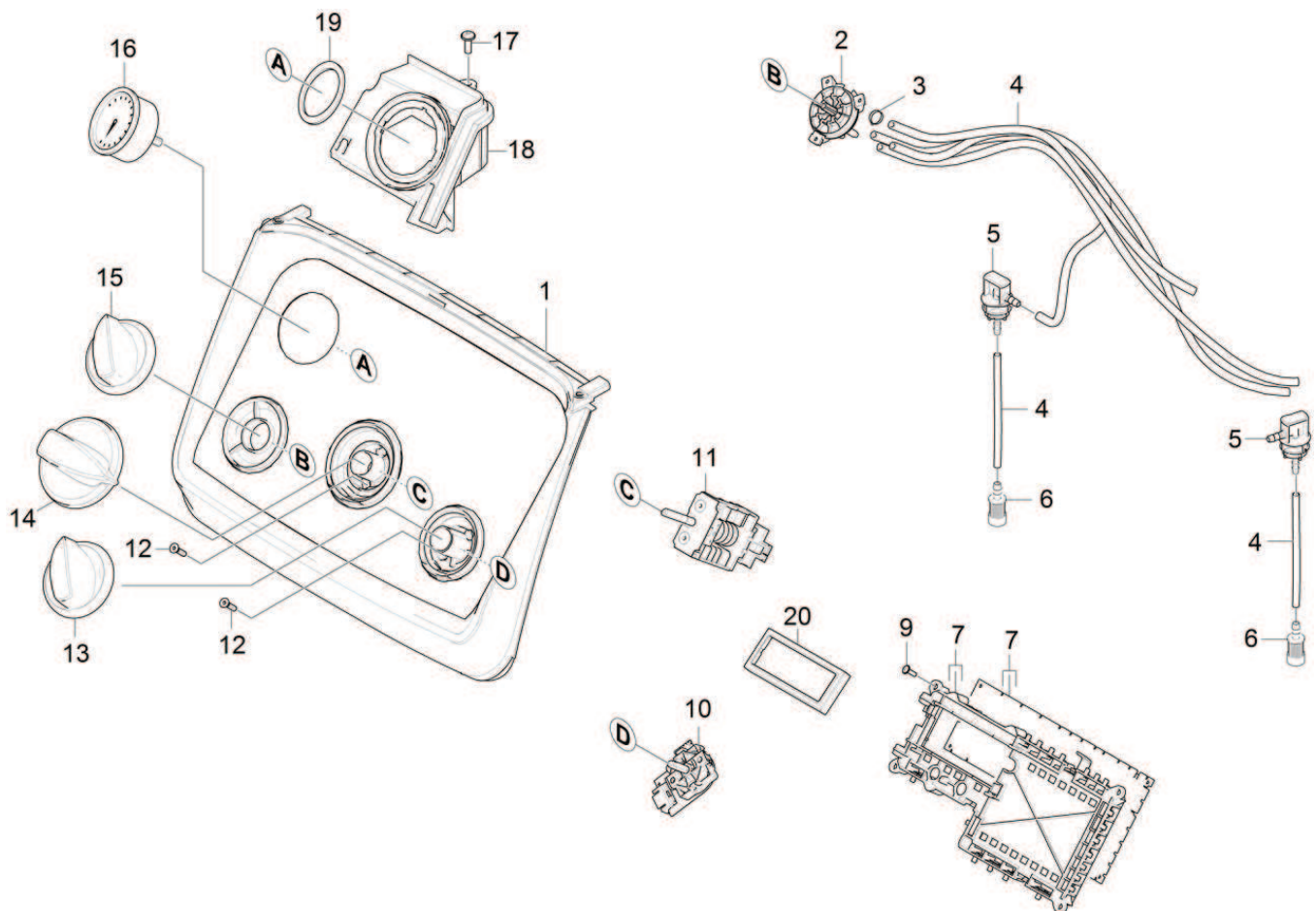


90 Control panel

Professional \ High pressure cleaner hotwater \ Electric motor \ HDS -E 8/16-4 M 12KW *EU-I \ Spare parts list HDS-E 8/16-4M 12KW \ Control panel

KÄRCHER



90 Control panel

Professional \ High pressure cleaner hotwater \ Electric motor \ HDS -E 8/16-4 M 12KW *EU-I \ Spare parts list HDS-E 8/16-4M 12KW \ Control panel

KÄRCHER

POS	Article no.	Description	Quantity	Unit	Foot note text
1	4.841-334.0	Control panel only for replacement	1.000	ST	
12	7.305-019.0	Countersunk screw M4x16 -8.8-R2R (In6Rd	4.000	ST	
6	5.731-638.0	Filter with weight	2.000	ST	
7	2.885-335.0	Frame circuit board complete	1.000	ST	
13	5.321-847.0	Handle	1.000	ST	
15	5.321-844.0	Handle	1.000	ST	
14	5.321-848.0	Handle	1.000	ST	
18	5.044-850.0	Holder pressure gauge	1.000	ST	
4	6.391-341.0	Hose chemistry DN 6	1.000	M	TO ORDER AS CUT GOODS
3	6.388-559.0	Hose clip	4.000	ST	
19	5.363-721.0	Joint ring	1.000	ST	
5	5.132-134.0	Plug	2.000	ST	
16	4.423-020.0	Pressure gauge only for replacement 0-25	1.000	ST	
2	4.063-842.0	Proportioning valve chemistry	1.000	ST	
17	7.303-106.0	Screw 4x12 -10.9-R2R (IN6RD)	1.000	ST	
9	7.303-106.0	Screw 4x12 -10.9-R2R (IN6RD)	2.000	ST	
20	5.363-800.0	Seal circuit board LED	1.000	ST	
11	6.630-421.3	Switch program selection	1.000	ST	
10	4.630-005.0	Switch temperature only for replacement	1.000	ST	