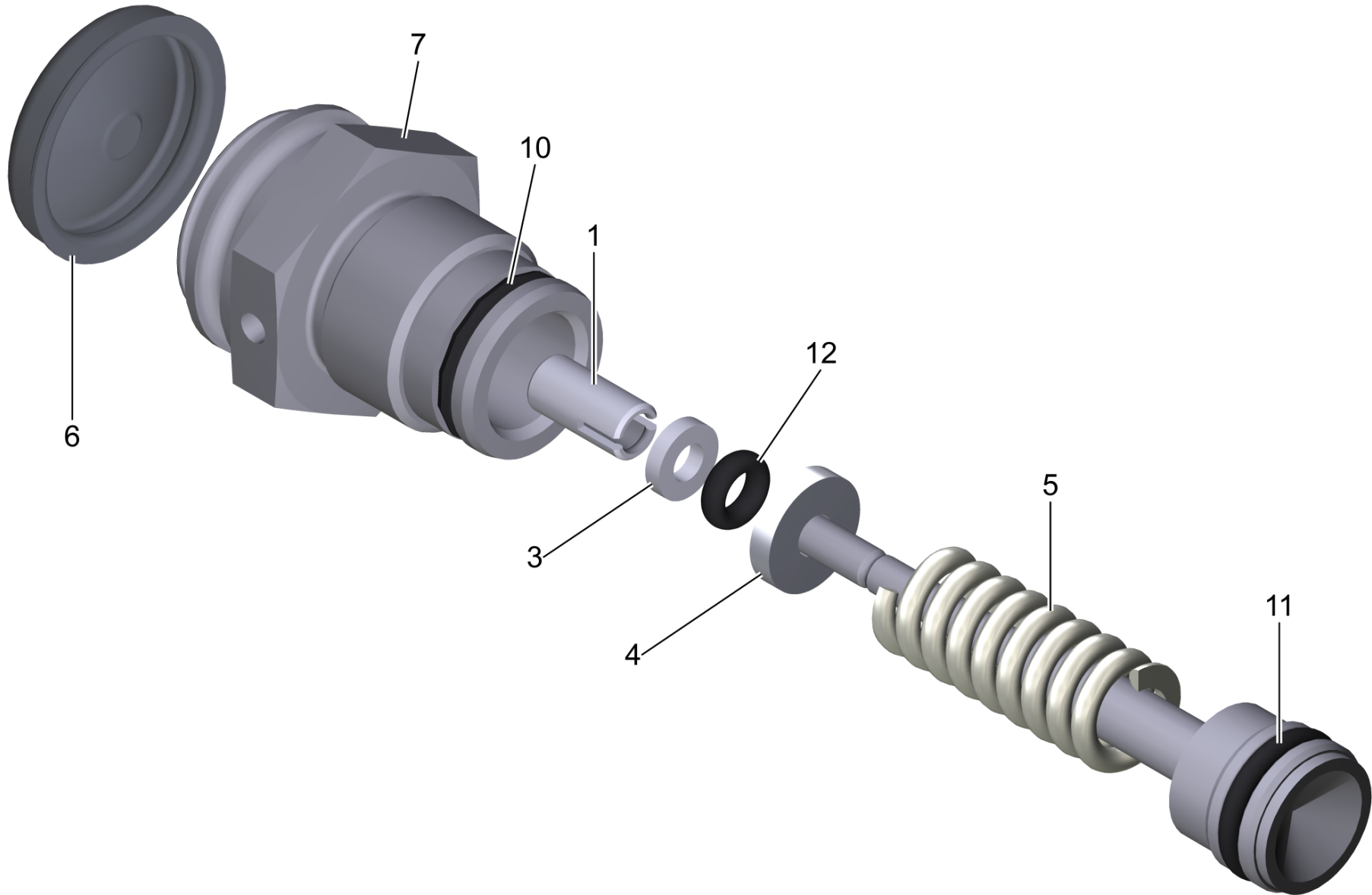


3 Spare parts set control piston for replacement (2.883-988.3)

Professional \ High pressure cleaner cold water \ Electric motor \ HD 10/25 S *EUR-II \ Spare parts list HD 10/25 S \ Pump set \ Cylinder head \ Spare parts set control piston for replacement



3 Spare parts set control piston for replacement (2.883-988.3)

Professional \ High pressure cleaner cold water \ Electric motor \ HD 10/25 S *EUR-II \ Spare parts list HD 10/25 S \ Pump set \ Cylinder head \ Spare parts set control piston for replacement

KÄRCHER

POS	Article no.	Description	Quantity	Unit
6	5.367-003.0	Diaphragm	1	PC
	Item text2: 28839880			
5	5.332-511.0	Helical spring	1	PC
	Item text2: 28839880			
12	6.363-241.0	O-Ring seal 2,90x1,78	1	PC
	Item text2: 28839880			
11	6.363-611.0	O-Ring seal 8,73 x 1,78 -NBR	1	PC
	Item text2: 28839880			
10	6.363-615.0	O-Ring seal 11 x 1,5 -NBR70	1	PC
	Item text2: 28839880			
7	5.411-162.0	Screw plug	1	PC
	Item text2: 28839880			
1	5.110-947.0	Sleeve	1	PC
	Item text2: 28839880			
3	5.114-513.0	Supportring	1	PC
	Item text2: 28839880			
4	5.115-999.0	Washer	1	PC
	Item text2: 28839880			