

Spare parts list

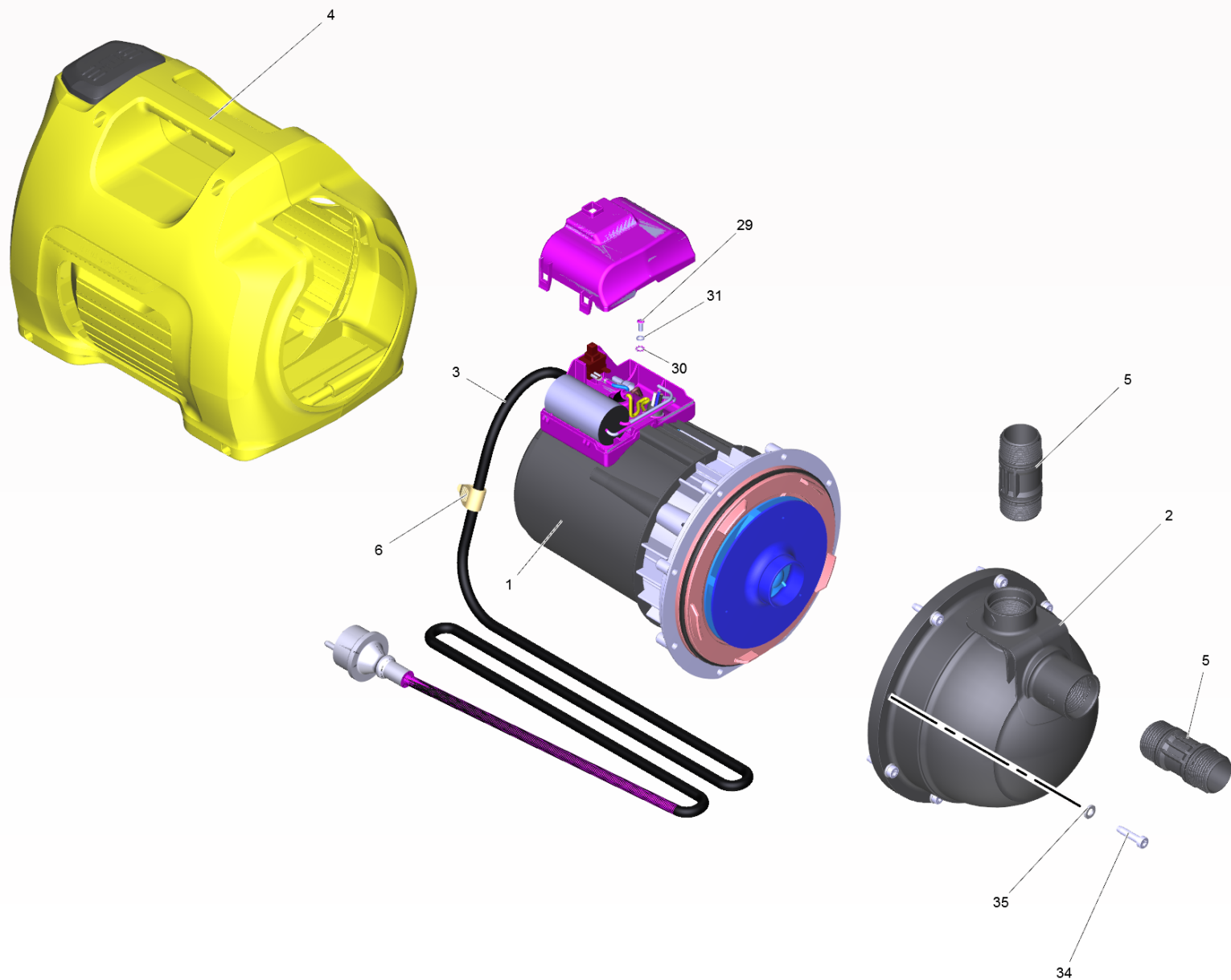
(1.645-351.0) BP 3 Garden *EU

Table of contents

BP 3 Garden *EU (1.645-351.0)	3
Spare parts list BP3 G (5.973-038.0)	4
1 Drive components BP 3 G	6
2 Pump head completely BP 3 G	8
2 Injector completely BP 3 H&G (4.645-469.0)	10
3 Electronic components BP 2G + 3G	12
4 Housing completely BP 3 G	14
999 Housing set for replacement Entry (4.645-566.0)	16
5 Adapter connection (6.997-473.0)	18

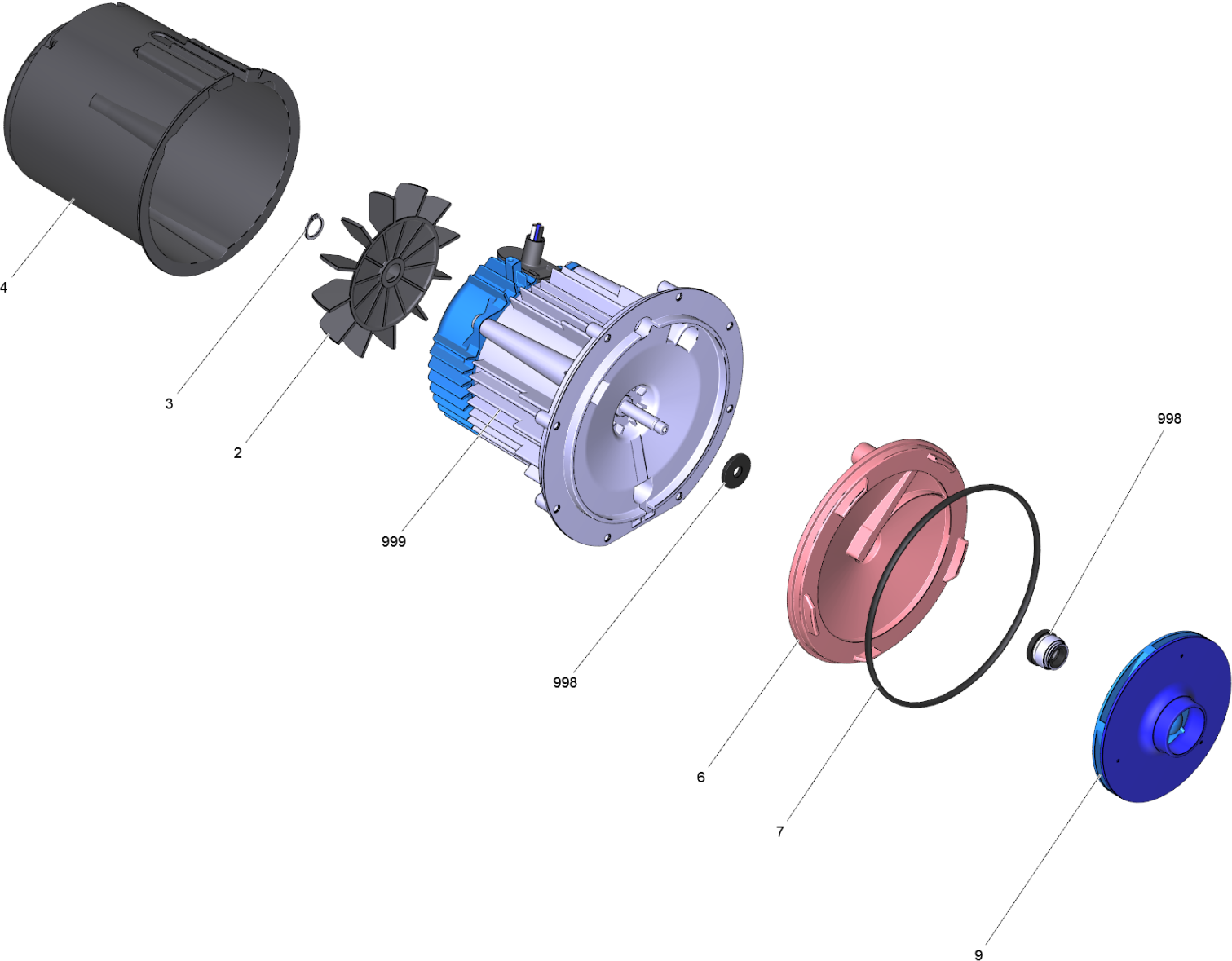
BP 3 Garden *EU (1.645-351.0)

POS	Article no.	Description	Quantity	Unit
0	5.973-038.0	Spare parts list BP3 G	1.000	ST



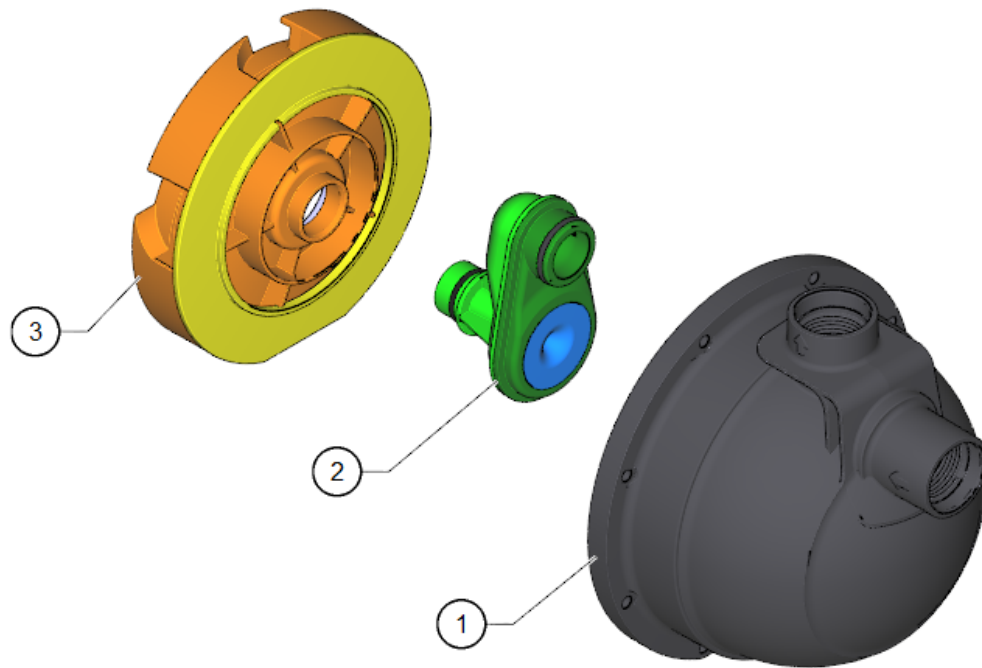
Spare parts list BP3 G (5.973-038.0)

POS	Article no.	Description	Quantity	Unit
5	6.997-473.0	Adapter connection	2.000	ST
6	5.645-426.0	Cable clip	1.000	ST
34	7.306-143.0	Cylinder head screw M6x25 -A4-70 ISO 47	8.000	ST
1		Drive components BP 3 G	1.000	ST
3		Electronic components BP 2G + 3G	1.000	ST
4		Housing completely BP 3 G	1.000	ST
2		Pump head completely BP 3 G	1.000	ST
29	6.645-666.0	Screw M4x8	1.000	ST
31	6.645-664.0	Spring washer B 4	1.000	ST
30	6.645-665.0	Toothed lock washer 4	1.000	ST
35	7.312-003.0	Washer 6 -200HV-A3E ISO 7090	8.000	ST



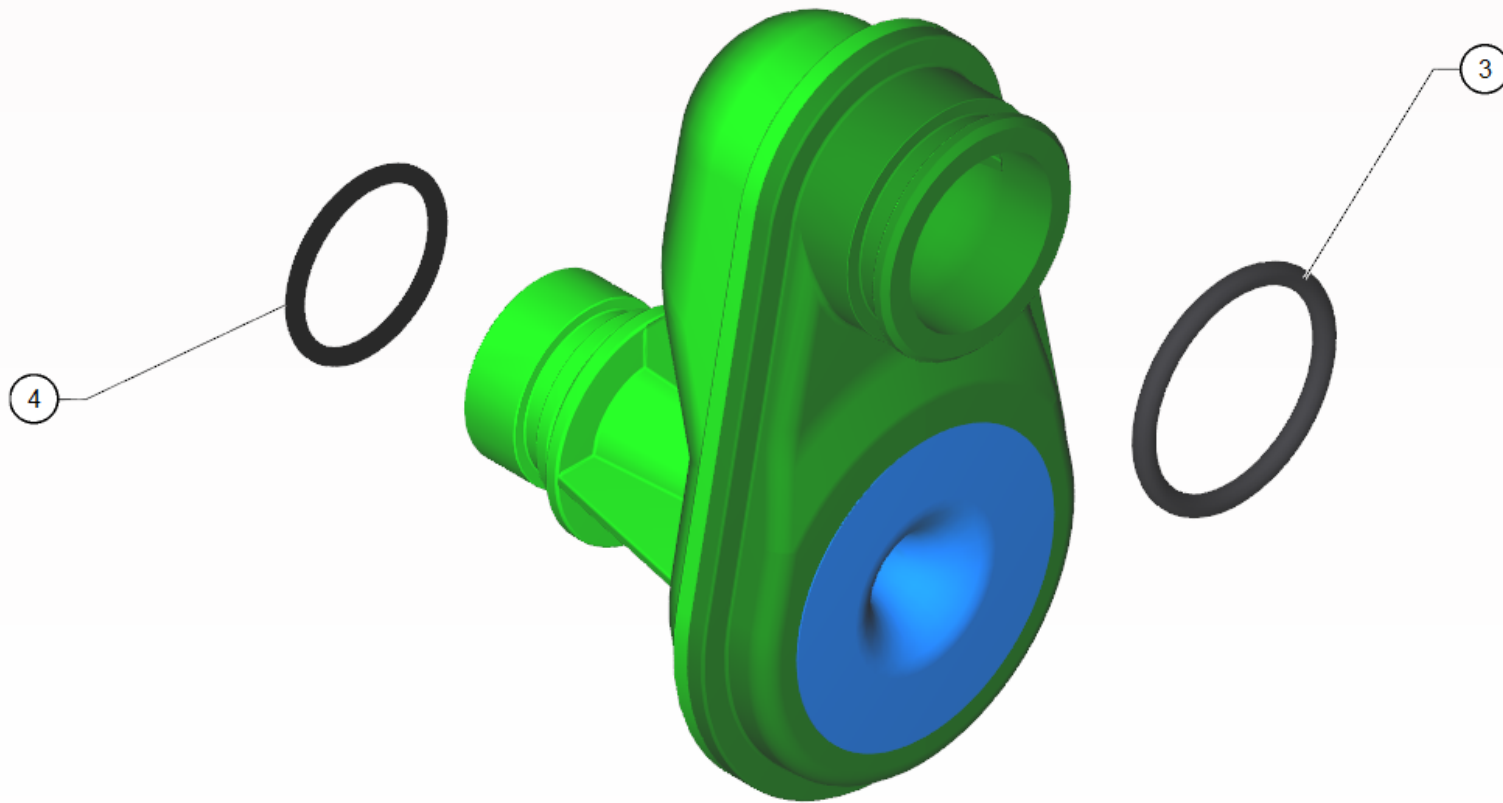
1 Drive components BP 3 G

POS	Article no.	Description	Quantity	Unit
4	5.645-829.0	Air circulation BP ENTRY	1.000	ST
6	5.645-750.0	Backplate hydraulic	1.000	ST
2	6.645-625.0	Blower	1.000	ST
9	4.645-471.0	Impeller completely	1.000	ST
3	7.343-015.0	Locking ring 15x1-FST-RF DIN 471	1.000	ST
999	4.645-573.0	Motor for replacement BP 3 Entry	1.000	ST
7	6.645-733.0	O-Ring seal 160x4	1.000	ST
998	4.645-569.0	Slip-ring set for replacement Entry, Mid	1.000	ST



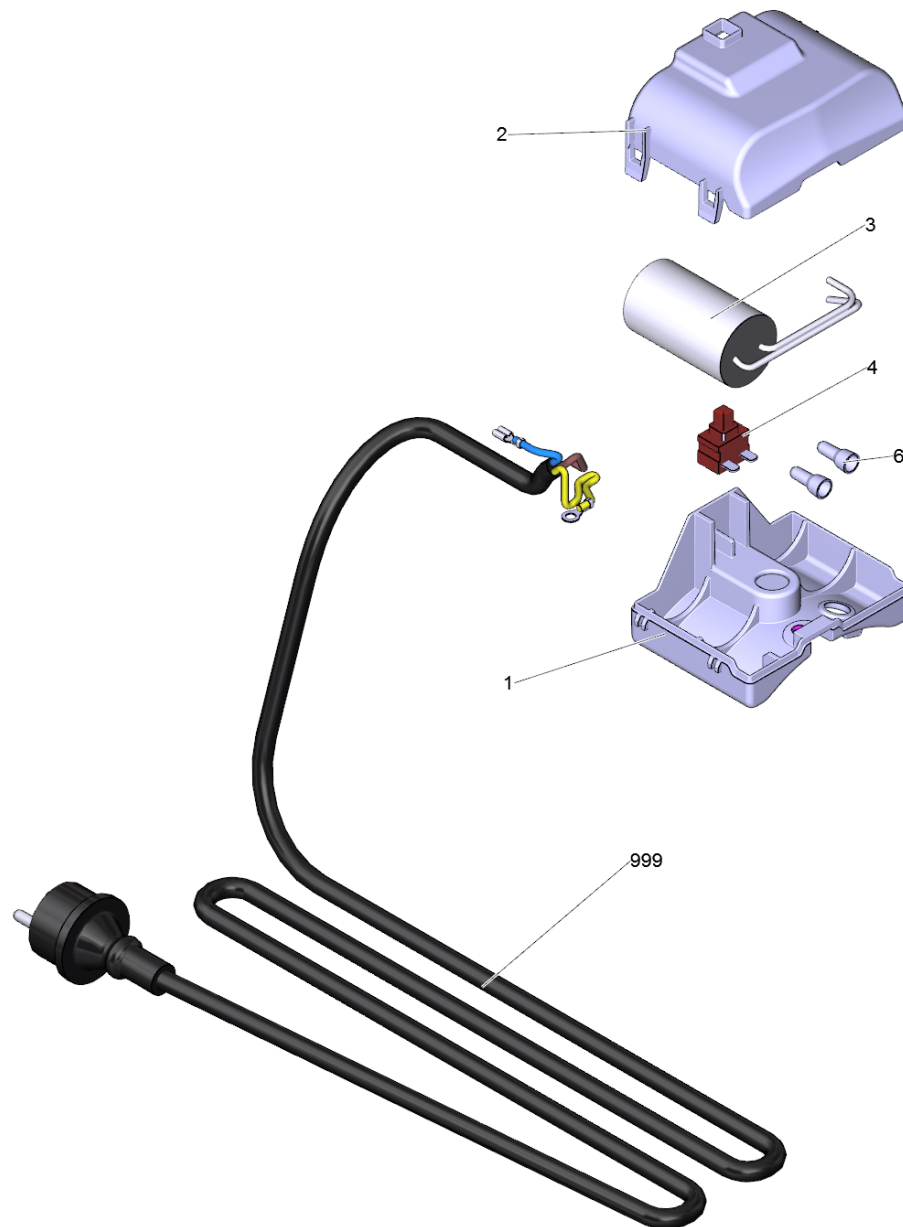
2 Pump head completely BP 3 G

POS	Article no.	Description	Quantity	Unit
3	4.645-464.0	Guide wheel completely	1.000	ST
2	4.645-469.0	Injector completely BP 3 H&G	1.000	ST
1	5.645-757.0	Pump head BP ENTRY	1.000	ST



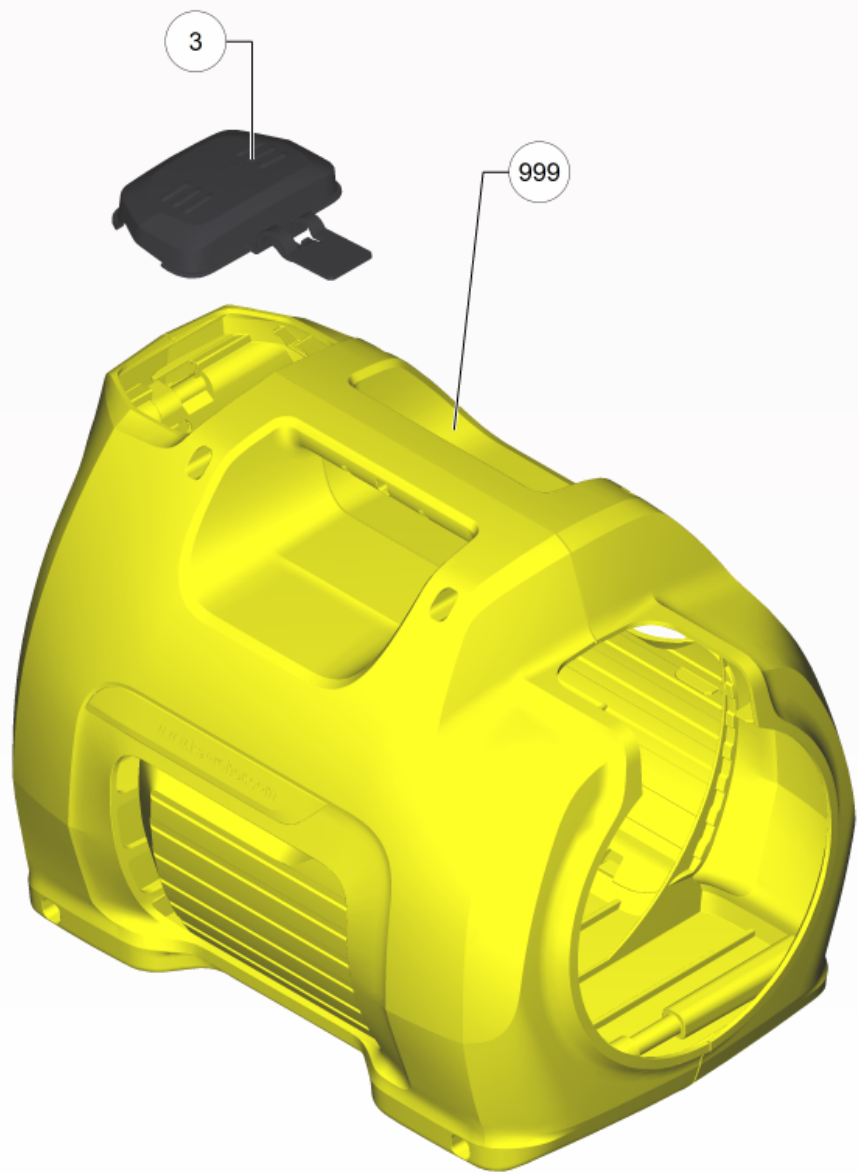
2 Injector completely BP 3 H&G (4.645-469.0)

POS	Article no.	Description	Quantity	Unit
4	6.645-627.0	O-Ring seal 22x2,5	1.000	ST
3	6.645-647.0	O-Ring seal 28x3	1.000	ST



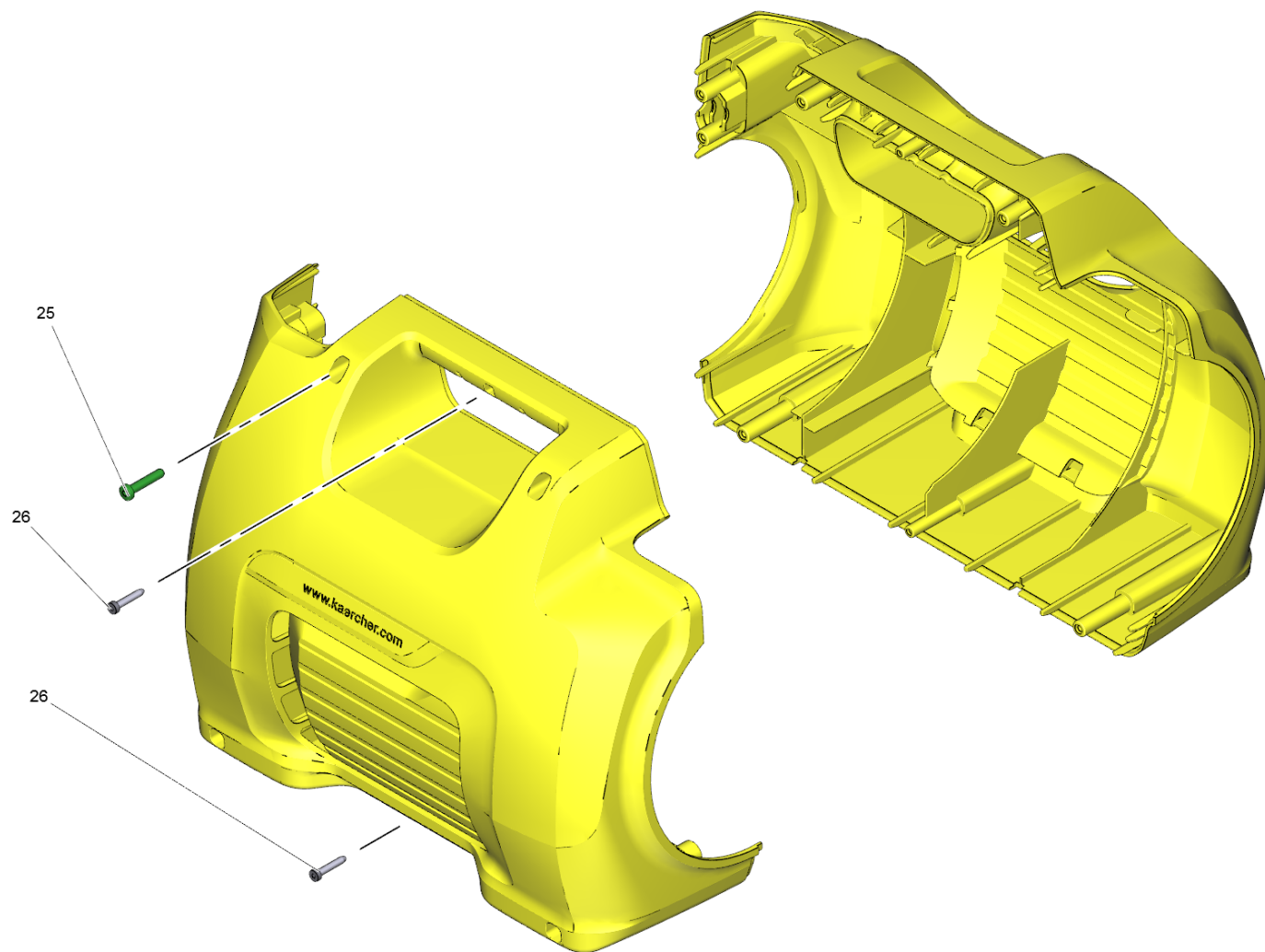
3 Electronic components BP 2G + 3G

POS	Article no.	Description	Quantity	Unit
5	4.645-568.0	Cable with plug for replacement Entry	1.000	ST
999	4.645-568.0	Cable with plug for replacement Entry	1.000	ST
3	6.645-654.0	Capacitor 16µF P2	1.000	ST
1	5.645-803.0	Electrical box bottom part	1.000	ST
2	5.645-804.0	Electrical box cover	1.000	ST
6	6.645-006.0	End terminal	2.000	ST
4	6.645-657.0	Switch	1.000	ST



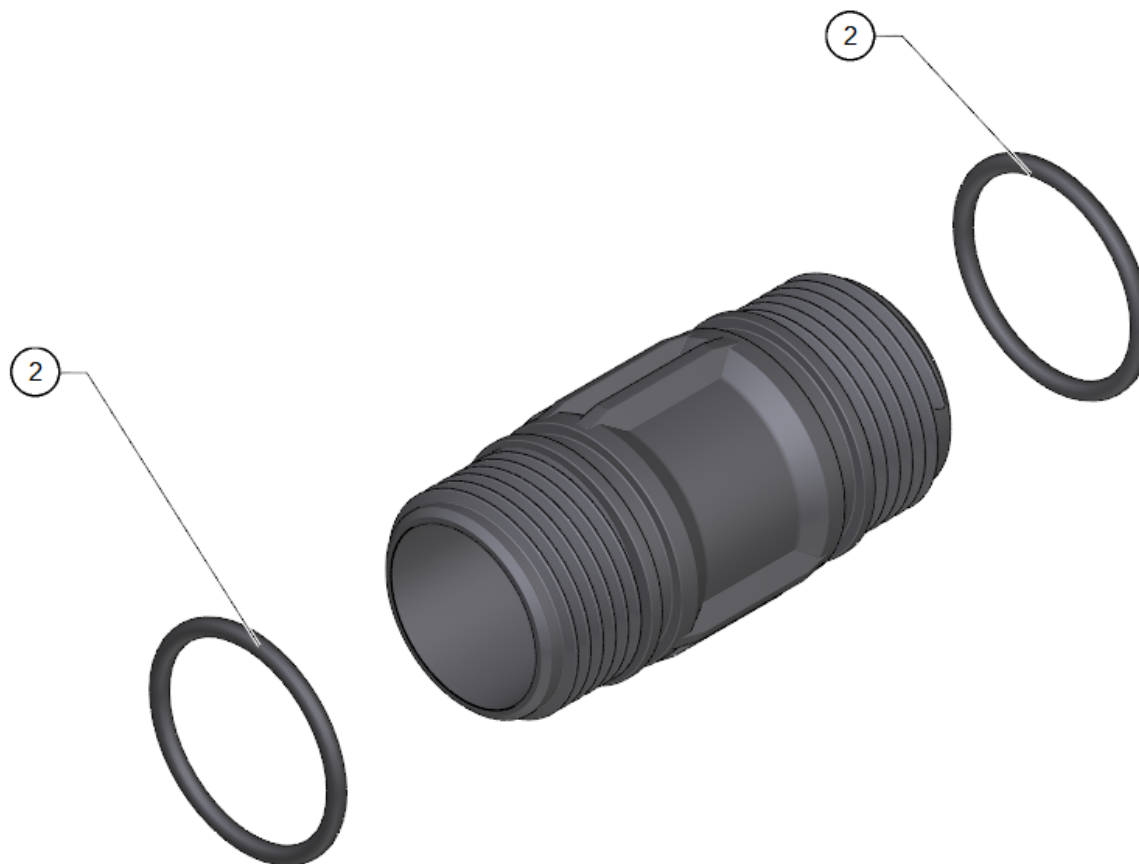
4 Housing completely BP 3 G

POS	Article no.	Description	Quantity	Unit
3	5.645-760.0	Cover switch	1.000	ST
999	4.645-566.0	Housing set for replacement Entry	1.000	ST



999 Housing set for replacement Entry (4.645-566.0)

POS	Article no.	Description	Quantity	Unit
26	6.303-245.0	Cylinder head screw 3X18-ST-A2E	2.000	ST
25	9.086-173.0	Screw Hi-Lo d.4x22 Torx-d.7,5	6.000	ST



5 Adapter connection (6.997-473.0)

POS	Article no.	Description	Quantity	Unit
2	6.645-648.0	O-Ring seal 30x2,55	2.000	ST