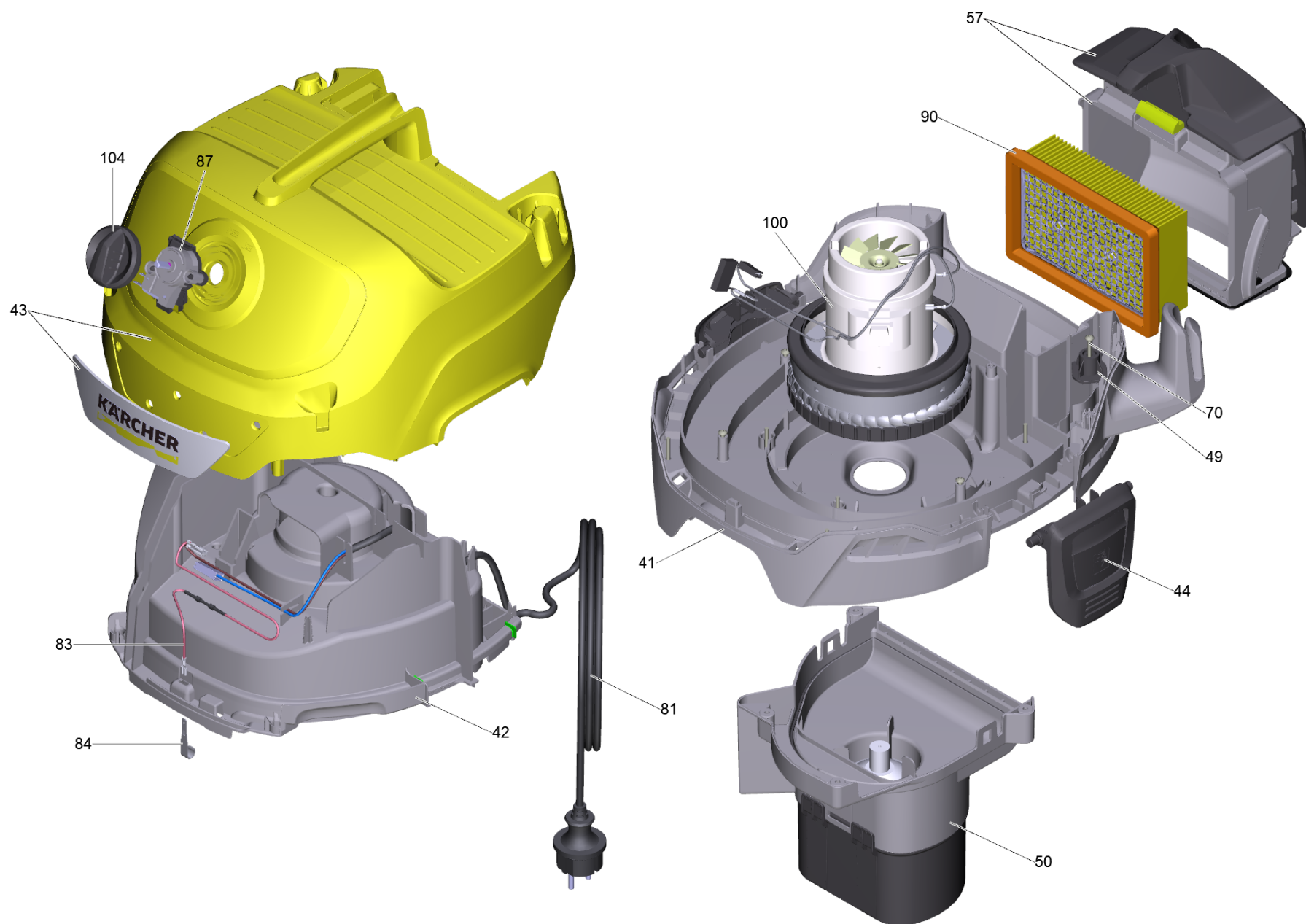


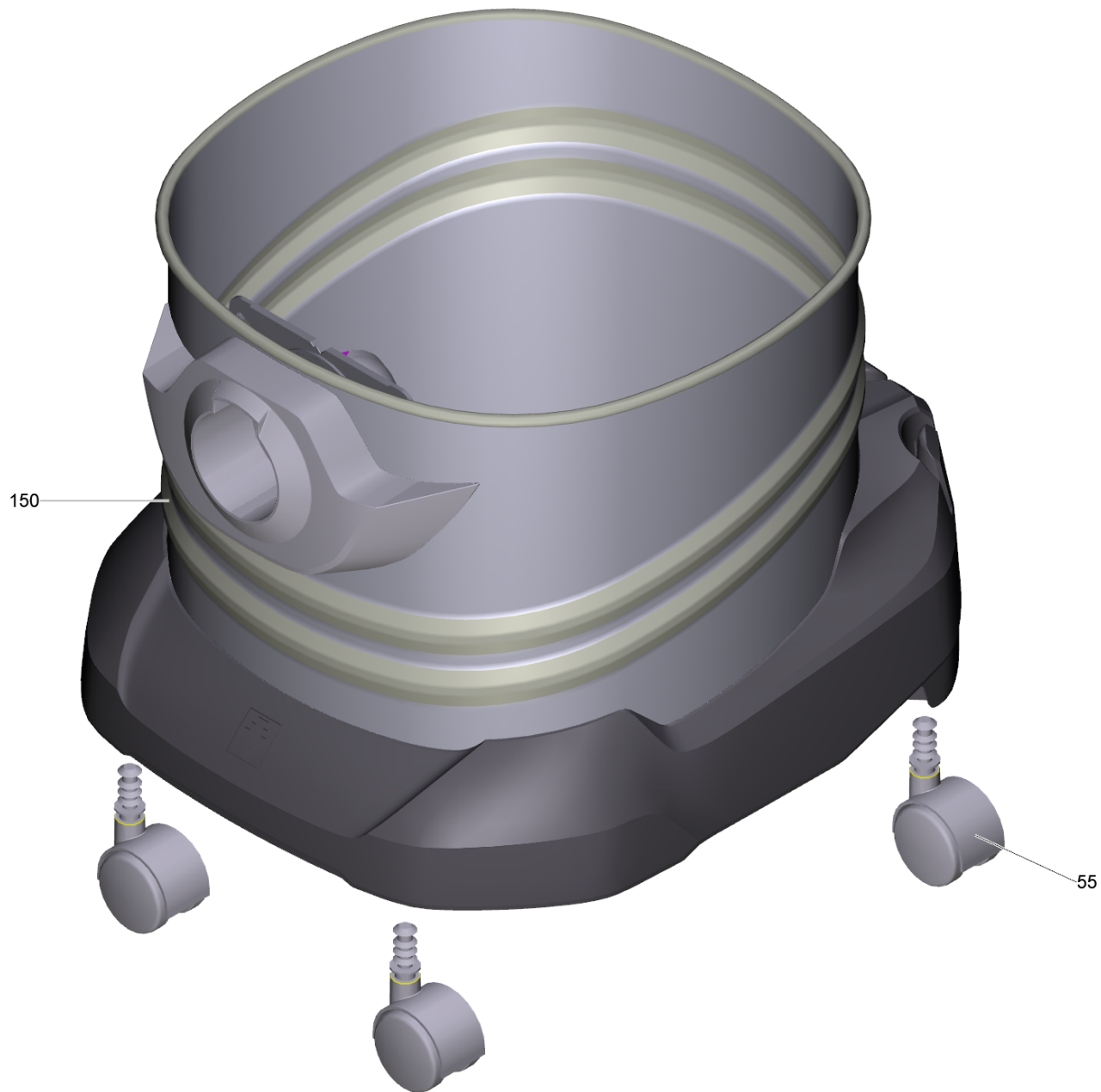
Spare parts list

(1.628-259.0) WD 4 S V-20/6/22 Car (YSY) *EU

Table of contents

WD 4 S V-20/6/22 Car (YSY) *EU (1.628-259.0)	3
4 Suction hose complete for replacement 2,2m - without handhold (4.440-135.3)	8
4 Suction hose complete for replacement AS 3,5m WD 4-6 (4.440-140.3)	10
41 Engine holder complete WD 4 (9.002-035.0)	12
50 Housing float complete	14
57 Filter box complete WD 4 (9.002-037.0)	16
150 Container stainless steel cpl. 20L SBBY- (4.628-019.3)	18
904 Vacuum kit for power tools WD 2St. (2.863-112.0)	20





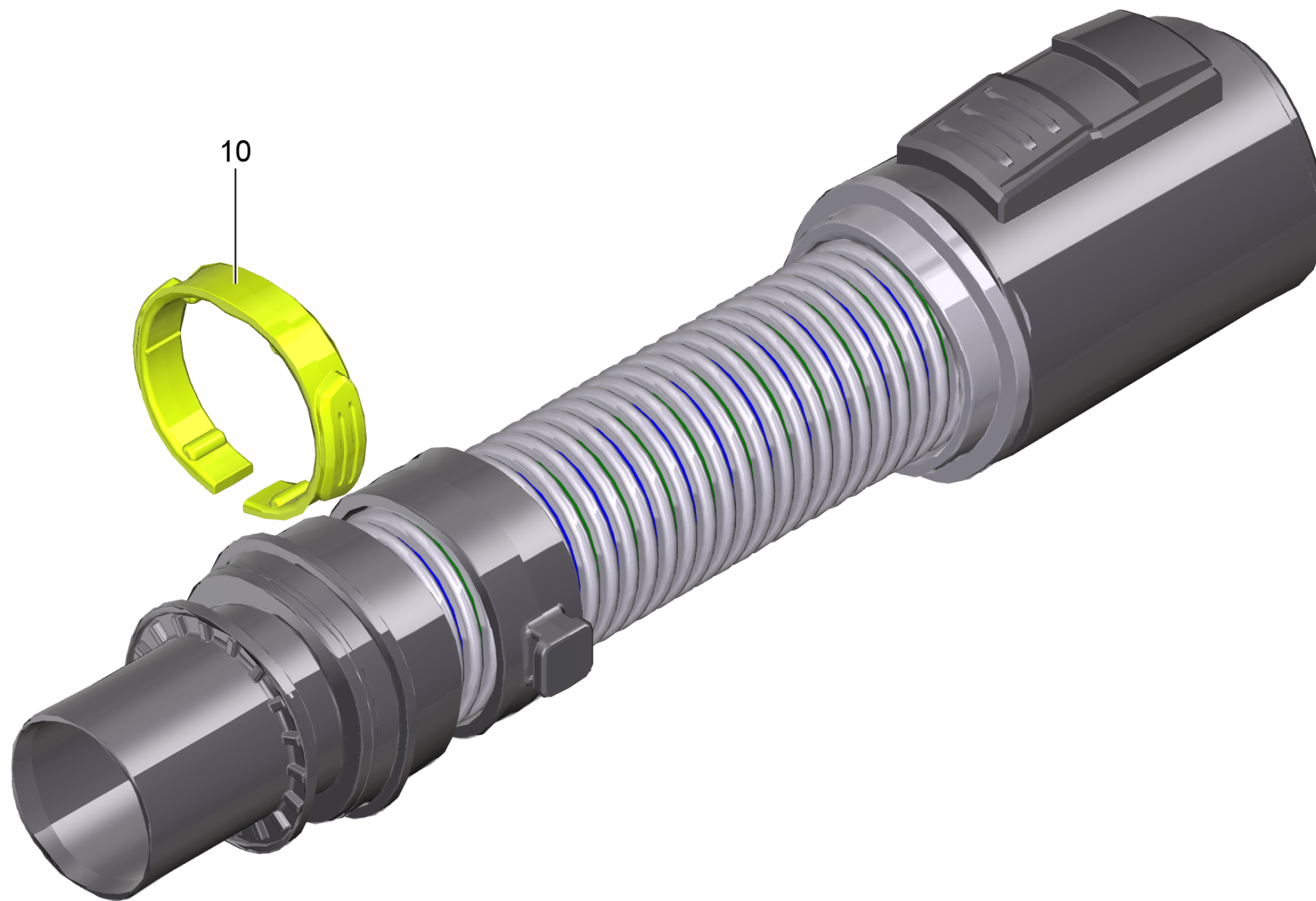


WD 4 S V-20/6/22 Car (YSY) *EU (1.628-259.0)

POS	Article no.	Description	Quantity	Unit
42	9.038-268.0	Air circulation	1	PC
100	4.624-433.3	Blower motor complete for replacement 1000W KCL	1	PC
81	9.084-154.0	Cable H05V-F 2X0,75 A2204 *EU	1	PC
83	9.084-172.0	Cable set ESD	1	PC
901	2.863-316.0	Car nozzle	1	PC
55	6.435-353.0	Castor D 42	4	PC
44	5.628-085.0	Closure black WD 4	2	PC
905	9.048-061.0	Connecting sleeve	1	PC
150	4.628-019.3	Container stainless steel cpl. 20L SBBY-	1	PC
43	4.628-023.3	Cover complete for replacement WD 4-Y	1	PC
8	6.900-385.0	Crevice nozzle DN35	1	PC
900	2.863-306.0	Crevice nozzle extra long WD	1	PC
906	2.863-234.0	Drill Dust Catcher WD	1	PC
87	9.002-408.0	Electrical box for replacement WD 4	1	PC
41	9.002-035.0	Engine holder complete WD 4	1	PC
903	2.863-305.0	Extension suction hose 3,5m	1	PC
5	2.863-308.0	Extension suction tube WD ID 35	2	PC
3	2.863-006.0	Filter bag fleece WD 4St.	1	PC
57	9.002-037.0	Filter box complete WD 4	1	PC
90	2.863-005.0	Flat-pleated filter WD	1	PC
9	4.629-013.0	Floor tool clip packaged	1	PC
908	2.863-012.0	Hand grip suction hose	1	PC
903	4.441-068.0	Hose extension packaged 1,5 m	1	PC
50		Housing float complete	1	PC
10	4.629-014.0	Insert wet floor nozzle packaged	1	PC
10	4.629-016.0	Mixing insert floor nozzle packaged	1	PC
104	9.037-750.0	Rotary switch black	1	PC
70	9.086-221.0	Screw ATF 4.1x22	12	PC
84	9.047-057.0	Spring ESD	1	PC
49	9.036-997.0	Strain relief	1	PC
902	2.863-221.0	Suction brush kit WD 2pc.	1	PC
4	4.440-135.3	Suction hose complete for replacement 2,2m - without handhold	1	PC
4	4.440-140.3	Suction hose complete for replacement AS 3,5m WD 4-6	1	PC

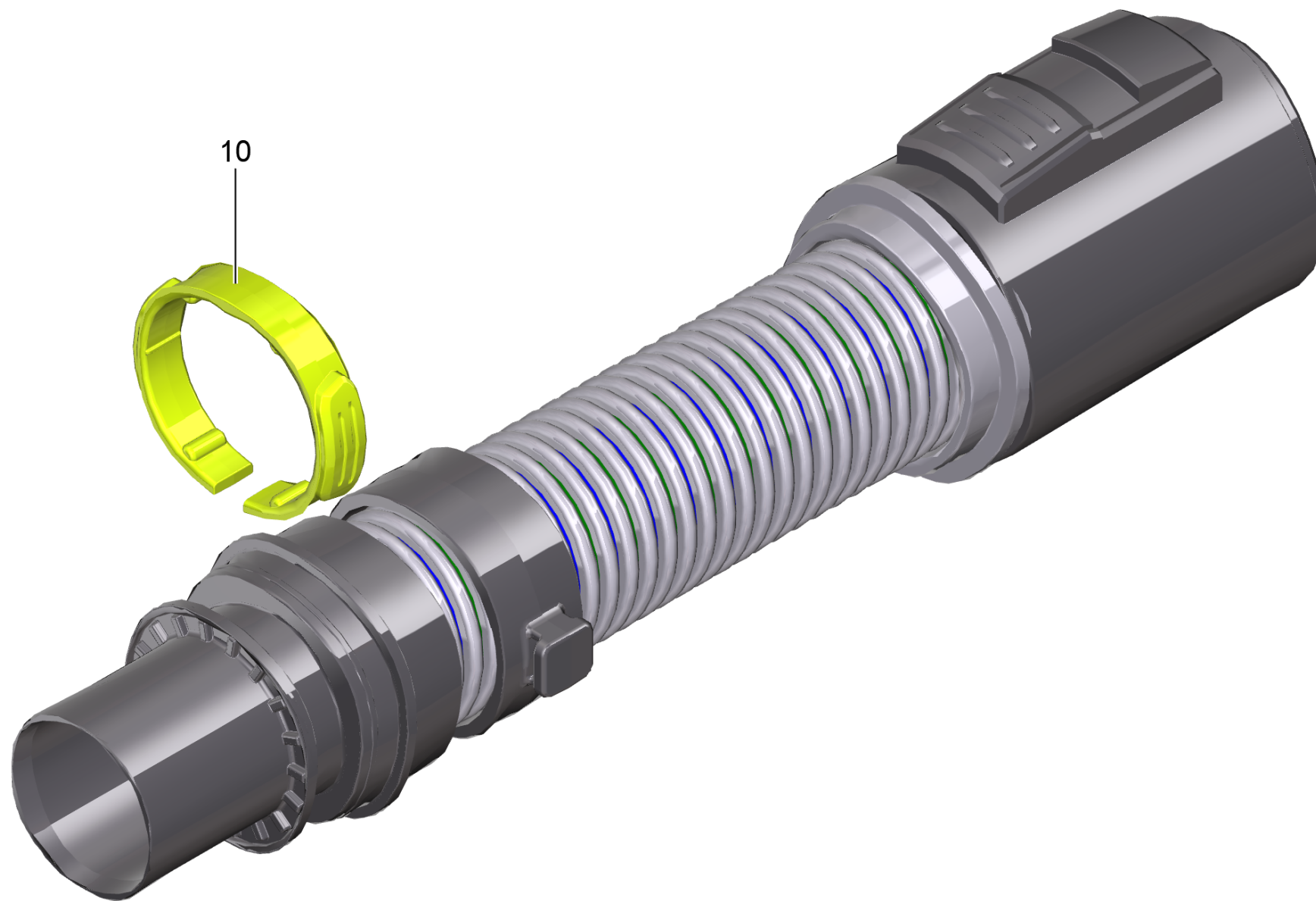
WD 4 S V-20/6/22 Car (YSY) *EU (1.628-259.0)

POS	Article no.	Description	Quantity	Unit
904	2.863-112.0	Vacuum kit for power tools WD 2St.	1	PC
907	2.863-000.0	Wet and dry nozzle switchable WD/SE	1	PC



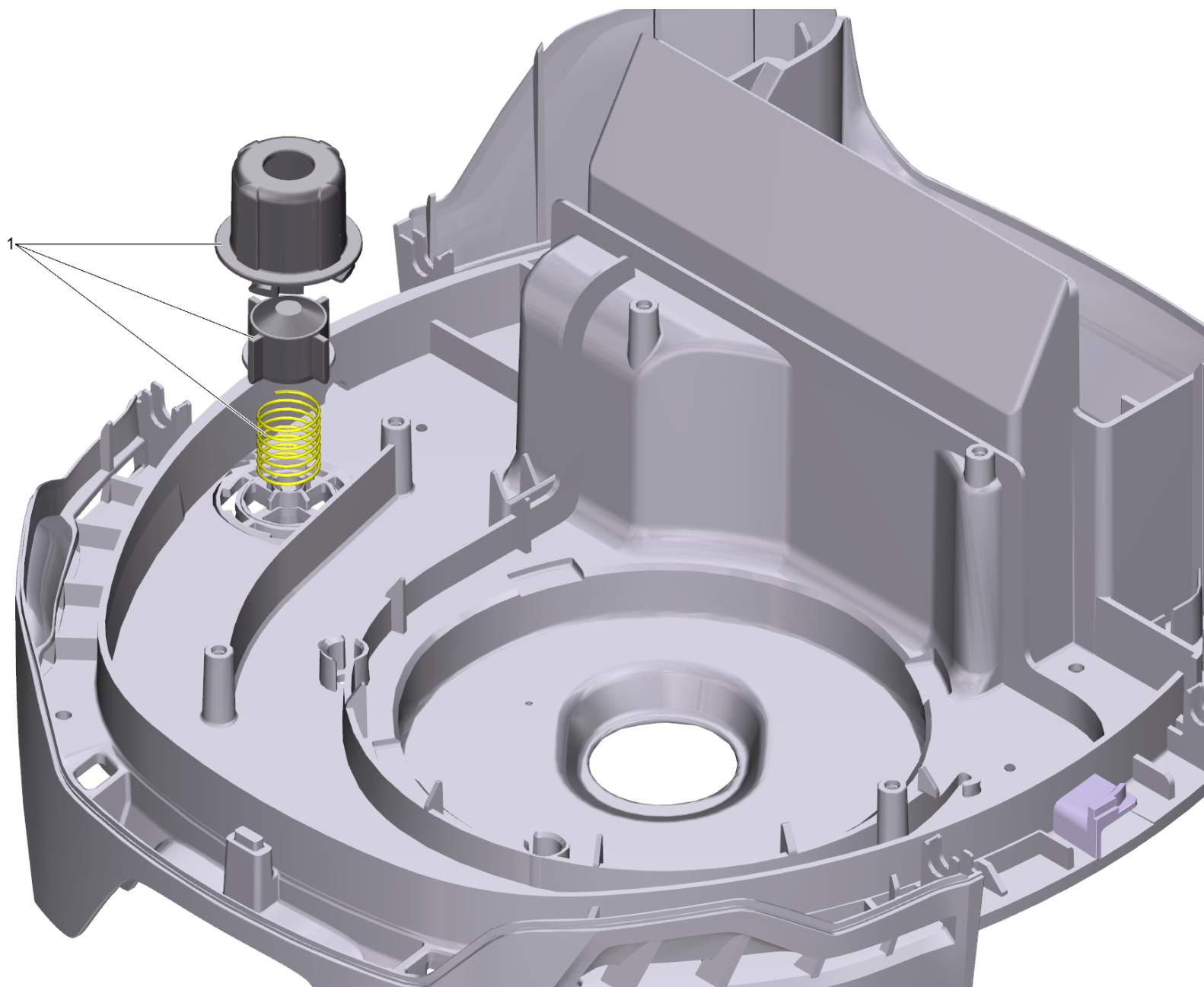
4 Suction hose complete for replacement 2,2m - without handhold (4.440-135.3)

POS	Article no.	Description	Quantity	Unit
10	6.645-688.0	Spring washer suction hose	1	PC



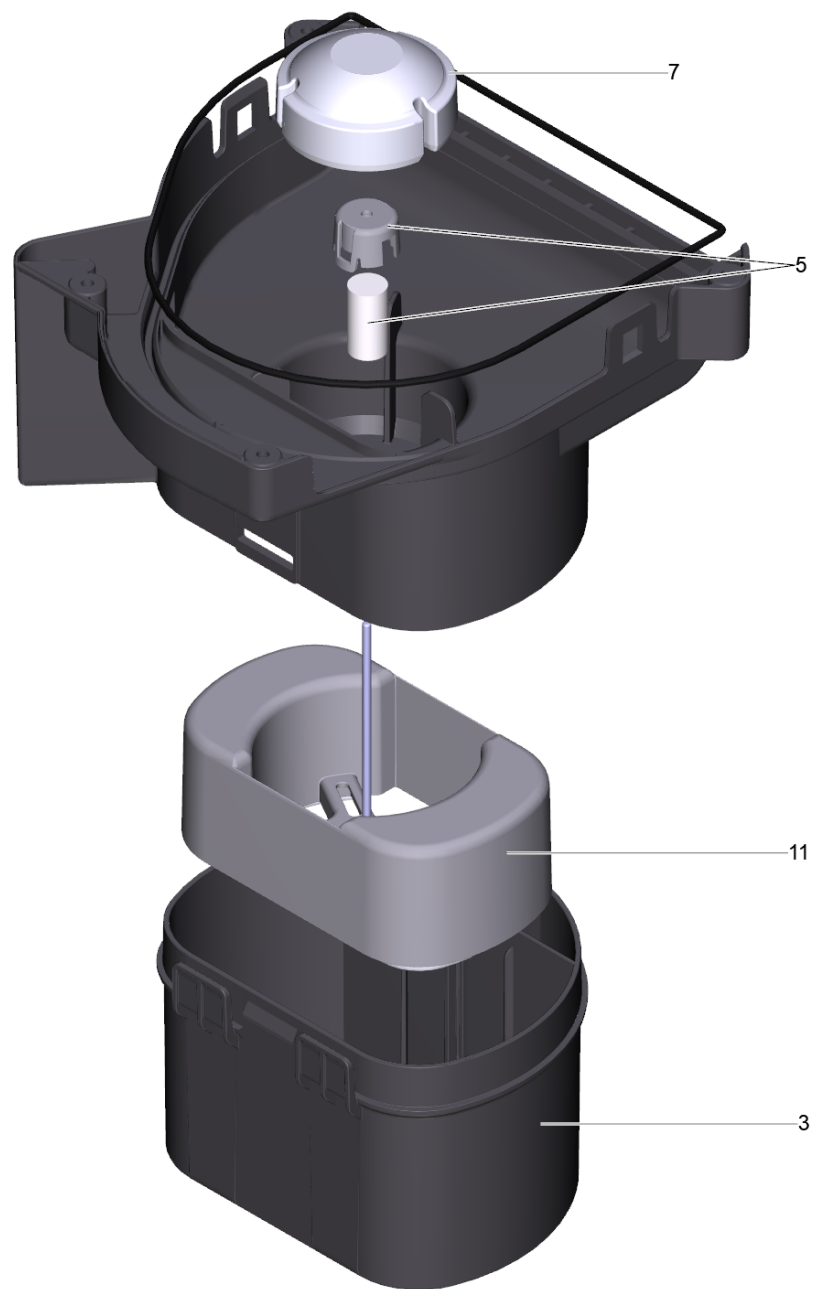
4 Suction hose complete for replacement AS 3,5m WD 4-6 (4.440-140.3)

POS	Article no.	Description	Quantity	Unit
10	6.645-688.0	Spring washer suction hose	1	PC



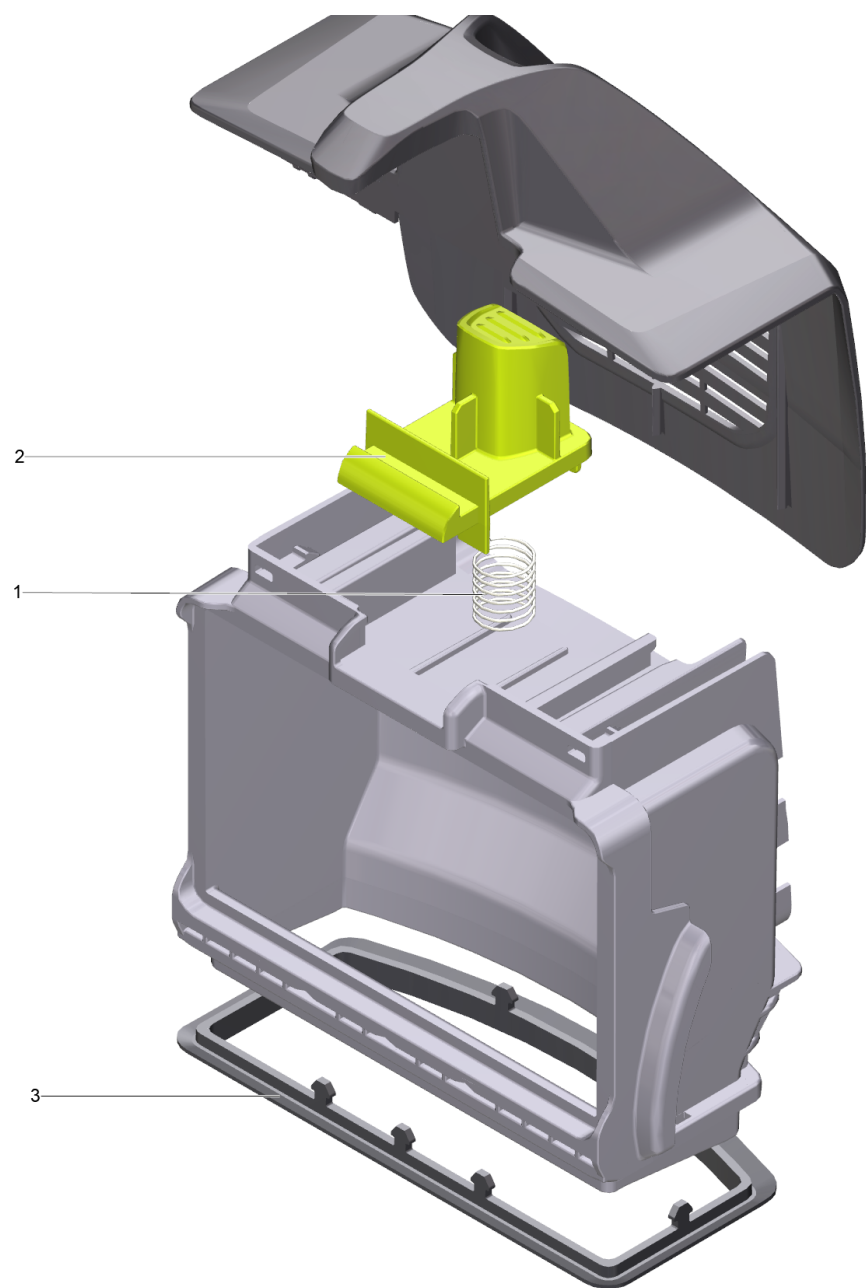
41 Engine holder complete WD 4 (9.002-035.0)

POS	Article no.	Description	Quantity	Unit
40	9.002-036.0	Safety valve complete WD 4	1	PC



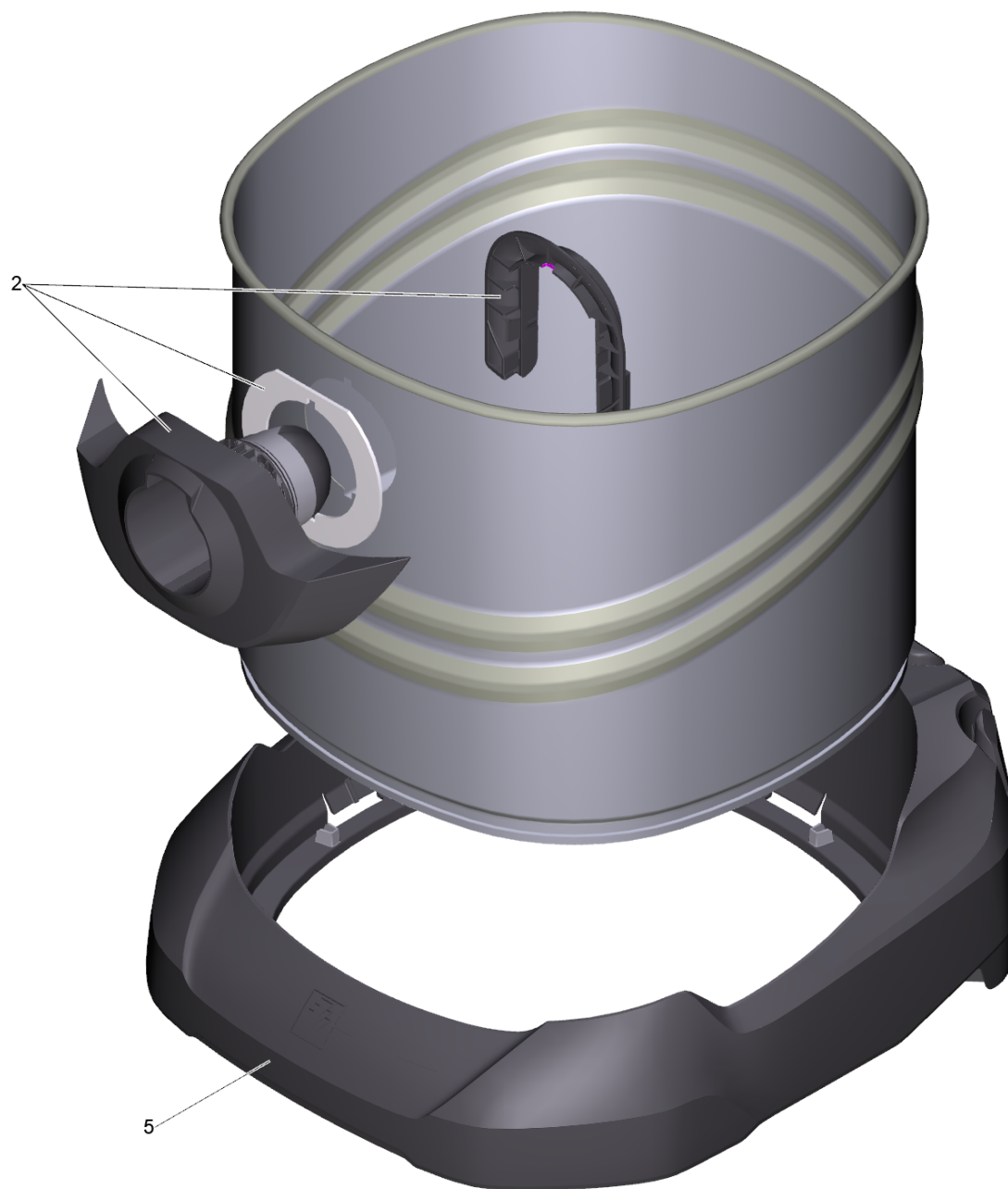
50 Housing float complete

POS	Article no.	Description	Quantity	Unit
3	9.038-264.0	Float cage	1	PC
11	9.002-032.0	Float complete WD 4	1	PC
7	9.038-070.0	Float valve	1	PC
5	9.002-034.0	Seal float complete WD 4	1	PC



57 Filter box complete WD 4 (9.002-037.0)

POS	Article no.	Description	Quantity	Unit
2	9.038-282.0	Fbox button WD4	1	PC
3	9.079-080.0	Fbox Sealing	1	PC
1	9.047-111.0	Spring WD	1	PC



150 Container stainless steel cpl. 20L SBBY- (4.628-019.3)

POS	Article no.	Description	Quantity	Unit
5	9.002-043.0	Bumper MV4 packed	1	PC
2	2.885-873.0	Set suction connection packaged	1	PC

904 Vacuum kit for power tools WD 2St. (2.863-112.0)

POS	Article no.	Description	Quantity	Unit
10	9.048-061.0	Connecting sleeve	1	PC
