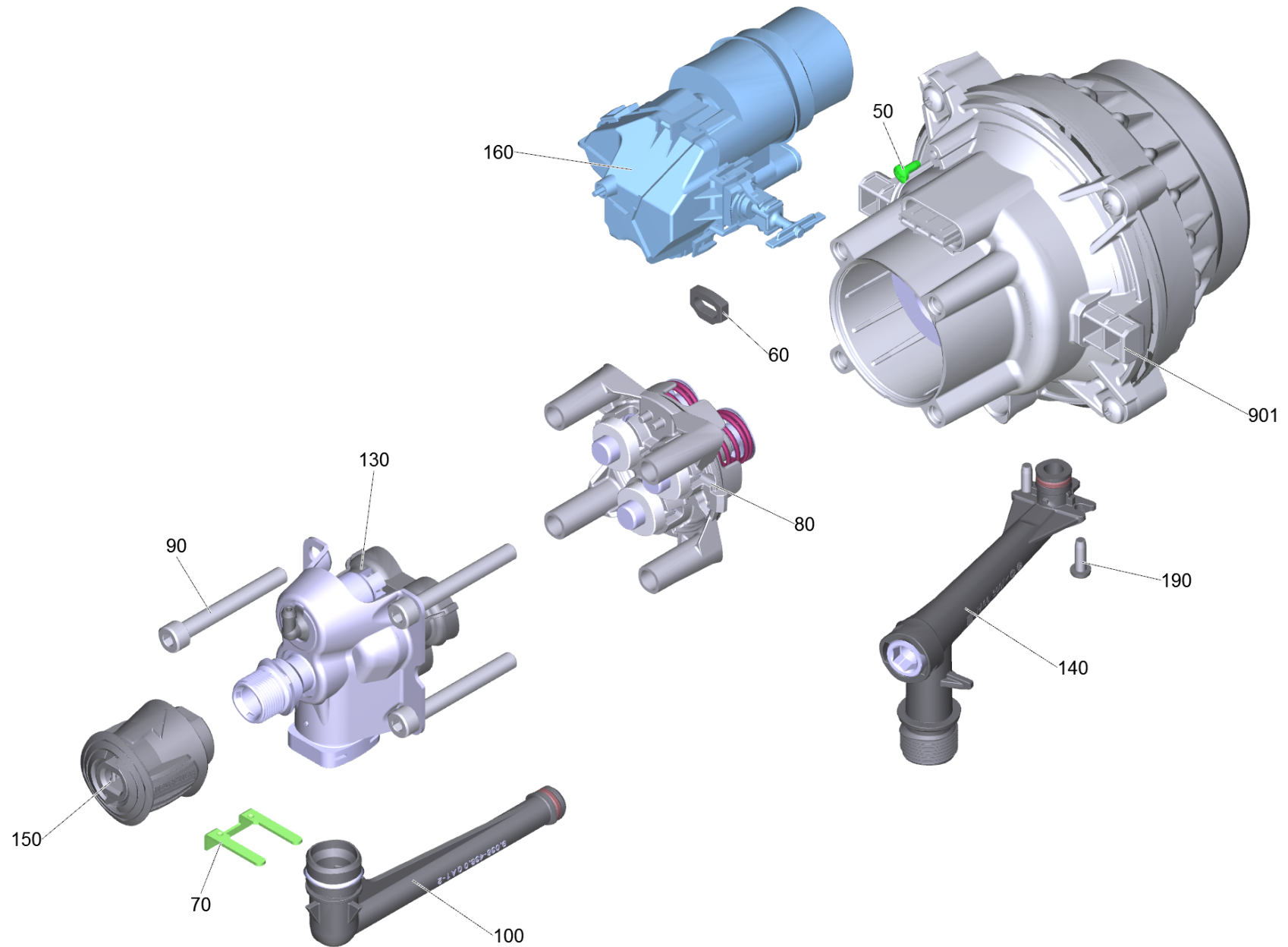


109 Pump set K4 Compact *AR

Home and Garden \ High pressure cleaner cold water \ Electric motor \ K 4 \ K 4 Compact *AR \ Pump set K4 Compact *AR



109 Pump set K4 Compact *AR

Home and Garden \ High pressure cleaner cold water \ Electric motor \ K 4 \ K 4 Compact *AR \ Pump set K4 Compact *AR

KÄRCHER

POS	Article no.	Description	Quantity	Unit
50	9.086-218.0	Screw M4X10 TORX T20 TAP-TITE THREAD	1	PC
60	9.048-071.0	Spacer - Seal	1	PC
70	9.039-148.0	Metal fork	1	PC
80		Piston guidance complete	1	PC
90	7.306-151.0	Cylinder head screw M8x65 -8.8-A2E ISO4	4	PC
100	9.013-623.3	High-pressure outlet K4 NCR	1	PC
130		Pump k3 Mod plastic (HR)	1	PC
140	4.100-705.0	Set suction socket for replacement	1	PC
150	4.470-041.0	High pressure quick-fitting pipe union A	1	PC
160	9.013-779.3	Electric box K4 Compact *AR	1	PC
190	7.303-039.0	Screw M5x16 -St-P2R (In6Rd)	2	PC
901	4.100-778.0	Motor complete for replacement K4 *CN	1	PC