

Spare parts list

(1.140-101.0) HE 6000 * EUROPA

Table of contents

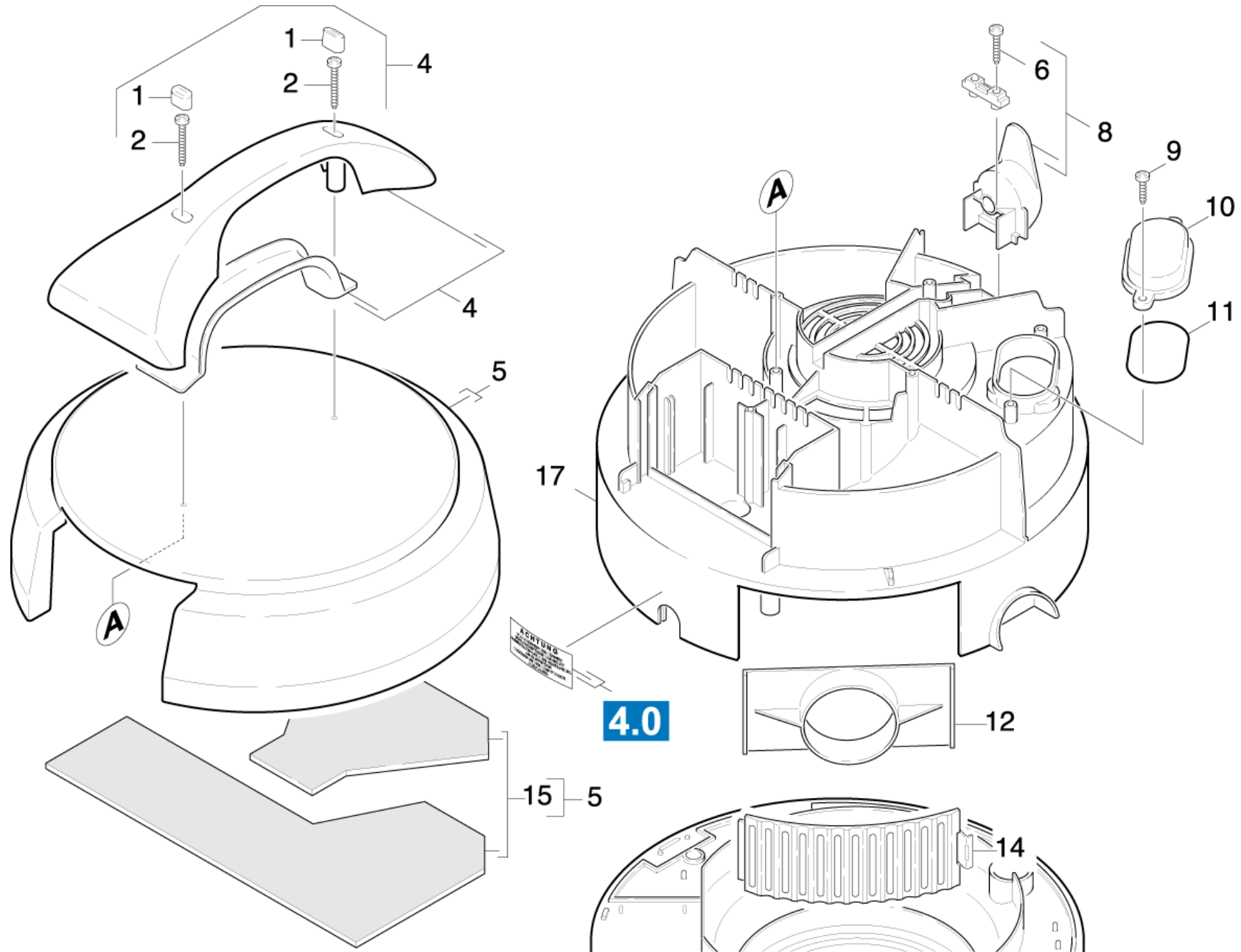
HE 6000 * EUROPA (1.140-101.0)	3
Spare parts list HE 6000 (5.958-131.0)	4
10 Top part individual parts	5
20 Electric parts	7
30 Hot water generator	9
40 Top part filter	12
50 Bottom part individual parts	14
60 Hose spray sucking HE 6000	16
70 Floor tool complete	18
71 Hand grip and pipe	19
1 Handhold complete (4.321-101.0)	21
4 Extension (4.127-009.0)	23
5 Nut right hand thread (4.310-010.0)	25
9 Hose stem (4.443-019.0)	27
3 Nut right hand thread (4.310-010.0)	29
10 Hose stem (4.443-019.0)	31
23 Extension (4.127-009.0)	33
72 Floor tool	35
1 Floor tool (4.130-121.0)	37
12 Hose clip 8,5-10,0 (6.389-882.0)	39
8 Hose clip 8,5-10,0 (6.389-882.0)	40
80 Window nozzle	41
24 Hose clip 8,5-10,0 (6.389-882.0)	43
90 Hand nozzle	44
91 Hand nozzle	45
92 Hand nozzle	47
5 Hose stem (4.443-019.0)	49
100 Carpet nozzle	51
101 Carpet nozzle	52
1 Carpet nozzle (4.130-124.0)	54
8 Spray nozzle yellow (5.765-079.0)	55
8 Spray nozzle black (5.765-080.0)	56

HE 6000 * EUROPA (1.140-101.0)

POS	Article no.	Description	Quantity	Unit
0	5.958-131.0	Spare parts list HE 6000	1	PC
	Item text2: 11401010			

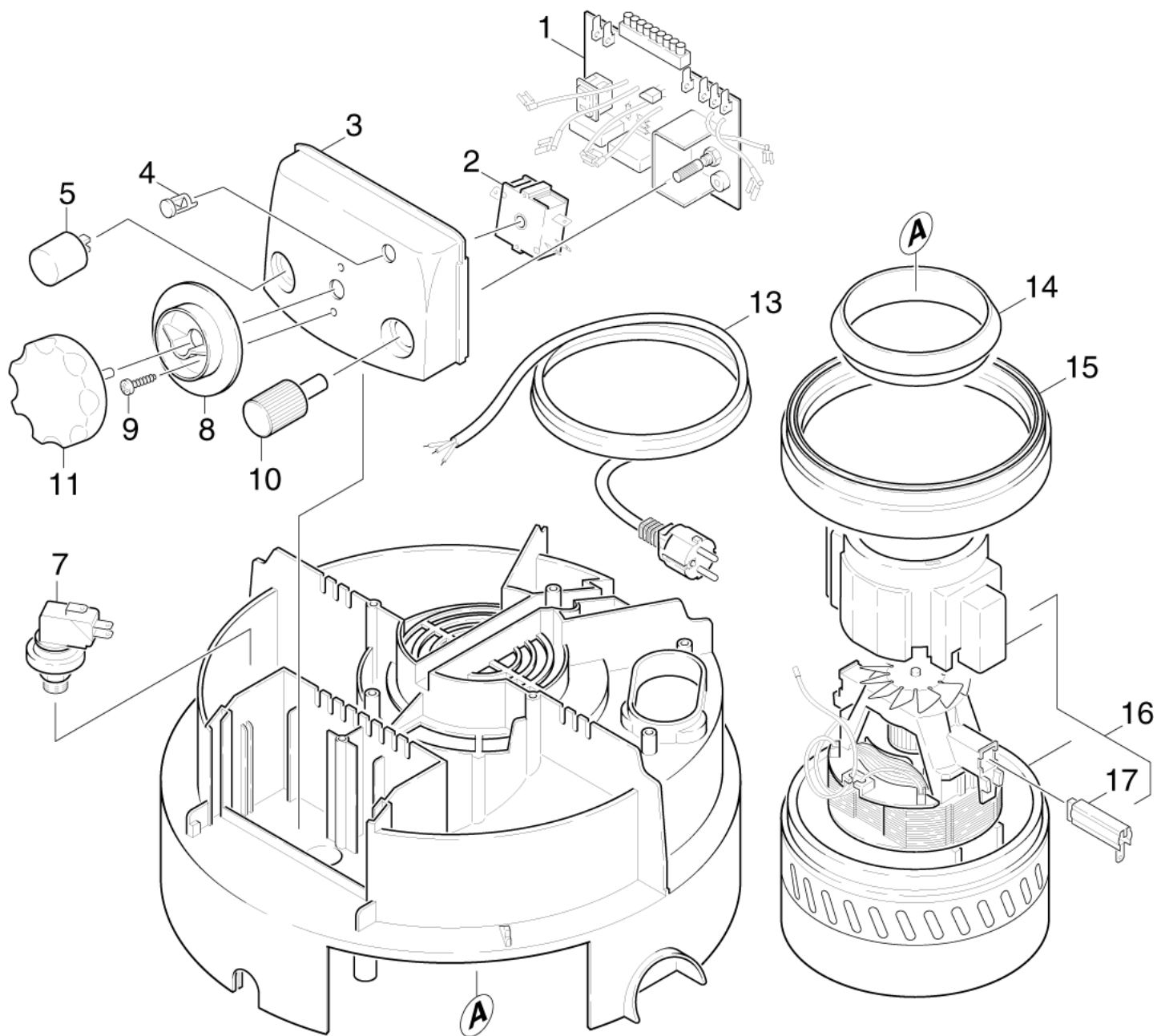
Spare parts list HE 6000 (5.958-131.0)

POS	Description	Quantity	Unit
10	Top part individual parts	1	PC
20	Electric parts	1	PC
30	Hot water generator	1	PC
40	Top part filter	1	PC
50	Bottom part individual parts	1	PC
60	Hose spray sucking HE 6000	1	PC
70	Floor tool complete	1	PC
80	Window nozzle	1	PC
90	Hand nozzle	1	PC
100	Carpet nozzle	1	PC



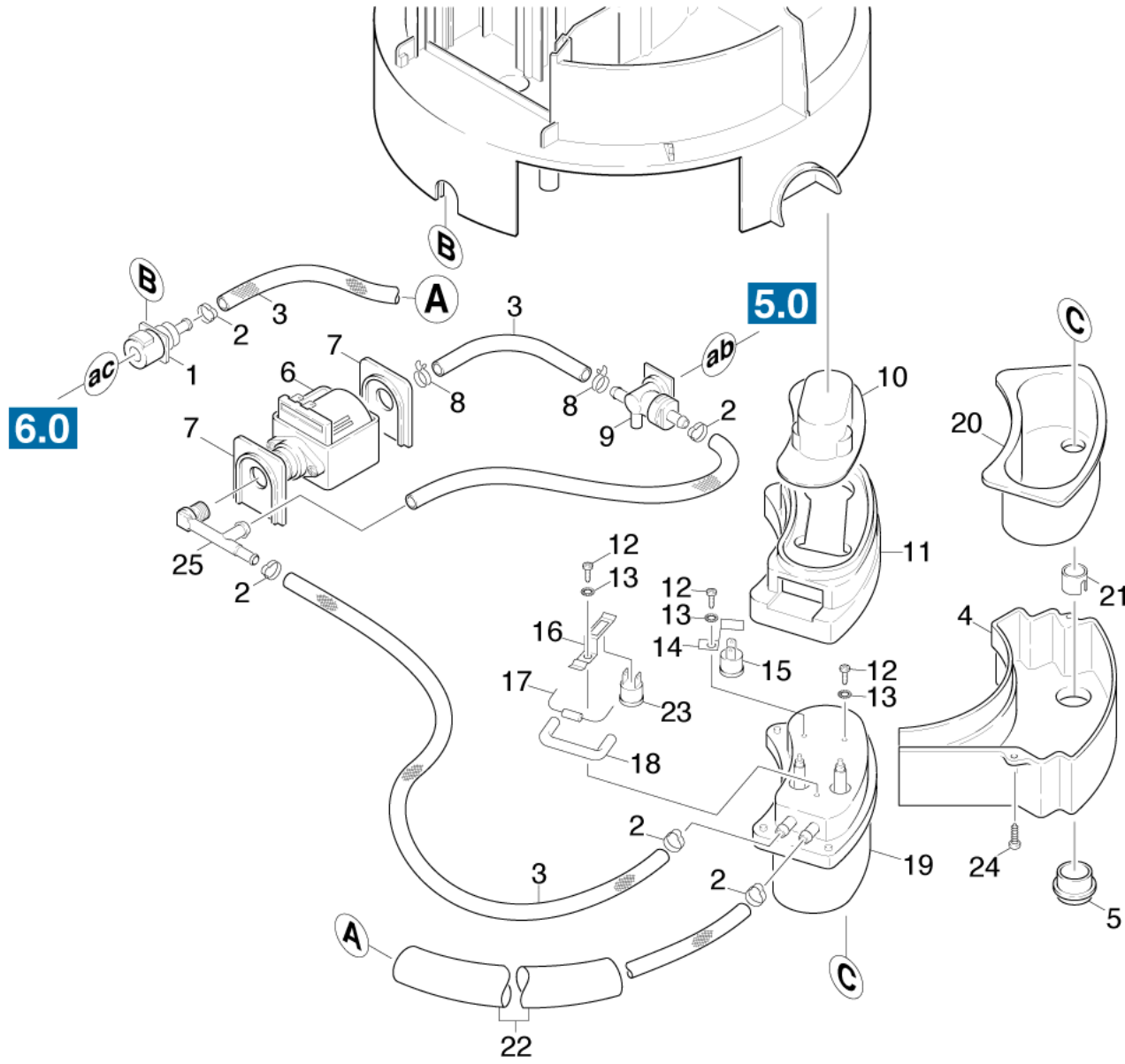
10 Top part individual parts

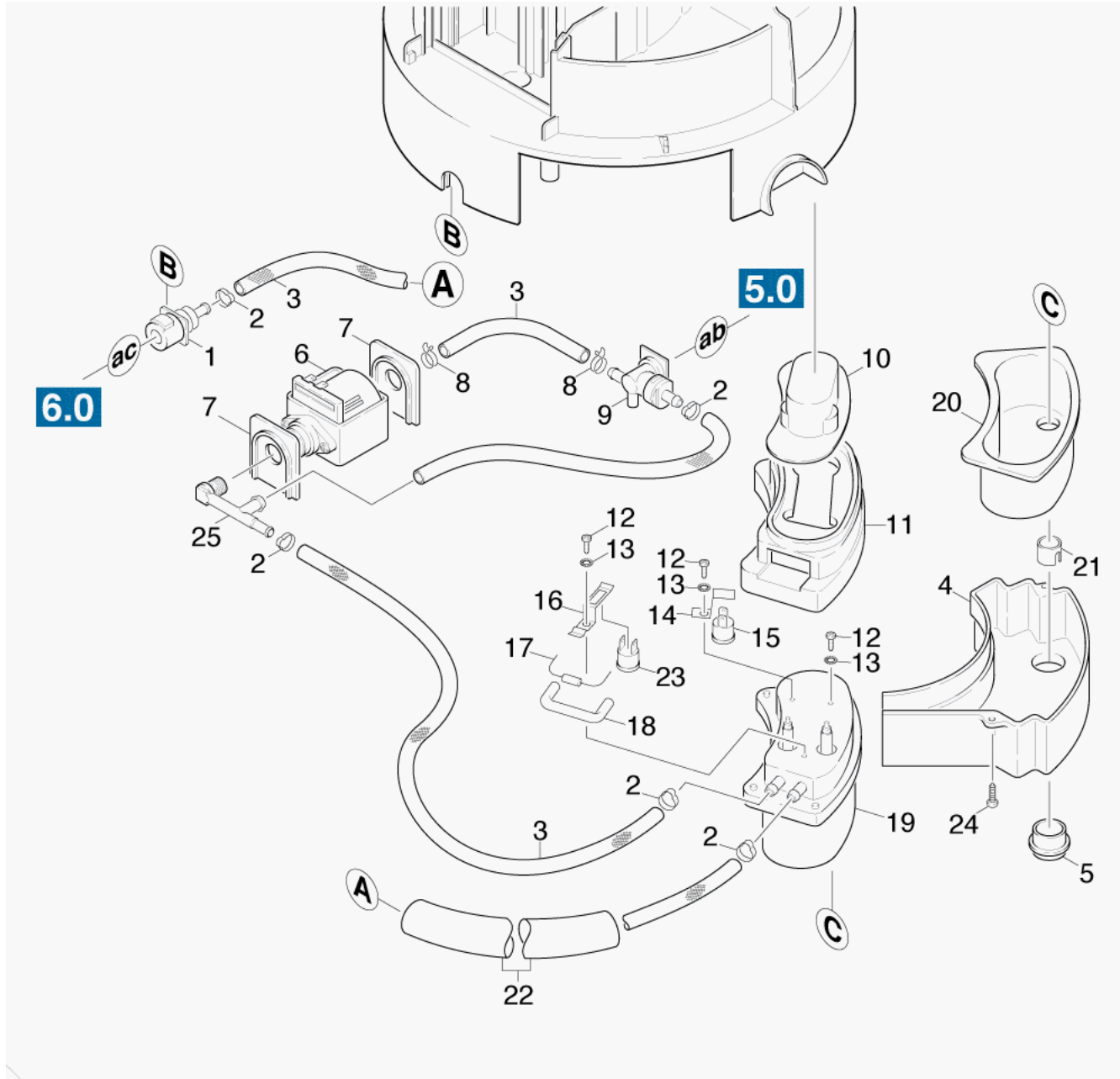
POS	Article no.	Description	Quantity	Unit
1	7.777-999.0	Stockpiling discontinued	2	PC
2	6.303-053.0	Oval head screw 3,5x32-St-vz	2	PC
4	7.777-999.0	Stockpiling discontinued	1	PC
5	7.777-999.0	Stockpiling discontinued	1	PC
6	7.303-065.0	Sheet metal screw ST3,5X25-ST-ZNBHL ISO 14585	2	PC
8	7.777-999.0	Stockpiling discontinued	1	PC
9	7.303-063.0	Sheet metal screw ST3,5X16-ST-R2R (IN6R	2	PC
10	7.777-999.0	Stockpiling discontinued	1	PC
11	7.777-999.0	Stockpiling discontinued	1	PC
12	7.777-999.0	Stockpiling discontinued	1	PC
14	7.777-999.0	Stockpiling discontinued	1	PC
15	7.777-999.0	Stockpiling discontinued	1	PC
17	7.777-999.0	Stockpiling discontinued	1	PC



20 Electric parts

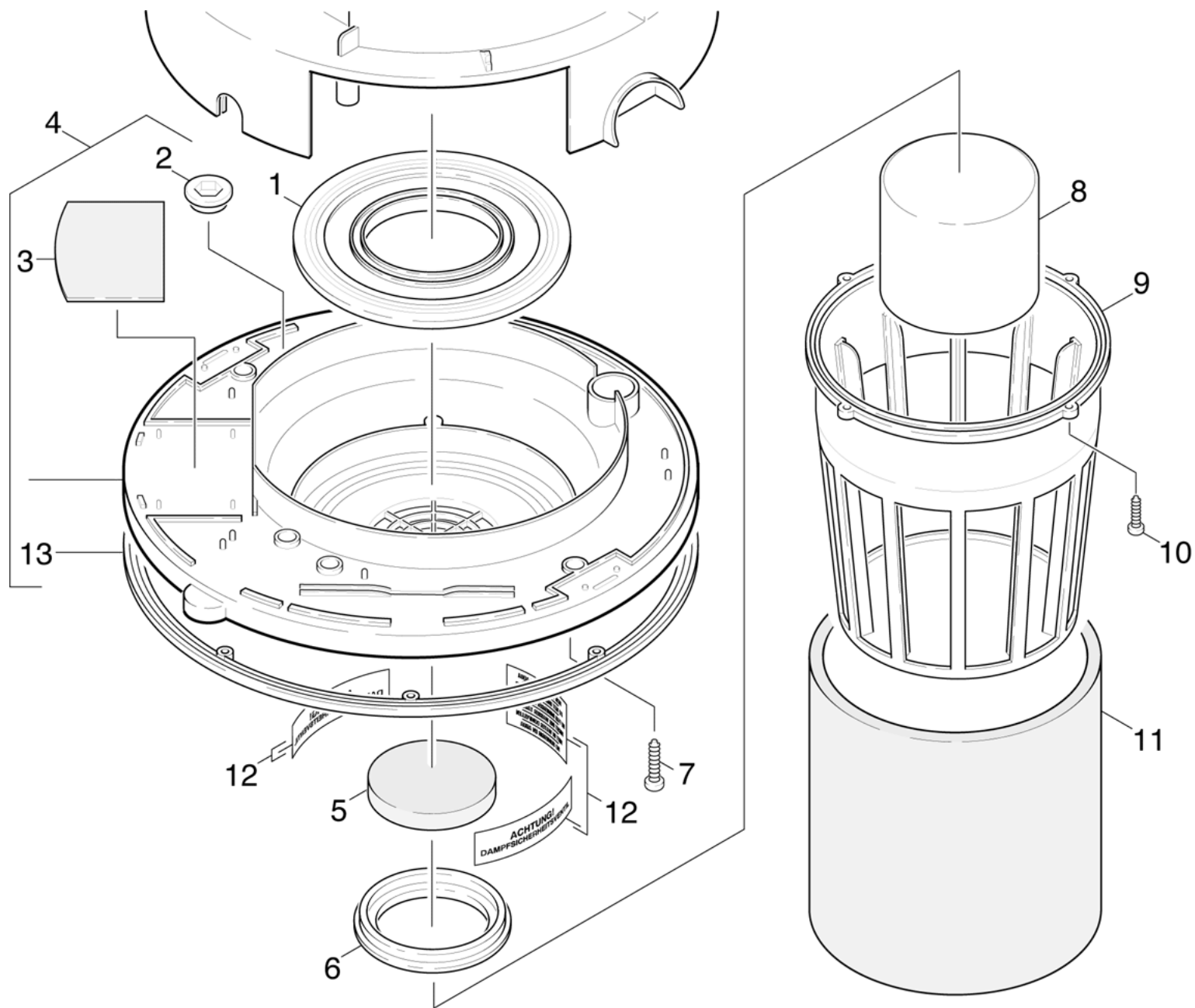
POS	Article no.	Description	Quantity	Unit
1	7.777-999.0	Stockpiling discontinued	1	PC
2	7.777-999.0	Stockpiling discontinued	1	PC
3	7.777-999.0	Stockpiling discontinued	1	PC
4	7.777-999.0	Stockpiling discontinued	1	PC
5	7.777-999.0	Stockpiling discontinued	1	PC
7	7.777-999.0	Stockpiling discontinued	1	PC
8	7.777-999.0	Stockpiling discontinued	1	PC
9	6.303-058.0	Oval head screw 2,9X 13-ST-VERZ	2	PC
10	7.777-999.0	Stockpiling discontinued	1	PC
11	7.777-999.0	Stockpiling discontinued	1	PC
13	6.641-087.0	Cable with plug	1	PC
	Item text1: / 1.140-101.0			
13	7.777-999.0	Stockpiling discontinued	1	PC
	Item text1: / 1.140-103.0			
14	7.777-999.0	Stockpiling discontinued	1	PC
15	7.777-999.0	Stockpiling discontinued	1	PC
16	7.777-999.0	Stockpiling discontinued	1	PC
	Item text1: / 1.140-101.0 / -102.0			
16	7.777-999.0	Stockpiling discontinued	1	PC
	Item text1: / 1.140-103.0			
17	6.610-204.0	Carbon brush set only for replacement	1	PC





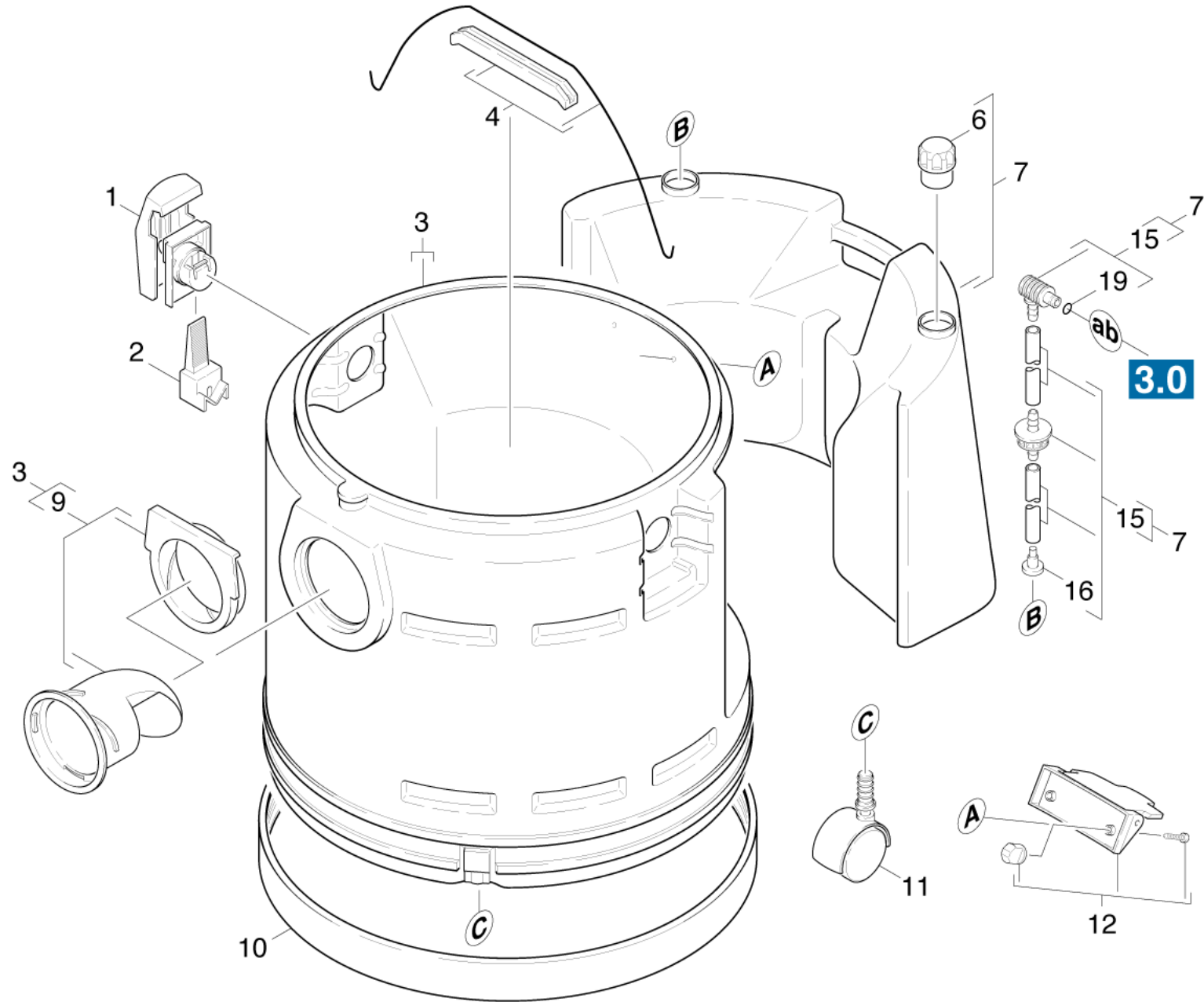
30 Hot water generator

POS	Article no.	Description	Quantity	Unit	Foot note text
1	7.777-999.0	Stockpiling discontinued	1	PC	
2	7.777-999.0	Stockpiling discontinued	6	PC	
3	7.777-999.0	Stockpiling discontinued	4	PC	ADJUST LENGTH AS REQUIRED
4	7.777-999.0	Stockpiling discontinued	1	PC	
5	7.777-999.0	Stockpiling discontinued	1	PC	
6	7.777-999.0	Stockpiling discontinued	1	PC	
7	7.777-999.0	Stockpiling discontinued	2	PC	
8	7.777-999.0	Stockpiling discontinued	2	PC	
9	7.777-999.0	Stockpiling discontinued	1	PC	
10	7.777-999.0	Stockpiling discontinued	1	PC	
11	7.777-999.0	Stockpiling discontinued	1	PC	
12	6.303-013.0	Self-tapping screw M3x 8-St-A2E	3	PC	
13	7.312-234.0	Serrated lock washer A3,2 -FSt-A3E DIN6	3	PC	
14	7.777-999.0	Stockpiling discontinued	1	PC	
15	7.777-999.0	Stockpiling discontinued	1	PC	
16	7.777-999.0	Stockpiling discontinued	1	PC	
17	7.777-999.0	Stockpiling discontinued	1	PC	
18	7.777-999.0	Stockpiling discontinued	1	PC	
19	7.777-999.0	Stockpiling discontinued	1	PC	
20	7.777-999.0	Stockpiling discontinued	1	PC	
21	7.777-999.0	Stockpiling discontinued	1	PC	
22	7.777-999.0	Stockpiling discontinued	1	PC	ADJUST LENGTH AS REQUIRED
23	7.777-999.0	Stockpiling discontinued	1	PC	
24	7.303-063.0	Sheet metal screw ST3,5X16-ST-R2R (IN6R	2	PC	
25	7.777-999.0	Stockpiling discontinued	1	PC	



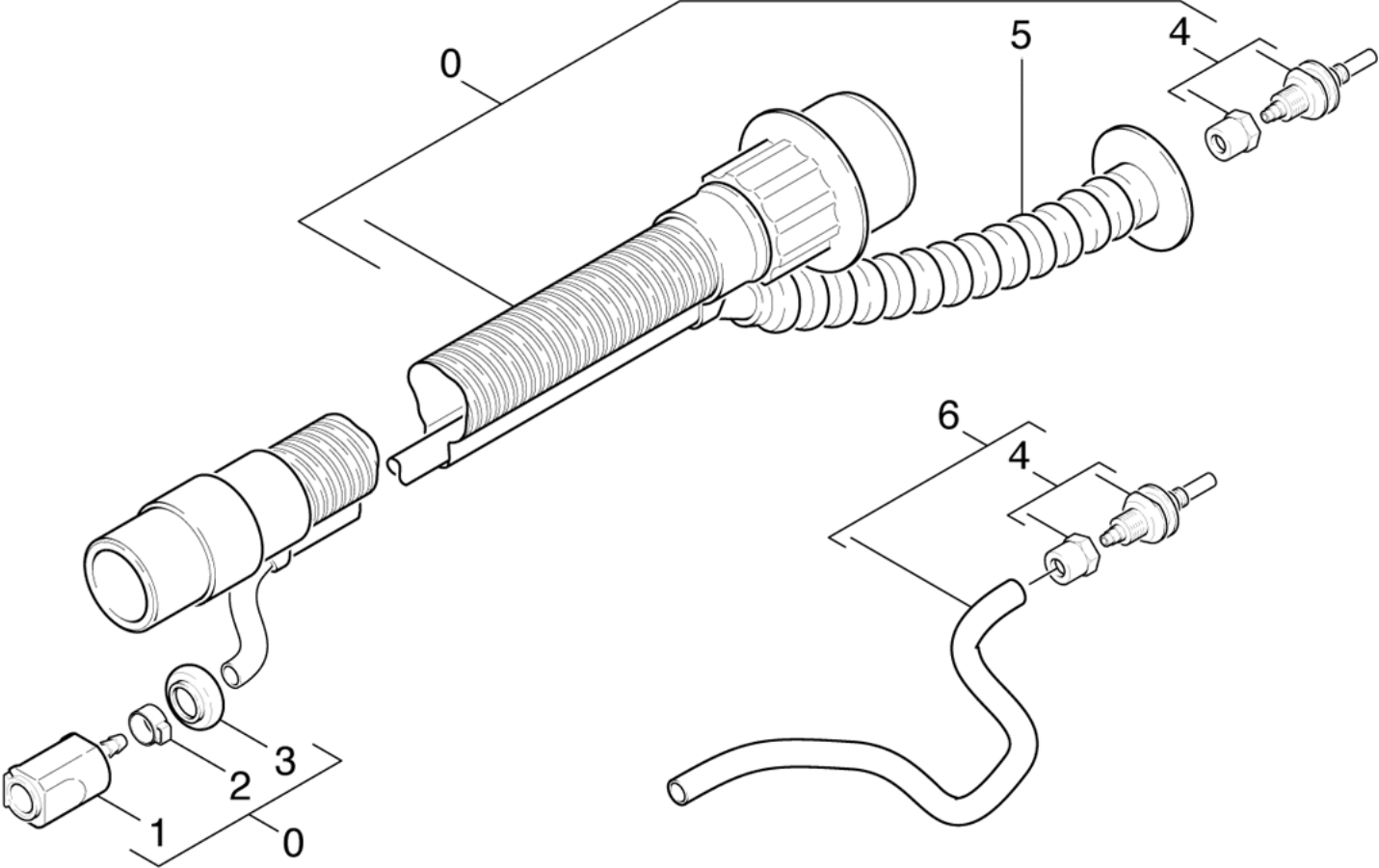
40 Top part filter

POS	Article no.	Description	Quantity	Unit
1	7.777-999.0	Stockpiling discontinued	1	PC
2	7.777-999.0	Stockpiling discontinued	1	PC
3	7.777-999.0	Stockpiling discontinued	1	PC
4	7.777-999.0	Stockpiling discontinued	1	PC
5	7.777-999.0	Stockpiling discontinued	1	PC
6	7.777-999.0	Stockpiling discontinued	1	PC
7	7.303-079.0	Sheet metal screw ST4,8X25-ST-ZNBHL ISO14585	3	PC
8	7.777-999.0	Stockpiling discontinued	1	PC
9	7.777-999.0	Stockpiling discontinued	1	PC
10	7.303-363.0	Sheet metal screw ST3,5X16,0-A2-20H-C-H	4	PC
11	7.777-999.0	Stockpiling discontinued	1	PC
12	7.777-999.0	Stockpiling discontinued	1	PC
13	7.777-999.0	Stockpiling discontinued	1	PC



50 Bottom part individual parts

POS	Article no.	Description	Quantity	Unit
1	7.777-999.0	Stockpiling discontinued	2	PC
2	7.777-999.0	Stockpiling discontinued	2	PC
3	7.777-999.0	Stockpiling discontinued	1	PC
4	7.777-999.0	Stockpiling discontinued	1	PC
6	7.777-999.0	Stockpiling discontinued	1	PC
7	7.777-999.0	Stockpiling discontinued	1	PC
9	7.777-999.0	Stockpiling discontinued	1	PC
10	7.777-999.0	Stockpiling discontinued	1	PC
11	7.777-999.0	Stockpiling discontinued	5	PC
12	7.777-999.0	Stockpiling discontinued	1	PC
15	7.777-999.0	Stockpiling discontinued	1	PC
16	5.731-652.0	Filter with weight	1	PC
19	7.777-999.0	Stockpiling discontinued	1	PC

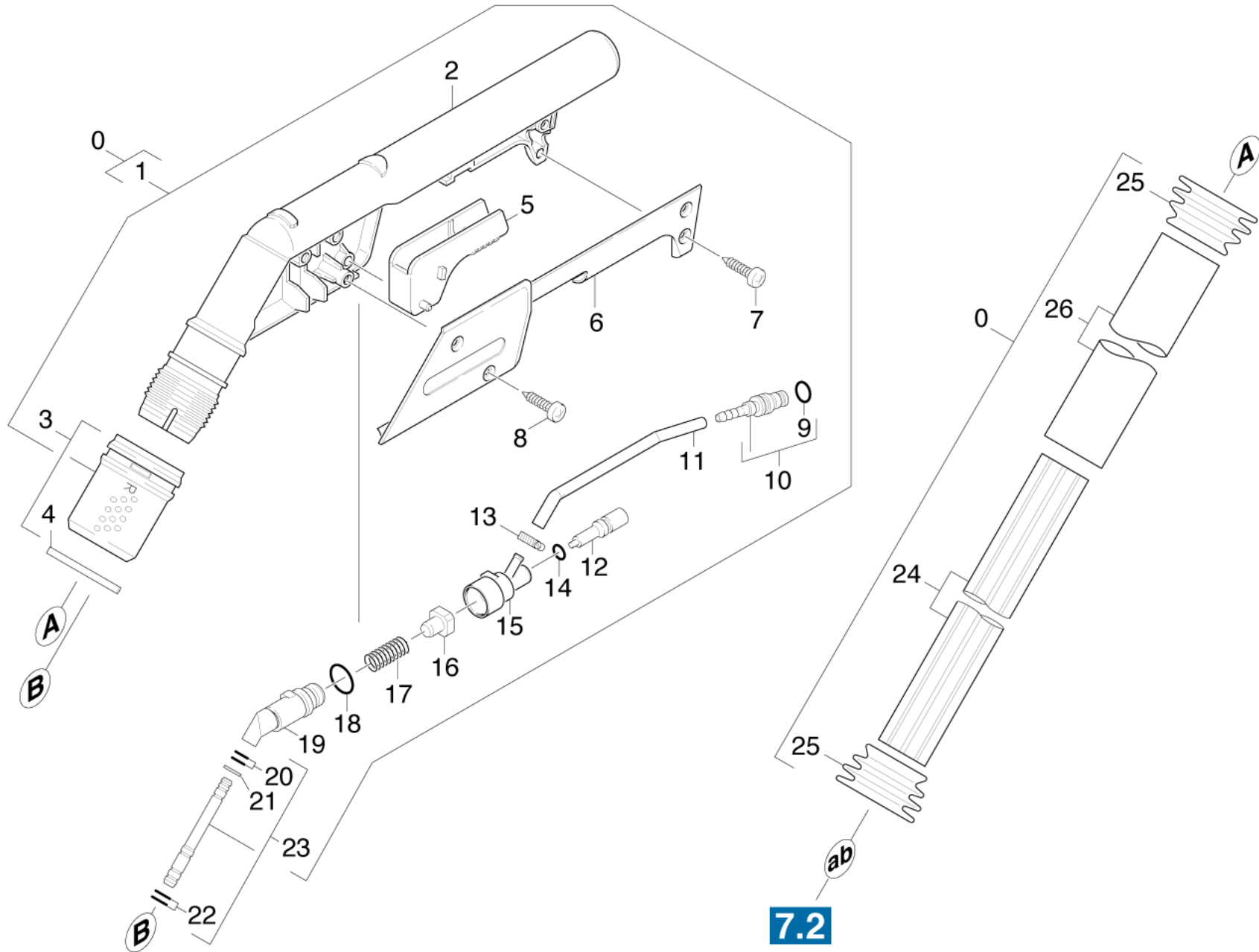


60 Hose spray sucking HE 6000

POS	Article no.	Description	Quantity	Unit
0	7.777-999.0	Stockpiling discontinued	1	PC
1	4.446-019.0	Hose coupling complete for replacement	1	PC
2	6.389-520.0	Hose clip with supportring GER	1	PC
3	7.777-999.0	Stockpiling discontinued	1	PC
4	7.777-999.0	Stockpiling discontinued	2	PC
5	7.777-999.0	Stockpiling discontinued	1	PC
6	7.777-999.0	Stockpiling discontinued	1	PC

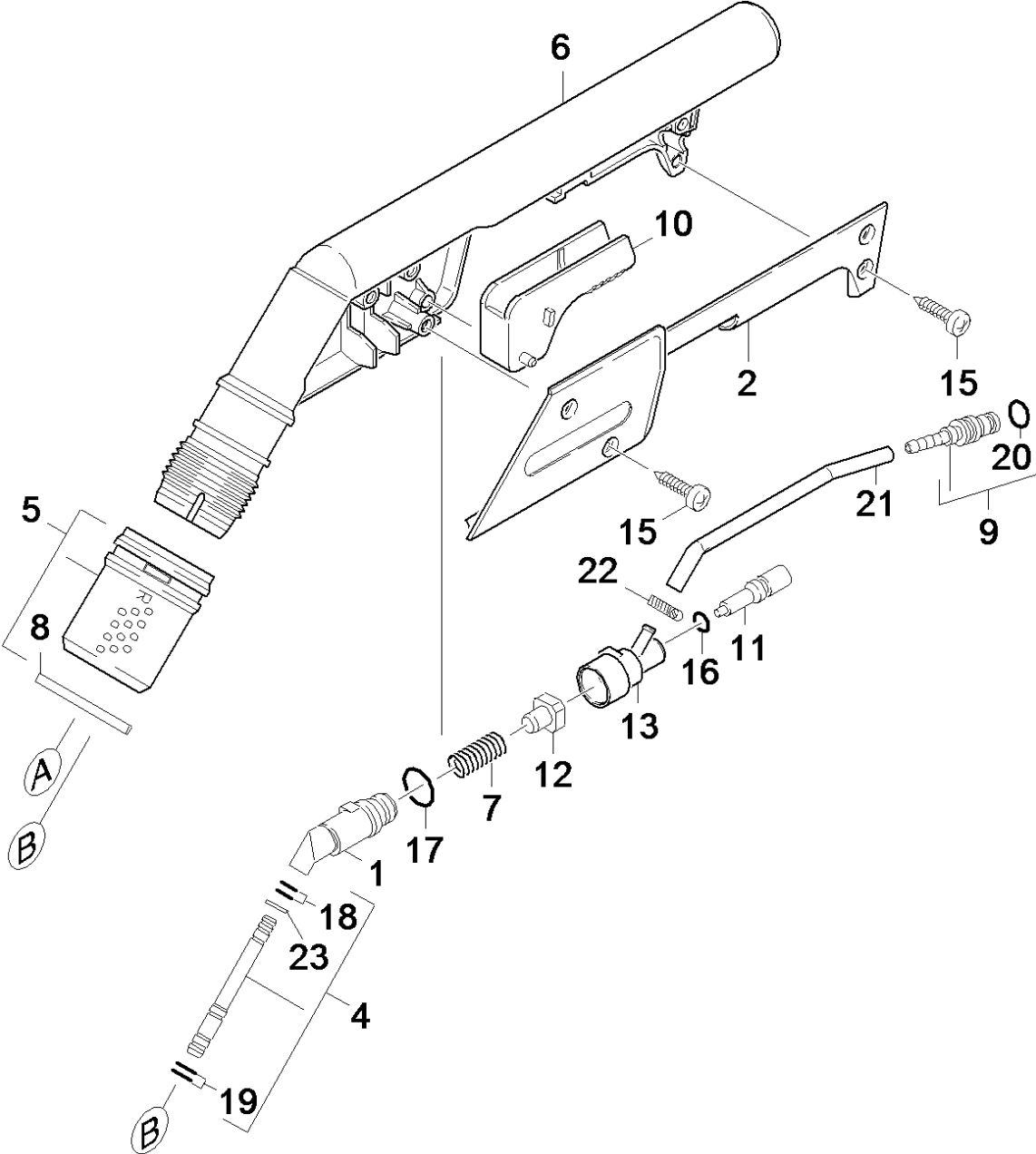
70 Floor tool complete

POS	Description	Quantity	Unit
71	Hand grip and pipe	1	PC
72	Floor tool	1	PC



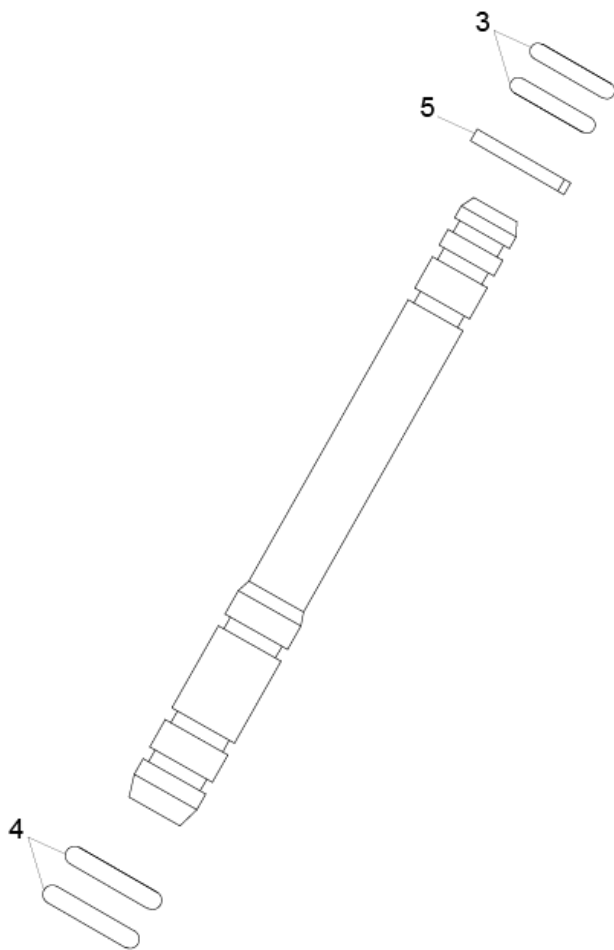
71 Hand grip and pipe

POS	Article no.	Description	Quantity	Unit	Foot note text
0	4.130-117.0	Floor tool complete	1	PC	INCLUDES HANDLE, SUCTION TUBE AND FLOOR TOOL
1	4.321-101.0	Handhold complete	1	PC	
2	5.321-569.3	Handhold	1	PC	
3	4.310-010.0	Nut right hand thread	1	PC	
4	5.343-014.0	Locking ring	1	PC	
5	5.481-157.0	Lever	1	PC	
6	5.031-038.0	Moulded part	1	PC	
7	6.303-152.0	Screw 3,5X9,5-A2	1	PC	
8	7.303-116.0	Screw 4x12-A2-70 (IN6RD)	3	PC	
9	6.362-498.0	O-Ring seal 6,75x1,78 NBR 70	1	PC	
10	4.443-019.0	Hose stem	1	PC	
11	6.389-591.0	Hose silicon 8x1	1	m	TO ORDER AS CUT GOODS
12	5.584-033.0	Valve pin	1	PC	
13	6.390-257.0	Hose clip	1	PC	
14	6.362-401.0	O-Ring seal 3,1 X 1,6	1	PC	
15	5.587-139.0	Valve housing	1	PC	
16	5.584-034.0	Valve pin	1	PC	
17	5.332-082.0	Helical spring	1	PC	
18	6.362-402.0	O-Ring seal 11,0 X 1,3-NBR 70	1	PC	
19	5.030-670.0	Moulded part	1	PC	
20	6.362-761.0	O-Ring seal 4,0 X 1,2	2	PC	
21	7.343-201.0	Lock washer 6-FST-PHR DIN 6799	1	PC	
22	6.362-472.0	O-Ring seal 6,0 X 1,0-NBR 70	2	PC	
23	4.127-009.0	Extension	1	PC	
24	5.029-257.3	Suction tube aluminium	1	PC	
25	7.777-999.0	Stockpiling discontinued	2	PC	
26	7.777-999.0	Stockpiling discontinued	1	PC	



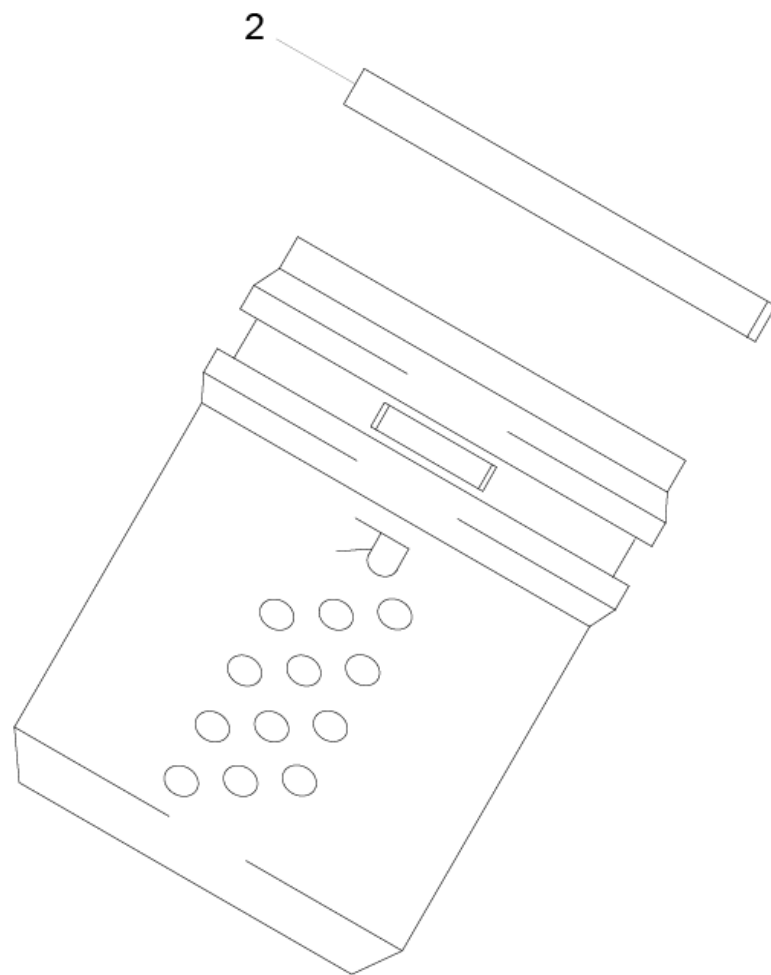
1 Handhold complete (4.321-101.0)

POS	Article no.	Description	Quantity	Unit
1	5.030-670.0	Moulded part	1	PC
2	5.031-038.0	Moulded part	1	PC
4	4.127-009.0	Extension	1	PC
5	4.310-010.0	Nut right hand thread	1	PC
6	5.321-569.3	Handhold	1	PC
7	5.332-082.0	Helical spring	1	PC
8	5.343-014.0	Locking ring	1	PC
9	4.443-019.0	Hose stem	1	PC
10	5.481-157.0	Lever	1	PC
11	5.584-033.0	Valve pin	1	PC
12	5.584-034.0	Valve pin	1	PC
13	5.587-139.0	Valve housing	1	PC
15	7.303-116.0	Screw 4x12-A2-70 (IN6RD)	4	PC
16	6.362-401.0	O-Ring seal 3,1 X 1,6	1	PC
17	6.362-402.0	O-Ring seal 11,0 X 1,3-NBR 70	1	PC
18	6.362-761.0	O-Ring seal 4,0 X 1,2	2	PC
19	6.362-472.0	O-Ring seal 6,0 X 1,0-NBR 70	2	PC
20	2.889-246.0	O-Ring seal set 6,75X 1,78	1	PC
21	6.390-237.0	Hose PU DN 6x1	1	ZST
22	6.390-257.0	Hose clip	2	PC
23	7.343-201.0	Lock washer 6-FST-PHR DIN 6799	1	PC



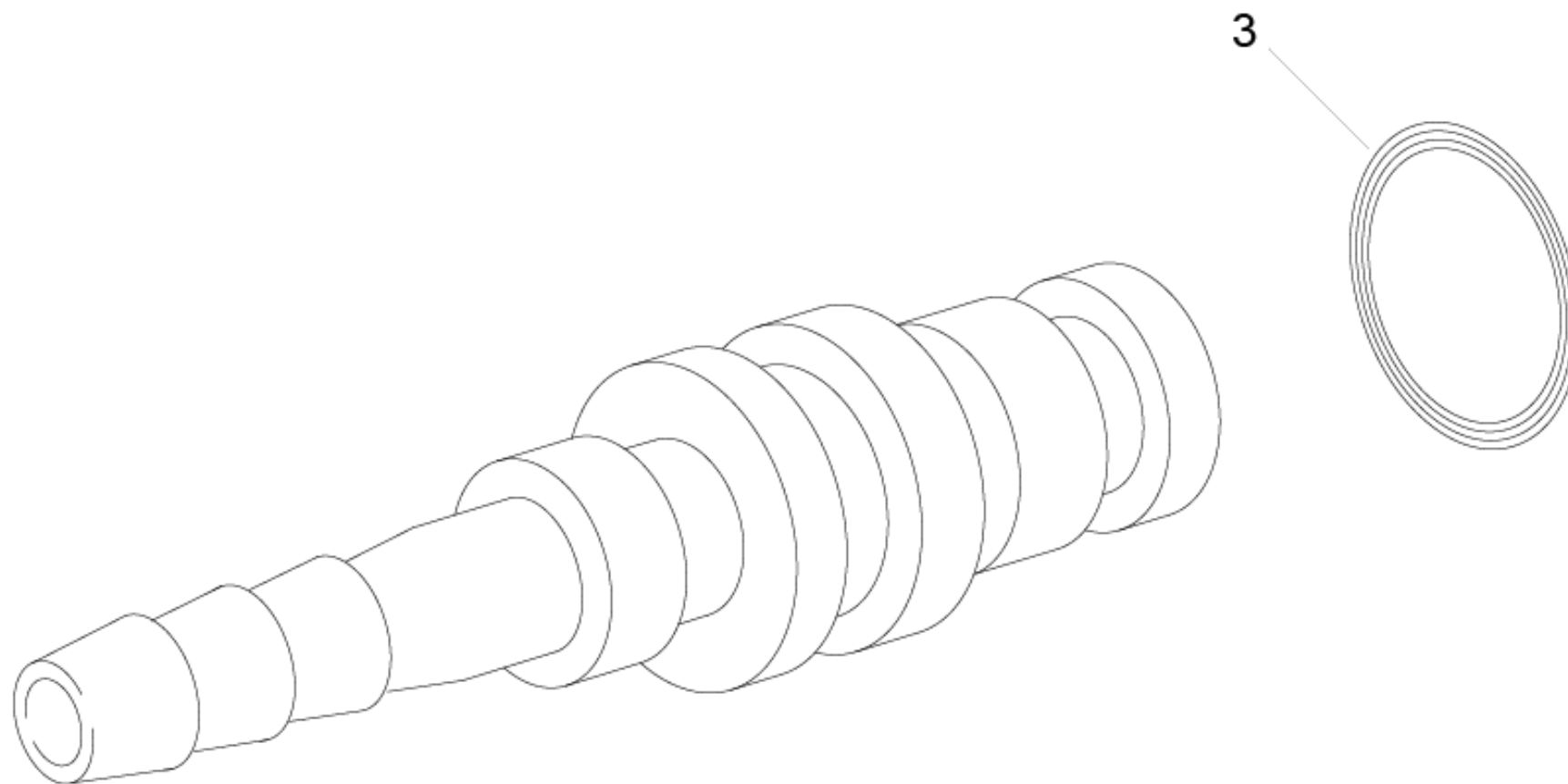
4 Extension (4.127-009.0)

POS	Article no.	Description	Quantity	Unit
3	6.362-761.0	O-Ring seal 4,0 X 1,2	2	PC
4	6.362-472.0	O-Ring seal 6,0 X 1,0-NBR 70	2	PC
5	7.343-201.0	Lock washer 6-FST-PHR DIN 6799	1	PC



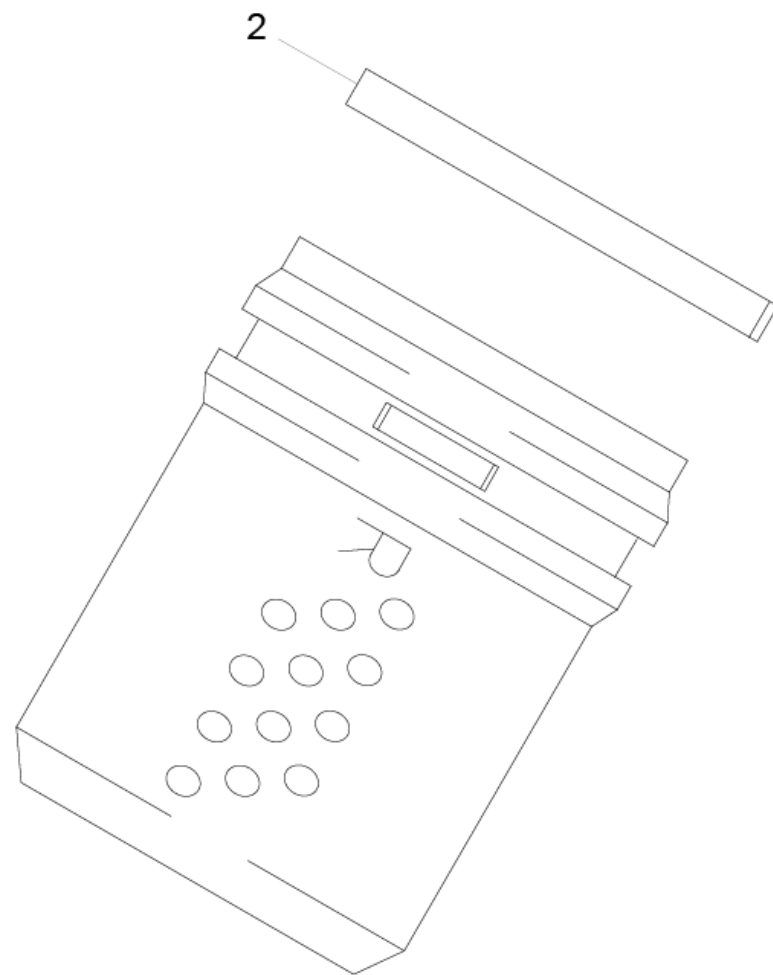
5 Nut right hand thread (4.310-010.0)

POS	Article no.	Description	Quantity	Unit
2	5.343-014.0	Locking ring	1	PC



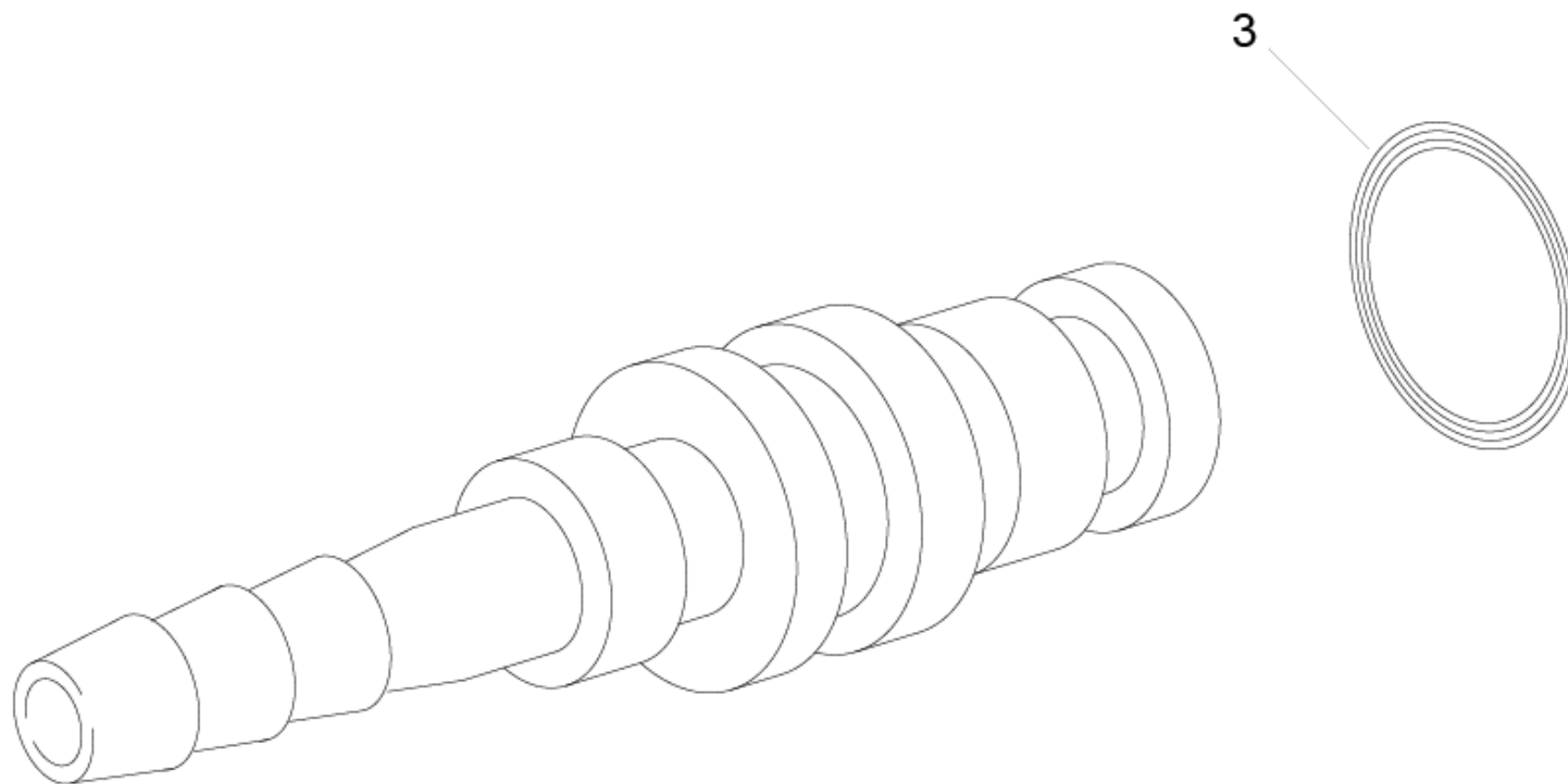
9 Hose stem (4.443-019.0)

POS	Article no.	Description	Quantity	Unit
3	6.362-498.0	O-Ring seal 6,75x1,78 NBR 70	1	PC



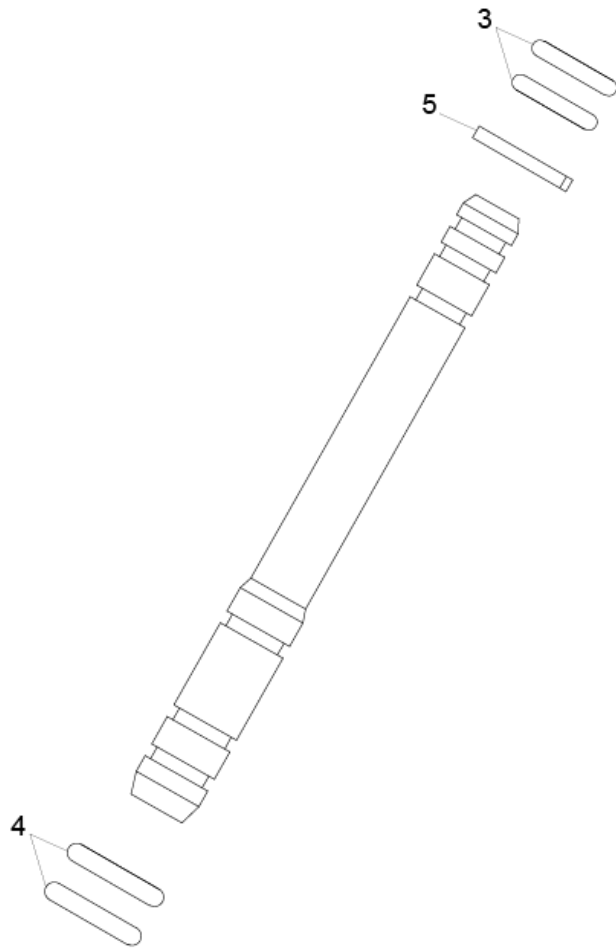
3 Nut right hand thread (4.310-010.0)

POS	Article no.	Description	Quantity	Unit
2	5.343-014.0	Locking ring	1	PC



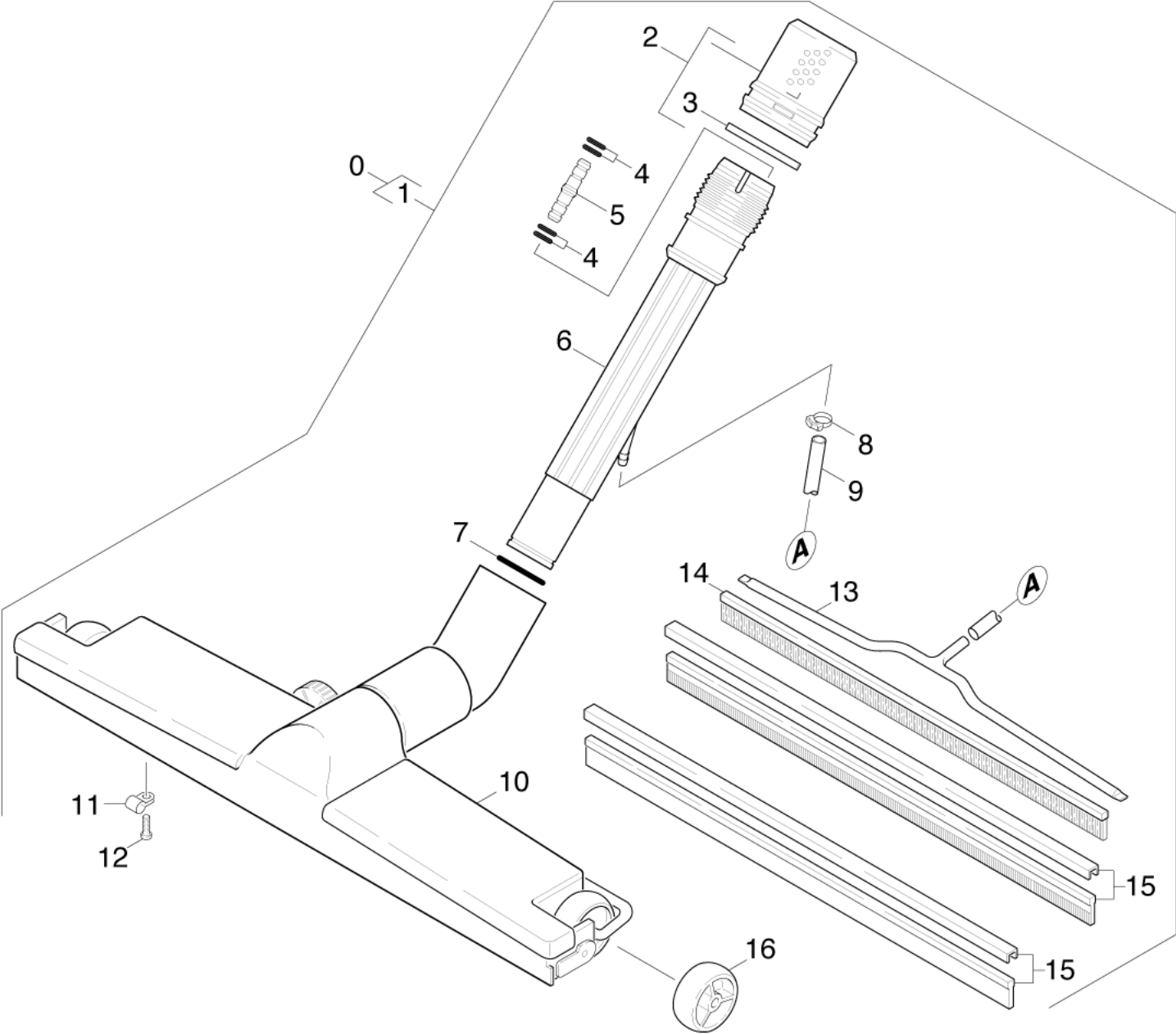
10 Hose stem (4.443-019.0)

POS	Article no.	Description	Quantity	Unit
3	6.362-498.0	O-Ring seal 6,75x1,78 NBR 70	1	PC



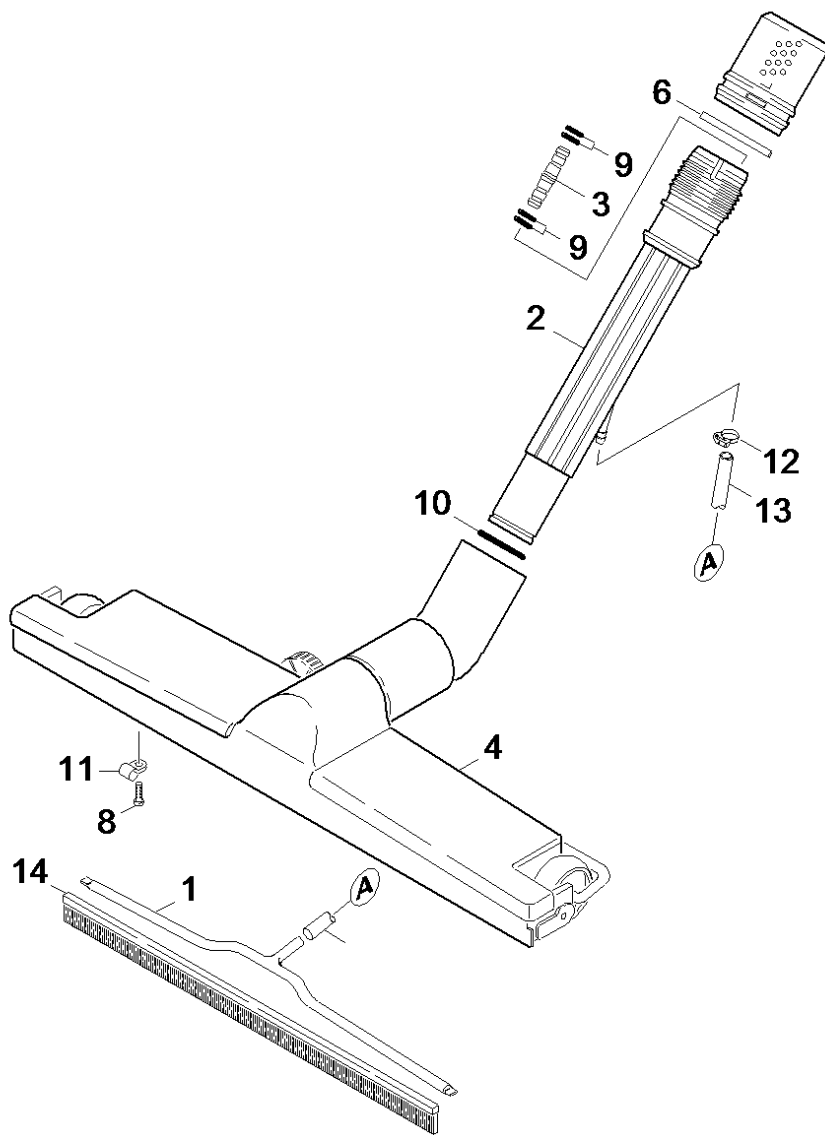
23 Extension (4.127-009.0)

POS	Article no.	Description	Quantity	Unit
3	6.362-761.0	O-Ring seal 4,0 X 1,2	2	PC
4	6.362-472.0	O-Ring seal 6,0 X 1,0-NBR 70	2	PC
5	7.343-201.0	Lock washer 6-FST-PHR DIN 6799	1	PC



72 Floor tool

POS	Article no.	Description	Quantity	Unit	Foot note text
0	4.130-117.0	Floor tool complete	1	PC	INCLUDES HANDLE, SUCTION TUBE AND FLOOR TOOL
1	4.130-121.0	Floor tool	1	PC	
2	4.310-011.0	Nut left hand thread only for replacemen	1	PC	
3	5.343-014.0	Locking ring	1	PC	
4	6.362-472.0	O-Ring seal 6,0 X 1,0-NBR 70	4	PC	
5	5.127-021.0	Extension	1	PC	
6	5.029-275.0	Suction tube	1	PC	
7	6.362-727.0	O-Ring seal 30,0 X 1,0-NBR 70	1	PC	
8	6.389-882.0	Hose clip 8,5-10,0	1	PC	
9	6.389-591.0	Hose silicon 8x1	1	m	TO ORDER AS CUT GOODS
10	5.130-082.0	Nozzle	1	PC	
11	6.373-310.0	Pipe clamp	2	PC	
12	7.303-033.0	Screw M4x16-ST-P2R (KOMBI-IN6RD	2	PC	
13	4.025-197.0	Tube	1	PC	
14	6.903-163.0	Brush strip	1	PC	
15	6.903-062.0	Rubber strip set	1	PC	
16	6.903-016.0	Roller	2	PC	



1 Floor tool (4.130-121.0)

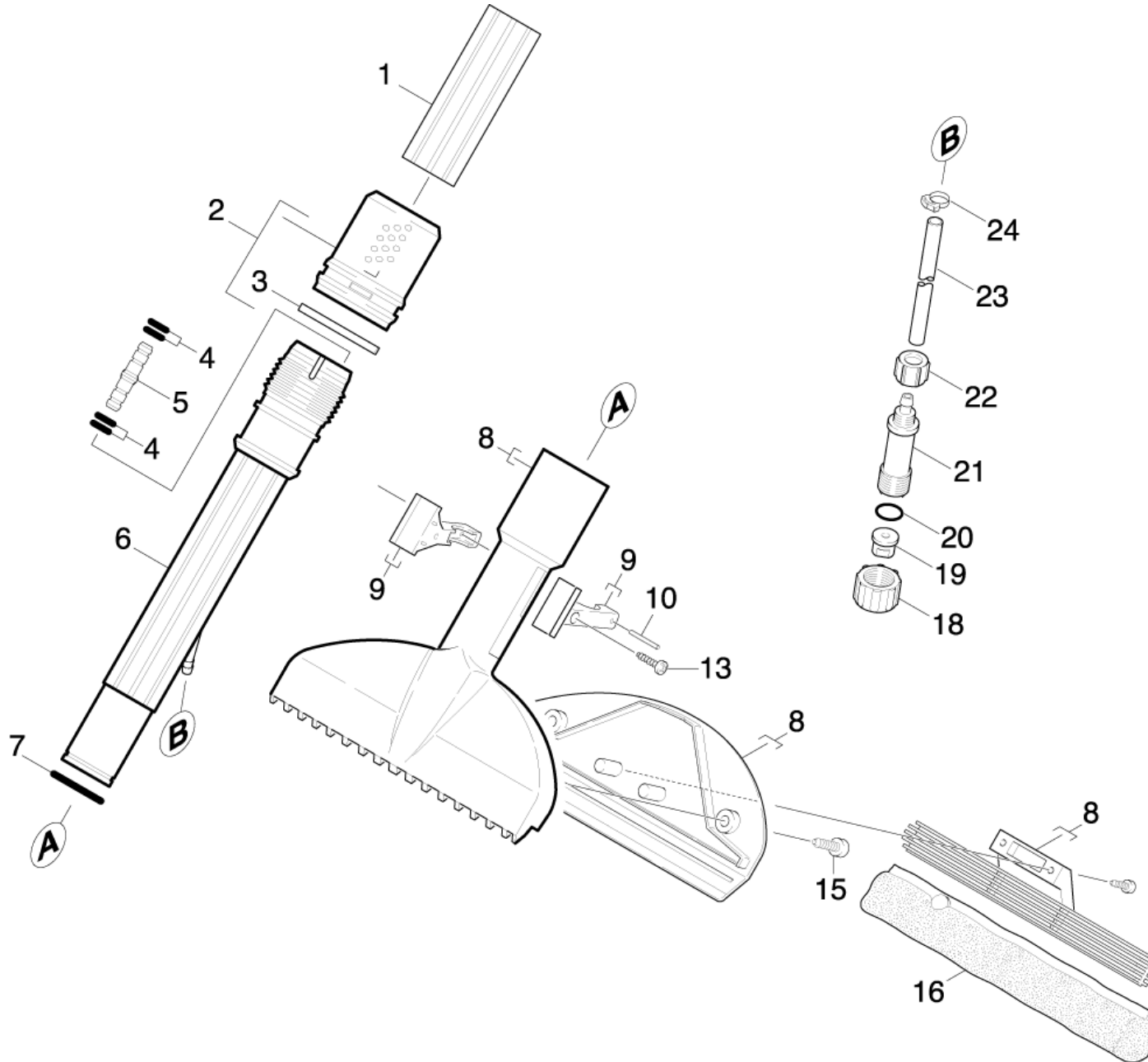
POS	Article no.	Description	Quantity	Unit
1	4.025-197.0	Tube	1	PC
2	5.029-275.0	Suction tube	1	PC
3	5.127-021.0	Extension	1	PC
4	5.130-082.0	Nozzle	1	PC
6	5.343-014.0	Locking ring	1	PC
8	7.303-032.0	Screw M4x12 -St-R2R (In6Rd)	2	PC
9	6.362-472.0	O-Ring seal 6,0 X 1,0-NBR 70	4	PC
10	6.362-727.0	O-Ring seal 30,0 X 1,0-NBR 70	1	PC
11	6.373-310.0	Pipe clamp	2	PC
12	6.389-882.0	Hose clip 8,5-10,0	1	PC
13	6.389-591.0	Hose silicon 8x1	0,235	m
14	6.903-163.0	Brush strip	1	PC

12 Hose clip 8,5-10,0 (6.389-882.0)

POS	Article no.	Description	Quantity	Unit
10	6.630-483.0	Thermostat	1	PC
20	7.303-032.0	Screw M4x12 -St-R2R (In6Rd)	2	PC
30	9.769-232.0	Unit NTC	1	PC
40	7.313-017.0	Spring washer B 4-1.4310 DIN 127	2	PC

8 Hose clip 8,5-10,0 (6.389-882.0)

POS	Article no.	Description	Quantity	Unit
10	6.630-483.0	Thermostat	1	PC
20	7.303-032.0	Screw M4x12 -St-R2R (In6Rd)	2	PC
30	9.769-232.0	Unit NTC	1	PC
40	7.313-017.0	Spring washer B 4-1.4310 DIN 127	2	PC



80 Window nozzle

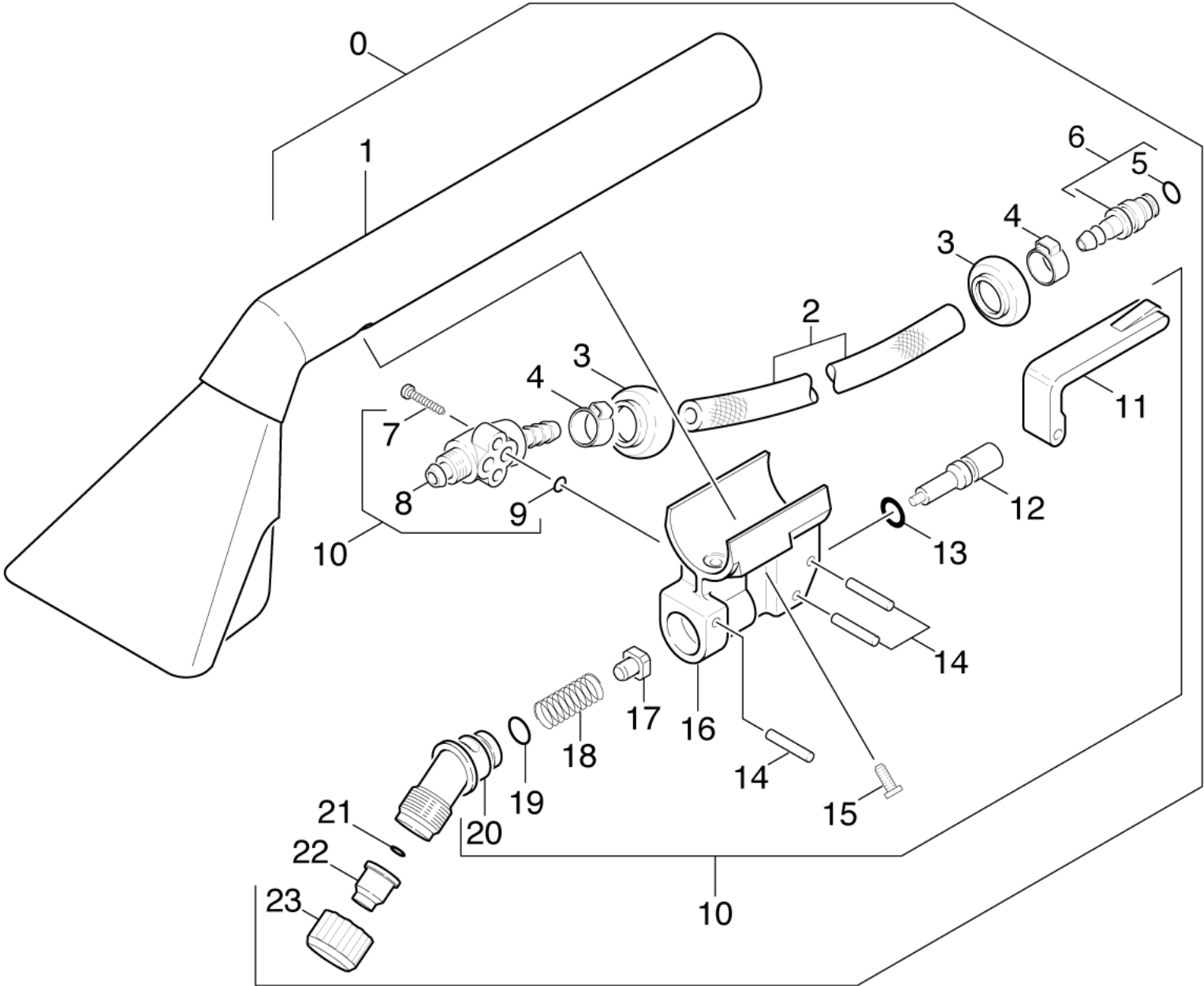
POS	Article no.	Description	Quantity	Unit	Foot note text
1	5.029-283.0	Suction tube window nozzle	1	PC	
2	4.310-011.0	Nut left hand thread only for replacemen	1	PC	
3	5.343-014.0	Locking ring	1	PC	
4	6.362-472.0	O-Ring seal 6,0 X 1,0-NBR 70	4	PC	
5	5.127-021.0	Extension	1	PC	
6	5.029-275.0	Suction tube	1	PC	
7	6.362-727.0	O-Ring seal 30,0 X 1,0-NBR 70	1	PC	
8	7.777-999.0	Stockpiling discontinued	1	PC	
9	7.777-999.0	Stockpiling discontinued	1	PC	
10	7.314-099.0	Straight pin 5m6x20-St ISO 2338	1	PC	
13	6.303-058.0	Oval head screw 2,9X 13-ST-VERZ	1	PC	
15	7.303-076.0	Sheet metal screw ST4,8X13 -St-R2R (In6	2	PC	
16	7.777-999.0	Stockpiling discontinued	1	PC	
18	5.310-043.0	Union nut black	1	PC	
19	6.415-166.0	Spray nozzle brown	1	PC	
20	6.362-113.0	O-Ring seal 6,0 x 2,0 NBR 70	1	PC	
21	5.401-053.0	Screw connector part	1	PC	
22	6.388-381.0	Union nut black	1	PC	
23	6.389-591.0	Hose silicon 8x1	1	m	TO ORDER AS CUT GOODS
24	6.389-882.0	Hose clip 8,5-10,0	1	PC	

24 Hose clip 8,5-10,0 (6.389-882.0)

POS	Article no.	Description	Quantity	Unit
10	6.630-483.0	Thermostat	1	PC
20	7.303-032.0	Screw M4x12 -St-R2R (In6Rd)	2	PC
30	9.769-232.0	Unit NTC	1	PC
40	7.313-017.0	Spring washer B 4-1.4310 DIN 127	2	PC

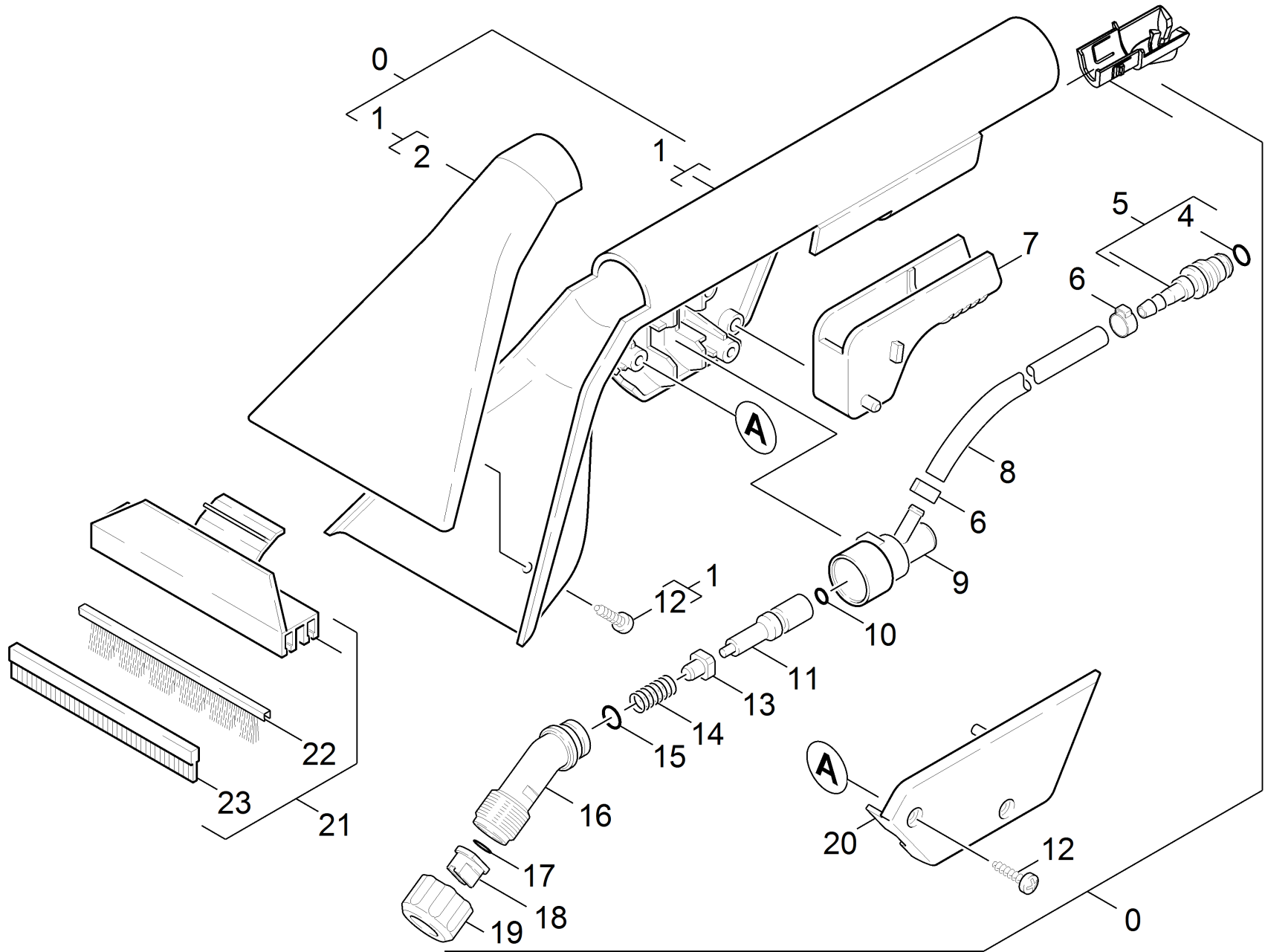
90 Hand nozzle

POS	Description	Quantity	Unit	Remark
91	Hand nozzle	1	PC	ALT/OLD/AGE
92	Hand nozzle	1	PC	NEU/NEW/NEUF



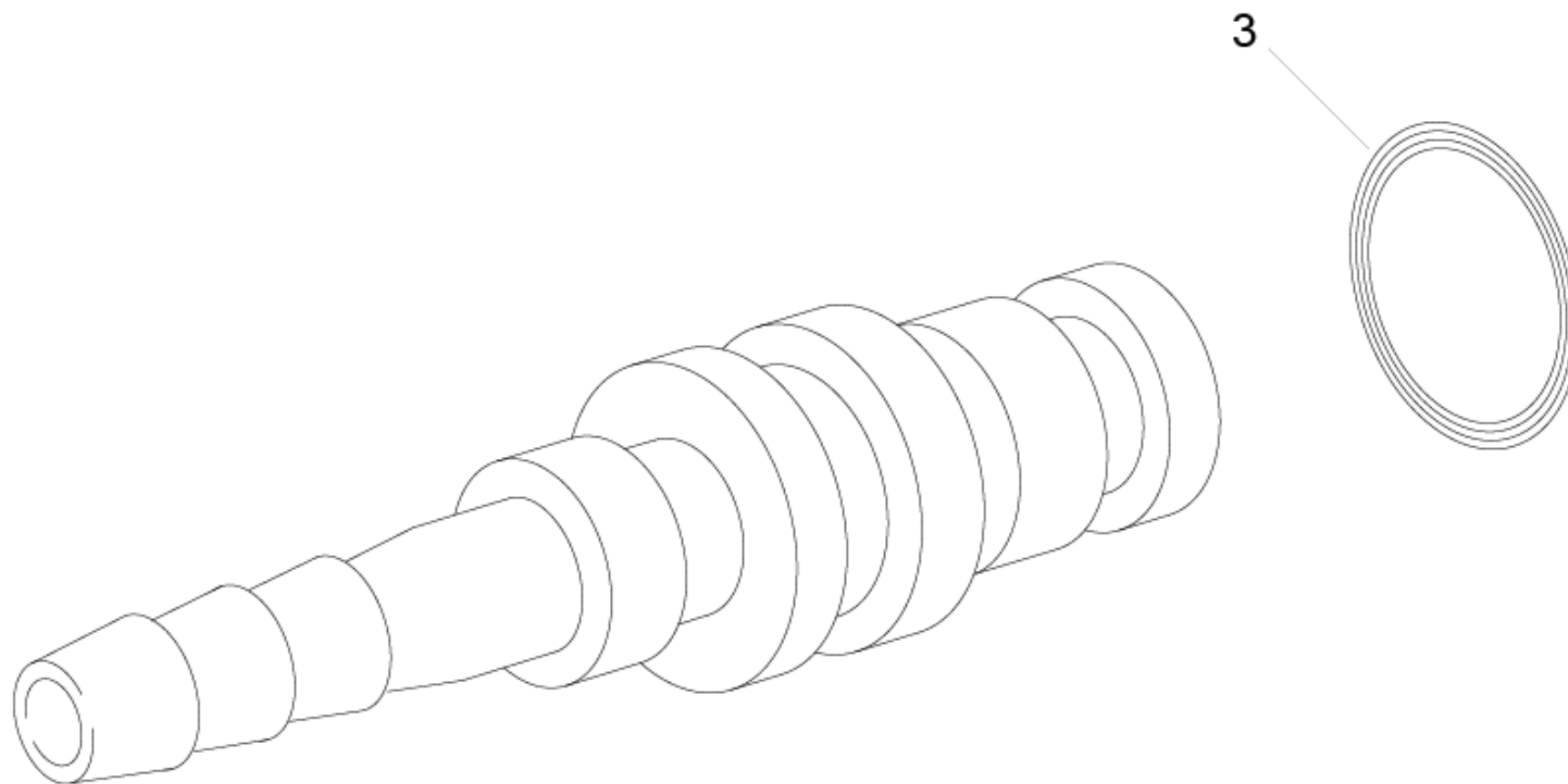
91 Hand nozzle

POS	Article no.	Description	Quantity	Unit
0	4.130-116.0	Hand nozzle	1	PC
1		Suction nozzle	1	PC
2	7.777-999.0	Stockpiling discontinued	1	PC
3	7.777-999.0	Stockpiling discontinued	2	PC
4	6.388-701.0	Hose clip with insert 13,3	2	PC
5	6.362-498.0	O-Ring seal 6,75x1,78 NBR 70	1	PC
6	7.777-999.0	Stockpiling discontinued	1	PC
7	6.303-025.0	Oval head screw 4,2x16-St-vz	2	PC
8	5.587-063.0	Valve housing	1	PC
9	6.363-597.0	O-Ring seal 5,28 x 1,78	2	PC
10	7.777-999.0	Stockpiling discontinued	1	PC
11	5.321-057.0	Handhold	1	PC
12	5.584-033.0	Valve pin	1	PC
13	6.362-401.0	O-Ring seal 3,1 X 1,6	1	PC
14	7.314-657.0	Straight grooved pin 4x24 Kunstst. ISO87	3	PC
15	7.303-050.0	Sheet metal screw ST3,9X 9,5-ST-A2E DI	2	PC
16	5.587-059.0	Valve housing	1	PC
17	5.584-034.0	Valve pin	1	PC
18	5.332-082.0	Helical spring	1	PC
19	6.363-615.0	O-Ring seal 11 x 1,5 -NBR70	1	PC
20	5.401-054.0	Screw connector part	1	PC
21	6.362-113.0	O-Ring seal 6,0 x 2,0 NBR 70	1	PC
22	6.415-928.0	Nozzle mouthpiece blue	1	PC
23	5.310-043.0	Union nut black	1	PC



92 Hand nozzle

POS	Article no.	Description	Quantity	Unit
0	4.130-116.0	Hand nozzle	1	PC
1	4.130-126.3	Hand nozzle with cover	1	PC
2	5.130-223.0	Cover hand nozzle	1	PC
3	5.112-572.0	Bush	1	PC
4	2.889-246.0	O-Ring seal set 6,75X 1,78	1	PC
5	4.443-019.0	Hose stem	1	PC
6	6.390-257.0	Hose clip	2	PC
7	5.481-157.0	Lever	1	PC
8	6.390-237.0	Hose PU DN 6x1	1	ZST
9	5.587-139.0	Valve housing	1	PC
10	6.362-401.0	O-Ring seal 3,1 X 1,6	1	PC
11	5.584-033.0	Valve pin	1	PC
12	7.303-116.0	Screw 4x12-A2-70 (IN6RD)	4	PC
13	5.584-034.0	Valve pin	1	PC
14	5.332-082.0	Helical spring	1	PC
15	6.362-402.0	O-Ring seal 11,0 X 1,3-NBR 70	1	PC
16	5.401-225.0	Screw connector part	1	PC
17	6.362-113.0	O-Ring seal 6,0 x 2,0 NBR 70	1	PC
18	6.415-928.0	Nozzle mouthpiece blue	1	PC
19	5.310-043.0	Union nut black	1	PC
20	5.063-773.3	Cover plate	1	PC
21	4.762-219.0	Hard surface adapter	1	PC
22	6.959-282.0	Brush strip	1	PC
23	6.959-283.0	Rubber lip	1	PC

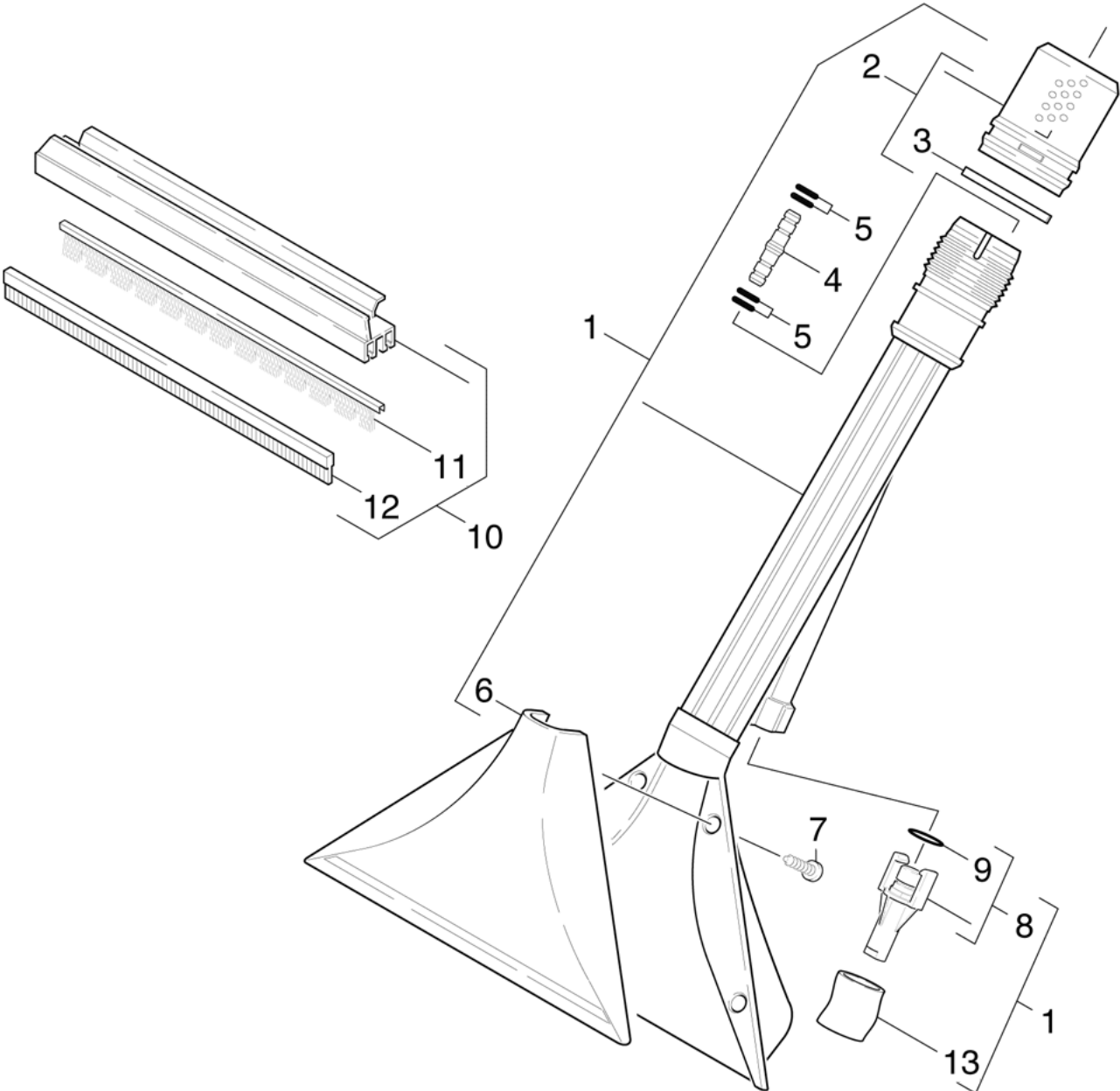


5 Hose stem (4.443-019.0)

POS	Article no.	Description	Quantity	Unit
3	6.362-498.0	O-Ring seal 6,75x1,78 NBR 70	1	PC

100 Carpet nozzle

POS	Description	Quantity	Unit
101	Carpet nozzle	1	PC



101 Carpet nozzle

POS	Article no.	Description	Quantity	Unit	Foot note text
1	4.130-124.0	Carpet nozzle	1	PC	
2	4.310-011.0	Nut left hand thread only for replacemen	1	PC	
3	5.343-014.0	Locking ring	1	PC	
4	5.127-021.0	Extension	1	PC	
5	6.362-472.0	O-Ring seal 6,0 X 1,0-NBR 70	4	PC	
6	5.777-027.0	Cover suction nozzle	1	PC	
7	7.303-116.0	Screw 4x12-A2-70 (IN6RD)	4	PC	
8	5.765-079.0	Spray nozzle yellow	1	PC	YELLOW 2,0L/MIN (SEE RATING PLATE)
8	5.765-080.0	Spray nozzle black	1	PC	BLACK 1,0L/MIN (SEE RATING PLATE)
9	6.362-384.0	O-Ring seal 9x1,5 - NBR 70	1	PC	
10	4.762-220.0	Hard surface adapter	1	PC	
11	6.906-082.0	Brush strip	1	PC	
12	6.959-116.0	Rubber lip	1	PC	
13	7.777-999.0	Stockpiling discontinued	1	PC	ORDER ACCORDING TO CONSUMPTION

1 Carpet nozzle (4.130-124.0)

POS	Article no.	Description	Quantity	Unit
10	4.762-220.0	Hard surface adapter	1	PC

8 Spray nozzle yellow (5.765-079.0)

POS	Article no.	Description	Quantity	Unit
0	6.362-384.0	O-Ring seal 9x1,5 - NBR 70	1	PC

8 Spray nozzle black (5.765-080.0)

POS	Article no.	Description	Quantity	Unit
0	6.362-384.0	O-Ring seal 9x1,5 - NBR 70	1	PC