

## **Spare parts list**

(1.081-200.0) SE 5.100 \*EU

## Table of contents

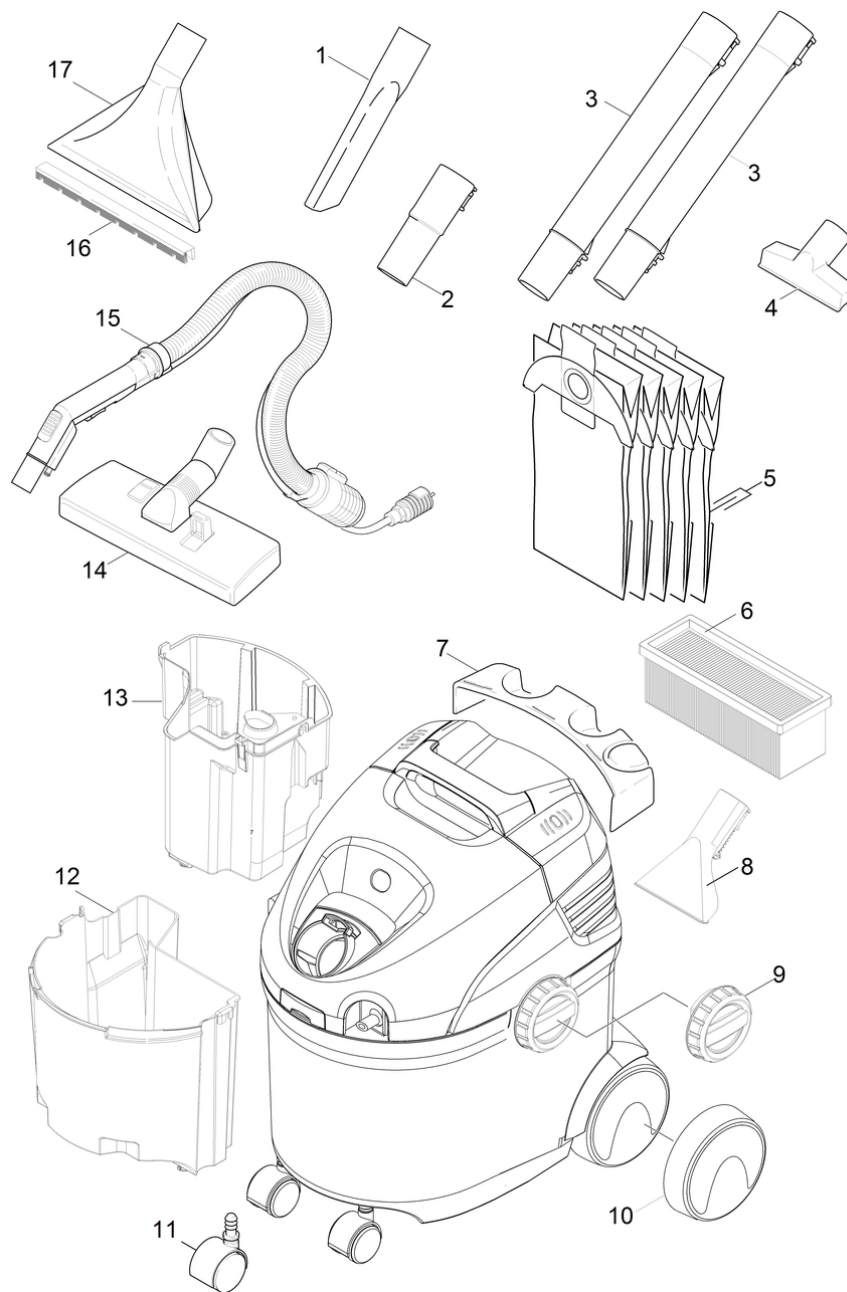
---

SE 5.100 *EU (1.081-200.0)	3
Short spare parts list	4
1 Spare parts list SE 5.100 (5.971-236.0)	6
10 Cover	7
20 Vacuum motor	9
30 Tank	11
40 Accessories	13

SE 5.100 \*EU (1.081-200.0)

---

POS	Article no.	Description	Quantity	Unit
0		Short spare parts list	1.000	ST
1	5.971-236.0	Spare parts list SE 5.100	1.000	ST



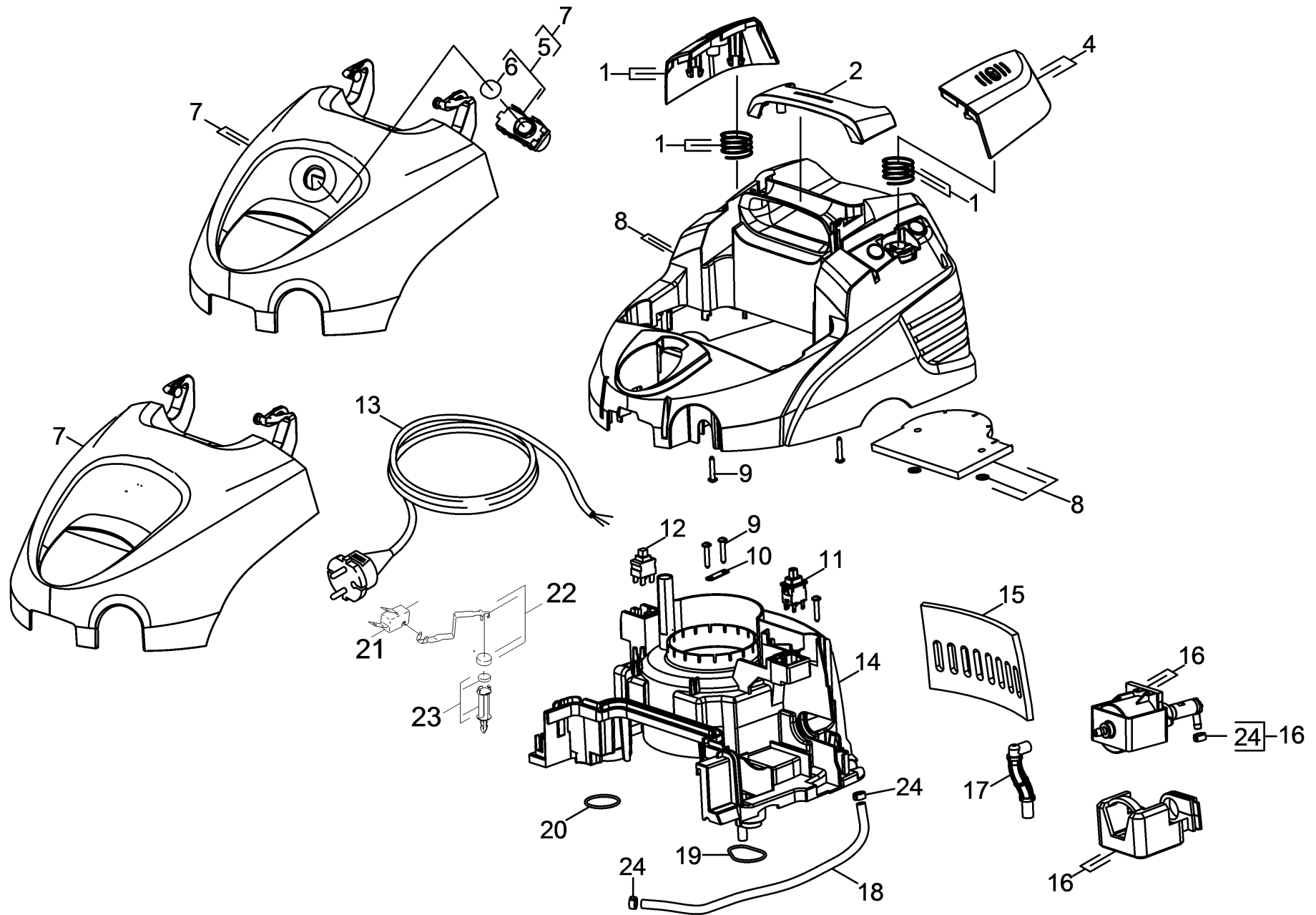
## Short spare parts list

POS	Article no.	Description	Quantity	Unit
2	9.012-279.0	Adapter /ADATTATORE ACC.SE	1.000	ST
17	9.012-276.0	Carpet nozzle Spray-Ex	1.000	ST
11	6.435-353.0	Castor D 42	1.000	ST
14	6.906-511.0	Combination nozzle DN35	1.000	ST
1	6.900-385.0	Crevice nozzle DN35	1.000	ST
3	9.012-468.0	Extension pipe SE 4002/TUBO PROLUNGA SE	2.000	ST
5	6.904-143.0	Filter set	1.000	ZSA
13	9.001-803.0	Fresh water tank	1.000	ST
8	9.012-278.0	Hand nozzle Sprueh-ex/HOME LINE	1.000	ST
7	6.959-387.0	Holder accessories	1.000	ST
15	9.437-025.0	Hose complete SE	1.000	ST
16	9.012-277.0	Insert Teppichduese Spray-Ex	1.000	ST
9	9.001-801.0	Set closure SE5/6	1.000	ST
6	6.414-498.0	Set flat-pleated filter	1.000	ST
4	6.905-998.0	Upholstery nozzle complete NW35	1.000	ST
12	9.001-804.0	Waste water tank	1.000	ST
10	9.001-802.0	Wheels complete SE5001	1.000	ST

## 1 Spare parts list SE 5.100 (5.971-236.0)

---

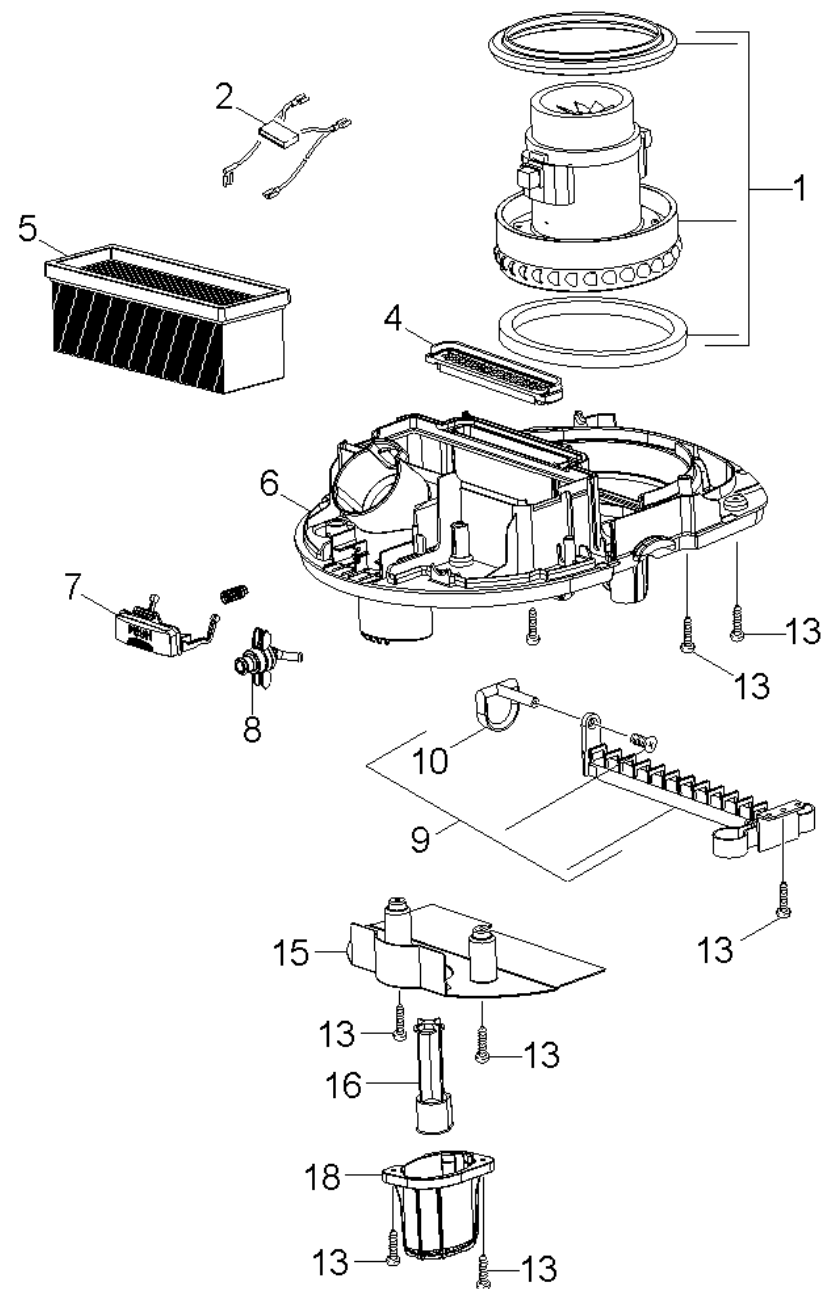
<b>POS</b>	<b>Description</b>	<b>Quantity</b>	<b>Unit</b>
40	Accessories	1.000	ST
10	Cover	1.000	ST
30	Tank	1.000	ST
20	Vacuum motor	1.000	ST



## 10 Cover

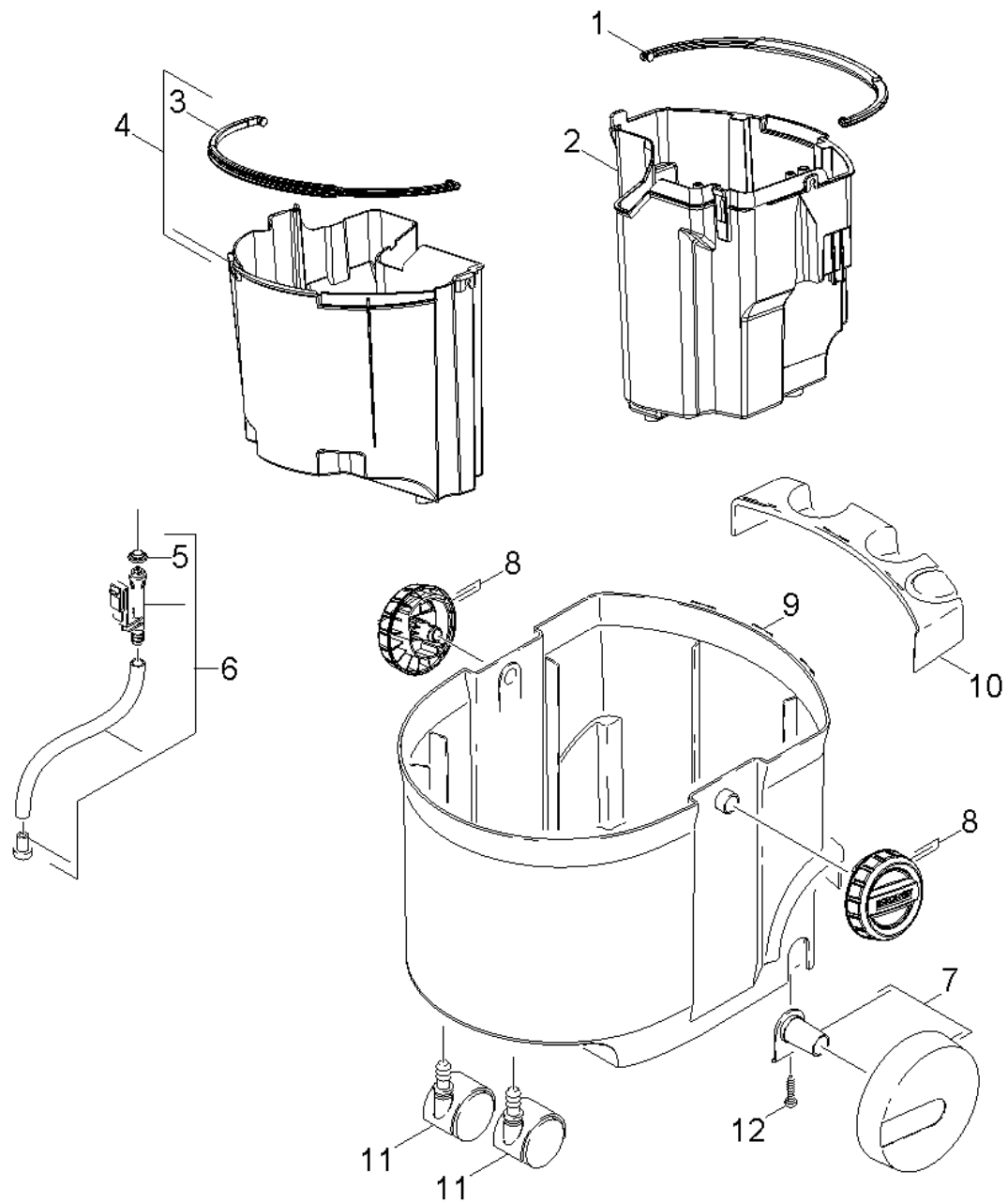
POS	Article no.	Description	Quantity	Unit	Foot note text
4	9.001-810.0	Button grey	1.000	ST	
1	9.001-812.0	Button grey On-Off	1.000	ST	
13	9.438-551.0	CABLE SCHUKO	1.000	ST	
10	6.903-241.0	Clamp clip	1.000	ST	
8	9.001-805.0	Cover black	1.000	ST	
7	9.001-807.0	Cover filter black	1.000	ST	VERSION 1
7	9.002-483.0	Cover filter black new	1.000	ST	VERSION 2
5	6.959-212.0	Filter pilot complete	1.000	ST	VERSION 1
15	9.439-534.0	Filter sponge	1.000	ST	
2	9.411-958.0	Handhold cover SE 5100/6100	1.000	ST	
23	9.002-478.0	Holder magnet complete 20x5	1.000	ST	
24	6.389-882.0	Hose clip 8,5-10,0	2.000	ST	
14	9.411-404.0	Housing turbine SE 5.100-6.100	1.000	ST	
22	6.959-229.0	Lever and magnet	1.000	ST	
21	6.959-228.0	Micro switch	1.000	ST	
6	6.959-211.0	O-Ring seal 22 x 1,8	1.000	ST	VERSION 1
18	9.037-940.0	Pressure pipe	1.000	ST	
9	6.303-150.0	Screw 4,2x 22	7.000	ST	
20	9.439-075.0	Seal	1.000	ST	
19	6.273-070.0	Seal string cellular rubber 4	1.000	M	
16	9.001-817.0	Set pump	1.000	ST	
17	9.439-073.0	Suction pipe	1.000	ST	
12	6.630-437.0	Switch on/off	1.000	ST	
11	9.477-021.0	Switch with LED	1.000	ST	





## 20 Vacuum motor

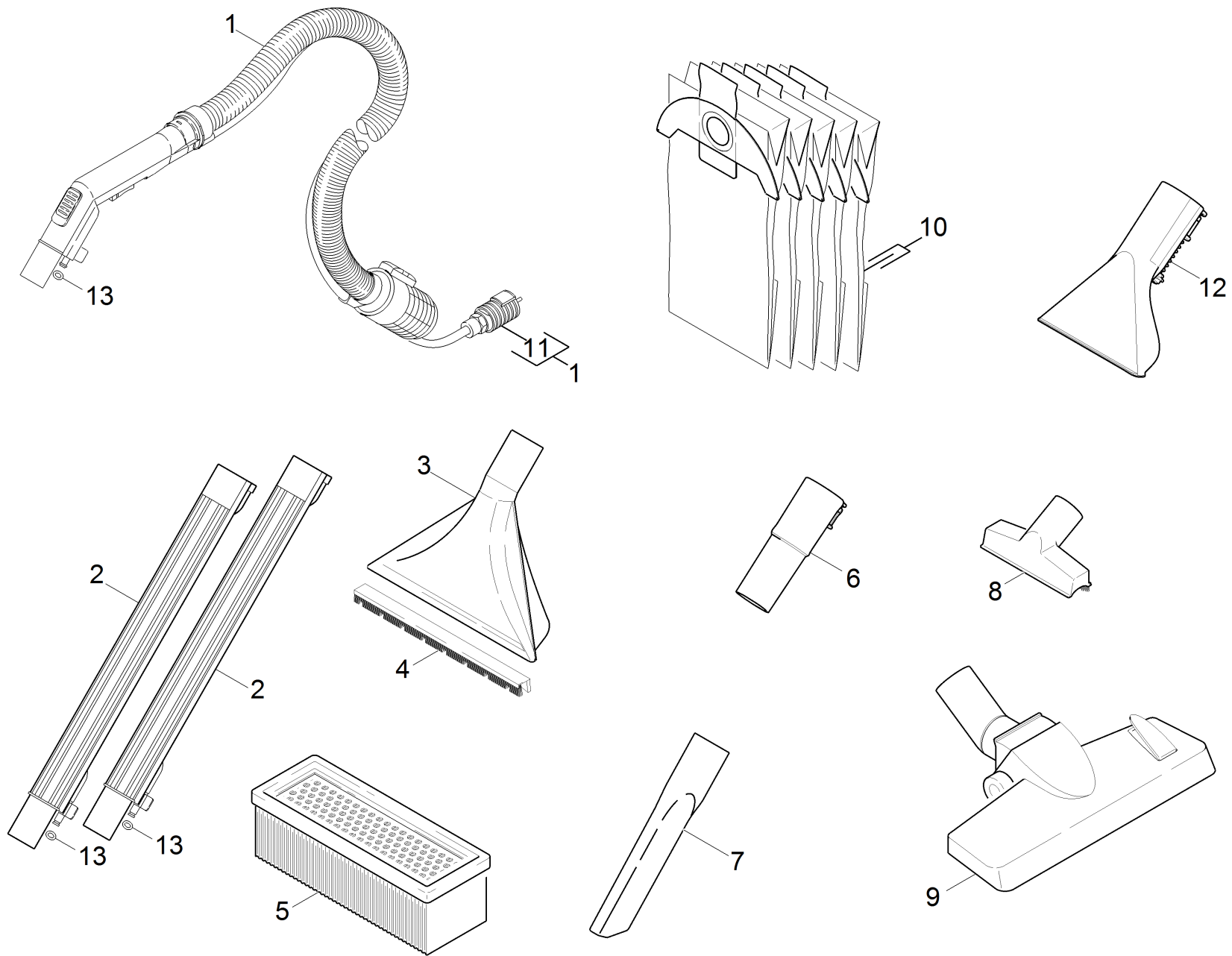
POS	Article no.	Description	Quantity	Unit
15	9.411-408.0	Baffle plate	1.000	ST
2	9.424-063.0	Cable with capacitor	1.000	ST
9	6.959-206.0	Filter vibrator complete	1.000	ST
6	9.411-594.0	Flange motor SE 5.100-6.100	1.000	ST
16	6.959-199.0	Float	1.000	ST
10	6.959-316.0	Hand grip	1.000	ST
8	9.418-562.0	Pressure valve	1.000	ST
7	9.412-455.0	Pushbutton cover	1.000	ST
13	6.303-150.0	Screw 4,2x 22	13.000	ST
4	9.439-072.0	Seal air circulation	1.000	ST
5	6.414-498.0	Set flat-pleated filter	1.000	ST
18	9.411-637.0	SWIMMER FRAME	1.000	ST
1	9.001-841.0	Universal motor 1200W	1.000	ST



## 30 Tank

---

POS	Article no.	Description	Quantity	Unit
1	9.437-538.0	Carrier handle	1.000	ST
3	9.437-539.0	Carrier handle	1.000	ST
11	6.435-353.0	Castor D 42	2.000	ST
6	9.002-021.0	complete filter tank se3001	1.000	ST
2	9.001-803.0	Fresh water tank	1.000	ST
10	6.959-387.0	Holder accessories	1.000	ST
5	6.959-482.0	Joint ring	1.000	ST
12	7.303-084.0	Screw 4x25 -10.9-R2R (K-In6Rd)	2.000	ST
8	9.001-801.0	Set closure SE5/6	1.000	ST
9	9.411-339.0	Tank yellow blank SE 3001	1.000	ST
4	9.001-804.0	Waste water tank	1.000	ST
7	9.001-802.0	Wheels complete SE5001	2.000	ST



## 40 Accessories

POS	Article no.	Description	Quantity	Unit
6	9.012-279.0	Adapter /ADATTATORE ACC.SE	1.000	ST
3	9.012-276.0	Carpet nozzle Spray-Ex	1.000	ST
7	6.900-385.0	Crevice nozzle DN35	1.000	ST
2	9.012-468.0	Extension pipe SE 4002/TUBO PROLUNGA SE	1.000	ST
10	6.904-143.0	Filter set	1.000	ZSA
9	6.906-955.0	Floor tool RD264 DN35, 1:40	1.000	ST
12	9.012-278.0	Hand nozzle Sprueh-ex/HOME LINE	1.000	ST
1	9.437-025.0	Hose complete SE	1.000	ST
4	9.012-277.0	Insert Teppichduese Spray-Ex	1.000	ST
13	6.362-487.0	O-Ring seal 5,7 X 1,9-NBR 70	3.000	ST
11	9.001-818.0	Set coupler	1.000	ST
5	6.414-498.0	Set flat-pleated filter	1.000	ST
8	6.905-998.0	Upholstery nozzle complete NW35	1.000	ST