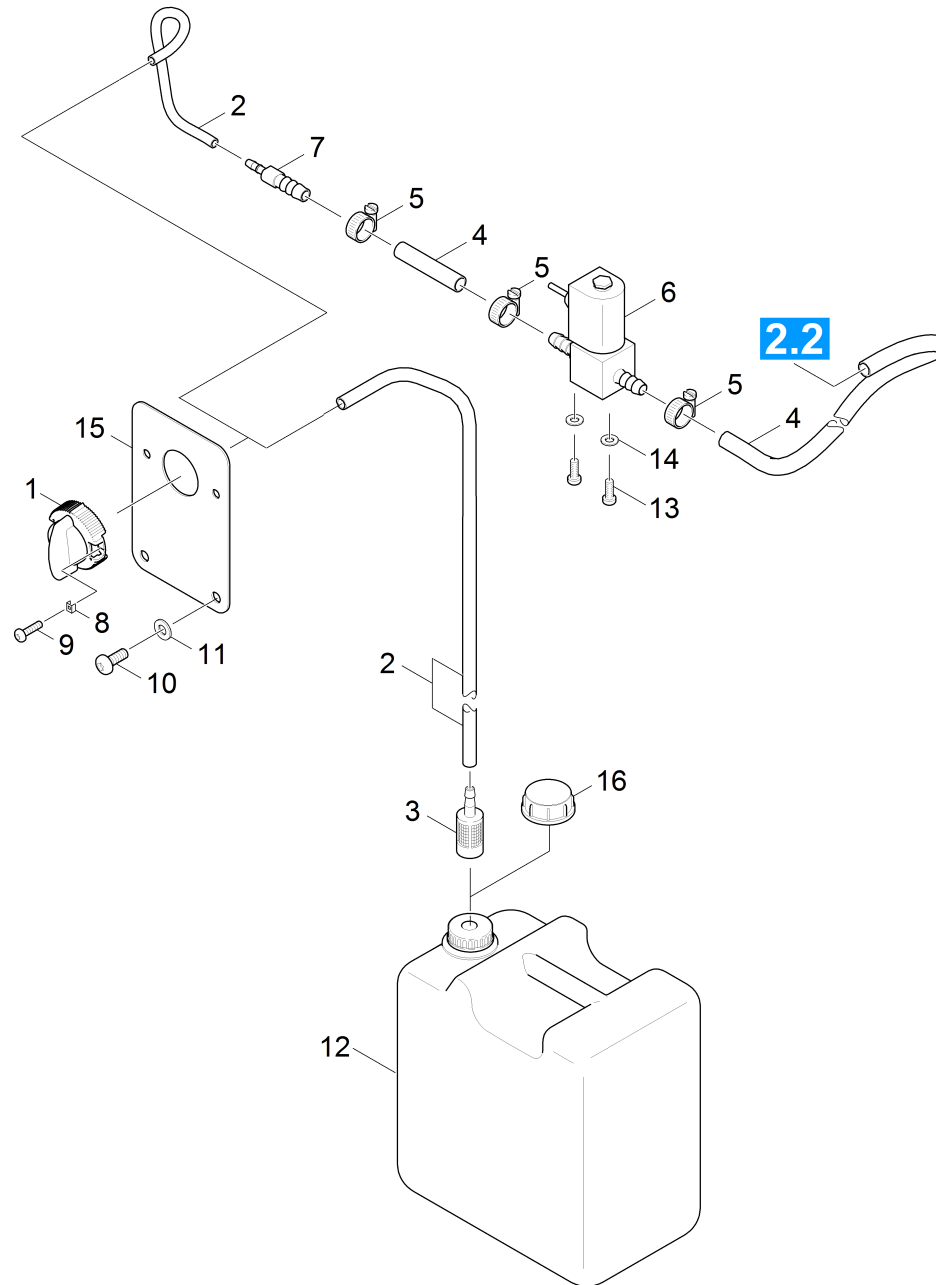


# 14 Chemistry metering

Professional \ Systems engineering \ Self-service appliances \ One and two place cleaner \ HDS-C 7/11 \ HDS -C 7/11 INOX \ Documentation folder \ Spare parts list HDS-C 7/11 / 9/15 silbe \ Basic machinery \ Chemistry metering



## 14 Chemistry metering

Professional \ Systems engineering \ Self-service appliances \ One and two place cleaner \ HDS-C 7/11 \ HDS -C 7/11 INOX \ Documentation folder \ Spare parts list HDS-C 7/11 / 9/15 silbe \ Basic machinery \ Chemistry metering

**KÄRCHER**

POS	Preces Nr.	Apraksts	Skaits	Vienība	Zemsvētras piezīme
16	6.394-674.0	Can cover DN60	1.000	ST	
12	6.393-483.0	Can nature 30l	1.000	ST	
8	5.053-157.0	Connecting piece	2.000	ST	
3	6.414-277.0	Filter	1.000	ST	
5	6.388-515.0	Hose clip	4.000	ST	
7	6.389-329.0	Hose nozzle 8/6	1.000	ST	
15	5.056-027.0	Plate	1.000	ST	
1	4.063-778.0	Proportioning valve chemistry	1.000	ST	
9	7.306-208.0	Screw M 4x16-A2-70 (IN6RD)	2.000	ST	
10	7.306-193.0	Screw M6x16 -A2-70 (In6Rd)	2.000	ST	
13	7.303-081.0	Sheet metal screw ST4,2X13-A2-70-SCHW (I	2.000	ST	
6	6.686-114.0	Solenoid valve	1.000	ST	
14	7.312-058.0	washer	2.000	ST	
11	7.312-026.0	Washer 6-A2 ISO 7090	2.000	ST	
2	6.388-216.0	Šjūtene DN 5	1.000	M	TO ORDER AS CUT GOODS
4	6.388-194.0	Šjūtene DN 7	1.000	M	TO ORDER AS CUT GOODS