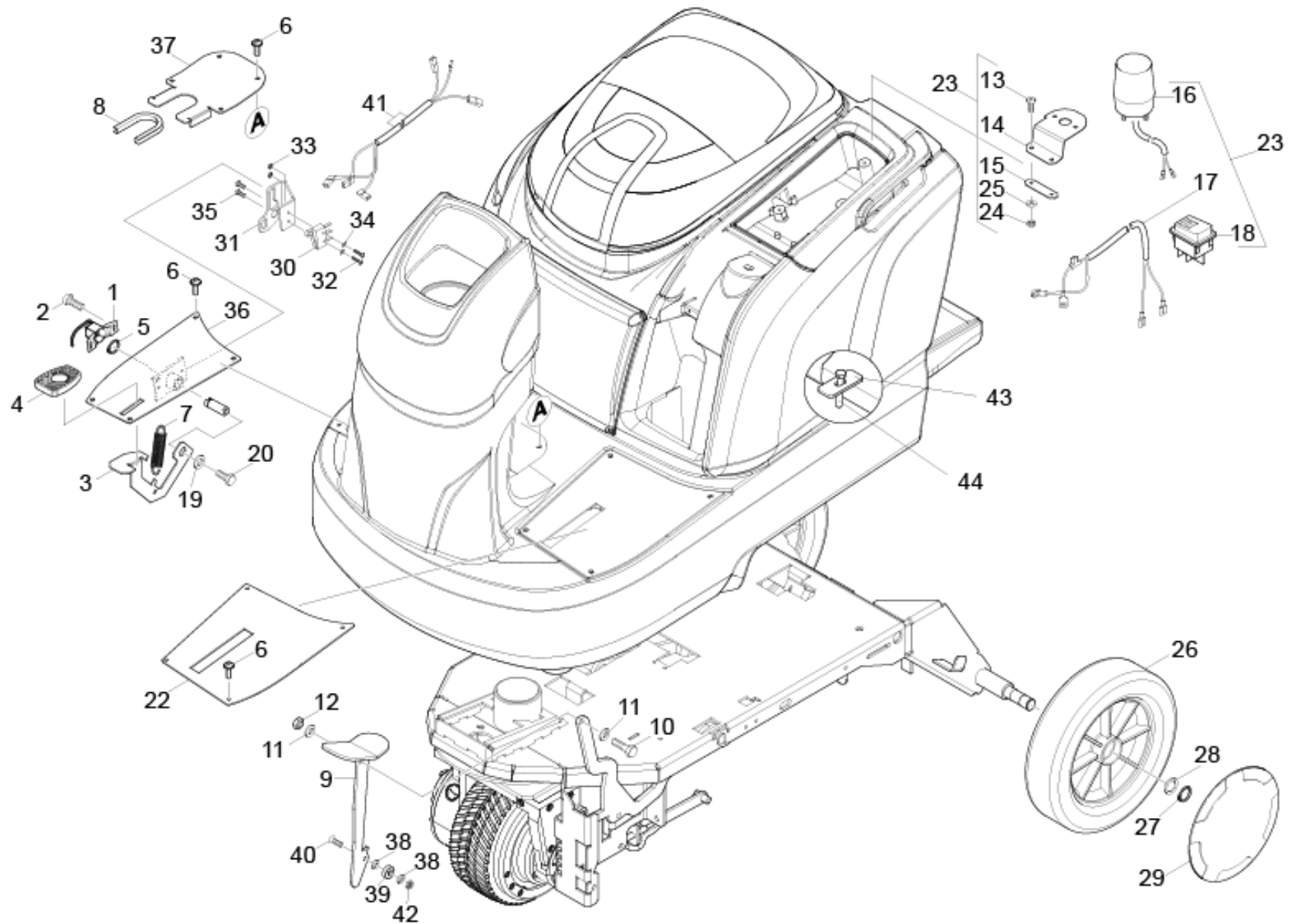


# 21 Pedal

Professional \ Floor cleaner \ Ride-on \ B 90 R \ B 90 R Classic Bp \ Carriage \ Pedal



## 21 Pedal

Professional \ Floor cleaner \ Ride-on \ B 90 R \ B 90 R Classic Bp \ Carriage \ Pedal



POS	Article no.	Description	Quantity	Unit	Foot note text
23	2.641-718.0	Add-on kit	1.000	ST	
39	7.401-149.0	Ball bearing 608-2RS -Wälzl.St DIN 625	1.000	ST	
36	4.033-756.0	Bottom plate complete	1.000	ST	
22	5.009-524.0	Bottom plate left	1.000	ST	
17	4.822-562.0	Cable harness Blitzer	1.000	ST	
4	6.321-046.0	Coating pedal	1.000	ST	
1	4.683-089.0	Control system Fahrregler Sensor B90R	1.000	ST	
41	2.641-417.0	Conversion kit cable kit micro switch B	1.000	ST	
40	7.305-013.0	Countersunk screw M8x20-8.8-A2R ISO1064	1.000	ST	
37	5.009-531.0	Cover plate steering	1.000	ST	
8	6.368-018.0	Edge protection	1.000	M	TO ORDER AS CUT GOODS
7	6.330-241.0	Extension spring	1.000	ST	
16	6.651-635.0	Flashing light orange 24 V	1.000	ST	
20	7.304-538.0	Hexagonal head screw M8x16-A4-70 ISO 40	1.000	ST	
10	7.304-399.0	Hexagonal head screw M 8x25-8.8-A2E ISO	1.000	ST	
44	7.304-422.0	Hexagonal head screw M10x65-8.8-A3E ISO	2.000	ST	
33	7.311-074.0	Hexagon nut M 2-8-A2E ISO 4032	2.000	ST	
24	7.311-002.0	Hexagon nut M5 -6-A2E ISO 4032	2.000	ST	
42	7.311-224.0	Hexagon nut M 8-04-A2E ISO 4035	1.000	ST	
12	7.311-510.0	Hexagon nut M 8-8-A2E ISO 7040	1.000	ST	
5	7.343-005.0	Locking ring 16x1-FST-PHR DIN 471	1.000	ST	
27	7.343-040.0	Locking ring 20x1,2 -St-ph DIN 471	2.000	ST	
30	6.635-560.3	Micro switch with roller lever IP 67	1.000	ST	
9	4.481-241.0	Pedal conscription head	1.000	ST	
15	5.010-059.0	Plate	1.000	ST	
43	5.009-635.0	Retaining plate fresh water tank	2.000	ST	
31	5.065-742.0	Retaining plate micro switch	1.000	ST	
14	5.010-058.0	Retaining plate warning light	1.000	ST	
6	7.303-107.0	Screw 5x16 -10.9-P2R (K-In6Rd)	12.000	ST	
32	7.306-045.0	Screw M2x20 -4.8-A2K DIN 84	2.000	ST	
35	7.306-213.0	Screw M5x6 -A2-70 (In6Rd)	2.000	ST	
2	7.303-037.0	Screw M5x10 -St-P2R (In6Rd)	2.000	ST	
13	7.306-077.0	Screw M5x16 -8.8-R2R (In6Rd)	2.000	ST	

## 21 Pedal

Professional \ Floor cleaner \ Ride-on \ B 90 R \ B 90 R Classic Bp \ Carriage \ Pedal

**KÄRCHER**

POS	Article no.	Description	Quantity	Unit	Foot note text
3	7.777-999.0	Stockpiling discontinued	1.000	ST	
18	6.632-476.0	Switch two-pole lamp	1.000	ST	
28	5.115-733.0	Washer	2.000	ST	
34	7.312-053.0	Washer 2,5-200HV-A3E ISO 7089	2.000	ST	
25	7.312-002.0	Washer 5-200HV-A3E ISO 7089	2.000	ST	
38	7.312-004.0	Washer 8 -200HV-A3E ISO 7089	2.000	ST	
11	7.312-004.0	Washer 8 -200HV-A3E ISO 7089	2.000	ST	
19	7.312-289.0	Washer 8 -A2 ISO 7093-1	1.000	ST	
26	6.435-350.3	Wheel	2.000	ST	
29	5.392-025.0	Wheel cap	2.000	ST	