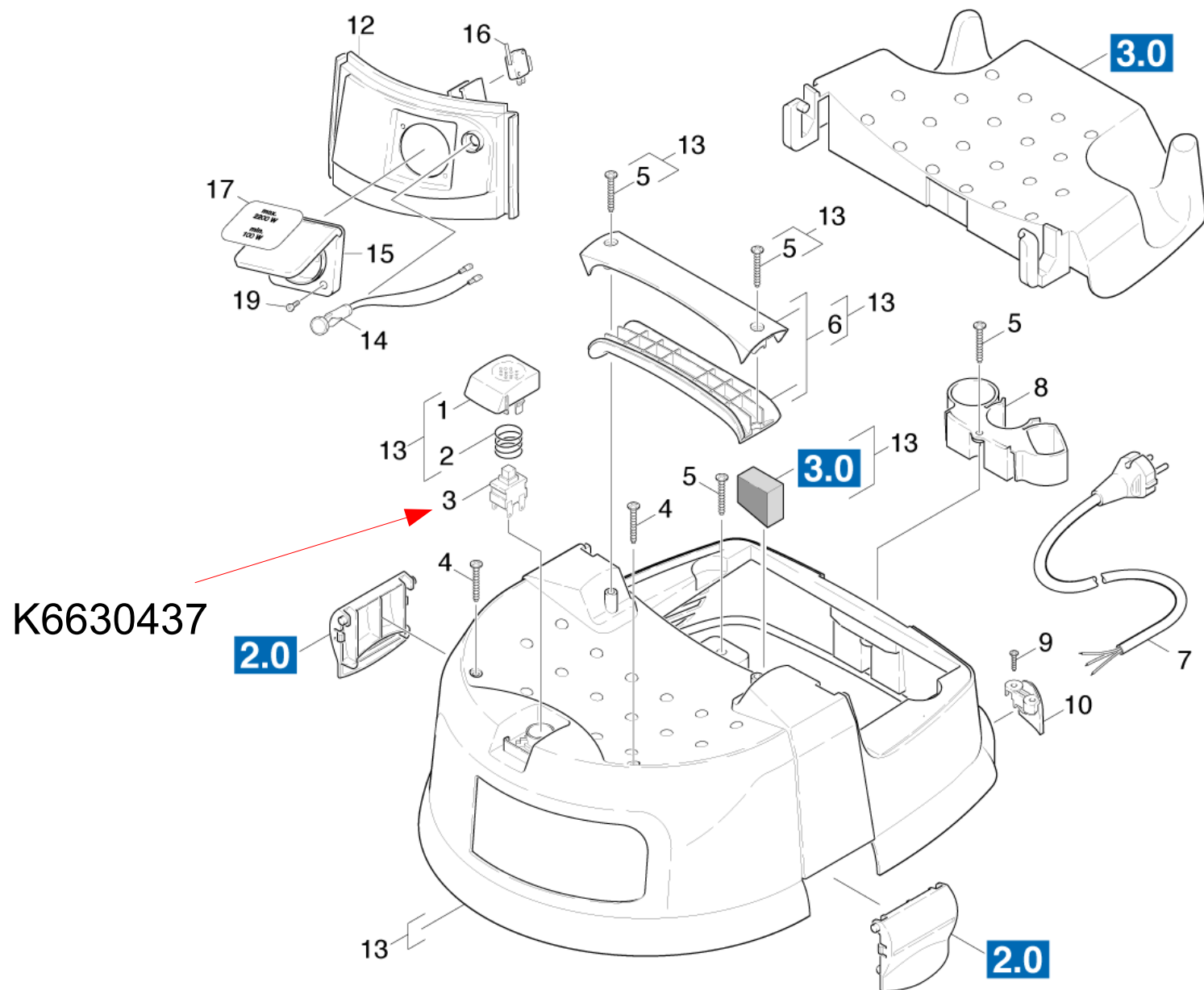


## 10 Cover individual parts (0.165-398.0)

Overview technical documents/Professional/Suction apparatus/Wet-/dry vacuum cleaner/VC 35 L MC (1.378-110.0)/Spare parts list VC 35 L MC/10 Cover individual parts (0.165-398.0)



## 10 Cover individual parts (0.165-398.0)

Overview technical documents/Professional/Suction apparatus/Wet-/dry vacuum cleaner/VC 35 L MC (1.378-110.0)/Spare parts list VC 35 L MC/10 Cover individual parts (0.165-398.0)

ET/VT (spare/wear parts)	Pos	Material #	Name	Qty.	Unit	from ser.nr.	up to ser.nr.
	1	5.324-044.0	Pushbutton OEM	1.000	ST	00000000000000000000	
	2	5.332-489.0	Spring switch OEM	1.000	ST	00000000000000000000	
X-X	3	6.630-437.0	Switch on/off	1.000	ST	00000000000000000000	
	4	7.303-155.0	Screw 5x100-A2-70 (IN6RD)	2.000	ST	00000000000000000000	
	5	7.303-154.0	Screw 5x50 -A2-70 (In6Rd)	4.000	ST	00000000000000000000	
	6	4.321-148.0	Handhold complete OEM	1.000	ST	00000000000000000000	
X-X	7	6.649-385.0	Power cable 7,5m Gummi *EU	1.000	ST	00000000000000000000	
	8	5.031-603.0	Holder accessories	1.000	ST	00000000000000000000	
	9	7.303-205.0	Screw 4x16-St-10.9-R2R (In6Rd)	2.000	ST	00000000000000000000	
	10	5.031-794.0	Strain relief TE	1.000	ST	00000000000000000000	
	12	5.841-393.0	Control panel OEM	1.000	ST	00000000000000000000	
	13	4.066-393.0	Cover complete VC 35 L MC	1.000	ST	00000000000000000000	
	14	6.651-433.0	Pilot lamp green	1.000	ST	00000000000000000000	
X-X	15	6.646-432.0	Plug socket *EUROPA	1.000	ST	00000000000000000000	
X-X	16	6.630-135.0	Micro switch	1.000	ST	00000000000000000000	
	17	5.383-840.0	Label 2200 W	1.000	ST	00000000000000000000	
	19	6.303-318.0	Screw 3,5x12-10.9-R2R (IN6RD)	2.000	ST	00000000000000000000	