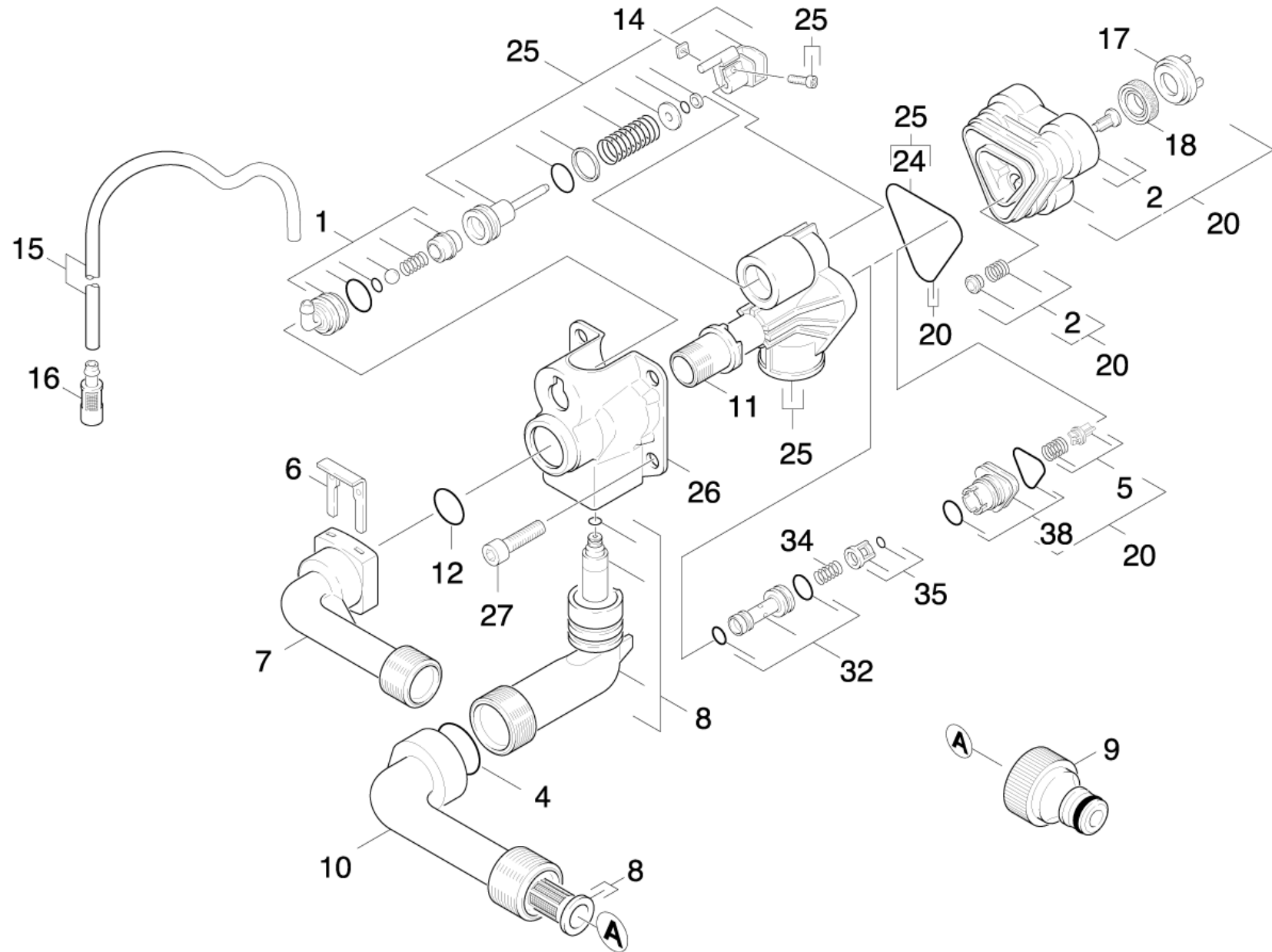


21 Housing

Overview technical documents/Home & Garden/High pressure cleaner cold water/Electric motor/K 4/K 4.990MD Plus T250 *EU (1.636-653.0)/Spare parts list K 49XM/20 Pump set/21 Housing



21 Housing

Overview technical documents/Home & Garden/High pressure cleaner cold water/Electric motor/K 4/K 4.990MD Plus T250 *EU (1.636-653.0)/Spare parts list K 49XM/20 Pump set/21 Housing

Rez.daļas/nodil.pakļ.daļas	Poz.	Materiāla Nr.	Nosaukums	Daudzums	Pārdoš. vienība	no sēr. Nr..	līdz sēr. Nr.
X-X	1	9.001-741.0	Korpasa kompaktais modulis, priekšējais	1.000	ST	0000000000	0000000000
X-X	2	9.001-110.0	Veidnes detaļa, pilns komplekts	1.000	ST	0000000000	0000000000
	4	9.081-420.0	O-Ring d.17,86x2,62	1.000	ST	0000000000	0000000000
	5	9.001-149.0	Vārstu komplekts	1.000	ST	0000000000	0000000000
	6	9.039-148.0	metal fork	1.000	ST	0000000000	0000000000
X-X	7	9.036-703.0	Sāna padeves savienojums	1.000	ST	0000000000	0000000000
X-X	8	9.001-187.0	Iepilūdes līkums	1.000	ST	0000000000	0000000000
X-X	9	6.465-031.0	connection	1.000	ST	0000000000	0000000000
X-X	10	9.036-801.0	Īscaurule iesūkšanas pusē, melna	1.000	ST	0000000000	0000000000
X-X	11	9.036-444.0	Uzmava	1.000	ST	0000000000	0000000000
X-X	12	6.362-151.0	Gredzenblīve 10 x 2 NBR 70	1.000	ST	0000000000	0000000000
	14	7.311-569.0	Square nut M4 -04-A2E DIN 562	1.000	ST	0000000000	0000000000
	15	6.388-216.0	Šļūtene DN 5	1.000	M	0000000000	0000000000
X	16	5.731-652.0	Filtrs ar atsvariņu	1.000	ST	0000000000	0000000000
X	17	9.036-322.0	Atbalsta paplāksne	3.000	ST	0000000000	0000000000
X-X	18	6.362-875.0	Gredzens ar gropi	3.000	ST	0000000000	0000000000
X-X	20	9.001-105.0	Cilindra galvas rezerves daļu komplekts	1.000	ST	0000000000	0000000000
X-X	24	9.081-422.0	Veidnes blīve	1.000	ST	0000000000	0000000000
X-X	25	9.001-104.0	Sadales galvas rezerves daļu komplekts	1.000	ST	0000000000	0000000000
	26	9.039-117.0	Pārsegs	1.000	ST	0000000000	0000000000
	27	9.086-200.0	Screw M 8x55 Class 8.8	4.000	ST	0000000000	0000000000
	32	9.001-108.0	Inžektors, pilns komplekts	1.000	ST	0000000000	0000000000
	34	9.047-026.0	Atspere	1.000	ST	0000000000	0000000000
	35	9.001-107.0	Aptvere, pilns komplekts	1.000	ST	0000000000	0000000000
	38	9.001-106.0	Savienotājdetaļa	1.000	ST	0000000000	0000000000