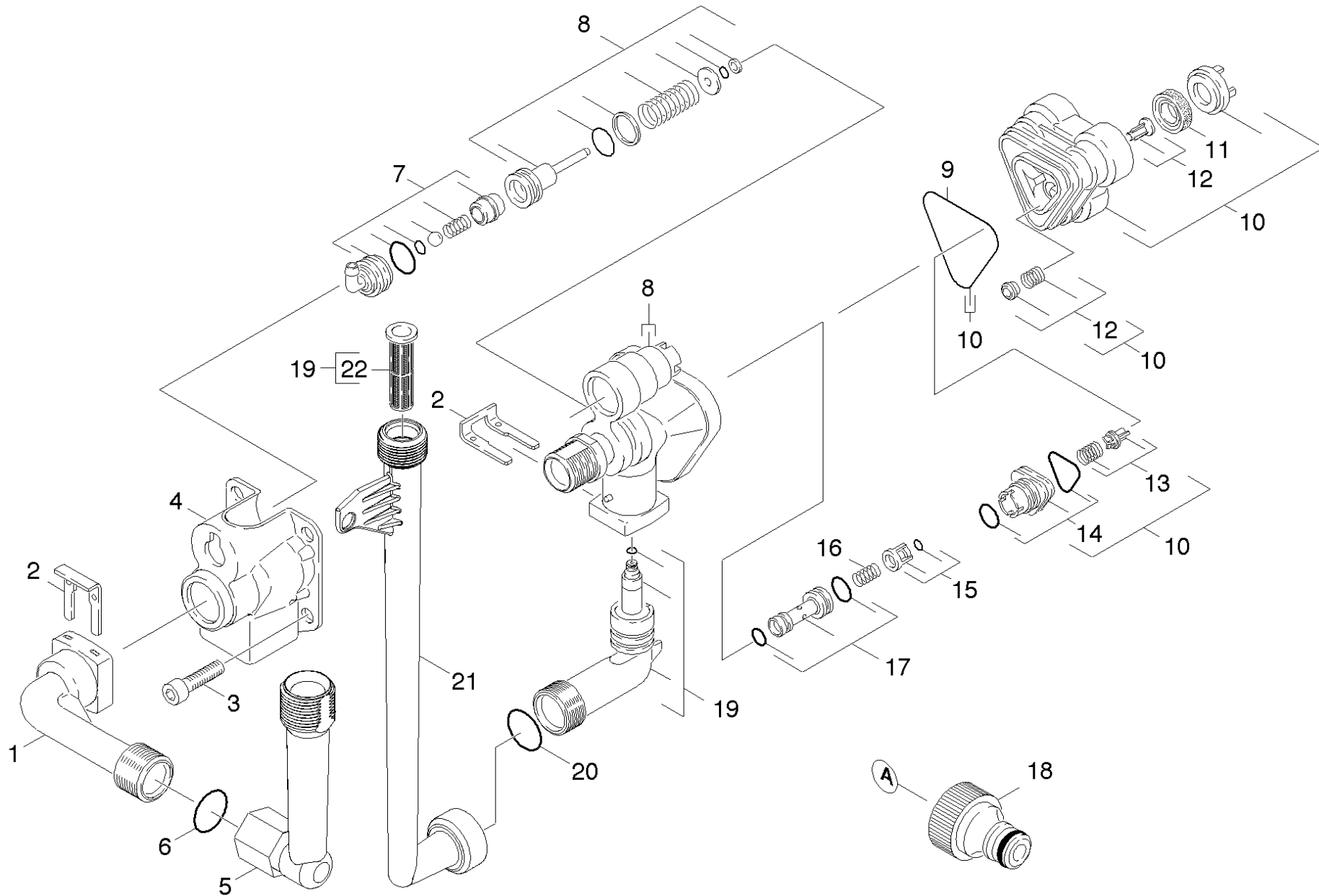


21 Housing

Home and Garden \ High pressure cleaner cold water \ Electric motor \ K 3 \ K 3.96M-Plus *EU \ Spare parts list K 3.96 \ Pump set \ Housing



21 Housing

Home and Garden \ High pressure cleaner cold water \ Electric motor \ K 3 \ K 3.96M-Plus *EU \ Spare parts list K 3.96 \ Pump set \ Housing

KÄRCHER

POS	Article no.	Description	Quantity	Unit	Foot note text
1	9.036-703.0	Connection delivery side	1.000	ST	
2	9.039-148.0	Metal fork	2.000	ST	
3	9.086-200.0	Screw M 8x55 Class 8.8	4.000	ST	
4	9.039-308.0	Cover K130	1.000	ST	
5	9.002-524.0	Output complete K7	1.000	ST	
6	6.362-151.0	O-Ring d. 10 x 2 NBR 70	1.000	ST	
7	9.001-741.0	Aspiration cleaning agents for replaceme	1.000	ST	
8	9.001-361.0	Spare parts set control head	1.000	ST	
9	9.081-422.0	Form seal	1.000	ST	
10	9.001-215.0	Spare part set cylinder head	1.000	ST	
11	6.362-875.0	Grooved ring	3.000	ST	
12	9.001-110.0	Moulded part complete	1.000	ST	SET CONSISTS OF 3X MACHINED PART COMPL.
13	9.001-149.0	Spare parts set valve	1.000	ST	SET CONSISTS OF 3X MACHINED PART COMPL.
14	9.001-106.0	Joining piece	1.000	ST	
15	9.001-107.0	Cage complete	1.000	ST	
16	9.047-026.0	Spring	1.000	ST	
17	9.001-108.0	Injector complete	1.000	ST	
18	6.465-031.0	Connection 3/4	1.000	ST	
19	9.001-375.0	Spare parts set suction connection	1.000	ST	
20	9.081-420.0	O-Ring d.17,86x2,62	1.000	ST	
21	9.037-093.0	Tube water intake	1.000	ST	
22	5.731-598.0	Fine filter long	1.000	ST	