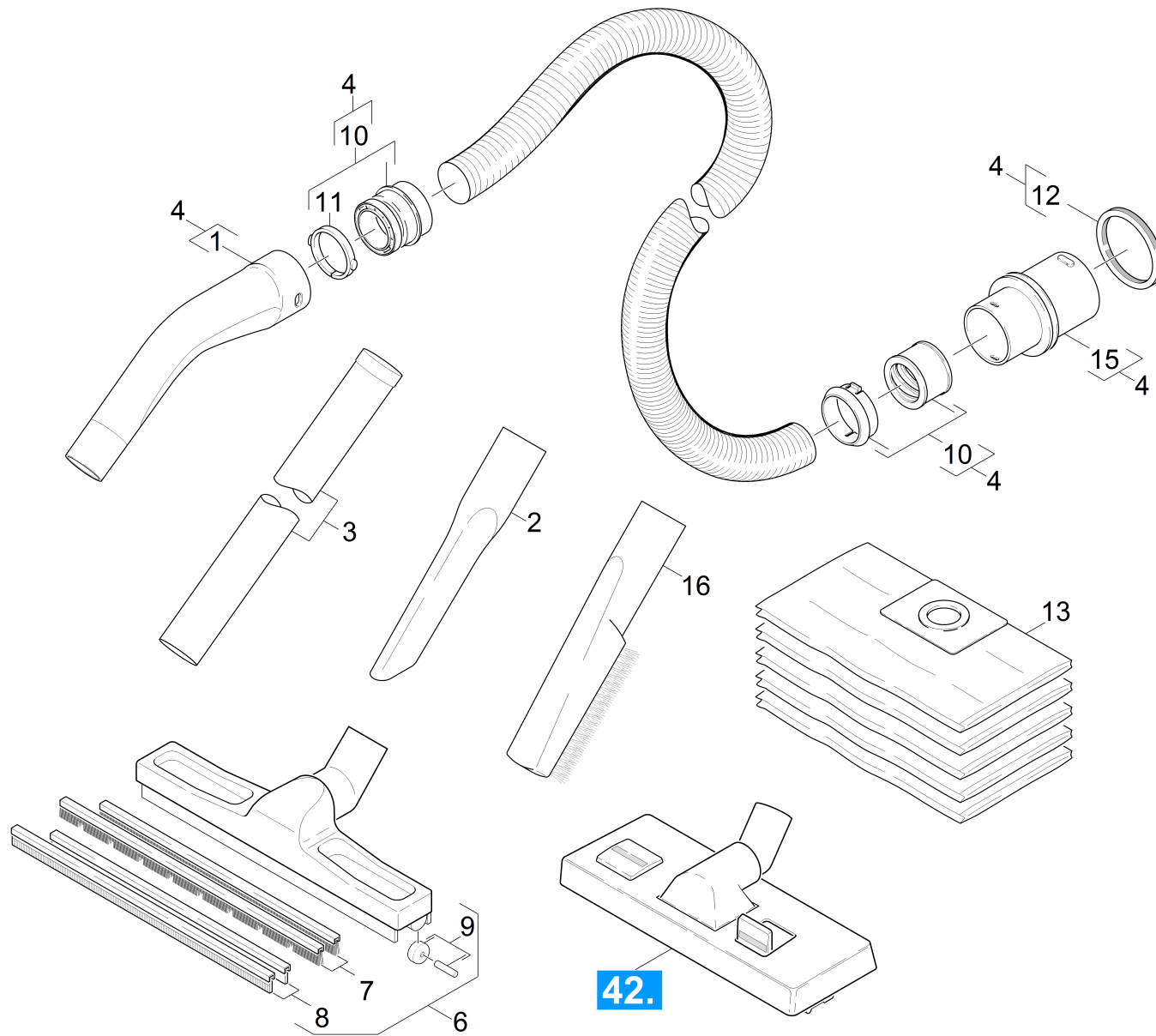


## 41 Accessories

Overview technical documents/Professional/Vacuum cleaner/Wet-/dry vacuum cleaner/NT 27/1 (1.428-514.0)/Spare parts list NT 27/1/40 Accessories NT 27/1 ME/41 Accessories



## 41 Accessories

Overview technical documents/Professional/Vacuum cleaner/Wet-/dry vacuum cleaner/NT 27/1 (1.428-514.0)/Spare parts list NT 27/1/40 Accessories NT 27/1 ME/41 Accessories

Rez.daļas/nodil.pakļ.daļas	Poz.	Materiāla Nr.	Nosaukums	Daudzums	Pārdoš. vienība	no sēr. Nr..	līdz sēr. Nr.
X-X	1	5.031-718.0	Elbow	1.000	ST	0000000000	0000000000
X-X	2	6.906-240.0	Šaurais uzgalis stūriem DN35	1.000	ST	0000000000	0000000000
X-X	3	6.902-154.0	Sūkšanas caurule DN35	2.000	ST	0000000000	0000000000
	4	4.440-948.0	Suction hose C35	1.000	ST		
Pozīcijas teksts: / 1.428-106.0 / -107.0 / -108.0 / -110.0 / -514.0 / -515.0 / -516.0 / -517.0 / -518.0							
X-X	4	4.440-626.0	Suction hose C DN35	1.000	ST	0000000000	0000000000
Pozīcijas teksts: / 1.428-101.0 / -102.0 / -104.0 / -111.0 / -501.0 / -502.0 / -503.0 / -504.0 / -505.0 / -507.0 / -511.0							
X-X	6	6.906-512.0	Darbarīks grīdām DN35	1.000	ST	0000000000	0000000000
	7	6.903-278.0	Birstes gumiju komplekts	1.000	ST	0000000000	0000000000
X	8	6.903-277.0	Gumijas lūpas 30cm	1.000	ST	0000000000	0000000000
	9	4.515-342.0	Roller with axle	2.000	ST	0000000000	0000000000
	10	2.639-690.0	Repair set	1.000	ST	0000000000	0000000000
	11	5.031-703.0	Tension ring C35	1.000	ST	0000000000	0000000000
	11	5.033-652.0	Tension ring yellow	1.000	ST		
X	12	6.273-009.0	Joint ring EPDM	1.000	ST	0000000000	0000000000
X-X	13	6.904-290.0	Filtru maisi papīra, 5 iep.NT48/65/75/80	1.000	ST	0000000000	0000000000
	15	5.443-464.0	Šļūtenes uzgalis	1.000	ST	0000000000	0000000000
X-X	16	6.900-425.0	Daudzfunkcionāla birste	1.000	ST		