

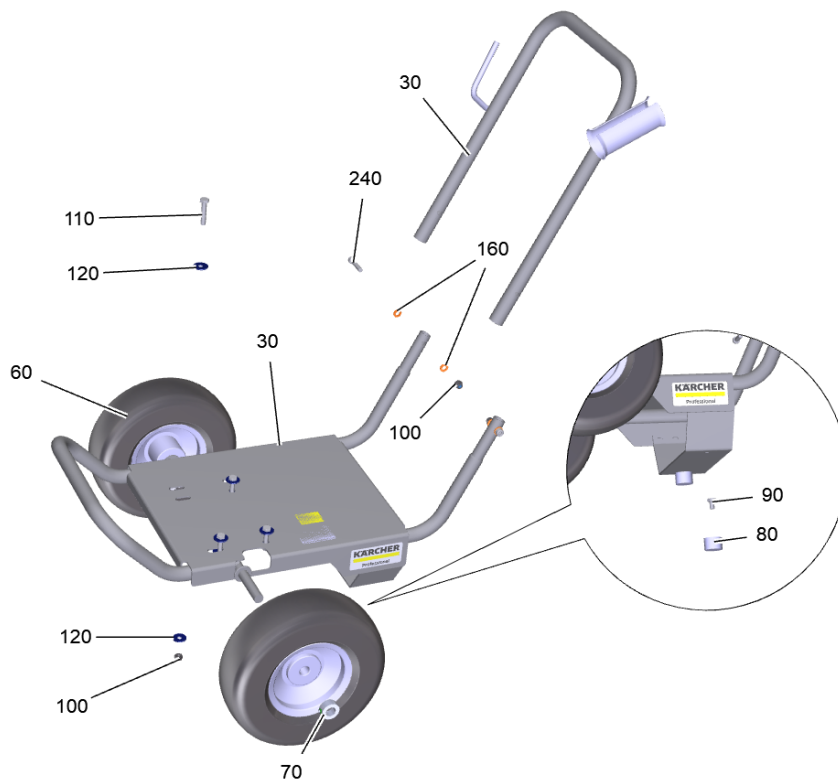
## **Spare parts list**

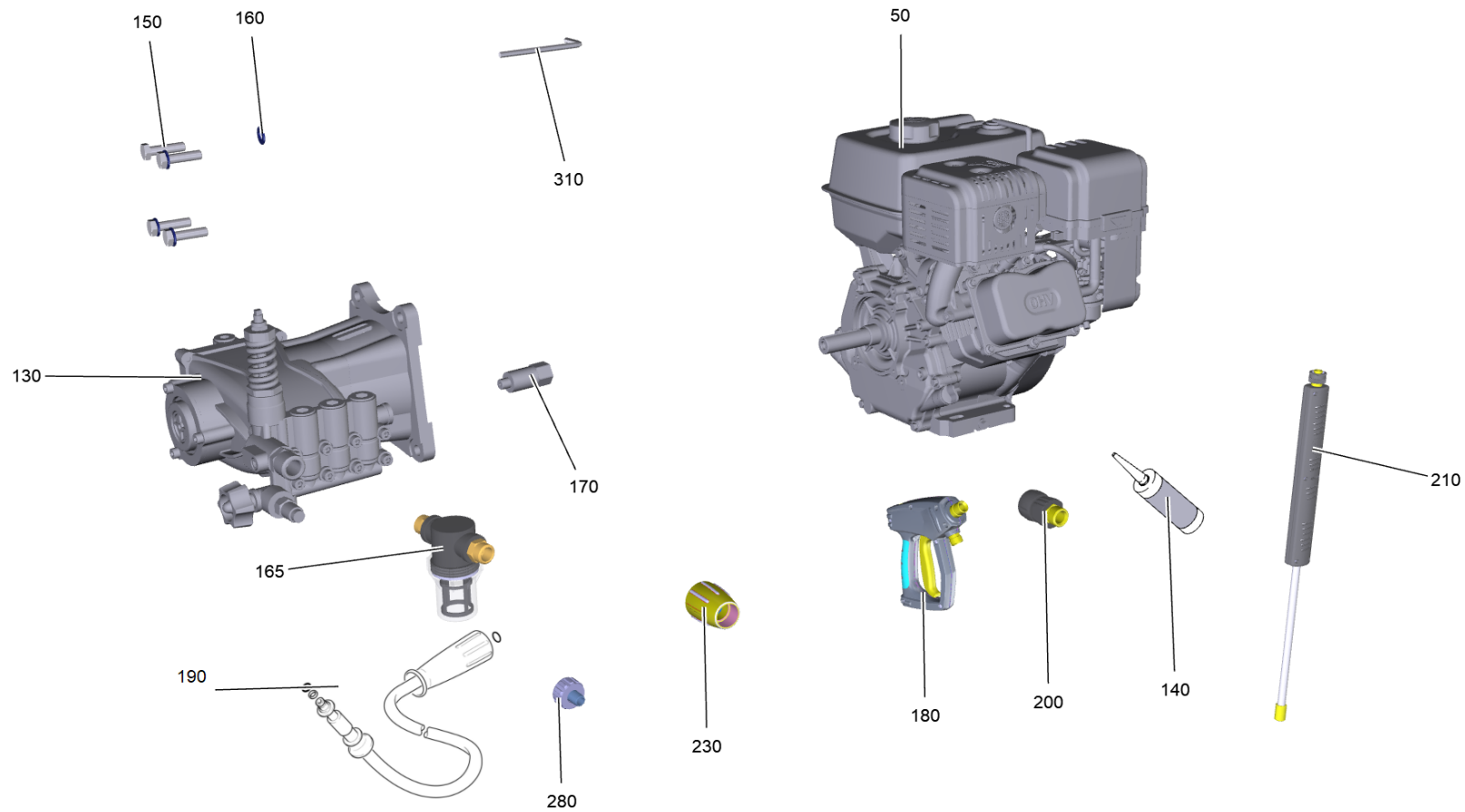
(1.187-011.0) HD 7/20 G Classic

## Table of contents

---

HD 7/20 G Classic (1.187-011.0)	3
50 Gasoline engine G210FA (9.768-438.0)	6
10 Cylinder head	7
20 Crankcase	9
30 Crankcase covering cap	11
40 Crankshaft	13
60 Starter assembly group	15
80 Carburetor	16
90 Blower wheel	18
100 Motor control system	20
120 Silencer	22
130 Fuel tank	24
130 Pump set station 3000 psi (9.751-416.0)	26
10 Cylinder head for replacement W36-3000 (9.751-575.0)	28
30 Pump set for replacement (9.751-442.0)	30
210 Jet pipe for replacement 600mm (9.751-140.0)	32
280 Screw connector part (4.401-056.0)	34



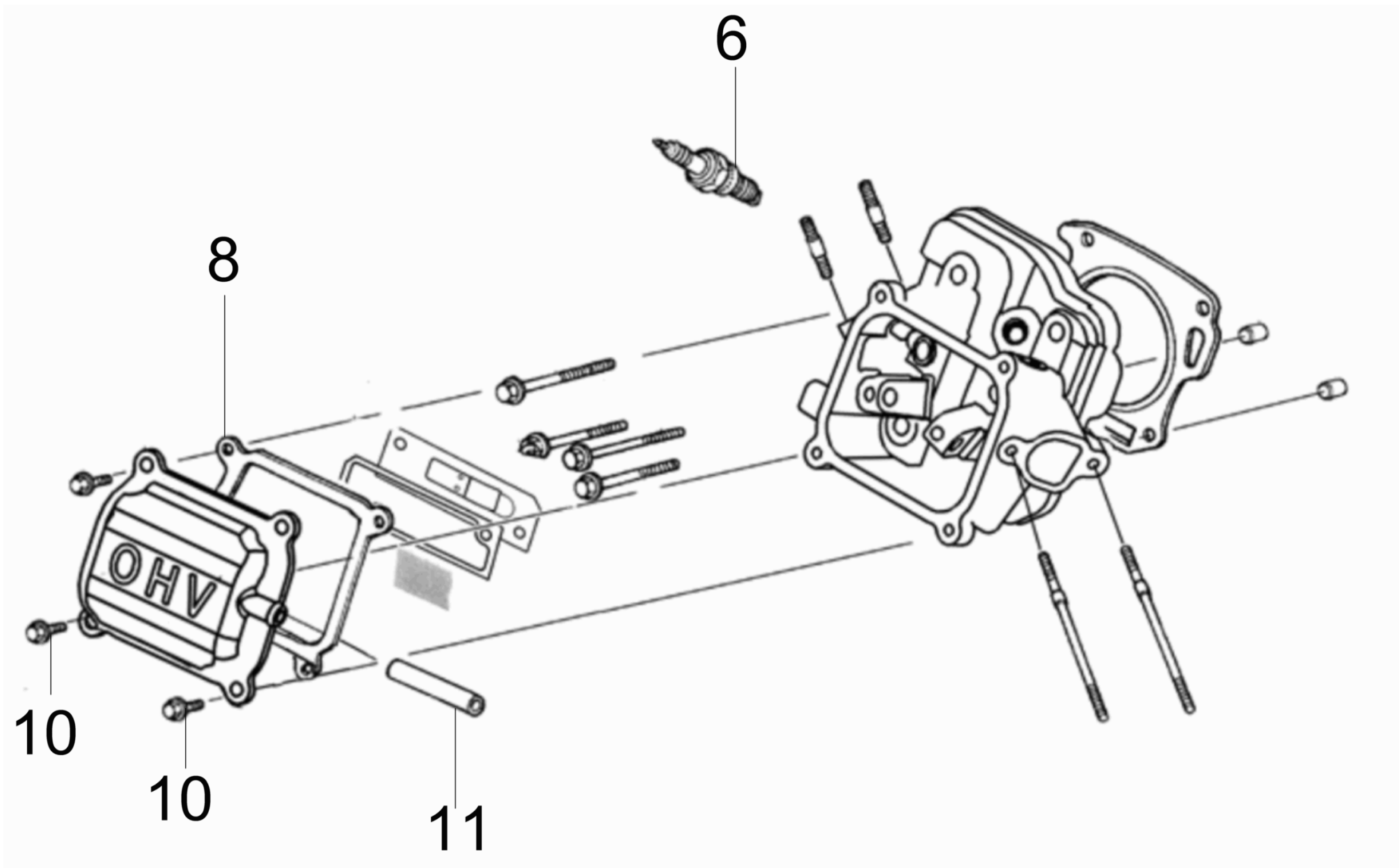


HD 7/20 G Classic (1.187-011.0)

POS	Article no.	Description	Quantity	Unit
30	9.751-396.0	Frame complete entry class	1	PC
40	9.751-397.0	Handle complete entry class	1	PC
50	9.768-438.0	Gasoline engine G210FA	1	PC
60	9.768-437.0	Wheel PU D260x81xd16	2	PC
70	9.761-446.0	Adjusting ring	2	PC
80	9.761-629.0	Rubber buffer 30x20	2	PC
90	7.304-394.0	Hexagonal head screw M8x12 -8.8-A2E ISO	2	PC
100	7.311-510.0	Hexagon nut M 8-8-A2E ISO 7040	6	PC
110	7.304-404.0	Hexagonal head screw M8x40-8.8-A2E ISO	4	PC
120	7.312-277.0	Washer 8-200HV-A2E ISO7093-1	8	PC
130	9.751-416.0	Pump set station 3000 psi	1	PC
140	9.761-206.0	Fitting grease crankshaft	1	ZST
150	7.304-400.0	Hexagonal head screw M 8x30-8.8-A2E ISO	4	PC
160	7.312-004.0	Washer 8 -200HV-A3E ISO 7089	10	PC
165	9.768-772.0	Water Filter 2x3/4" Male	1	PC
170	9.768-562.0	Safety valve station W36 25MPa	1	PC
180	9.751-376.0	Classic pistol M 22x1,5 / 60°C	1	PC
190	9.751-313.0	High pressure hose assembly DN6 25MPa	1	PC
200	9.761-462.0	Rotating coupler	1	PC
210	9.751-140.0	Jet pipe for replacement 600mm	1	SET
220	2.885-255.0	Power nozzle 25035-1	1	PC
230	5.401-210.0	Screw connector part	1	PC
240	7.306-114.0	Cylinder head screw M 8x40-A2-70 ISO 47	2	PC
280	4.401-056.0	Screw connector part	1	PC
310	7.815-139.0	Cranked wrench key 4,0-St ISO 2936	1	PC

50 Gasoline engine G210FA (9.768-438.0)

POS	Article no.	Description	Quantity	Unit
10		Cylinder head	1	PC
20		Crankcase	1	PC
30		Crankcase covering cap	1	PC
40		Crankshaft	1	PC
60		Starter assembly group	1	PC
80		Carburetor	1	PC
90		Blower wheel	1	PC
100		Motor control system	1	PC
110	9.768-517.0	Air filter	1	PC
120		Silencer	1	PC
130		Fuel tank	1	PC

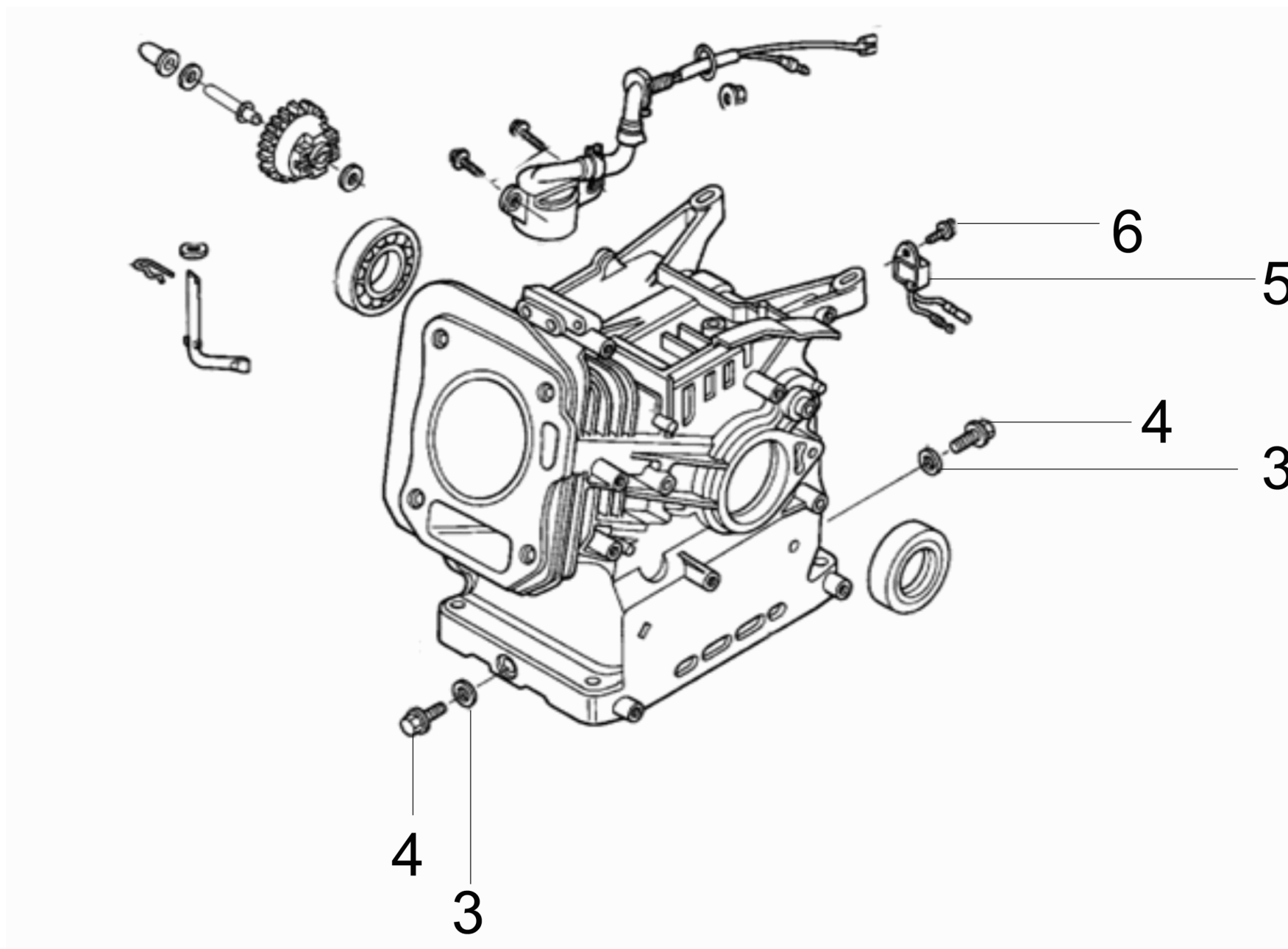


## 10 Cylinder head

---

<b>POS</b>	<b>Article no.</b>	<b>Description</b>	<b>Quantity</b>	<b>Unit</b>
6	6.491-051.0	Ignition plug	1	PC
8	6.491-029.0	Cover seal	1	PC
10	6.491-058.0	Screw M6x14 Q16 GB/T 16674	4	PC
11	6.491-062.0	Vent pipe	1	PC

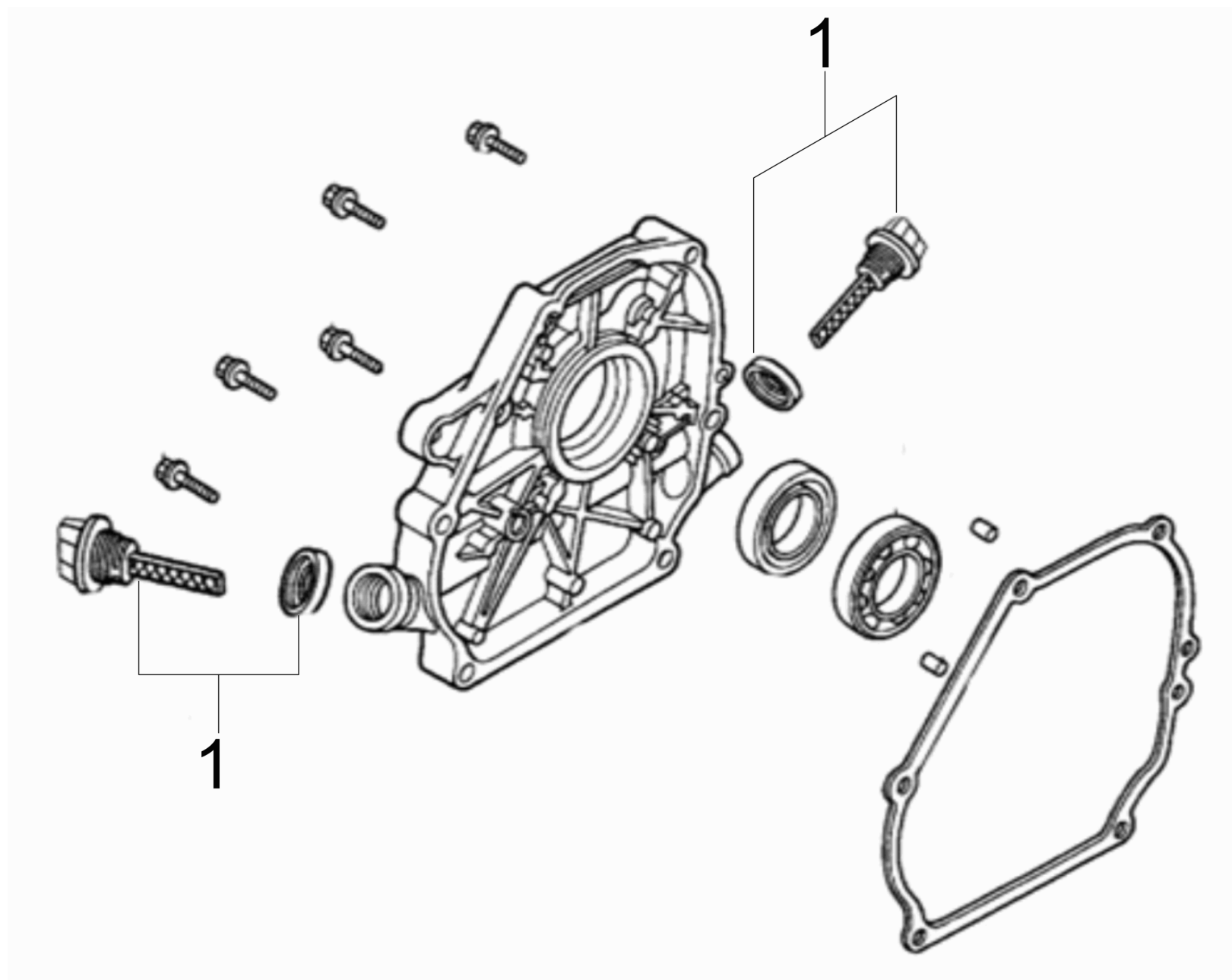




## 20 Crankcase

---

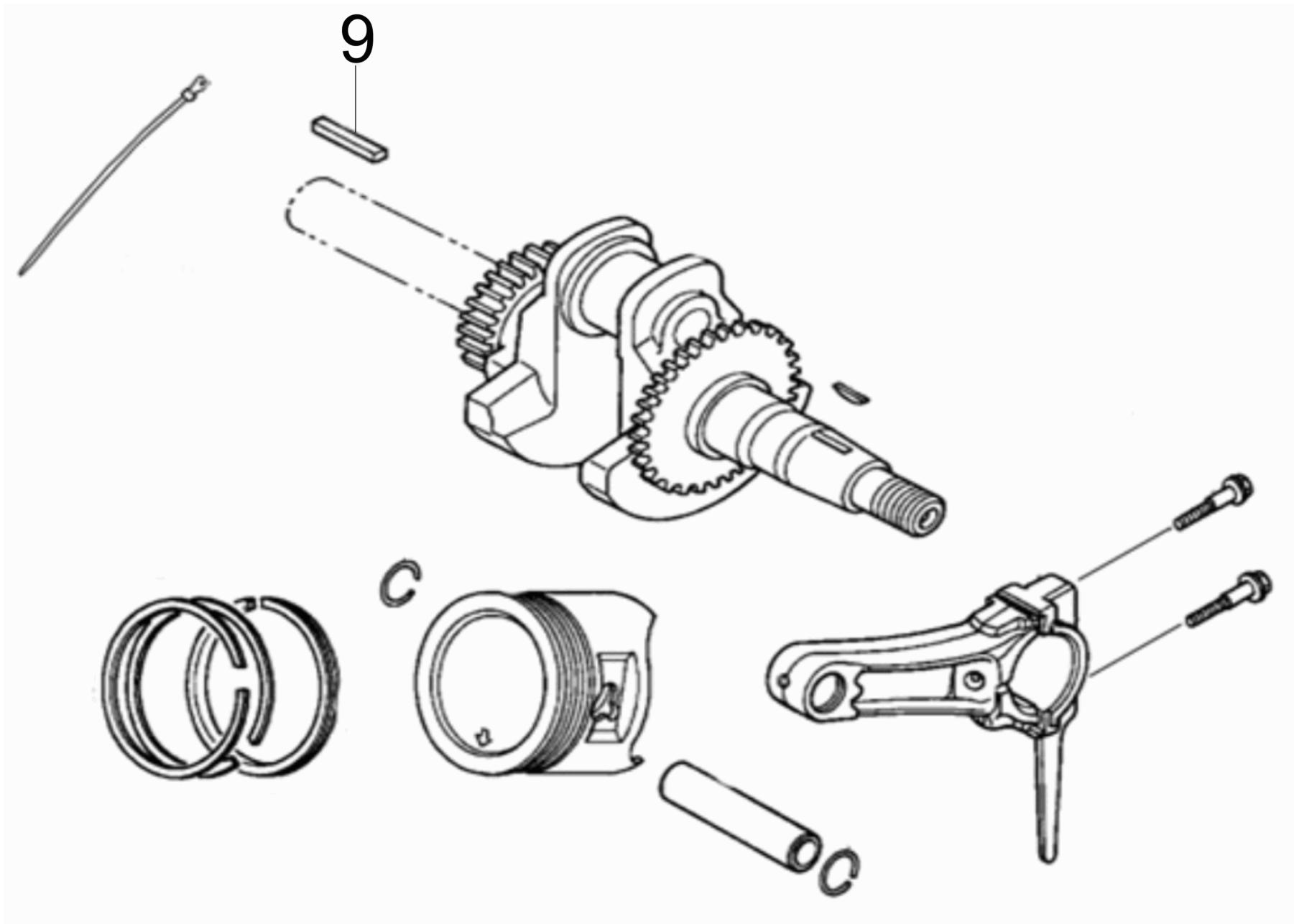
<b>POS</b>	<b>Article no.</b>	<b>Description</b>	<b>Quantity</b>	<b>Unit</b>
3	7.362-404.0	Joint ring 10x16-CU DIN 7603	2	PC
4	6.491-030.0	Drain screw	2	PC
5	6.491-053.0	Safety switch	1	PC
6	6.491-054.0	Screw M6x10 Q16 GB/T 16674	1	PC



30 Crankcase covering cap

---

POS	Article no.	Description	Quantity	Unit
1	6.491-031.0	Oil level gauge	2	PC



## 40 Crankshaft

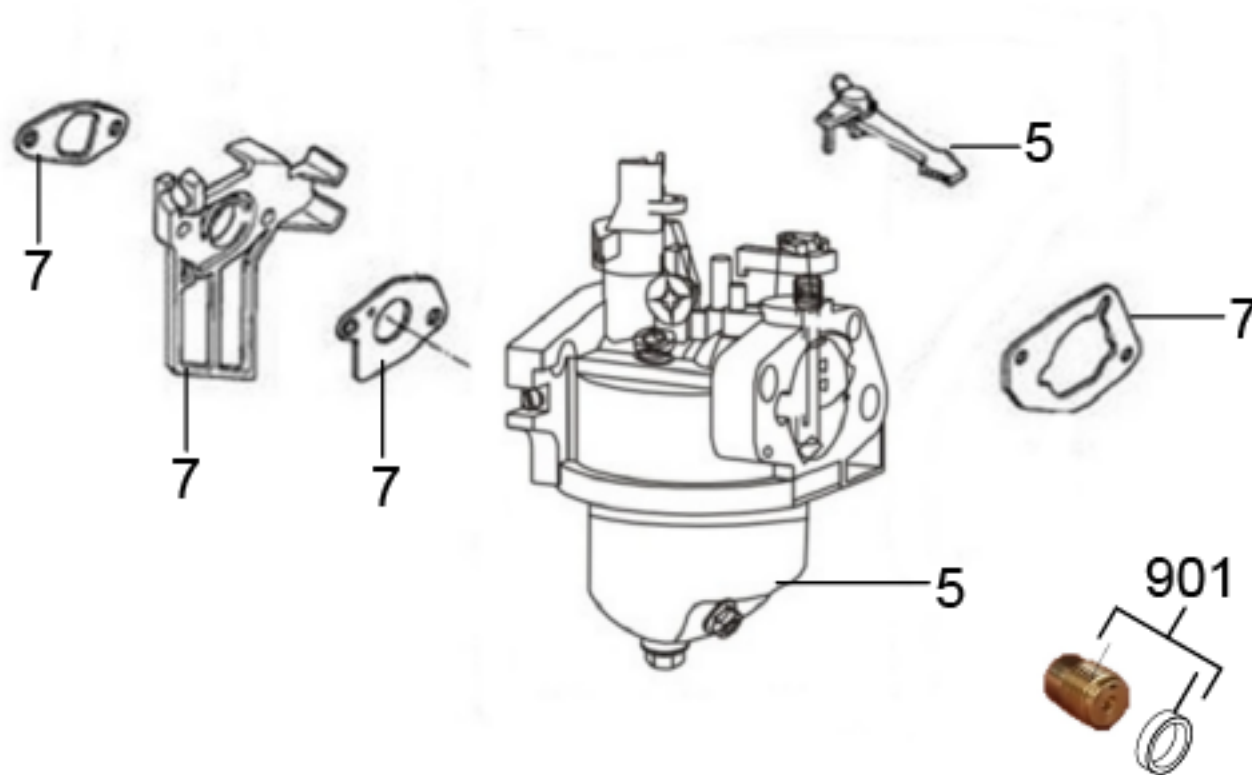
---

POS	Article no.	Description	Quantity	Unit
9	6.491-231.0	Parallel key 4,78	1	PC

## 60 Starter assembly group

---

<b>POS</b>	<b>Article no.</b>	<b>Description</b>	<b>Quantity</b>	<b>Unit</b>
1	9.751-459.0	Covering cap pull cord	1	PC
3	6.491-055.0	Screw M6x8 Q16 GB/T 16674	4	PC
5	6.491-054.0	Screw M6x10 Q16 GB/T 16674	5	PC
6	6.491-052.0	Switch motor off	1	PC

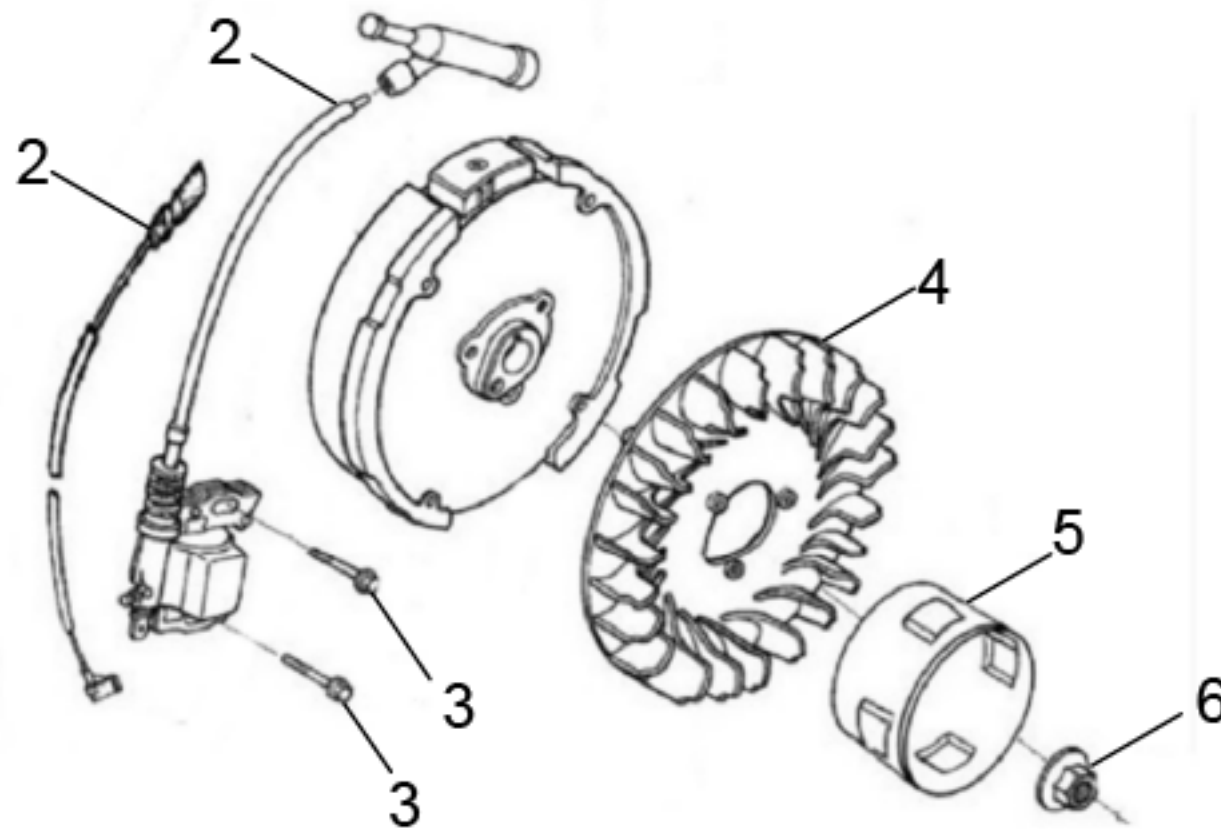




## 80 Carburetor

---

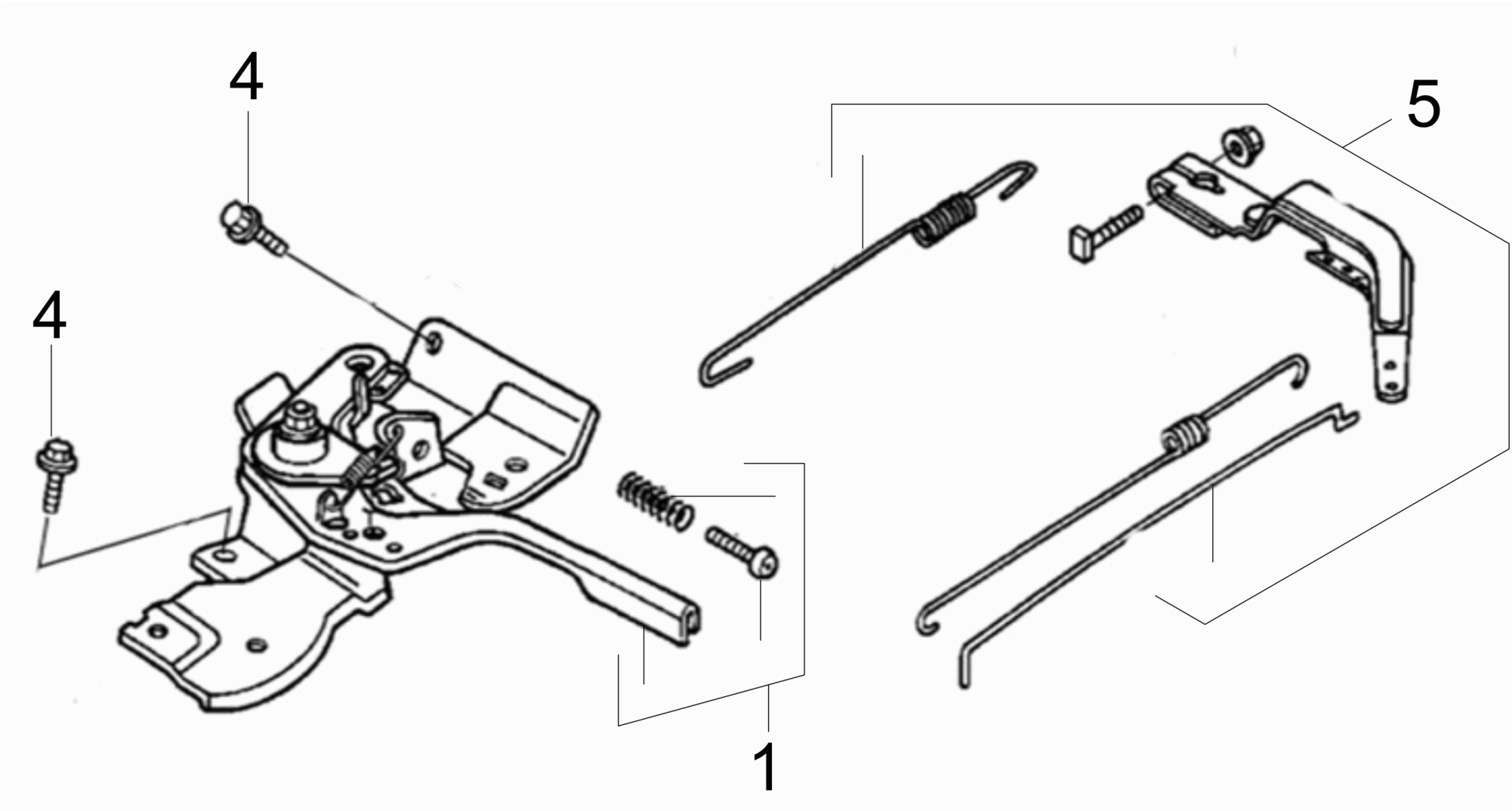
<b>POS</b>	<b>Article no.</b>	<b>Description</b>	<b>Quantity</b>	<b>Unit</b>
5	9.768-514.0	Carburetor	1	PC
7	6.491-040.0	Set seal	1	PC



## 90 Blower wheel

---

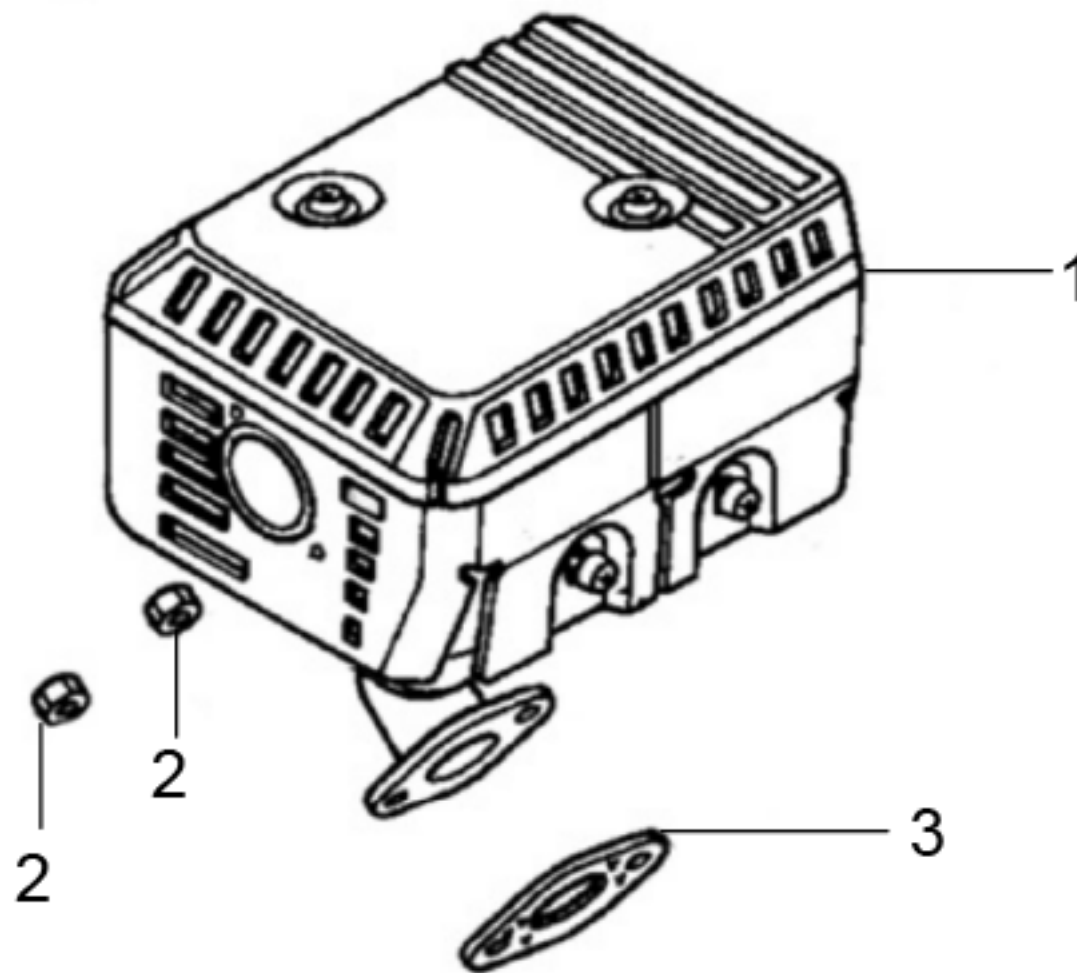
<b>POS</b>	<b>Article no.</b>	<b>Description</b>	<b>Quantity</b>	<b>Unit</b>
2	6.491-050.0	Ignition coil complete	1	PC
3	6.491-057.0	Screw M6x25 Q16 GB/T 16674	1	PC
4	9.768-515.0	Impeller	1	PC
5	9.768-516.0	Starting device	1	PC
6	6.491-061.0	Nut M14x1,5 Q16	1	PC



## 100 Motor control system

---

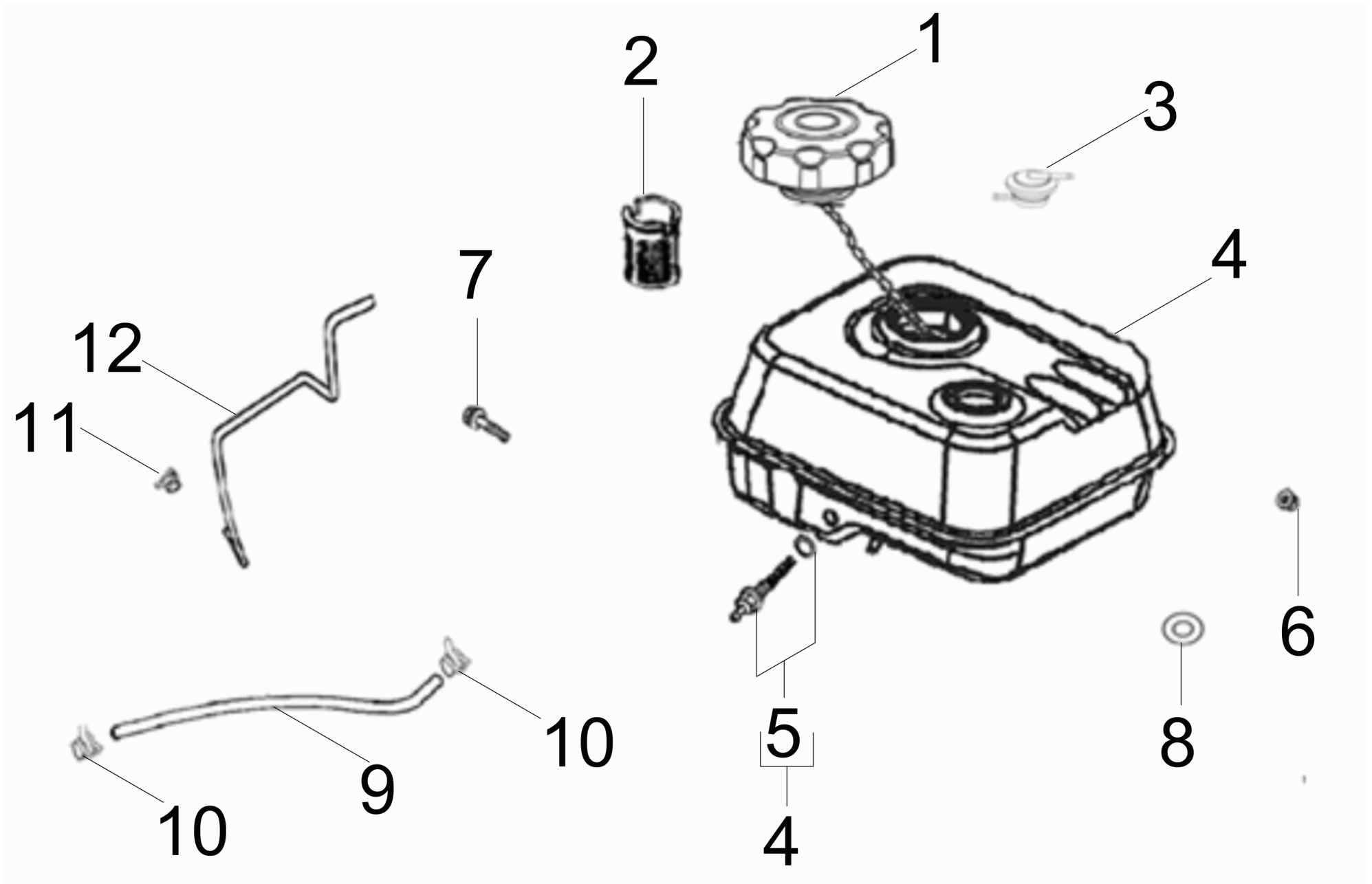
<b>POS</b>	<b>Article no.</b>	<b>Description</b>	<b>Quantity</b>	<b>Unit</b>
1	6.491-038.0	Control device complete	1	PC
4	6.491-054.0	Screw M6x10 Q16 GB/T 16674	2	PC
5	6.491-039.0	Set control device	1	PC



## 120 Silencer

---

<b>POS</b>	<b>Article no.</b>	<b>Description</b>	<b>Quantity</b>	<b>Unit</b>
1	9.768-518.0	Silencer	1	PC
2	7.311-004.0	Hexagon nut M8 -8-A3E ISO 4032	1	PC
3	6.491-284.0	Seal	1	PC

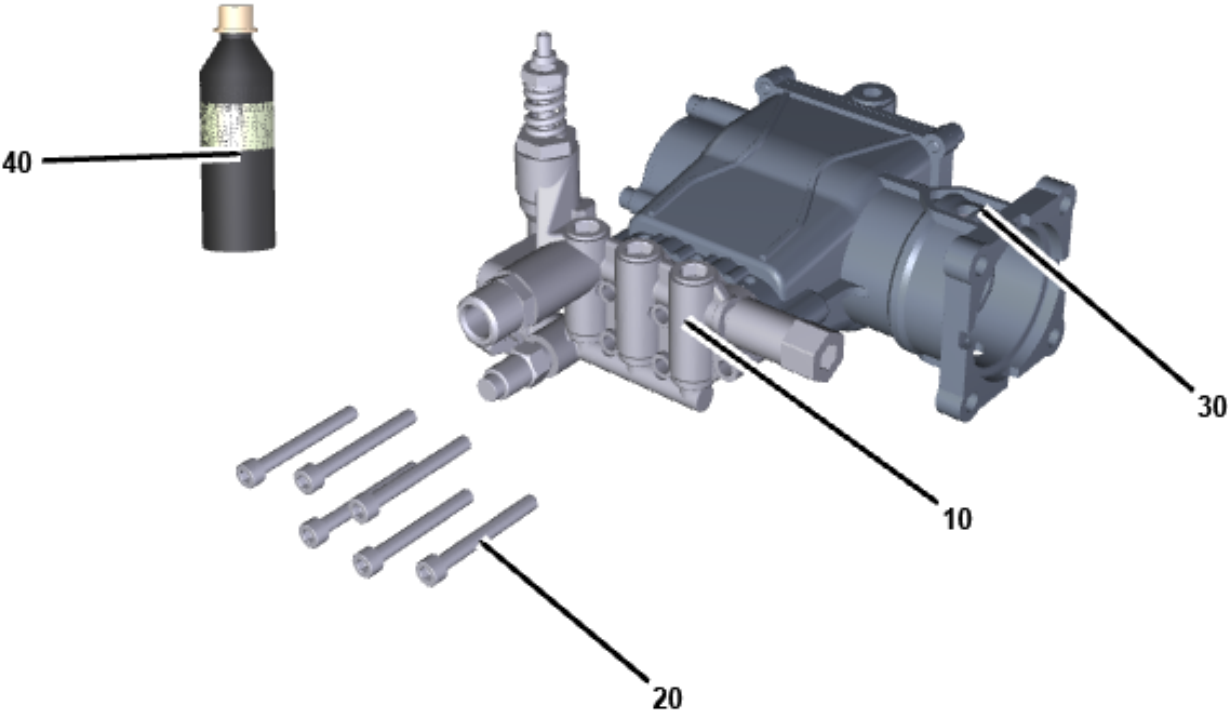




## 130 Fuel tank

---

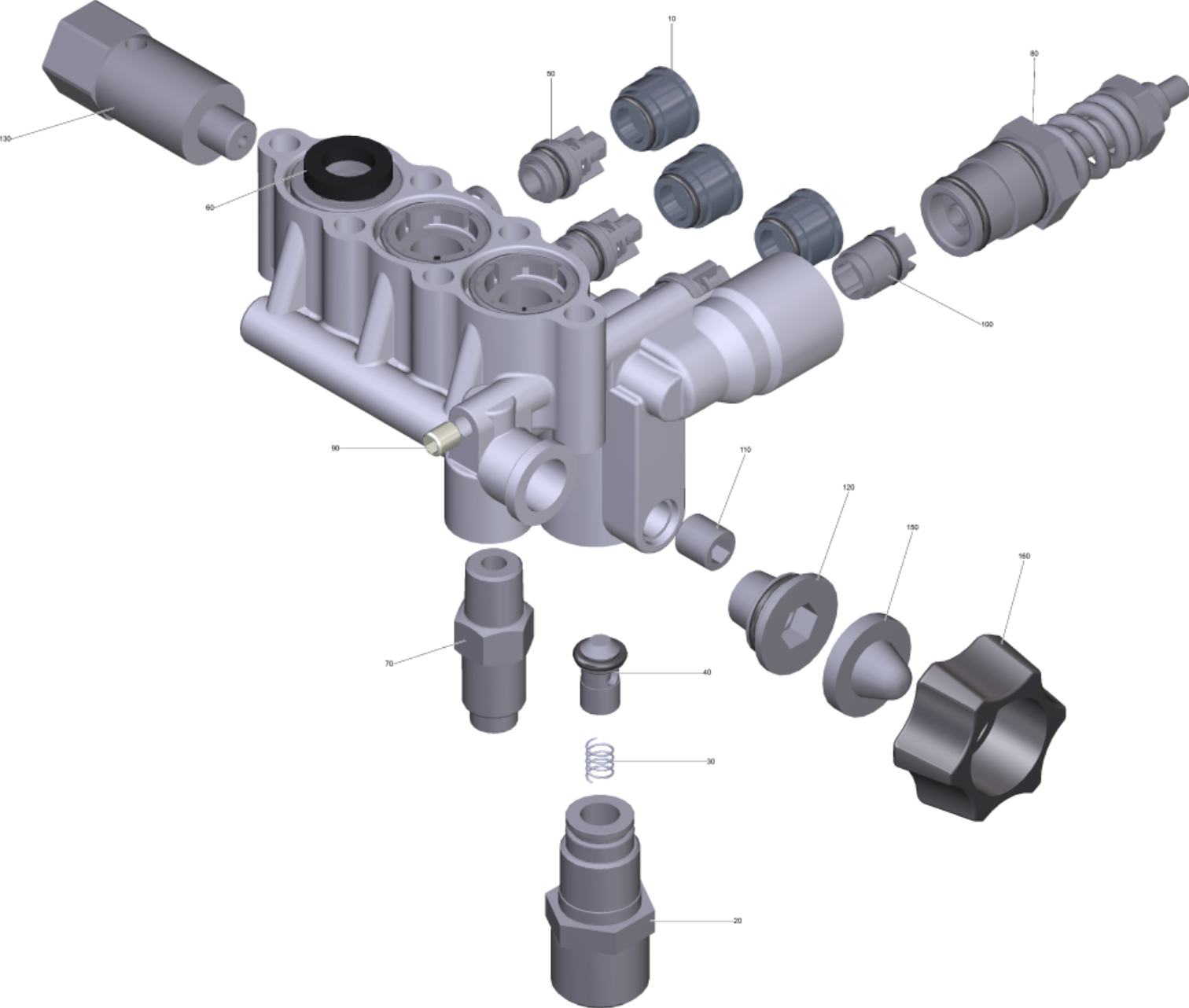
<b>POS</b>	<b>Article no.</b>	<b>Description</b>	<b>Quantity</b>	<b>Unit</b>
1	6.491-037.0	Cap of a tank complete	1	PC
2	6.491-036.0	Filter fuel	1	PC
3	6.491-041.0	Valve fuel	1	PC
4	6.491-034.0	Fuel tank complete	1	PC
5	6.491-035.0	Mounting material tank	1	PC
6	6.491-363.0	Nut flange M8	2	PC
7	6.491-355.0	Screw M8x25	2	PC
8	6.491-064.0	Washer rubber	2	PC
9	6.491-063.0	Fuel line	1	PC
10	6.956-069.0	Hose clip DW-5.5	1	PC
11	6.391-493.0	Hose clip	2	PC
12	6.491-313.0	Pipeline	1	PC



130 Pump set station 3000 psi (9.751-416.0)

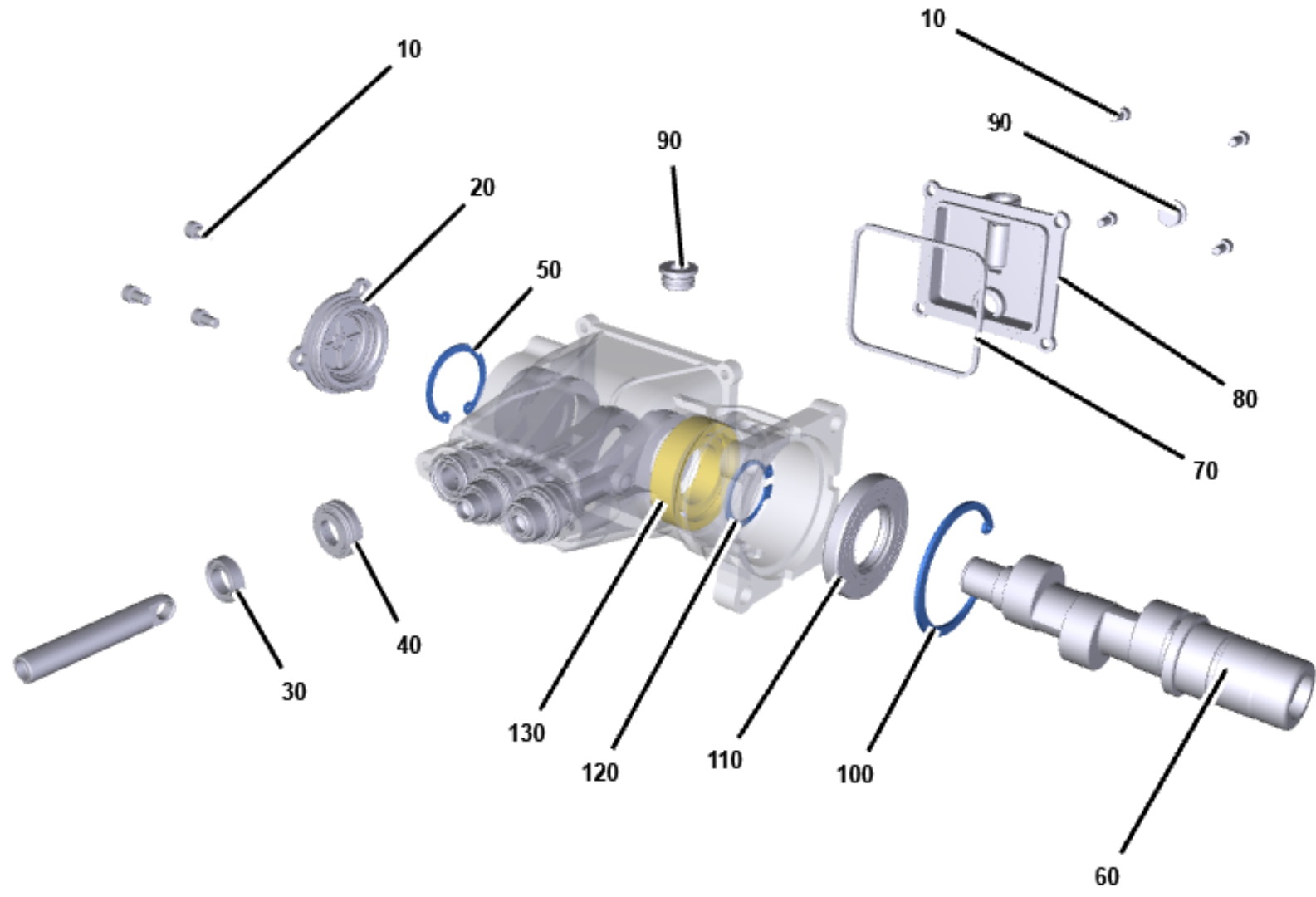
---

<b>POS</b>	<b>Article no.</b>	<b>Description</b>	<b>Quantity</b>	<b>Unit</b>
10	9.751-575.0	Cylinder head for replacement W36-3000	1	PC
20	9.768-483.0	Screw M6*50	6	PC
30	9.751-442.0	Pump set for replacement	1	PC
40	6.288-050.0	Engine oil 1L	1	PC



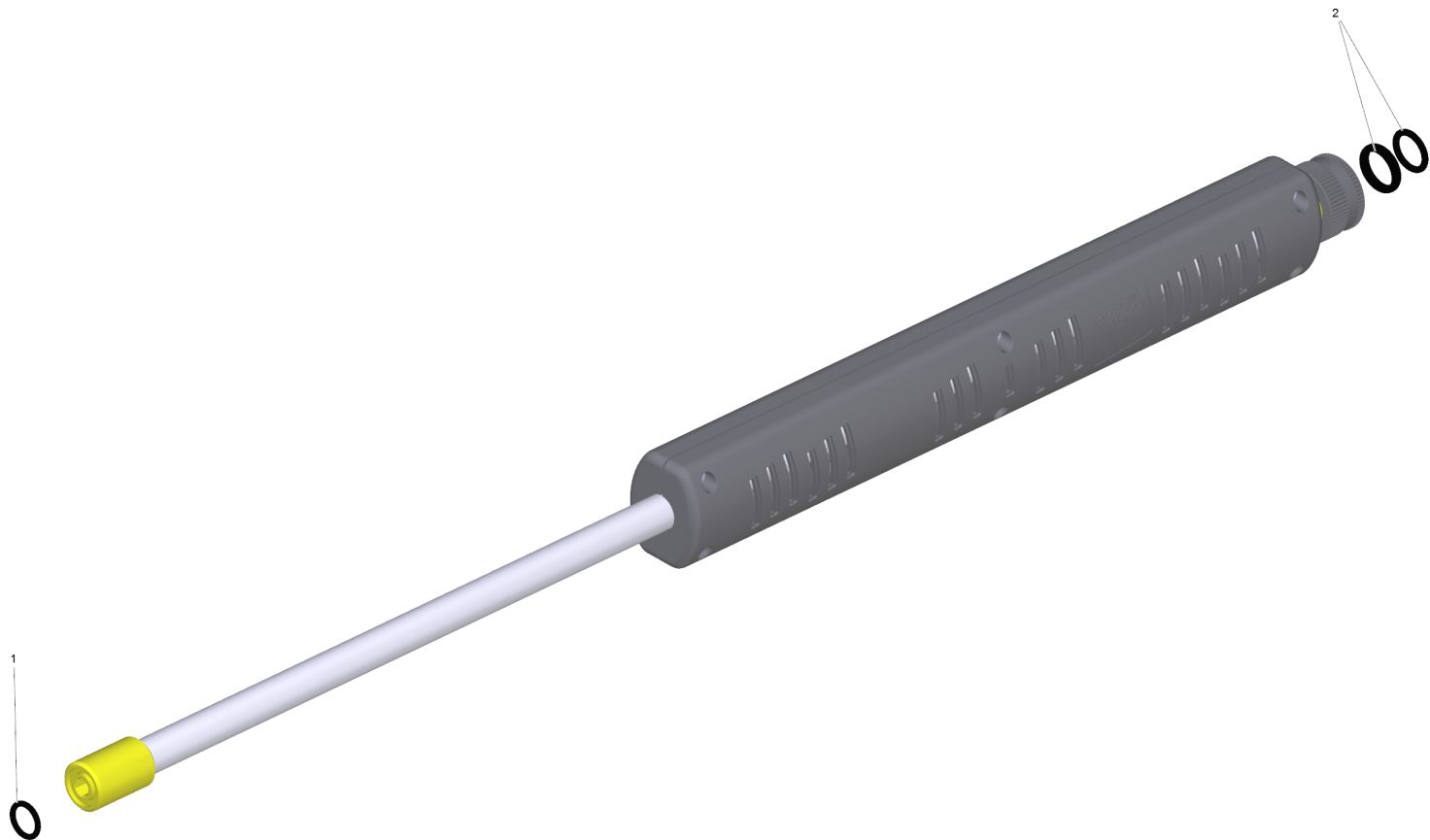
10 Cylinder head for replacement W36-3000 (9.751-575.0)

POS	Article no.	Description	Quantity	Unit
10	9.751-440.0	Valve screw plug	3	PC
20	9.768-478.0	Screw plug high-pressure outlet complete	1	PC
30	9.768-479.0	Check valve spring	1	PC
40	9.751-477.0	Check valve housing	1	PC
50	9.751-437.0	Valve complete	3	PC
60	9.751-435.0	Piston seal complete	3	PC
70	9.768-477.0	Therموالve for replacement	1	PC
80	9.751-436.0	Pressure valve cpl. for replacement 2500PSI 6/15	1	PC
90	9.768-476.0	Screw ZM6	1	PC
100	9.751-439.0	Valve seat complete for replacement	1	PC
110	9.768-475.0	Screw plug	1	PC
120	9.768-482.0	Connector inlet W36	1	PC
130	9.768-403.0	Safety valve station W36	1	PC
150	9.768-480.0	Filter inlet	1	PC
160	9.768-481.0	Nut inlet G3/4	1	PC



30 Pump set for replacement (9.751-442.0)

POS	Article no.	Description	Quantity	Unit
10	9.768-485.0	Screw M6*12	7	PC
20	9.751-438.0	Fuel level complete	1	PC
30	9.768-484.0	Ring plastic	3	PC
40	9.768-486.0	Oil seal 12*20*6	3	PC
50	9.768-487.0	Locking ring 17	1	PC
60	9.768-488.0	Roller bearing	1	PC
70	9.768-490.0	Sealing ring 79*92*2.9	1	PC
80	9.768-491.0	Cover back	1	PC
90	9.751-446.0	Drain plug complete	2	PC
100	9.768-492.0	Locking ring $\phi$ 58	1	PC
110	9.768-493.0	Joint ring 29.5*58*8	1	PC
120	9.768-494.0	Locking ring 30	1	PC
130	9.768-495.0	Bearing 6006	1	PC

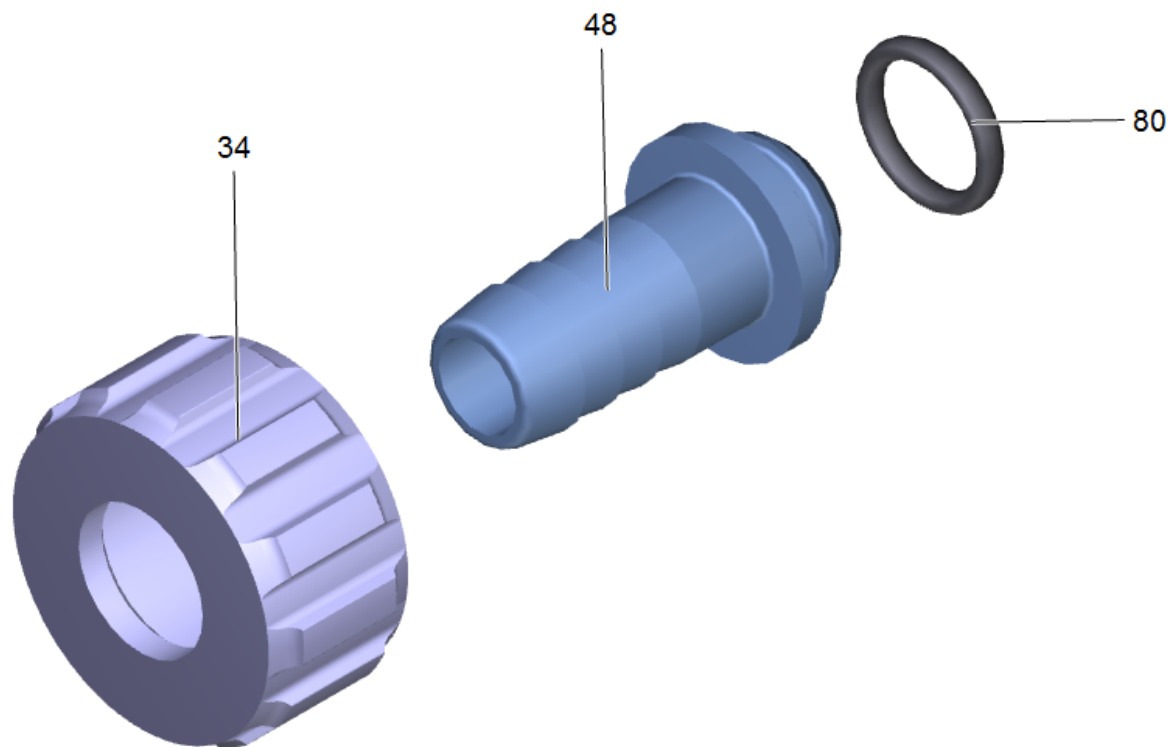




210 Jet pipe for replacement 600mm (9.751-140.0)

---

<b>POS</b>	<b>Article no.</b>	<b>Description</b>	<b>Quantity</b>	<b>Unit</b>
1	9.761-505.0	O-Ring seal for jet pipe 10x2 NBR	1	PC
2	9.751-141.0	Spare part set jet pipe	1	SET



280 Screw connector part (4.401-056.0)

---

<b>POS</b>	<b>Article no.</b>	<b>Description</b>	<b>Quantity</b>	<b>Unit</b>
34	5.310-065.0	Nut	1	PC
48	5.443-229.0	Hose stem	1	PC
80	6.362-078.0	O-Ring seal 13,3x2,4	1	PC