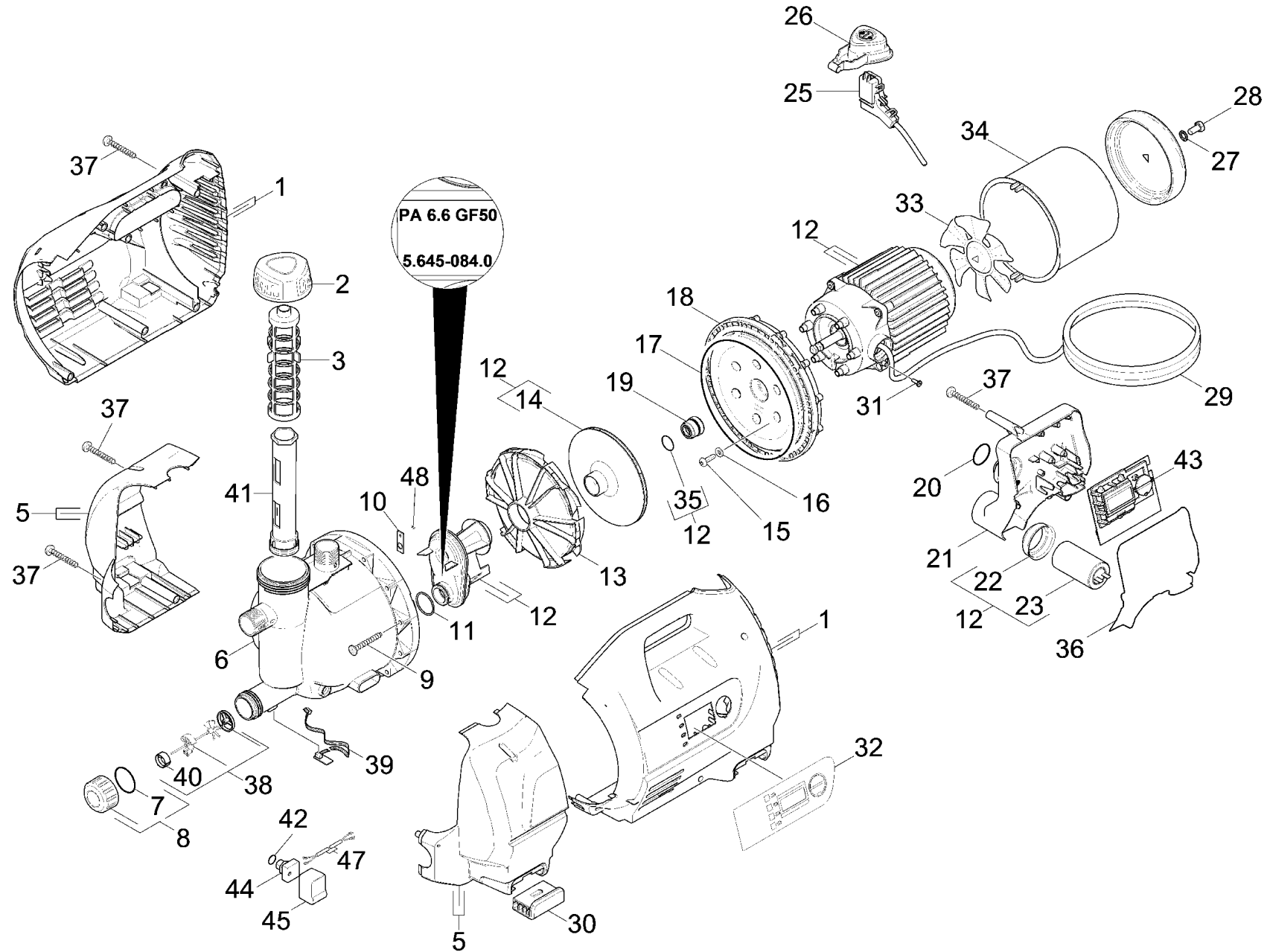


11 Individual parts

Home and Garden \ Pumps \ BPE 4000/45 AUTO CONTROL *EU-I \ Spare parts list BPE \ Individual parts \ Individual parts



11 Individual parts

Home and Garden \ Pumps \ BPE 4000/45 AUTO CONTROL *EU-I \ Spare parts list BPE \ Individual parts \ Individual parts



POS	Article no.	Description	Quantity	Unit	Remark	Foot note text
1	4.645-135.0	Housing replacement /housing cpl.	1	PC	/BPE 4000/45	
1	4.645-141.0	Housing replacement /housing cpl.	1	PC	/BPE 4200/50 / BPE 5000/55	
2	4.645-110.0	Cover filter complete / filter cap cpl.	1	PC		
3	4.645-126.0	Filter replacement /filter	1	PC		
5	4.645-136.0	Housing front replacement /housing fron	1	PC		
6	5.645-144.0	Pump head /pumphead (p-hole open left)	1	PC		
7	6.362-722.0	O-Ring seal 28,0 X 3,0	1	PC		
8	4.645-111.0	Cover dehydration complete /drainage plu	1	PC		
9	7.303-209.0	Screw 6x50 -10.9-R2R (K-In6Rd)	12	PC		
10	6.645-346.0	Rubber ventilation	1	PC		
11	6.363-225.0	O-Ring seal 30x2	1	PC		
12	2.882-663.0	Conversion kit Motor and Injector	1	PC	BPE 4200/50	
12	2.882-664.0	Conversion kit Motor and Injector	1	PC	BPE 5000/55	
12	2.882-667.0	Conversion kit Motor and Injector	1	PC	BPE 4000/45	
13	5.645-598.0	Guide wheel GP/BPE	1	PC		
14	4.645-027.0	Impeller complete (good)	1	PC	BPE 4000/45	
14	4.645-028.0	Impeller complete (better)	1	PC	BPE 4200/50	
14	4.645-029.0	Impeller complete /impeller cpl. (best)	1	PC	BPE 5000/55	
15	7.303-048.0	Screw M6x20 -St-R3R (In6Rd)	6	PC		
16	6.363-404.0	Flat gasket / flat gasket	6	PC		
17	6.645-078.0	O-Ring seal 160x5	1	PC		
18	5.645-080.0	Flange for pump /pump flange	1	PC		
19	6.645-108.0	Floating ring seal /rot. mechanical seal	1	PC		
20	6.363-403.0	O-Ring seal 26x3	1	PC		
21	5.645-108.0	Electric box / e-box D40	1	PC		
22	9.080-420.0	Capacitor sealing ring d.40, 55 Shore	1	PC	BPE 4000/45 - BPE 4200/50	
22	9.080-465.0	Joint ring capacitor d.45, 70 Shore	1	PC	BPE 5000/55	
23	6.645-380.0	Capacitor 18µF S3	1	PC		
25	4.645-128.0	Switch replacement /switch cpl.	1	PC		
26	5.645-112.0	Switch faceplate /button on/off	1	PC		
27	7.312-233.0	Serrated lock washer A8,4-FSt-A3E DIN67	1	PC		

11 Individual parts

Home and Garden \ Pumps \ BPE 4000/45 AUTO CONTROL *EU-I \ Spare parts list BPE \ Individual parts \ Individual parts

POS	Article no.	Description	Quantity	Unit	Remark	Foot note text
28	7.304-395.0	Hexagonal head screw M8x16-8.8-A2E ISO	1	PC		
29	4.645-127.0	Cable replacement *EU /supply cord	1	PC	*EU	
29	4.645-144.0	Cable replacement *CH /supply cord	1	PC	*CH	
29	4.645-145.0	Cable replacement *GB /supply cord	1	PC	*GB	
30	5.645-122.0	Pedestal /rubber foot	4	PC		
31	7.303-032.0	Screw M4x12 -St-R2R (In6Rd)	1	PC		
32	4.645-147.0	Foil replacement /lamination BETTER	1	PC	BPE 4200/50	
32	4.645-148.0	Foil replacement /lamination BEST	1	PC	BPE 5000/55	
32	6.645-088.0	Foil /lamination BPE 4000/45	1	PC	BPE 4000/45	
33	9.039-188.0	Blower wheel	1	PC		
34	6.964-090.0	Housing blower	1	PC		
35	6.362-169.0	O-Ring seal 12,0 X 2,0	1	PC		
36	6.273-037.0	Seal string cellular rubber 3	1	m		TO ORDER AS CUT GOODS
37	9.086-221.0	Screw ATF 4.1x22	13	PC		
38	4.645-213.0	Flowmetre replacement /flow rate measure	1	PC		WHITE
39	4.645-139.0	Circuit board with sensor /PCB with sen	1	PC		
40	5.645-187.0	Plain bearing	1	PC		
41	9.001-719.0	Check valve	1	PC		
42	6.363-407.0	O-Ring seal 10,82x1,78	1	PC		
43	4.645-201.0	Circuit board /PCB cpl. good -Ersatz	1	PC	BPE 4000/45	
43	4.645-227.0	Circuit board /PCB cpl. better -Ersatz	1	PC	BPE 4200/50	
43	4.645-228.0	Circuit board /PCB cpl. best -Ersatz	1	PC	BPE 5000/55	
44	6.645-095.0	Pressure sensor /pressure sensor	1	PC	BPE 5000/55	
44	6.645-096.0	Pressure switch /pressure switch	1	PC	BPE 4000/45 - BPE 4200/50	
45	5.645-180.0	Cap / cap for water protection	1	PC	/BPE 5000/55	
47	6.645-138.0	Cable / cabel for pressure switch	1	PC	BPE 4000/45 - BPE 4200/50	
47	6.645-139.0	Cable / cable for pressure sensor	1	PC	BPE 5000/55	
48	6.343-139.0	Lock washer	1	PC		