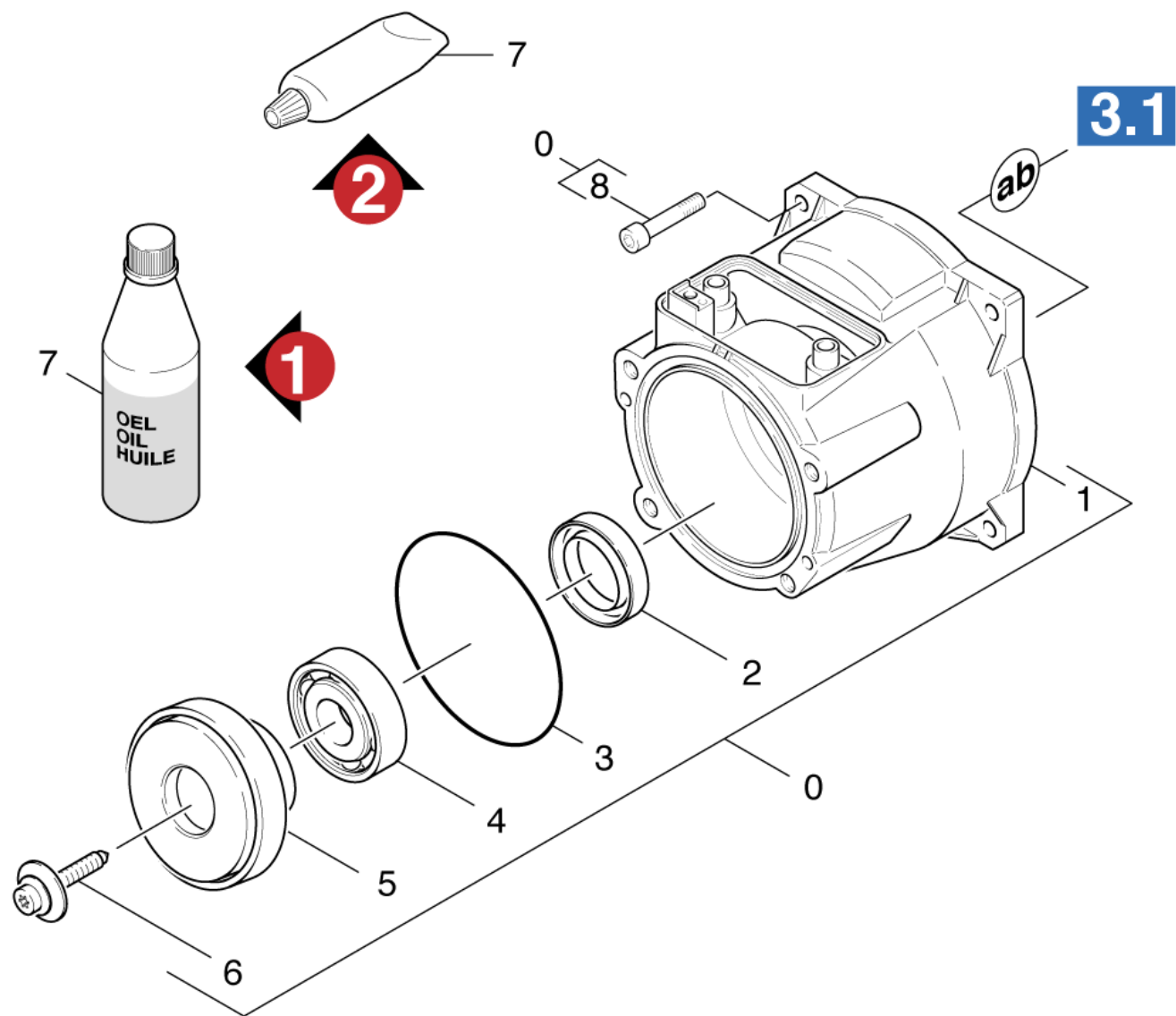


32 Transmission

Overview technical documents/Home & Garden/High pressure cleaner cold water/Electric motor/K 6/K 6.70MS-PL-WB *EUR (1.138-201.0)/Spare parts list K 670M/30 Motor/32 Transmission



32 Transmission

Overview technical documents/Home & Garden/High pressure cleaner cold water/Electric motor/K 6/K 6.70MS-PL-WB *EUR (1.138-201.0)/Spare parts list K 670M/30 Motor/32 Transmission

ET/VT (spare/wear parts)	Pos	Material #	Name	Qty.	Unit	from ser.nr.	up to ser.nr.	var. information	Footnote text
	0	4.623-482.0	Motor complete 2,5kW *EU	1.000	ST	0000000000	0000000000		ONLY FOR RATING PLATE WITH 2,5
	0	4.623-466.0	Motor complete only for replacement	1.000	ST	0000000000	0000000000	VERSION 2	ONLY FOR RATING PLATE WITH 2,2
	1	5.093-226.0	Bearing plate A	1.000	ST	0000000000	0000000000		
	2	6.367-051.0	Rotary shaft seal -20X37X8 NBR	1.000	ST	0000000000	0000000000		
	3	6.362-471.0	O-Ring seal 80,0 X 3,0 -NBR 70	1.000	ST	0000000000	0000000000		
	4	7.401-155.0	Ball bearing 6304-WAELZLAGERST DIN 625	1.000	ST	0000000000	0000000000		
	5	6.401-349.0	Wobble plate	1.000	ST	0000000000	0000000000		ONLY FOR RATING PLATE WITH 2,5
	5	6.401-300.0	Wobble plate	1.000	ST	0000000000	0000000000		ONLY FOR RATING PLATE WITH 2,2
	6	6.304-048.0	Cylinder head screw M6x19	1.000	ST	0000000000	0000000000		
X-X	7	6.288-050.0	Engine oil 1L	1.000	ST	0000000000	0000000000	VERSION 1	MOTOR 1,1L
	7	6.964-092.0	Viscous oil 50ml	1.000	ST	0000000000	0000000000	VERSION 2	
	8	6.303-320.0	Screw M 5x 20-St-R2R	4.000	ST	0000000000	0000000000		