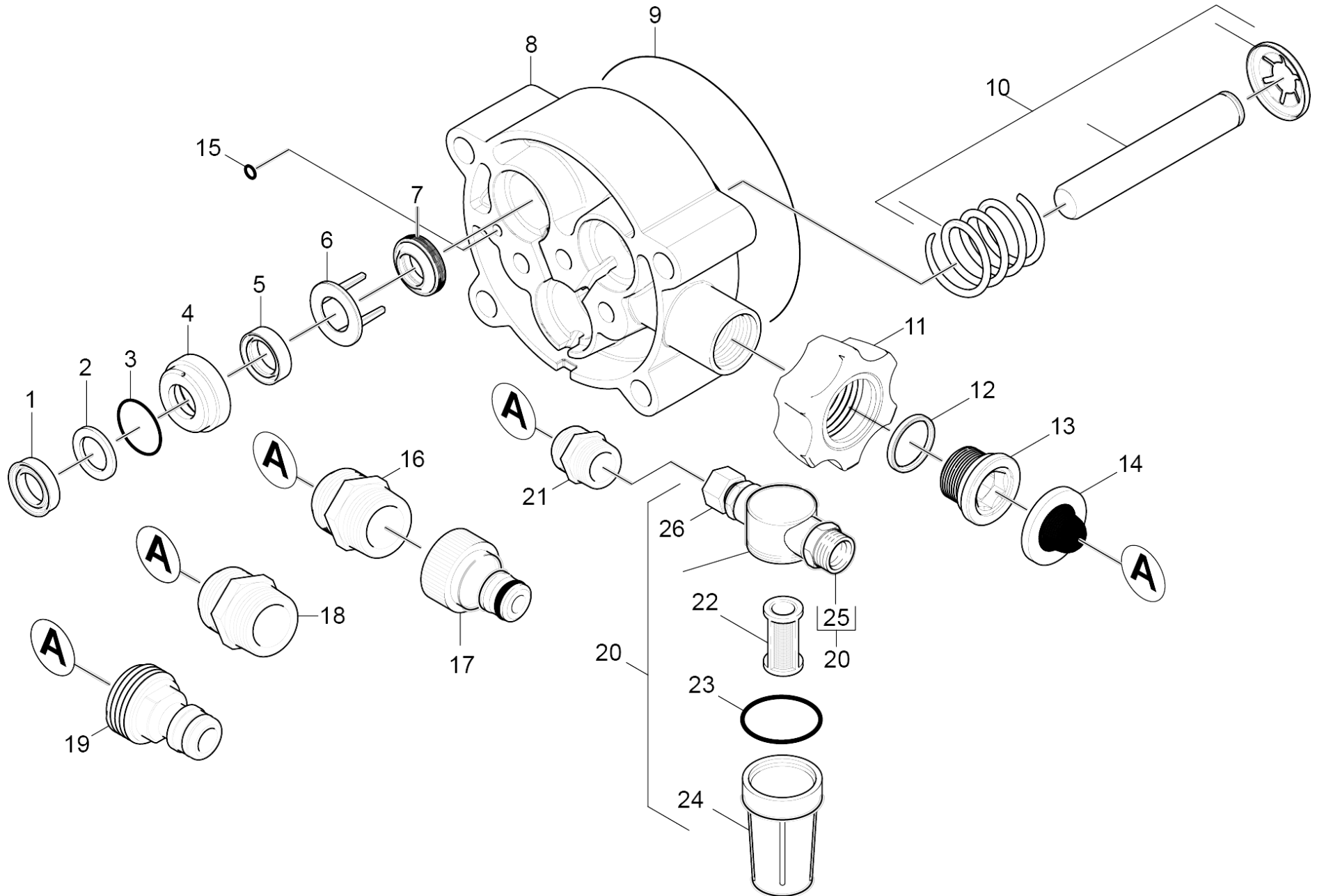


24 Piston

Home and Garden \ High pressure cleaner cold water \ Combustion engine \ G 7.10 M *EU \ Spare parts list G 7/10, HD 5/14 B \ Pump set \ Piston



24 Piston

Home and Garden \ High pressure cleaner cold water \ Combustion engine \ G 7.10 M *EU \ Spare parts list G 7/10, HD 5/14 B \ Pump set \ Piston



| POS | Article no. | Description | Quantity | Unit |
|-----|--------------------------------|-------------------------------------|----------|------|
| 18 | 8.751-336.0 | Adapter 3/4" -11.5 NH X G 3/4" A | 1.000 | ST |
| | Item text1: 1.194-702.0 | | | |
| 21 | 8.751-336.0 | Adapter 3/4" -11.5 NH X G 3/4" A | 1.000 | ST |
| 20 | 2.637-691.0 | Add-on kit water filter | 1.000 | ST |
| 2 | 9.177-310.0 | BACK RING-HIGH PRESSURE SEAL- | 3.000 | ST |
| 17 | 6.465-031.0 | Connection 3/4 | 1.000 | ST |
| 16 | 5.443-479.0 | Double nipple | 1.000 | ST |
| 22 | 6.414-835.0 | Filter cartridge | 1.000 | ST |
| 24 | 6.414-834.0 | Filter cup only for replacement | 1.000 | ST |
| 14 | 9.181-005.0 | FILTER SEAL-HOSE CONNECTOR- | 1.000 | ST |
| 5 | 6.363-058.0 | Grooved ring 12x18x5 (90Shore) | 3.000 | ST |
| 1 | 9.177-301.0 | HIGH PRESSURE SEAL | 3.000 | ST |
| 4 | 9.155-011.0 | HOUSING-LOW PRESSURE SEAL | 3.000 | ST |
| 23 | 6.414-836.0 | Joint ring | 1.000 | ST |
| 13 | 9.134-019.0 | MALE ADAPTER | 1.000 | ST |
| 11 | 9.154-044.0 | Nut, Garden hose connector | 1.000 | ST |
| 15 | 6.363-626.0 | O-Ring seal 4,47x1,78 -NBR90 | 1.000 | ST |
| 12 | 6.362-390.0 | O-Ring seal 15,6 X 1,78 | 1.000 | ST |
| 3 | 6.362-833.0 | O-Ring seal 21,5 x 1,78 | 3.000 | ST |
| 9 | 6.362-471.0 | O-Ring seal 80,0 X 3,0 -NBR 70 | 1.000 | ST |
| 7 | 6.365-393.0 | Oil sealing 12x20x4/6 | 3.000 | ST |
| 8 | 9.133-007.0 | Piston Guide-Machined | 1.000 | ST |
| 25 | 5.402-410.0 | Screw union | 1.000 | ST |
| 6 | 9.134-016.0 | SPACER-OIL SEAL & SEAL HSG. | 3.000 | ST |
| 10 | 9.139-370.0 | SPARE PART LIST PISTON 020/021 PUMP | 3.000 | ST |
| 26 | 7.777-999.0 | Stockpiling discontinued | 1.000 | ST |
| 19 | 6.645-538.0 | Tap adaptor complete US w/m thread | 1.000 | ST |
| | Item text1: 1.194-702.0 | | | |