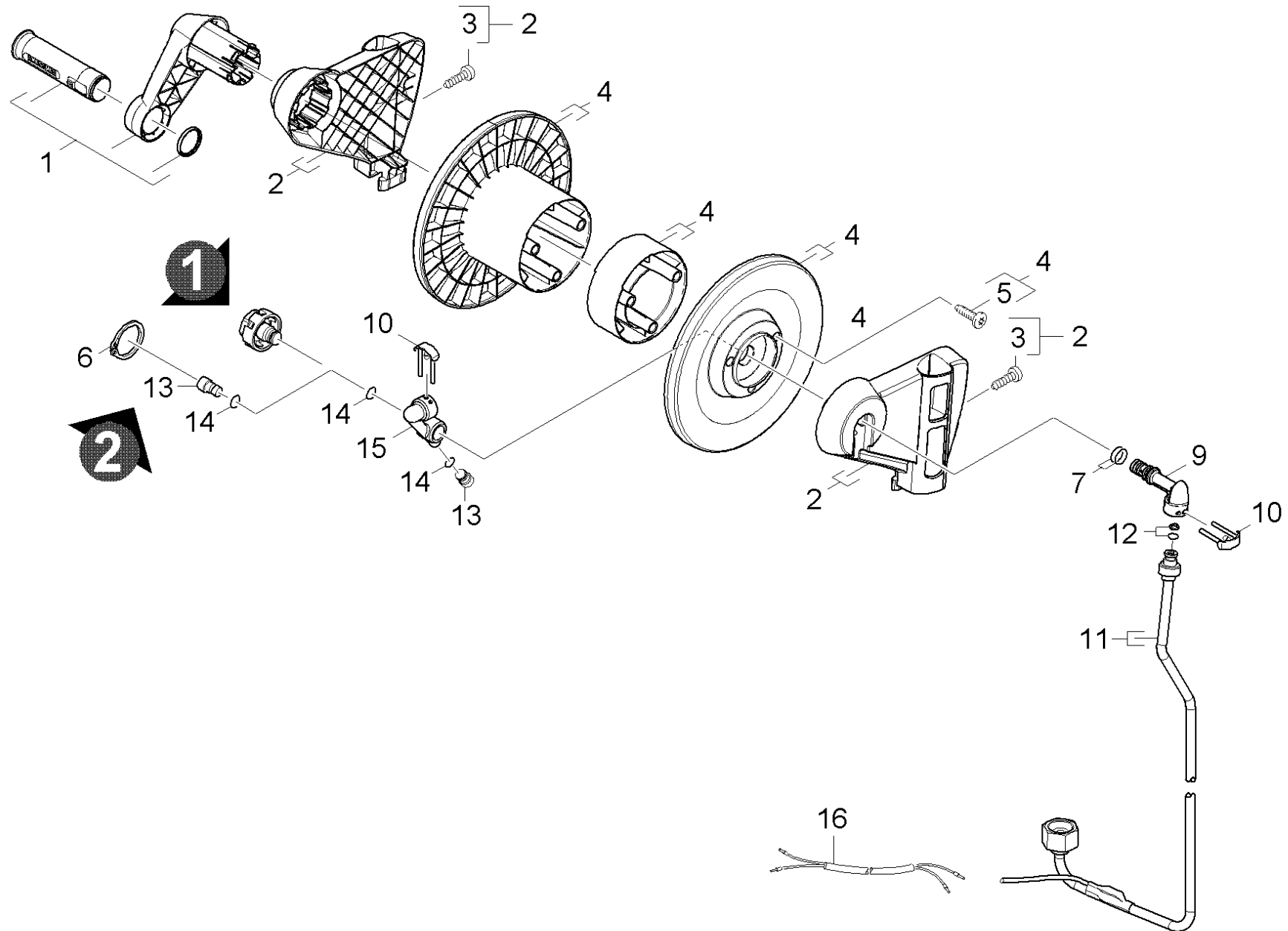


Spare parts list

Hose reel

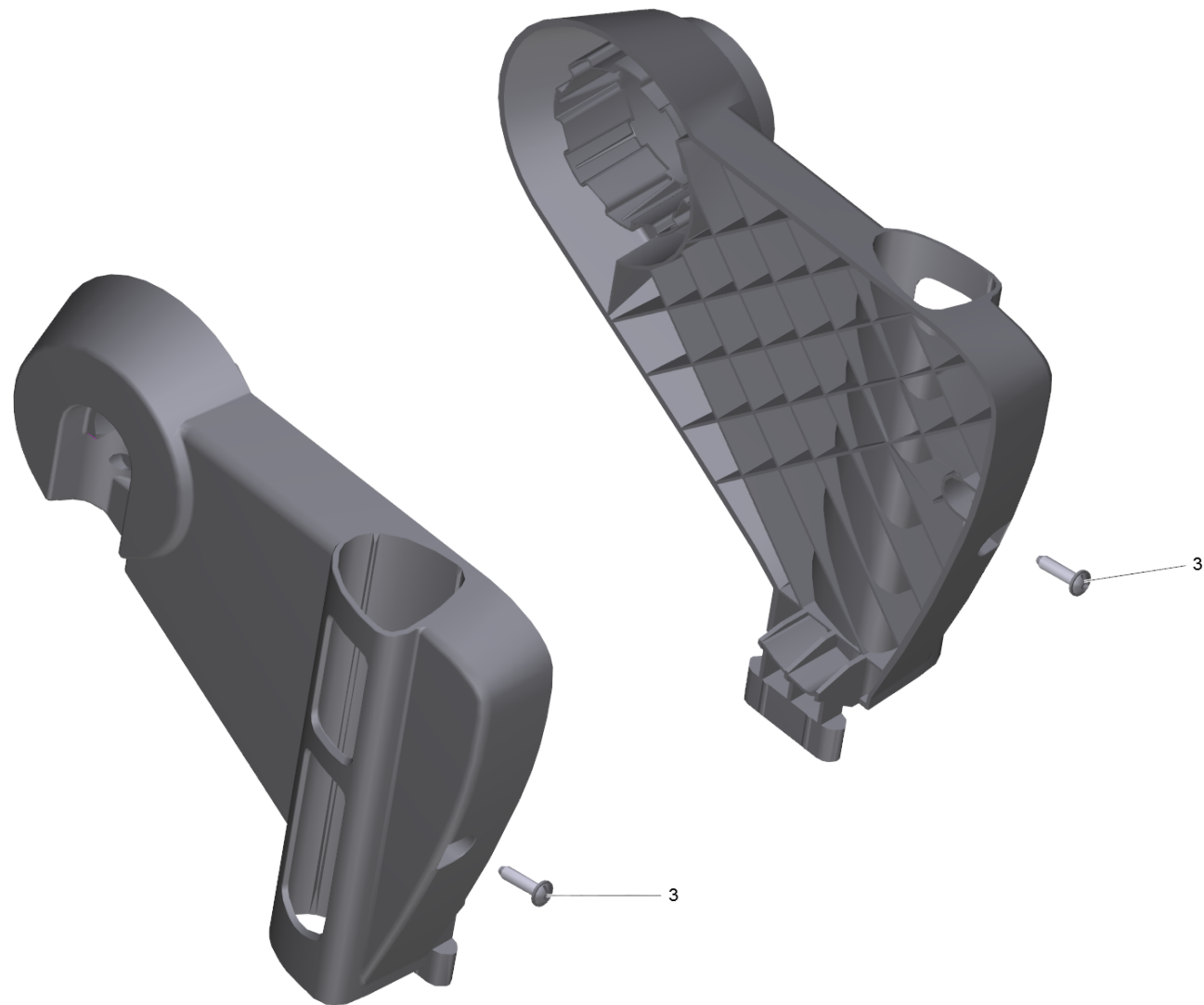
Table of contents

12 Hose reel	3
2 Spare part set (2.884-857.0)	5
4 Spare part set (2.884-858.0)	7



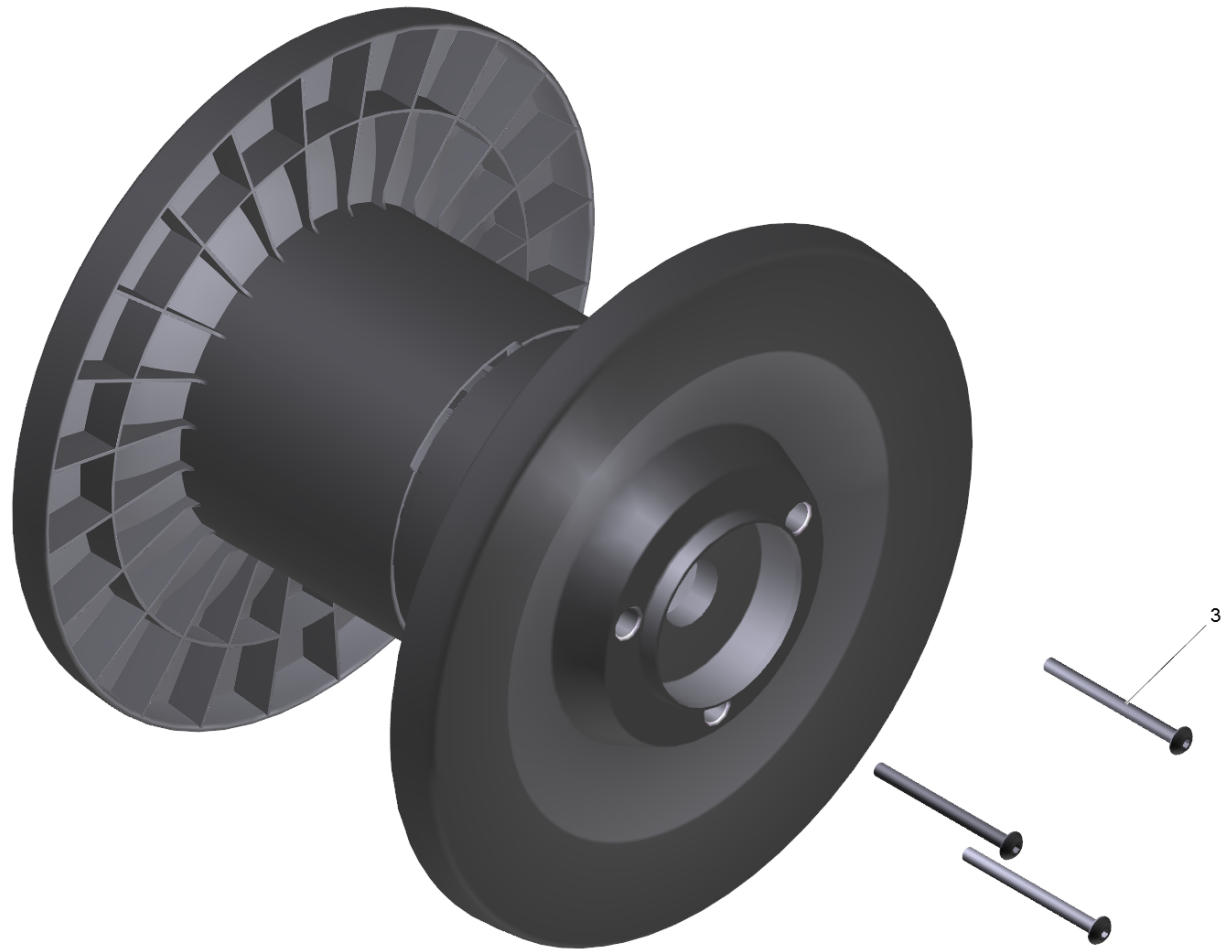
12 Hose reel

POS	Article no.	Description	Quantity	Unit
1	4.481-213.0	Crank complete	1.000	ST
2	2.884-857.0	Spare part set	1.000	ST
3	7.303-048.0	Screw M6x20 -St-R3R (In6Rd)	2.000	ST
4	2.884-858.0	Spare part set	1.000	ST
5	6.303-329.0	Screw 5x60 - St. verz. bl.	3.000	ST
6	7.343-018.0	Locking ring 18x1,2-Rf-St DIN 471	1.000	ST
7	4.363-693.0	O-Ring seal kpl. -nur fuer Ersatz-	2.000	ST
8	6.362-703.0	O-Ring seal 6,0x1,5-NBR 70	1.000	ST
9	5.427-328.0	Manifold	1.000	ST
10	4.037-013.0	Hook	2.000	ST
11	4.422-955.0	Pipelines complete HDS upright UX	1.000	ST
	Item text1: 1.064-022.0			
12	4.363-691.0	O-Ring seal kpl. -nur fuer Ersatz-	2.000	ST
13	5.411-161.0	CLOSING SCREW M10X1	2.000	ST
14	6.362-703.0	O-Ring seal 6,0x1,5-NBR 70	2.000	ST
15	5.427-326.0	Manifold	1.000	ST
16	6.686-469.0	Cable temperature limiter	1.000	ST



2 Spare part set (2.884-857.0)

POS	Article no.	Description	Quantity	Unit
3	7.303-048.0	Screw M6x20 -St-R3R (In6Rd)	2.000	ST



4 Spare part set (2.884-858.0)

POS	Article no.	Description	Quantity	Unit
3	6.303-329.0	Screw 5x60 - St. verz. bl.	3.000	ST