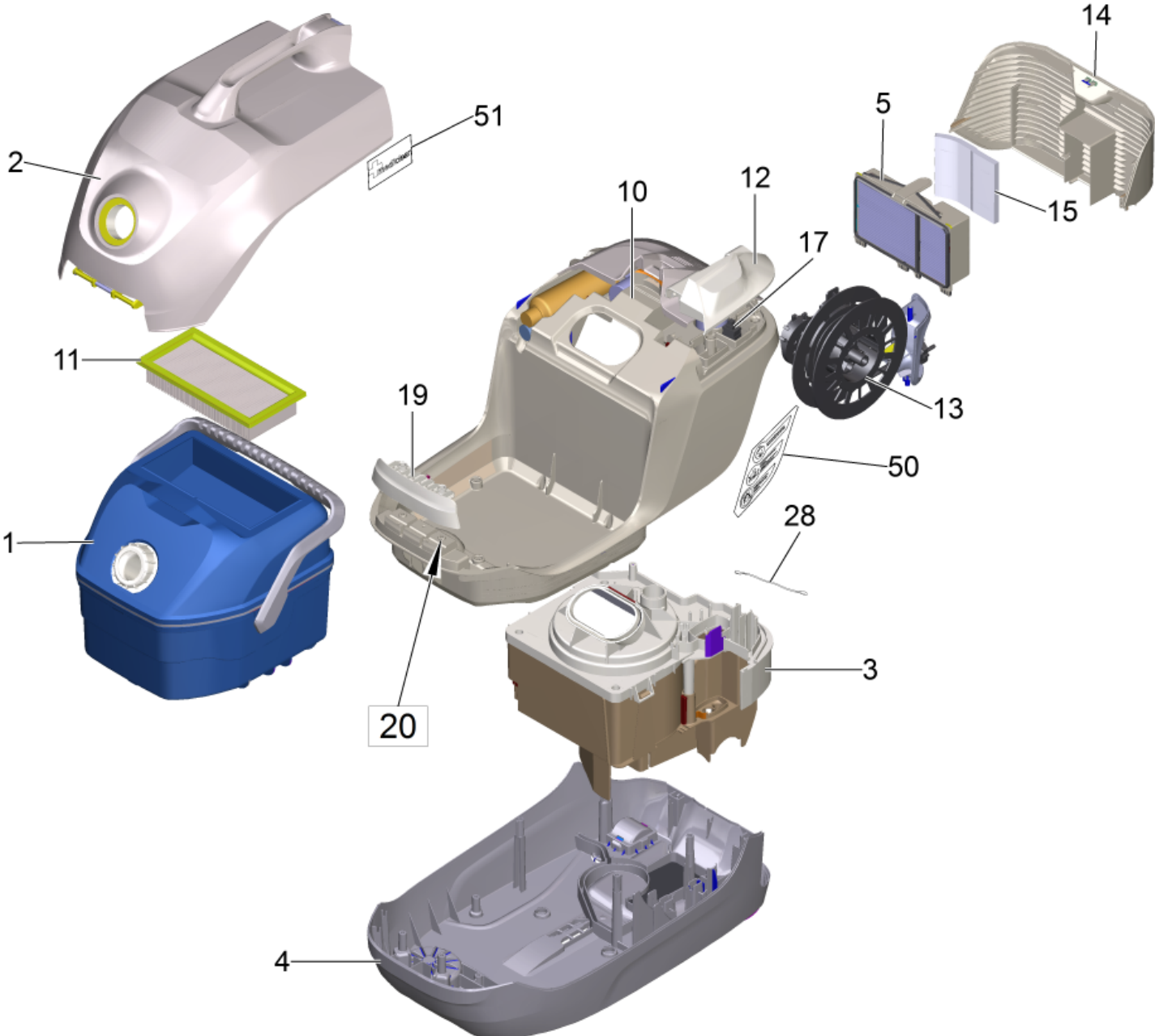


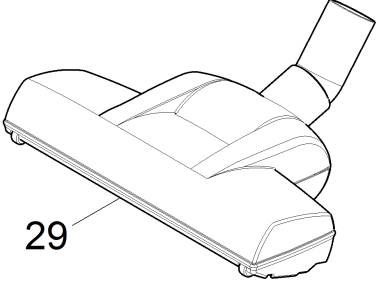
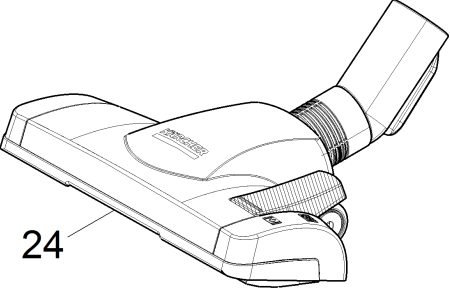
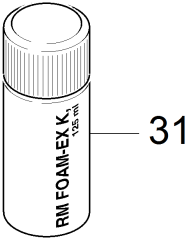
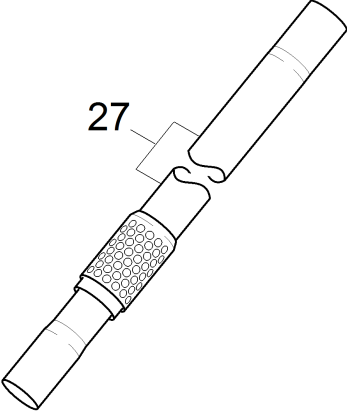
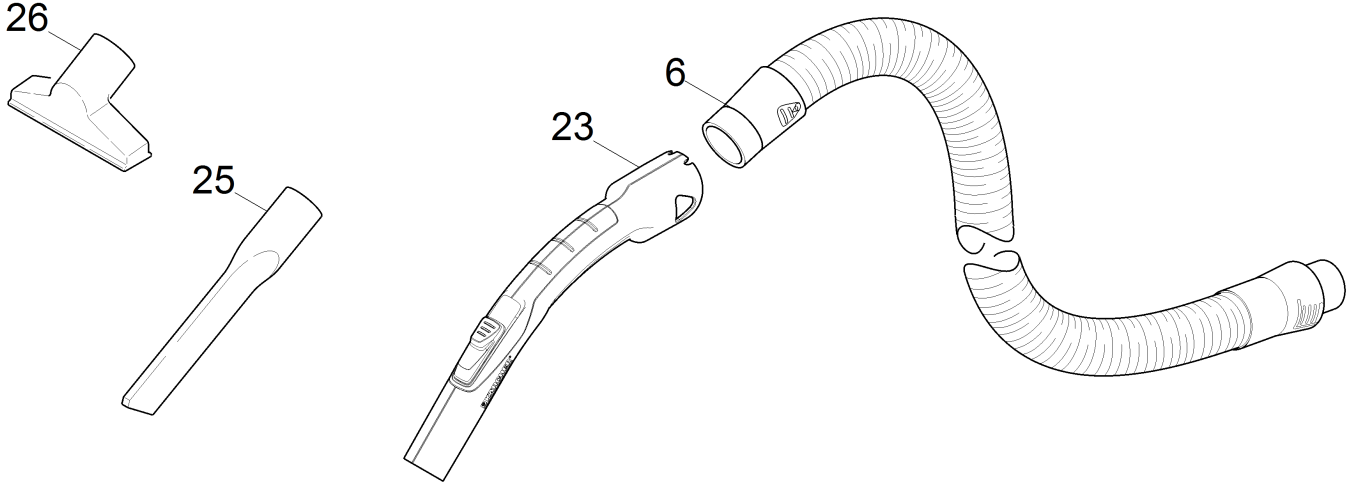
Spare parts list

(1.195-241.0) DS 6 Premium Mediclean (white)*RU

Table of contents

DS 6 Premium Mediclean (white)*RU (1.195-241.0)	3
1 Water filter blue replacement (4.195-072.0)	6
2 Front flap white complete	8
9000 Slider complete for replacement (4.195-224.0)	10
3 Motor unit	12
1 Air circulation complete for replacement (4.195-226.0)	14
4 Housing bottom part for replacement (4.195-227.0)	16
10 Upper housing set replacement DS 6.000 (4.195-255.0)	18





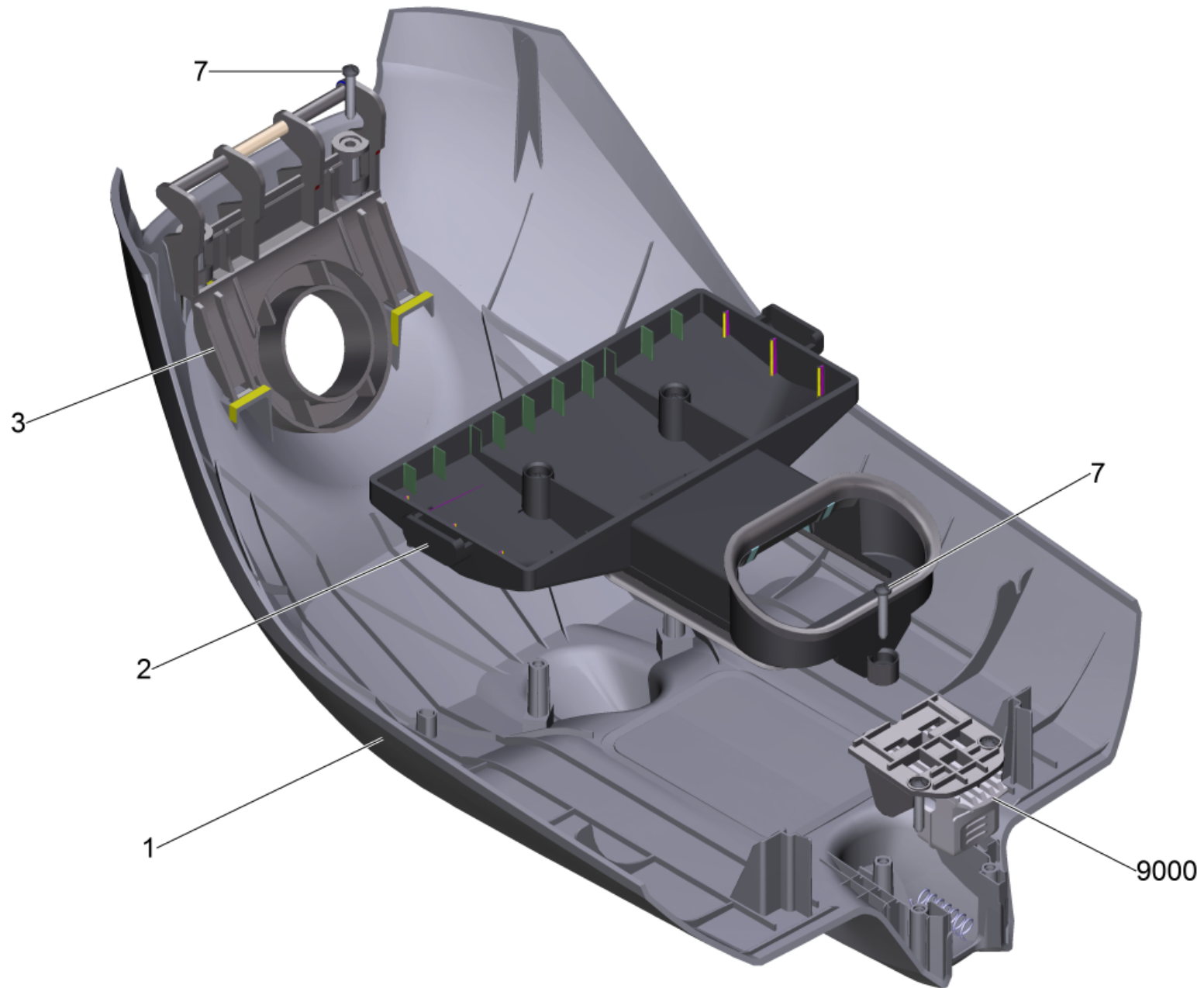
DS 6 Premium Mediclean (white)*RU (1.195-241.0)

POS	Article no.	Description	Quantity	Unit
14	4.195-236.0	Air exhaust louver for replacement DS 6.	1.000	ST
19	4.195-235.0	Bearing for replacement DS 6.000	1.000	ST
13	4.195-229.0	Cable automatic complete for replacement	1.000	ST
28	6.195-249.0	Cable DS 6.000	2.000	ST
25	5.195-196.0	Crevice nozzle	1.000	ST
5	2.860-273.0	Filter HEPA 13 DS	1.000	ST
11	6.414-631.0	Filter motor protecting	1.000	ST
24	4.195-304.0	Floor tool for replacement RD266	1.000	ST
31	6.295-873.0	FoamStop neutral 125ml	1.000	ST
2		Front flap white complete	1.000	ST
23	4.195-247.0	Hand grip complete replacement	1.000	ST
4	4.195-227.0	Housing bottom part for replacement	1.000	ST
15	6.195-241.0	Insulation mat exhaust air flap DS 6.000	1.000	ST
51	5.195-393.0	Label Mediclean	1.000	ST
50	5.195-392.0	Label side Mediclean	1.000	ST
17	6.630-650.0	Main switch	1.000	ST
3		Motor unit	1.000	ST
21	5.332-169.0	Pressure spring	1.000	ST
12	4.195-233.0	Pushbutton on off DS 6.000	1.000	ST
20	7.303-096.0	Screw 4x22 -ST-10.9-R2R (IN6RD)	5.000	ST
6	6.901-058.0	Suction hose complete	1.000	ST
27	6.902-127.0	Telescopic tube	1.000	ST
29	6.907-376.0	Turbo brush	1.000	ST
26	6.906-622.0	Upholstery nozzle	1.000	ST
10	4.195-255.0	Upper housing set replacement DS 6.000	1.000	ST
1	4.195-072.0	Water filter blue replacement	1.000	ST



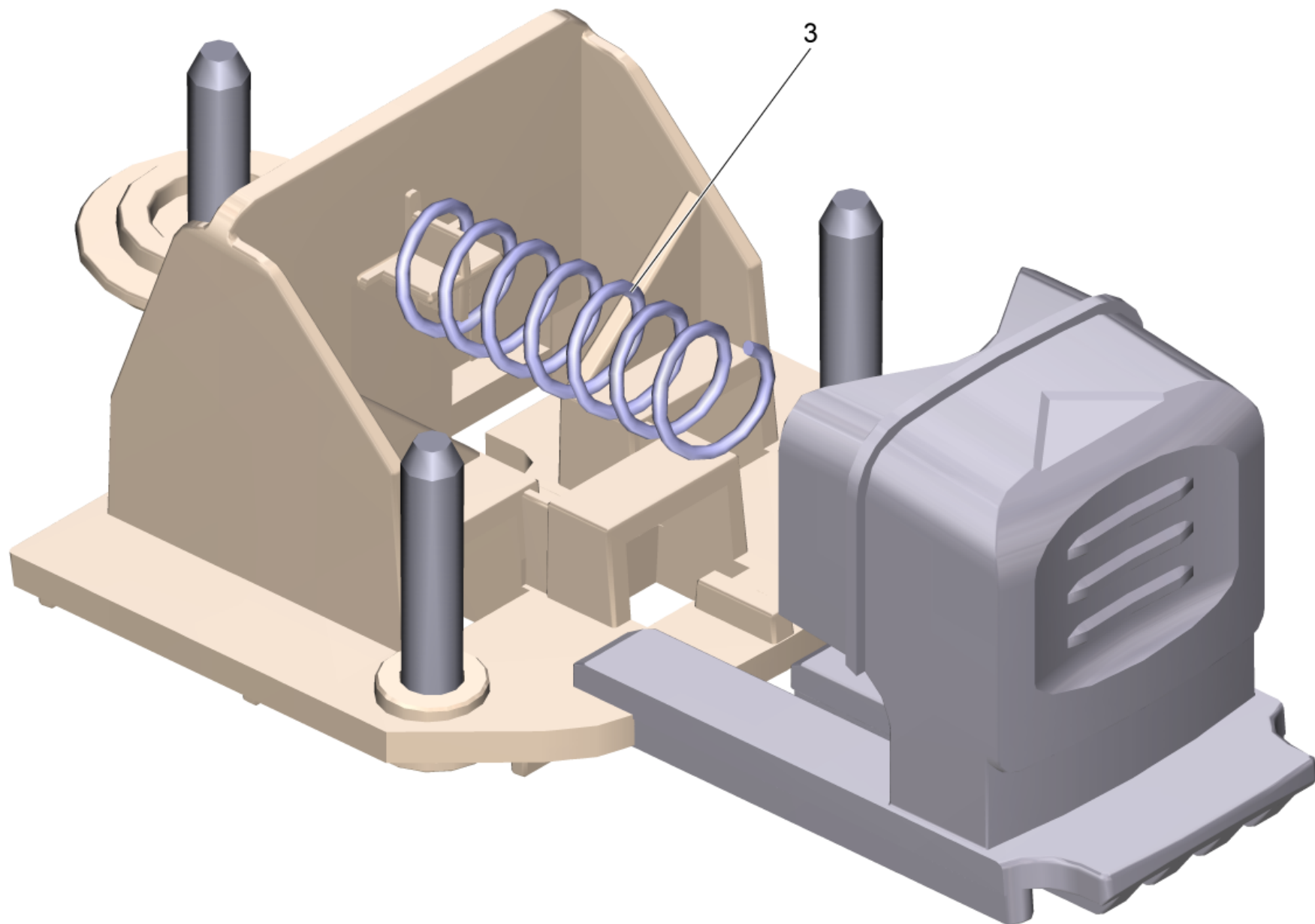
1 Water filter blue replacement (4.195-072.0)

POS	Article no.	Description	Quantity	Unit
2	5.195-366.0	Seal baffle plate	1.000	ST
6	5.195-350.0	Seal box water	1.000	ST



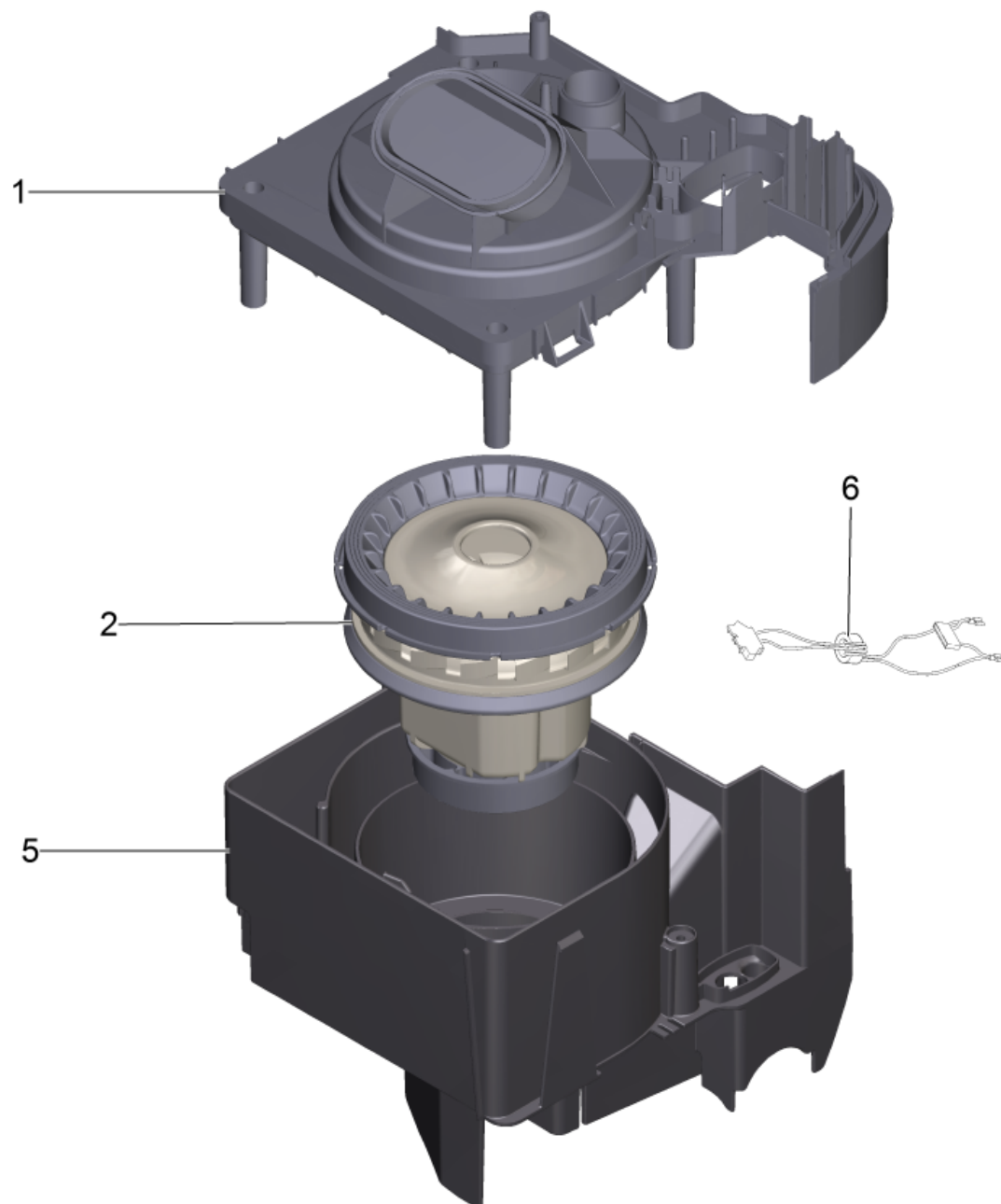
2 Front flap white complete

POS	Article no.	Description	Quantity	Unit
2	5.195-368.0	Air duct	1.000	ST
1	4.195-303.0	Front flap DS 6 Premium for replacement	1.000	ST
7	7.303-096.0	Screw 4x22 -ST-10.9-R2R (IN6RD)	7.000	ST
9000	4.195-224.0	Slider complete for replacement	1.000	ST
3	5.195-367.0	Stop suction hose	1.000	ST



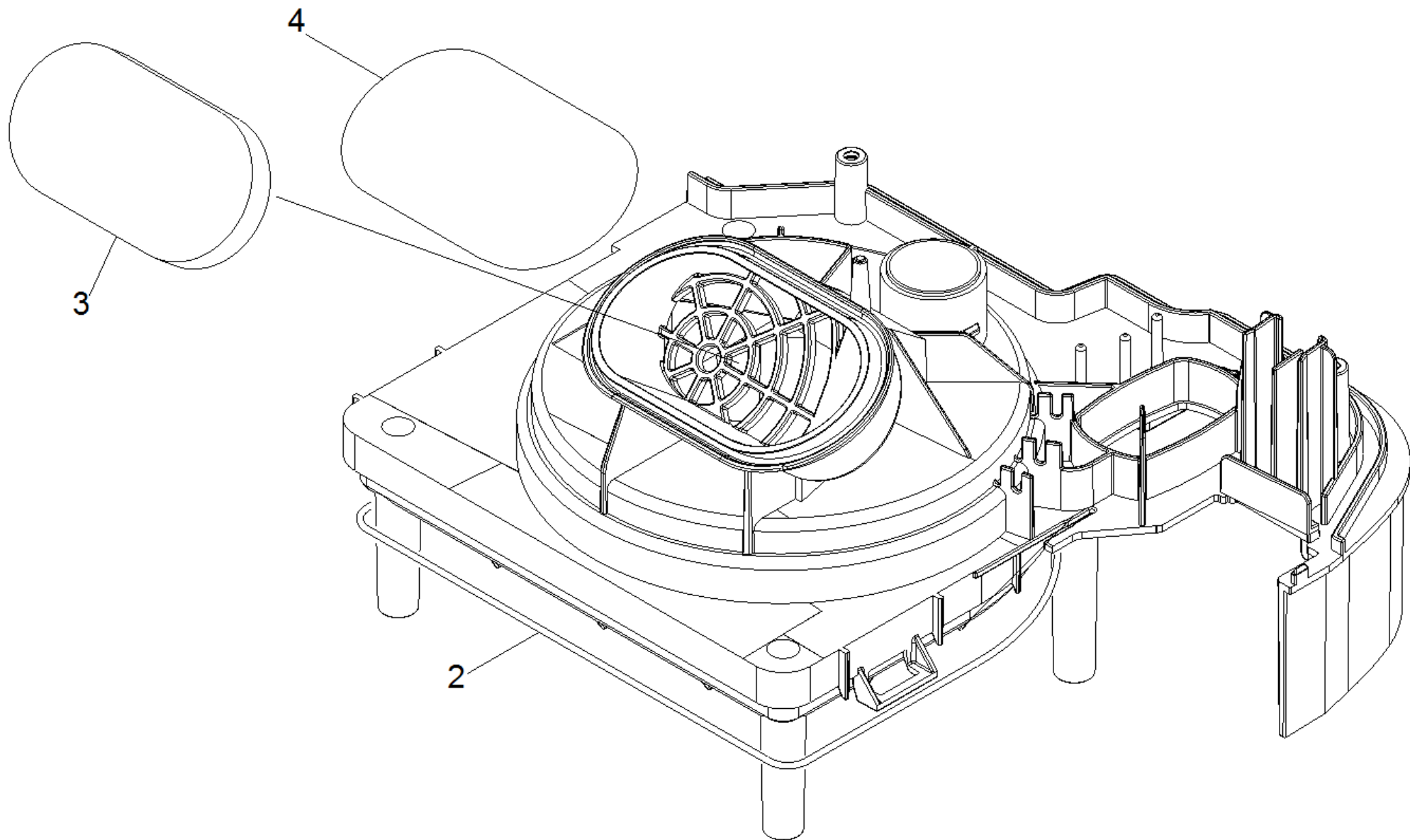
9000 Slider complete for replacement (4.195-224.0)

POS	Article no.	Description	Quantity	Unit
3	5.332-169.0	Pressure spring	1.000	ST



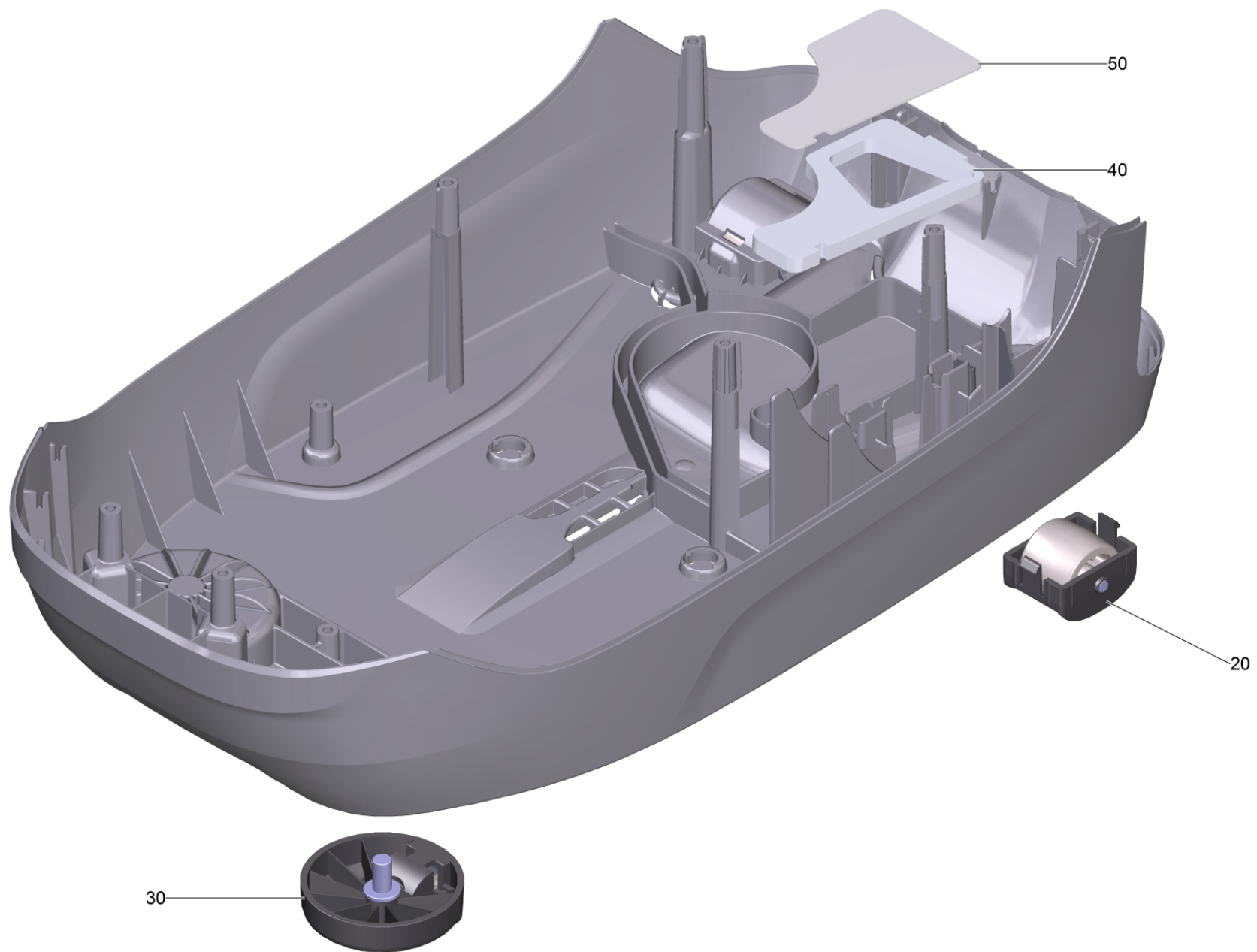
3 Motor unit

POS	Article no.	Description	Quantity	Unit
1	4.195-226.0	Air circulation complete for replacement	1.000	ST
6	4.195-231.0	Cable with capacitor	1.000	ST
5	5.195-370.0	Motor mount	1.000	ST
2	4.195-298.0	Vacuum motor 650W	1.000	ST



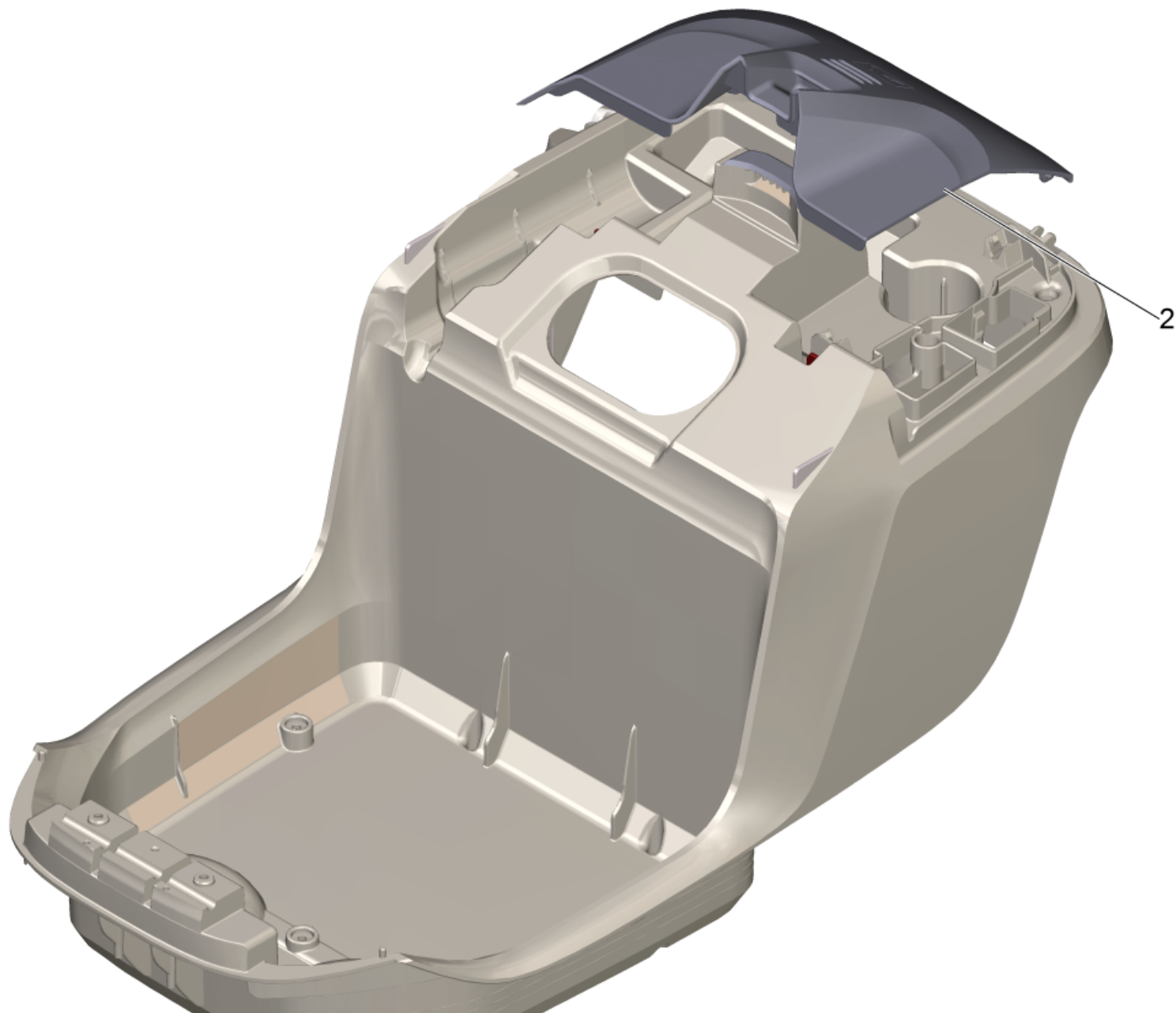
1 Air circulation complete for replacement (4.195-226.0)

POS	Article no.	Description	Quantity	Unit
3	6.195-239.0	Foam insert air circulation DS 6.000	1.000	ST
4	5.195-398.0	Seal air circulation DS 6.000	1.000	ST
2	5.195-376.0	Seal string DS 6.000	1.000	ST



4 Housing bottom part for replacement (4.195-227.0)

POS	Article no.	Description	Quantity	Unit
30	4.195-220.0	Castor complete black	2.000	ST
50	6.195-074.0	Filter GUT	1.000	ST
20	4.195-219.0	Fixed castor complete black	2.000	ST
40	6.195-075.0	Foam insert bottom housing DS 6	1.000	ST



10 Upper housing set replacement DS 6.000 (4.195-255.0)

POS	Article no.	Description	Quantity	Unit
2	5.195-198.3	Accessories flap for replacement DS 6.00	1.000	ST