

Spare parts list

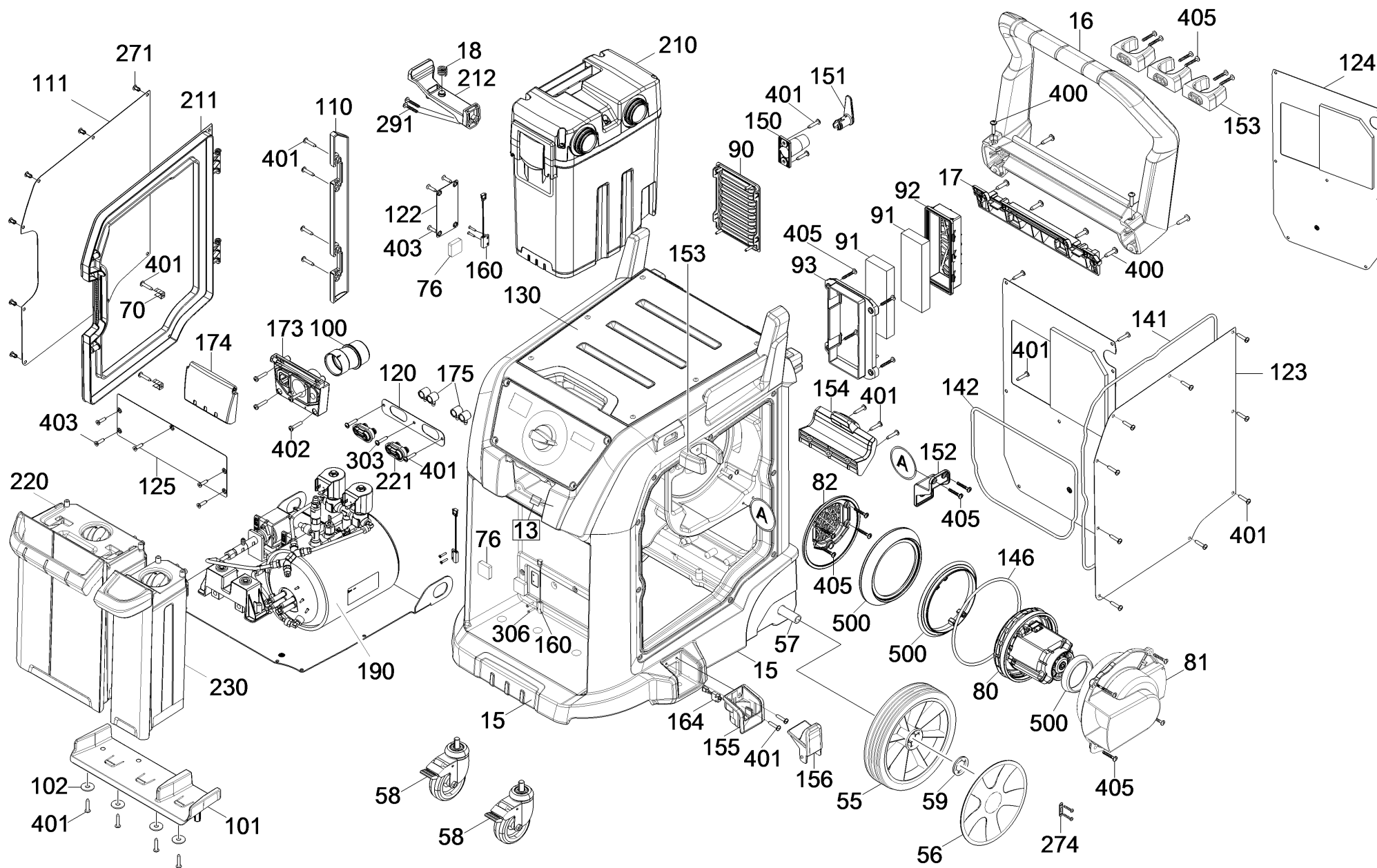
(1.092-010.0) SGV 8/5 *EU

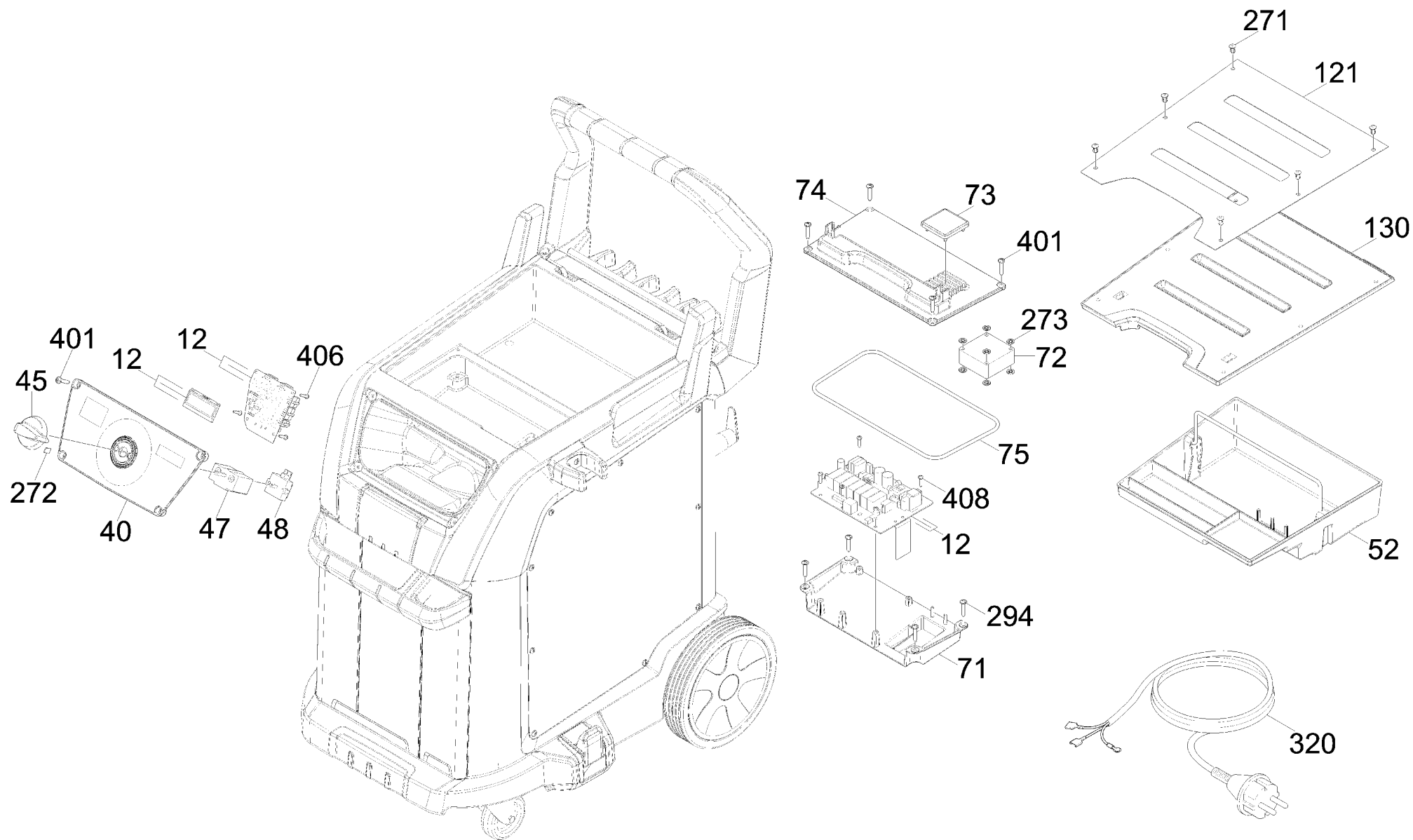
Table of contents

SGV 8/5 *EU (1.092-010.0)	3
4 Spare parts list SGV 8/5 (5.972-543.0)	4
12 Control system SGV 8	9
30 Cable harness SGV 8/5 (4.820-001.0)	11
40 Control panel replacement (4.841-011.0)	13
190 Boiler complete SGV 8/5	15
1 Boiler replacement (4.402-003.0)	18
1 Boiler replacement mit Duo OLAB (4.402-046.0)	20
210 Tank waste water SGV 8/5 und SGV 6/5	22
2 Tank waste water replacement (4.070-007.0)	24
4 Cover waste water replacement (4.067-000.0)	26
220 Water fresh water SGV 8/5, SGV 6/5	28
1 Tank fresh water replacement (4.070-008.0)	30
5 Cover fresh water replacement (4.063-002.0)	32
7 Fuel tank filler cap replacement (4.033-749.0)	34
230 Chemistry SGV 8/5	36
1 Tank cleaning agents replacement (4.070-009.0)	38
5 Cover cleaning agents replacement (4.063-003.0)	40
7 Fuel tank filler cap replacement (4.033-749.0)	42
999 Accessories	44

SGV 8/5 *EU (1.092-010.0)

POS	Article no.	Description	Quantity	Unit
4	5.972-543.0	Spare parts list SGV 8/5	1.000	ST





4 Spare parts list SGV 8/5 (5.972-543.0)

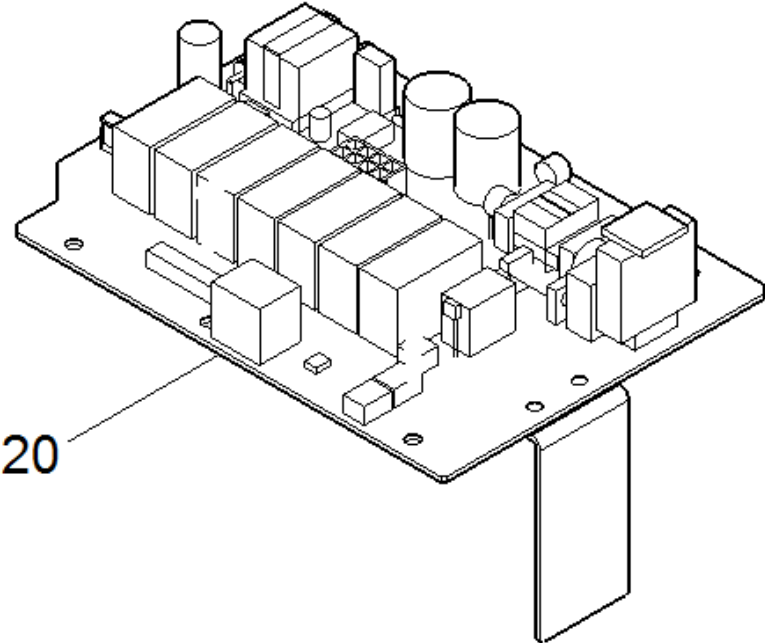
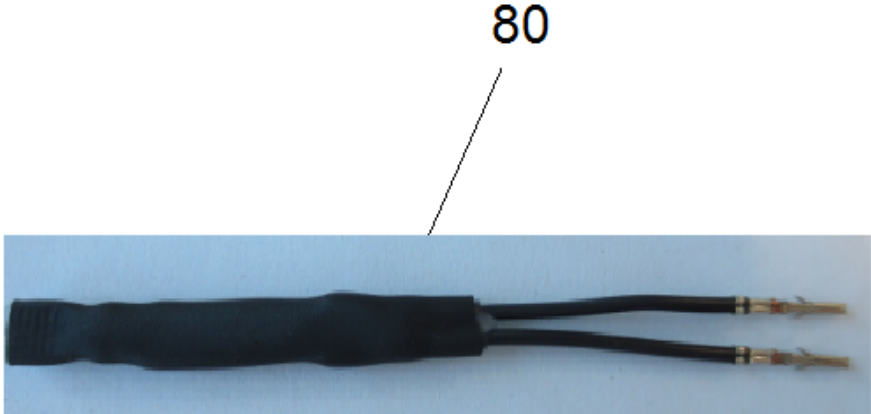
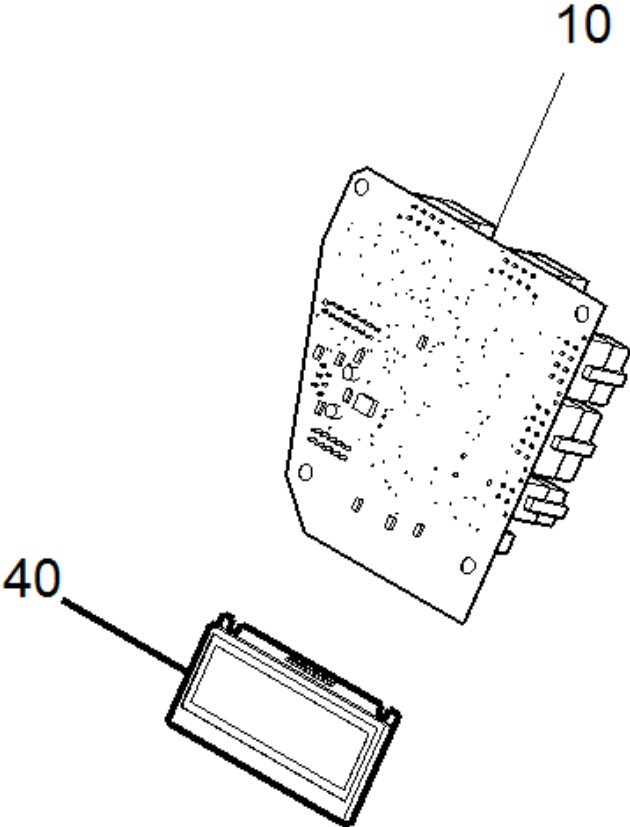
POS	Article no.	Description	Quantity	Unit
12		Control system SGV 8	1.000	ST
13	5.387-036.0	Warning sign	1.000	ST
15	5.051-371.0	Base frame	1.000	ST
16	5.034-979.0	Retaining bracket base frame	1.000	ST
17	5.034-980.0	Screen retaining bracket	1.000	ST
18	5.332-023.0	Helical spring	1.000	ST
40	4.841-011.0	Control panel replacement	1.000	ST
45	5.321-738.0	Handhold operational concept	1.000	ST
47	6.683-270.0	Switch - Easy Operation Programmschalter	1.000	ST
48	6.683-271.0	Switch - Easy Operation Codierschalter	1.000	ST
52	4.051-007.0	Tub accessories replacement	1.000	ST
55	6.435-756.0	Wheel grey D200	2.000	ST
56	4.515-347.0	Set wheel caps only for replacement	1.000	ST
57	5.105-002.0	Axle	1.000	ST
58	6.435-241.0	Castor with brake 75	2.000	ST
59	6.343-168.0	Lock washer	2.000	ST
70	6.330-407.0	Spring clip	6.000	ST
71	5.051-374.0	Carrier electronics	1.000	ST
72	6.484-340.0	Blower	1.000	ST
73	5.031-017.0	Covering cap blower	1.000	ST
74	5.063-002.0	Cover electronics	1.000	ST
75	6.366-060.0	Seal string cover electronics	1.000	ST
76	6.363-030.0	Seal Reedsensor	3.000	ST
80	6.490-245.0	Vac motor 230V	1.000	ST
81	5.063-003.0	Cover blower	1.000	ST
82	5.051-380.0	Grate supply air	1.000	ST
90	5.051-377.0	Grate exhaust opening	1.000	ST
91	6.414-917.0	Filter only for replacement	1.000	ST
92	6.414-915.0	Filter housing	1.000	ST
93	5.060-002.0	Housing blowing filter	1.000	ST
100	5.453-072.0	Adapter aspiration	1.000	ST
101	5.051-379.0	Support box	1.000	ST
102	7.312-289.0	Washer 8 -A2 ISO 7093-1	4.000	ST

4 Spare parts list SGV 8/5 (5.972-543.0)

POS	Article no.	Description	Quantity	Unit
110	5.051-373.0	Screen hinge	1.000	ST
111	5.007-006.0	Plate door right	1.000	ST
120	5.007-161.0	Plate connection fresh water	1.000	ST
121	5.007-023.0	Plate cover accessories	1.000	ST
122	5.007-148.0	Plate sensor waste water	1.000	ST
123	4.038-001.0	Plate side panel left kpl.	1.000	ST
124	4.038-000.0	Plate rear complete	1.000	ST
125	5.007-138.0	Plate sensor fresh water	1.000	ST
130	5.063-001.0	Cover accessories	1.000	ST
141	6.366-061.0	Seal string side plate	1.000	ST
142	6.366-062.0	Seal string covering rear	1.000	ST
146	6.365-580.0	Profile gasket cellular rubber	1.000	ST
150	5.044-160.0	Holder cable hook	2.000	ST
151	5.044-661.0	Catch for cable yellow	2.000	ST
152	5.044-172.0	Holder pressure switch	1.000	ST
153	5.044-117.0	Holder suction tube	4.000	ST
154	5.044-157.0	Holder floor nozzle	1.000	ST
155	5.044-158.0	Holder flushing	1.000	ST
156	5.051-378.0	Flap	1.000	ST
160	6.630-763.0	Switch level (Reedsensor)	3.000	ST
163	4.820-011.0	Cable harness SGV - Microschalter mit Mi	1.000	ST
164	4.820-012.0	Cable harness SGV - Microschalter mit μ F	1.000	ST
173	6.646-009.0	Plug socket	1.000	ST
174	6.394-266.0	Covering cap plug socket	1.000	ST
175	5.580-053.0	ANGLE NIPPLE	4.000	ST
190		Boiler complete SGV 8/5	1.000	ST
210		Tank waste water SGV 8/5 und SGV 6/5	1.000	ST
211	5.051-372.0	Screen door right	1.000	ST
212	5.051-376.0	Locking bar waste water	1.000	ST
220		Water fresh water SGV 8/5, SGV 6/5	1.000	ST
221	5.580-052.0	Valve tank	2.000	ST
230		Chemistry SGV 8/5	1.000	ST
271	6.641-540.0	Expanding rivet 6,0	14.000	ST

4 Spare parts list SGV 8/5 (5.972-543.0)

POS	Article no.	Description	Quantity	Unit
272	6.313-014.0	Spring element	1.000	ST
273	6.343-005.0	Quick-fastener steel	8.000	ST
274	6.903-241.0	Clamp clip	1.000	ST
320	6.648-098.0	Power cable rubber 7,5m	1.000	ST
321	6.647-748.0	Insulation sheath	2.000	ST
330	6.641-463.0	Cable tape	5.000	ST
400	7.303-113.0	Screw 6x25 -10.9-R2R (In6Rd)	13.000	ST
401	6.303-200.0	Screw 5x25-IN6RD	53.000	ST
402	7.306-079.0	Screw M5x25 -8.8-P2R (In6Rd)	4.000	ST
403	7.303-128.0	Countersunk screw 5x20 -10.9-R2R (In6Rd)	9.000	ST
404	7.303-092.0	Screw 3x12 -10.9-R2R (K-In6Rd)	6.000	ST
405	7.303-086.0	Screw 5x30 -10.9-R2R (K-In6Rd)	22.000	ST
406	7.303-206.0	Screw 3,5x16 -10.9-A2E (In6Rd)	4.000	ST
407	7.303-084.0	Screw 4x25 -10.9-R2R (K-In6Rd)	2.000	ST
408	7.303-129.0	Screw 4x16 -10.9-R2R (K-In6Rd)	9.000	ST
500	2.840-029.0	Set seal replacement	1.000	ST
999		Accessories	1.000	ST



12 Control system SGV 8

POS	Article no.	Description	Quantity	Unit
10	4.683-018.0	Control system replacement SGV 8 μ C-card	1.000	ST
20	4.683-020.0	Control system replacement SGV 6/8 power	1.000	ST
30	4.820-001.0	Cable harness SGV 8/5	1.000	ST
40	4.683-019.0	Control system replacement SGV 6/8 LCD-M	1.000	ST
80	2.650-000.0	Plug contact for replacement SGV	1.000	ST

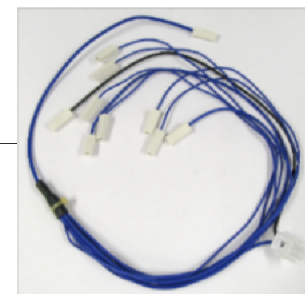
9001



9002



9004



9006



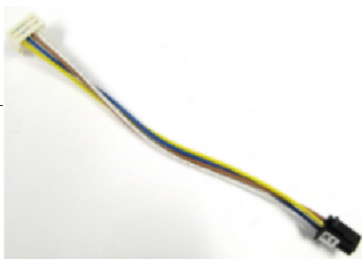
9007



9009



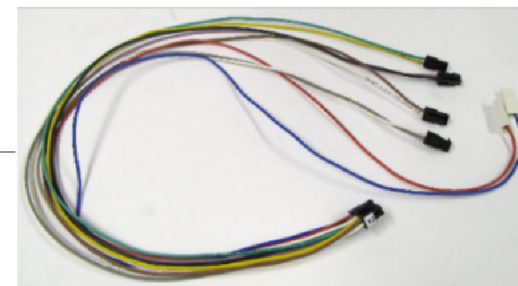
9010



9012

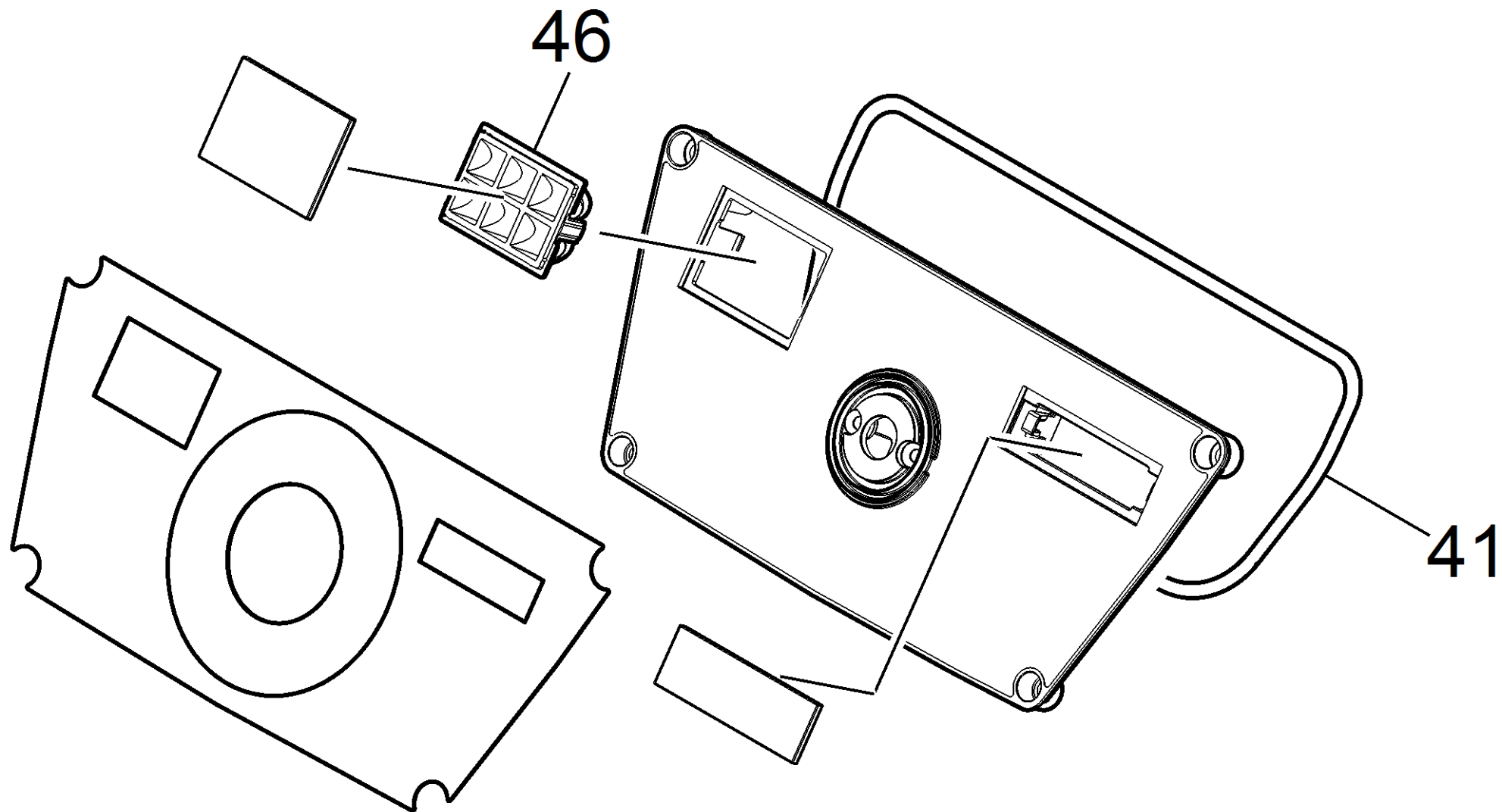


9014



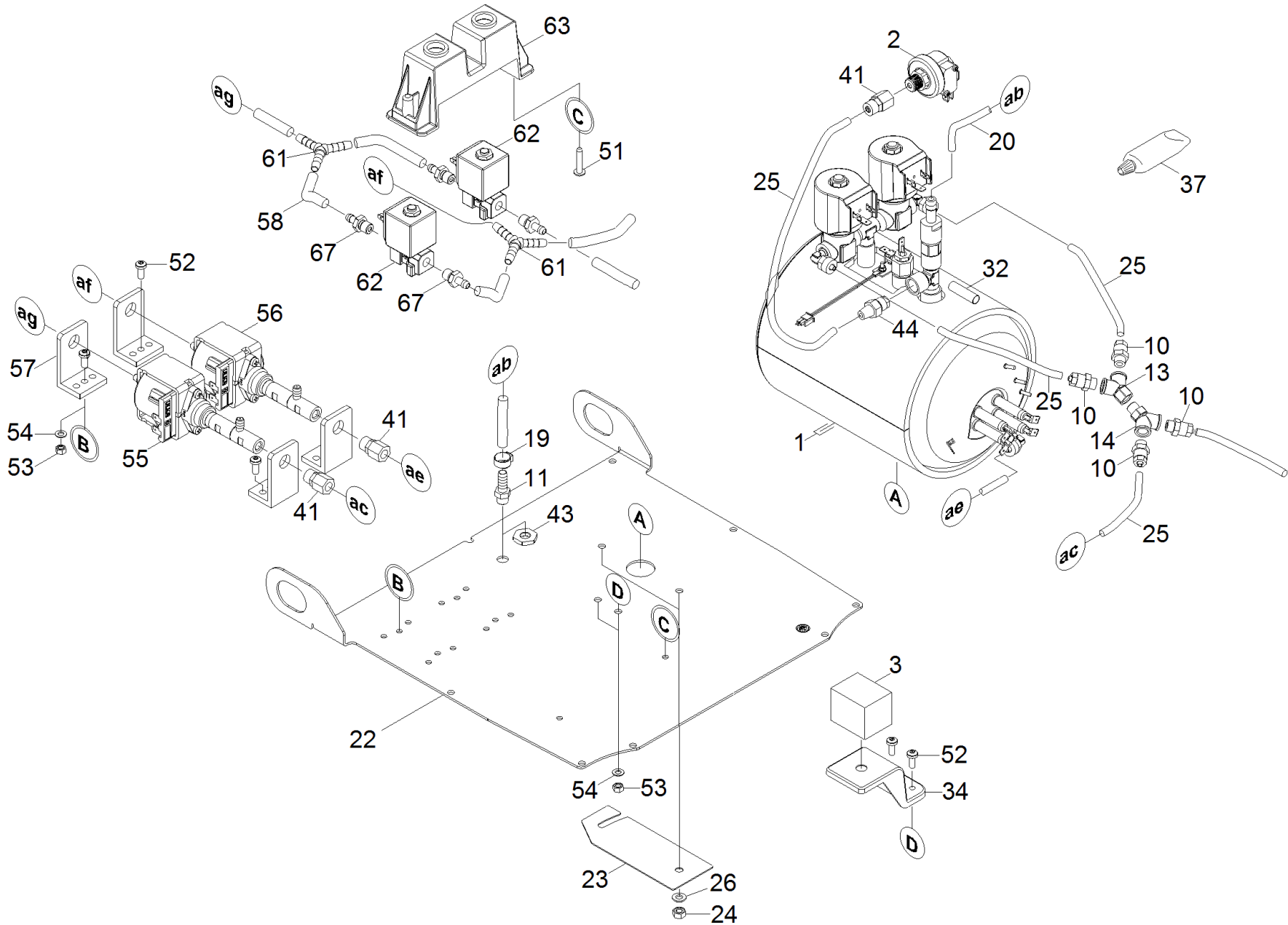
30 Cable harness SGV 8/5 (4.820-001.0)

POS	Article no.	Description	Quantity	Unit
9001	6.683-439.0	Cable replacement W4	1.000	ST
9002	6.683-440.0	Protective earth conductor connections P	1.000	ST
9004	6.683-442.0	Neutral conductor connections N SGV 8/5	1.000	ST
9006	6.683-444.0	Neutral conductor connections N Heizung	1.000	ST
9007	6.683-445.0	Power electronics X3 SGV 8/5	1.000	ST
9009	6.683-447.0	Cable replacement W11	1.000	ST
9010	6.683-448.0	Cable replacement W8	1.000	ST
9012	6.683-450.0	Cable replacement W10 SGV 8/5	1.000	ST
9014	6.683-452.0	Cable replacement W7 SGV 8/5	1.000	ST



40 Control panel replacement (4.841-011.0)

POS	Article no.	Description	Quantity	Unit
41	5.363-816.0	Seal control panel	1.000	ST
46	5.060-001.0	Housing LED	1.000	ST



190 Boiler complete SGV 8/5

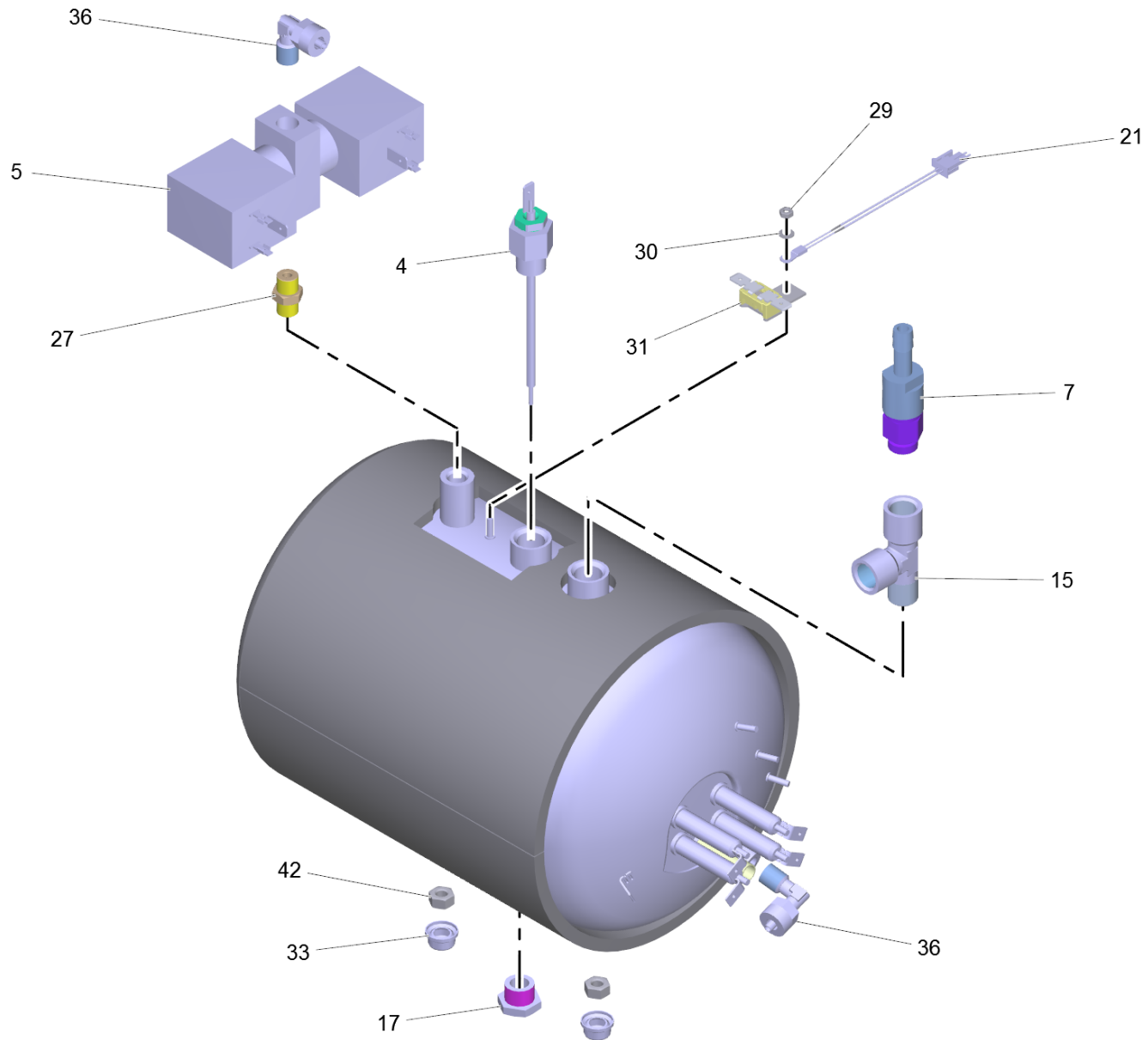
POS	Article no.	Description	Quantity	Unit	Serial number from	Serial number to	Remark	Foot note text
1	4.402-003.0	Boiler replacement	1.000	ST		10740	Buerkert	
1	4.402-046.0	Boiler replacement mit Duo OLAB	1.000	ST	10741		OLAB	
2	6.402-064.0	Pressure switch	1.000	ST				
3	2.840-036.0	Spare part set thermostat assembly	1.000	ST				
10	6.386-612.0	Screw connector 4,0 G1/8	4.000	ST				
11	6.409-000.0	Nipple	1.000	ST				
13	6.869-091.0	Connection Y-Stueck 1/8" (3xIG)	1.000	ST				
14	6.869-092.0	Connection Y-Stueck 1/8" (2xIG, 1xAG)	1.000	ST				
19	6.388-701.0	Hose clip with insert 13,3	2.000	ST				
20	6.390-571.0	Steam hose	1.000	M				TO ORDER AS CUT GOODS
23	5.007-247.0	Cover plate drain screw	1.000	ST				
24	7.311-003.0	Hexagon nut M6 -8-A2E ISO 4032	2.000	ST				
25	6.391-005.0	Hose PTFE 6x4	1.440	M				TO ORDER AS CUT GOODS
26	7.312-003.0	Washer 6 -200HV-A3E ISO 7090	2.000	ST				
32	6.347-001.0	Sleeve silicon	2.000	ST				
34	5.044-172.0	Holder pressure switch	1.000	ST				
37	6.869-007.0	Quick-bonding agent 50g	1.000	ZST				
41	6.386-622.0	Screw connector 4,0-G1/8	3.000	ST				
43	6.310-196.0	Nut G1/8" / h=4mm	1.000	ST				
44	6.389-116.0	Screw connector 4,0-R1/4	1.000	ST				
51	6.303-200.0	Screw 5x25-IN6RD	2.000	ST				
52	7.306-181.0	Screw M 5x	6.000	ST				

190 Boiler complete SGV 8/5

POS	Article no.	Description	Quantity	Unit	Serial number from	Serial number to	Remark	Foot note text
		12-A2-70 (In6Rd)						
53	7.311-002.0	Hexagon nut M5 -8-A2E ISO 4032	6.000	ST				
54	7.312-002.0	Washer 5-200HV- A3E ISO 7090	6.000	ST				
55	4.472-004.0	Water pump complete ULKA EP77	1.000	ST				
56	4.472-003.0	Pump complete ULKA EX5	1.000	ST				
57	6.401-482.0	Bearing rubber pump	4.000	ST				
58	6.391-336.0	Hose	2.310	M				
61	6.389-002.0	Hose coupling Y- Tuelle Y5 MS	2.000	ST				
62	6.686-575.0	Solenoid valve CEME	2.000	ST				
63	5.044-146.0	Holder valve	1.000	ST				
67	5.443-480.0	Nipple	4.000	ST				

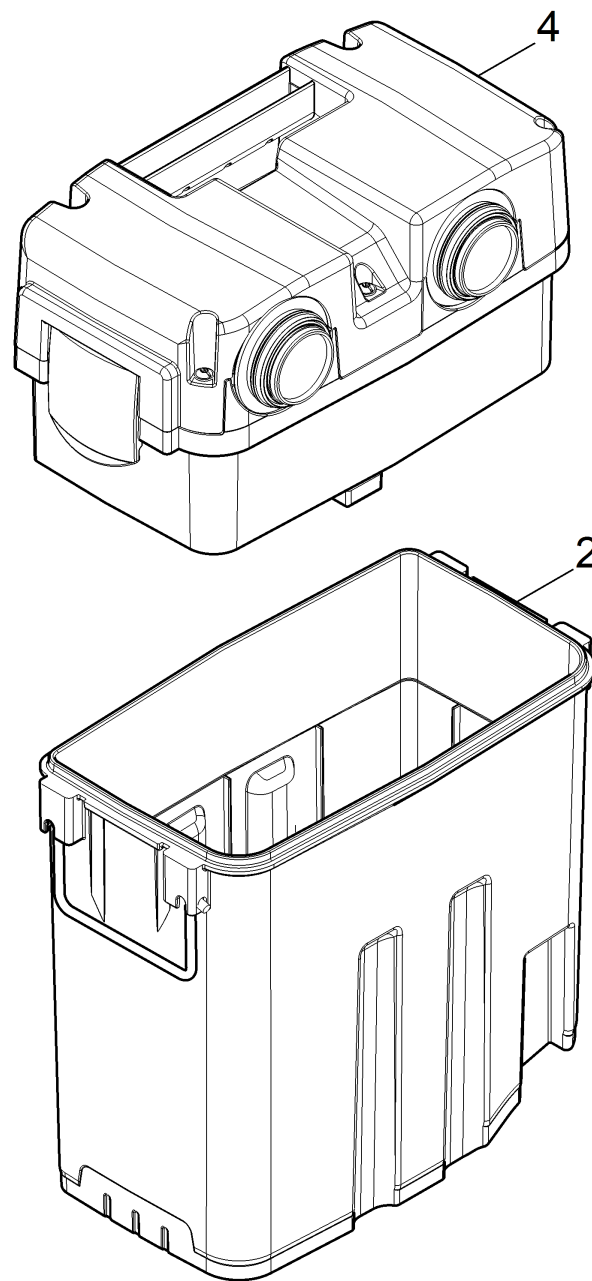
1 Boiler replacement (4.402-003.0)

POS	Article no.	Description	Quantity	Unit
4	4.901-102.0	Probe complete	1.000	ST
5	6.402-066.0	Solenoid valve Bürkert 1,0 mm	1.000	ST
6	6.402-067.0	Solenoid valve Bürkert 1,5 mm	1.000	ST
7	6.402-068.0	Safety valve complete 12 bar (1,2 MPa)	1.000	ST
15	6.869-093.0	Connection T-Stueck 1/4" (2xIG, 1xAG)	1.000	ST
16	6.869-094.0	Connection T-piece 1/8" (3xAG)	1.000	ST
17	6.304-182.0	Drain screw boiler 1/4"	1.000	ST
21	6.746-000.0	Temperature probe boiler	1.000	ST
29	7.311-000.0	Hexagon nut M3 -8-A2E ISO 4032	1.000	ST
30	7.312-030.0	Washer 3-CuZn-E2E ISO7089	1.000	ST
31	6.630-187.0	Fuse thermostat	1.000	ST
33	6.368-403.0	Protecting cap hexagon screw	2.000	ST
36	6.386-016.0	Elbow screw connector 6/4 G1/8	1.000	ST
42	7.311-003.0	Hexagon nut M6 -8-A2E ISO 4032	2.000	ST



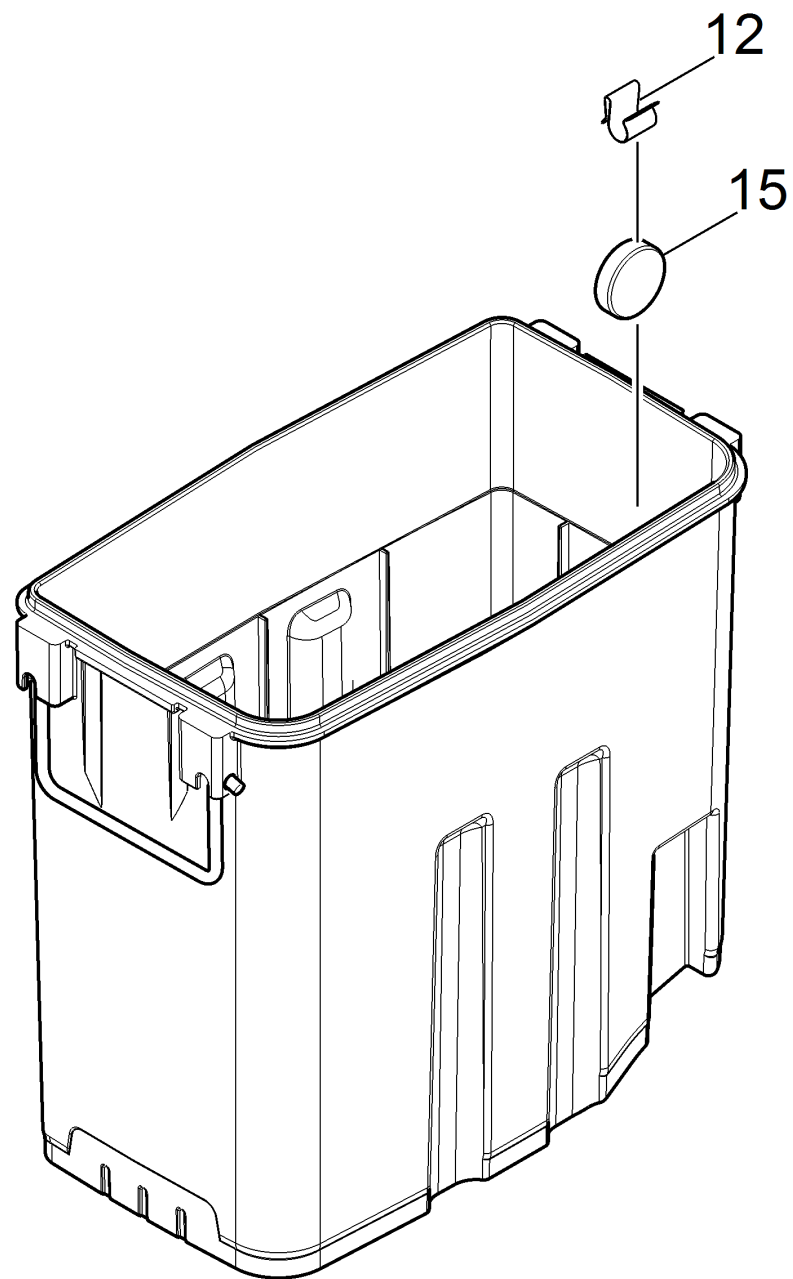
1 Boiler replacement mit Duo OLAB (4.402-046.0)

POS	Article no.	Description	Quantity	Unit
4	4.901-102.0	Probe complete	1.000	ST
5	6.402-000.0	Solenoid valve -Duo OLAB	1.000	ST
7	6.402-068.0	Safety valve complete 12 bar (1,2 MPa)	1.000	ST
15	6.869-093.0	Connection T-Stueck 1/4" (2xIG, 1xAG)	1.000	ST
17	6.304-182.0	Drain screw boiler 1/4"	1.000	ST
21	6.746-000.0	Temperature probe boiler	1.000	ST
27	6.385-818.0	Double nipple 1/8"	1.000	ST
29	7.311-000.0	Hexagon nut M3 -8-A2E ISO 4032	1.000	ST
30	7.312-030.0	Washer 3-CuZn-E2E ISO7089	1.000	ST
31	6.630-187.0	Fuse thermostat	1.000	ST
33	6.368-403.0	Protecting cap hexagon screw	2.000	ST
36	6.386-016.0	Elbow screw connector 6/4 G1/8	2.000	ST
42	7.311-003.0	Hexagon nut M6 -8-A2E ISO 4032	2.000	ST



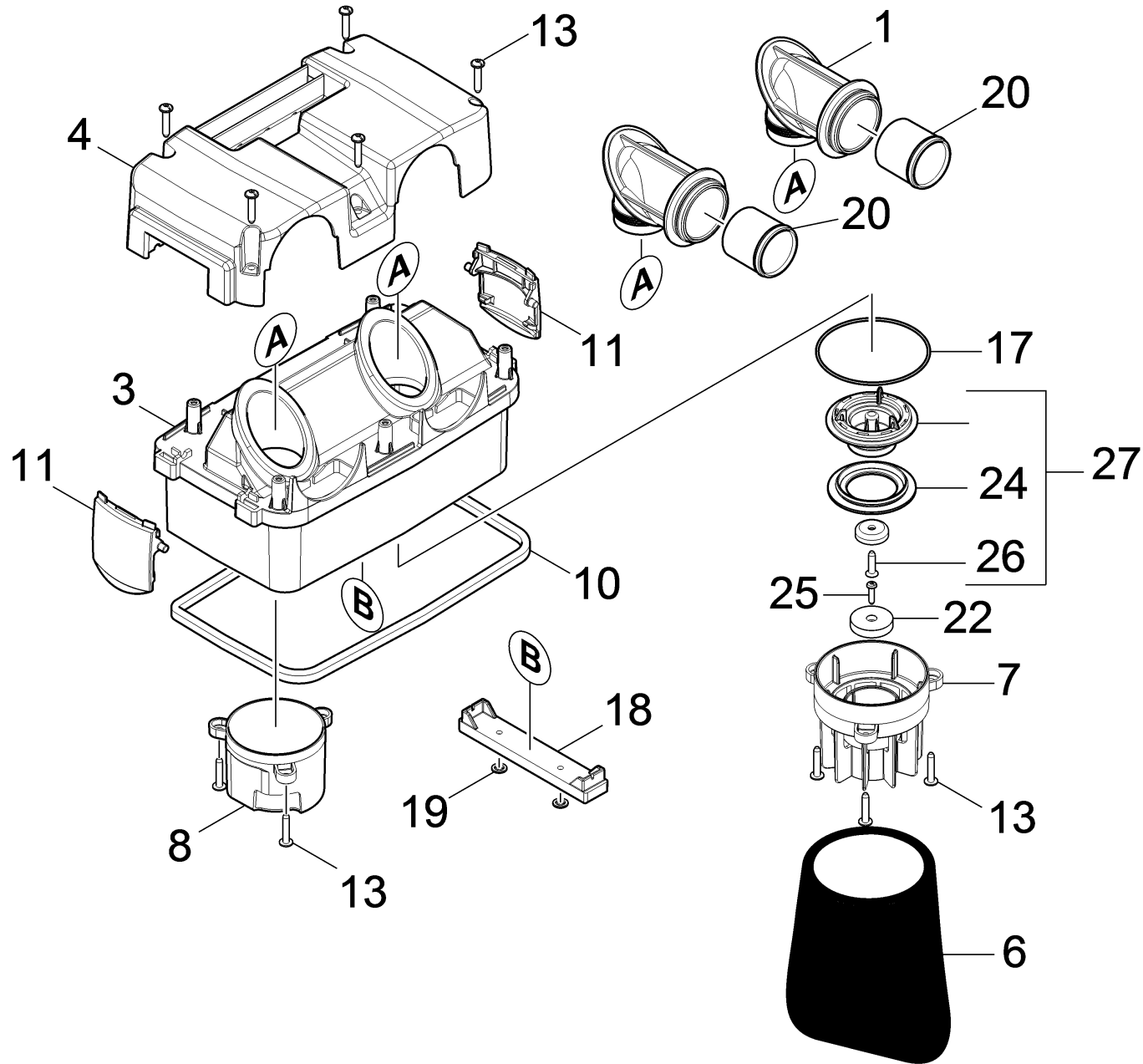
210 Tank waste water SGV 8/5 und SGV 6/5

POS	Article no.	Description	Quantity	Unit
2	4.070-007.0	Tank waste water replacement	1.000	ST
4	4.067-000.0	Cover waste water replacement	1.000	ST



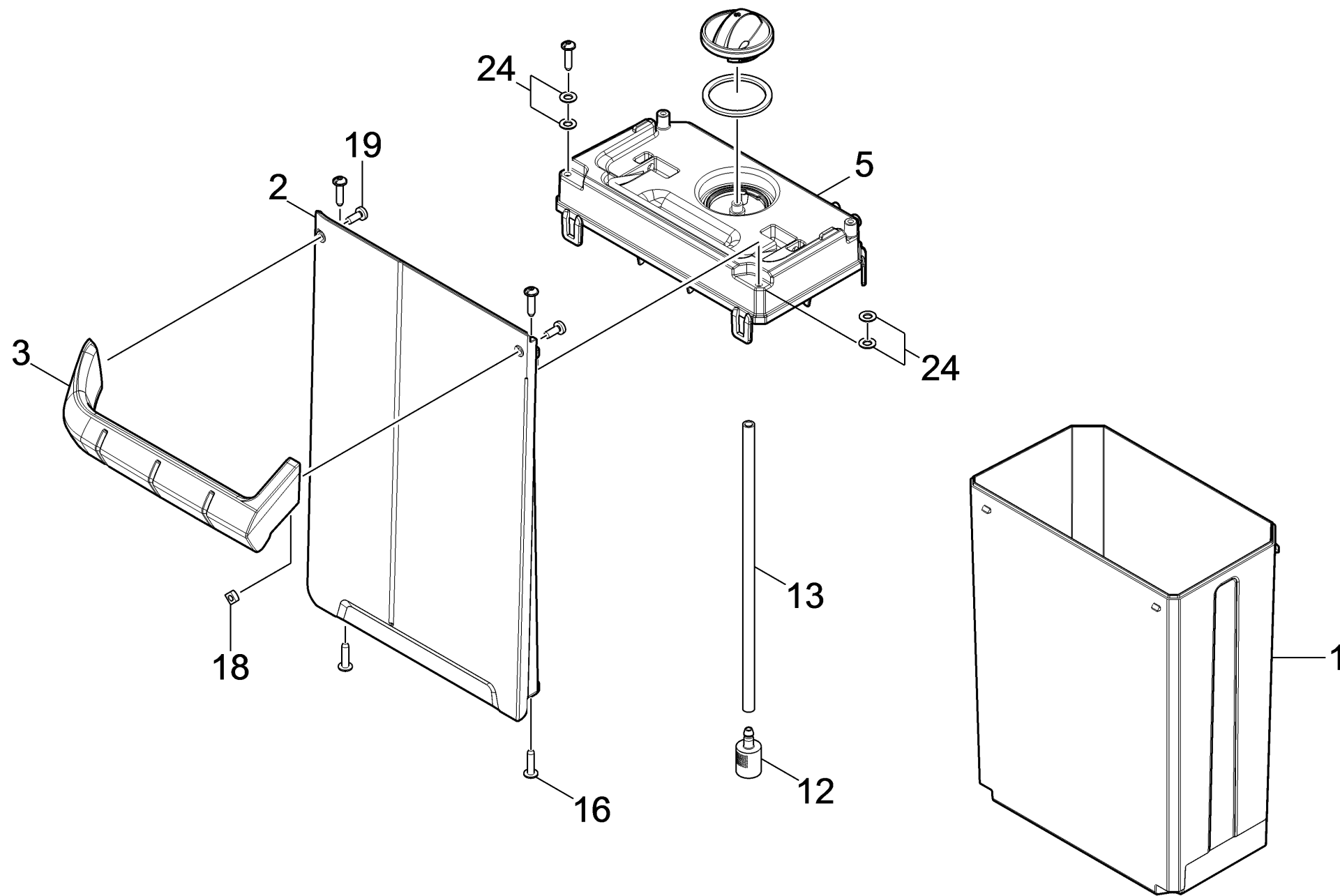
2 Tank waste water replacement (4.070-007.0)

POS	Article no.	Description	Quantity	Unit
12	6.512-010.0	Clamp	1.000	ST
15	6.512-009.0	Float	1.000	ST



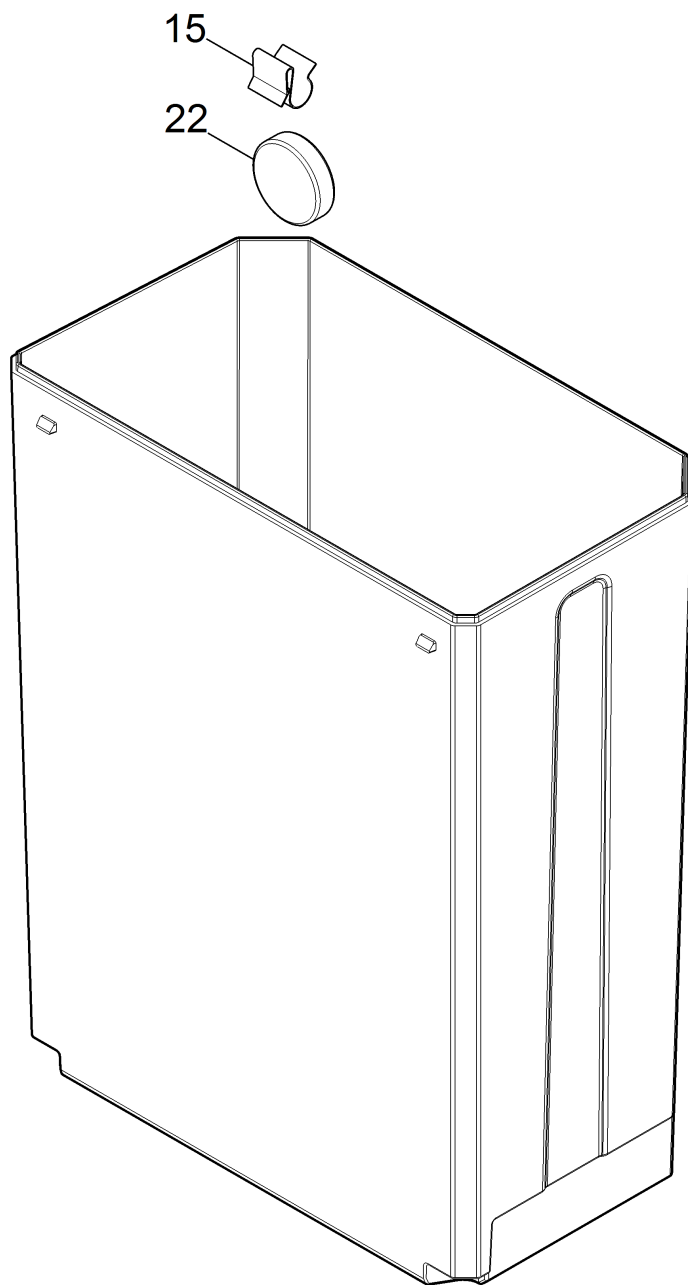
4 Cover waste water replacement (4.067-000.0)

POS	Article no.	Description	Quantity	Unit
1	5.453-071.0	Adapter box waste water	2.000	ST
3	5.063-008.0	Cover waste water	1.000	ST
4	5.067-001.0	Cover waste water	1.000	ST
6	6.414-001.0	Filter	1.000	ST
7	5.605-405.0	Housing exhaust air waste water	1.000	ST
8	5.032-016.0	Pot supply air waste water	1.000	ST
10	5.363-817.0	Seal cover waste water	1.000	ST
11	5.033-412.0	Locking clip	2.000	ST
13	7.303-086.0	Screw 5x30 -10.9-R2R (K-In6Rd)	11.000	ST
17	5.363-819.0	Seal valve housing waste water	1.000	ST
18	5.058-078.0	Stay SW	1.000	ST
19	6.343-005.0	Quick-fastener steel	2.000	ST
20	5.110-003.0	Sleeve SW	1.000	ST
22	6.312-146.0	Washer magnet	1.000	ST
24	5.363-820.0	Seal valve plate	1.000	ST
25	7.303-129.0	Screw 4x16 -10.9-R2R (K-In6Rd)	1.000	ST
26	7.303-128.0	Countersunk screw 5x20 -10.9-R2R (In6Rd)	1.000	ST
27	2.840-037.0	Set magnet replacement	1.000	ST



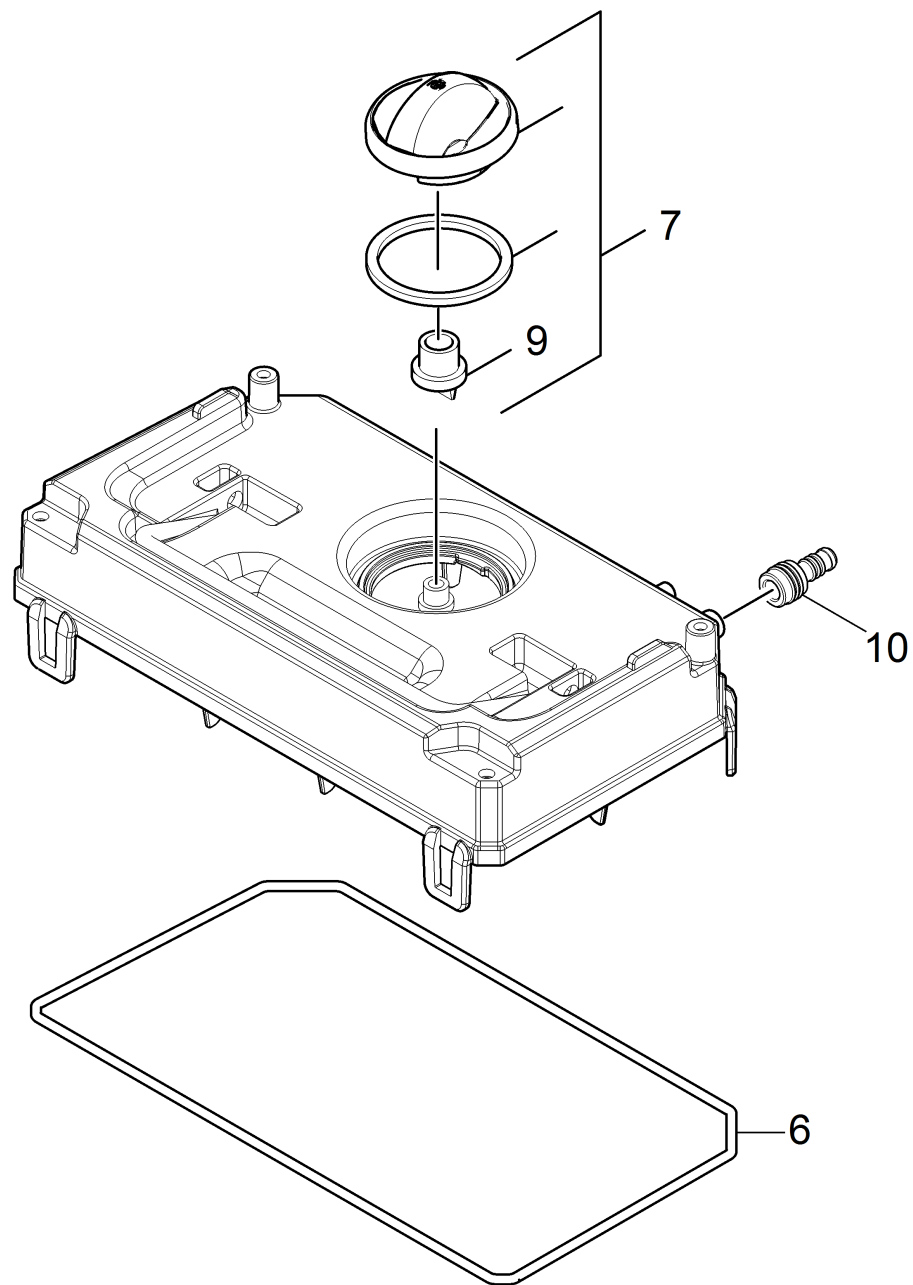
220 Water fresh water SGV 8/5, SGV 6/5

POS	Article no.	Description	Quantity	Unit	Foot note text
1	4.070-008.0	Tank fresh water replacement	1.000	ST	
2	5.051-381.0	Screen fresh water	1.000	ST	
3	5.321-005.0	Handhold fresh water	1.000	ST	
5	4.063-002.0	Cover fresh water replacement	1.000	ST	
12	5.731-652.0	Filter with weight	1.000	ST	
13	6.391-336.0	Hose	0.160	M	TO ORDER AS CUT GOODS
16	7.303-108.0	Screw 5x20 -10.9-R2R (In6Rd)	4.000	ST	
18	7.311-573.0	Square nut M5 -05-A2E DIN 557	2.000	ST	
19	7.306-394.0	Screw M5x12-8.8-ZNBHL ISO14583	2.000	ST	
24	7.312-002.0	Washer 5-200HV-A3E ISO 7090	6.000	ST	



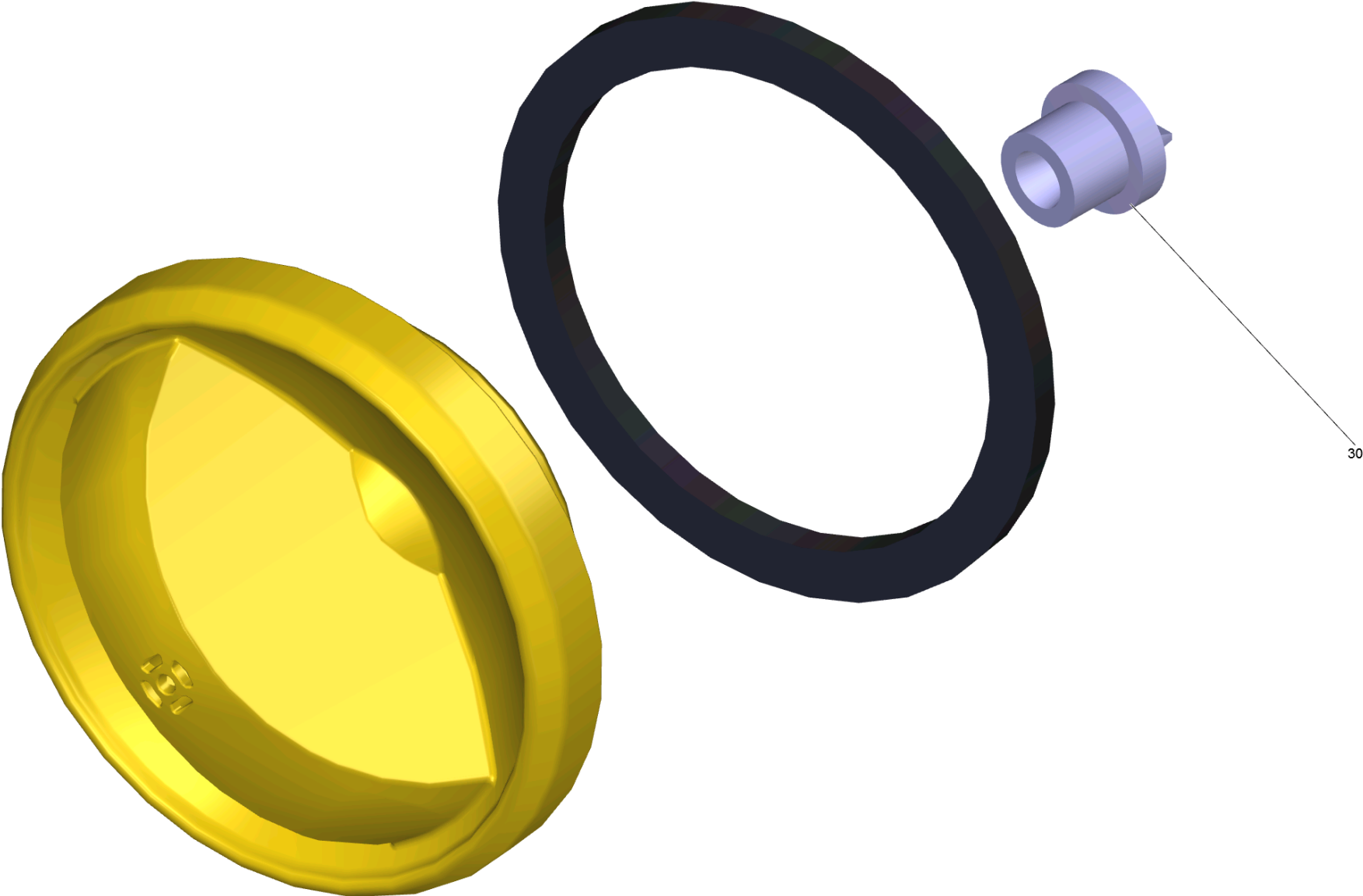
1 Tank fresh water replacement (4.070-008.0)

POS	Article no.	Description	Quantity	Unit
15	6.512-010.0	Clamp	1.000	ST
22	6.512-009.0	Float	1.000	ST



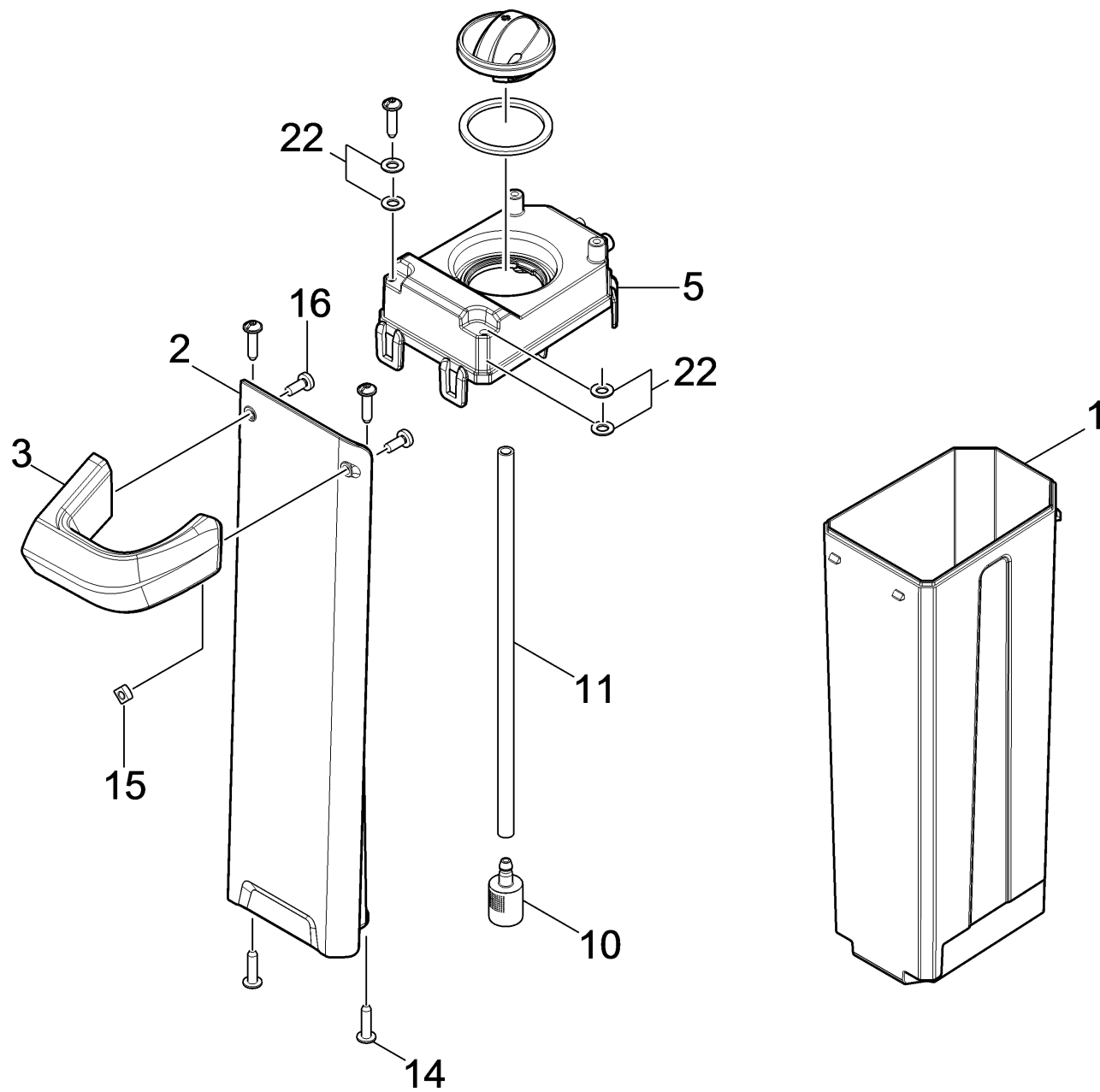
5 Cover fresh water replacement (4.063-002.0)

POS	Article no.	Description	Quantity	Unit
6	6.366-063.0	Round cord seal	1.000	ST
7	4.033-749.0	Fuel tank filler cap replacement	1.000	ST
9	6.414-896.0	Ventilating valve	1.000	ST
10	5.409-650.0	Nipple connection box	1.000	ST

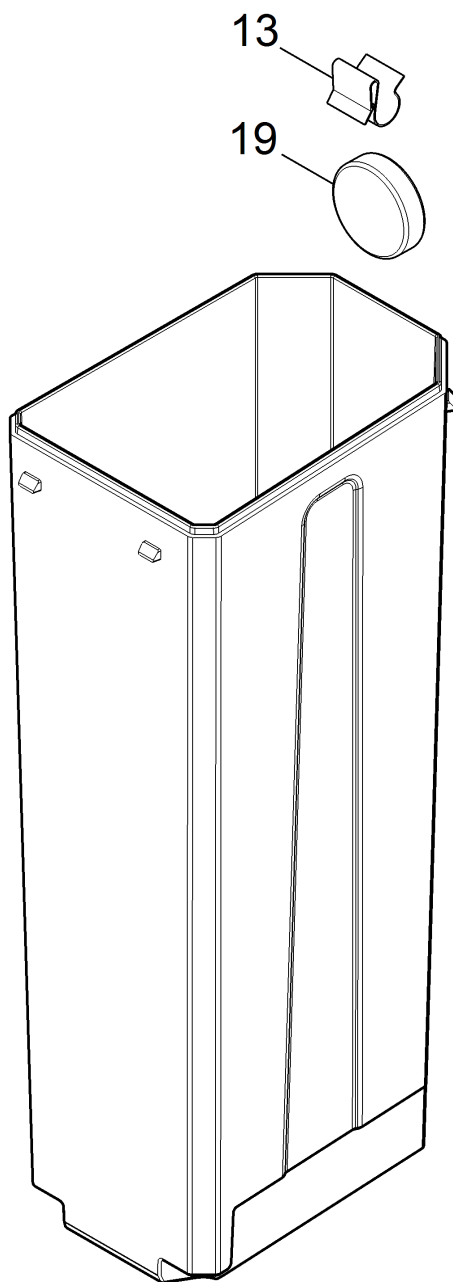


7 Fuel tank filler cap replacement (4.033-749.0)

POS	Article no.	Description	Quantity	Unit
30	6.414-896.0	Ventilating valve	1.000	ST

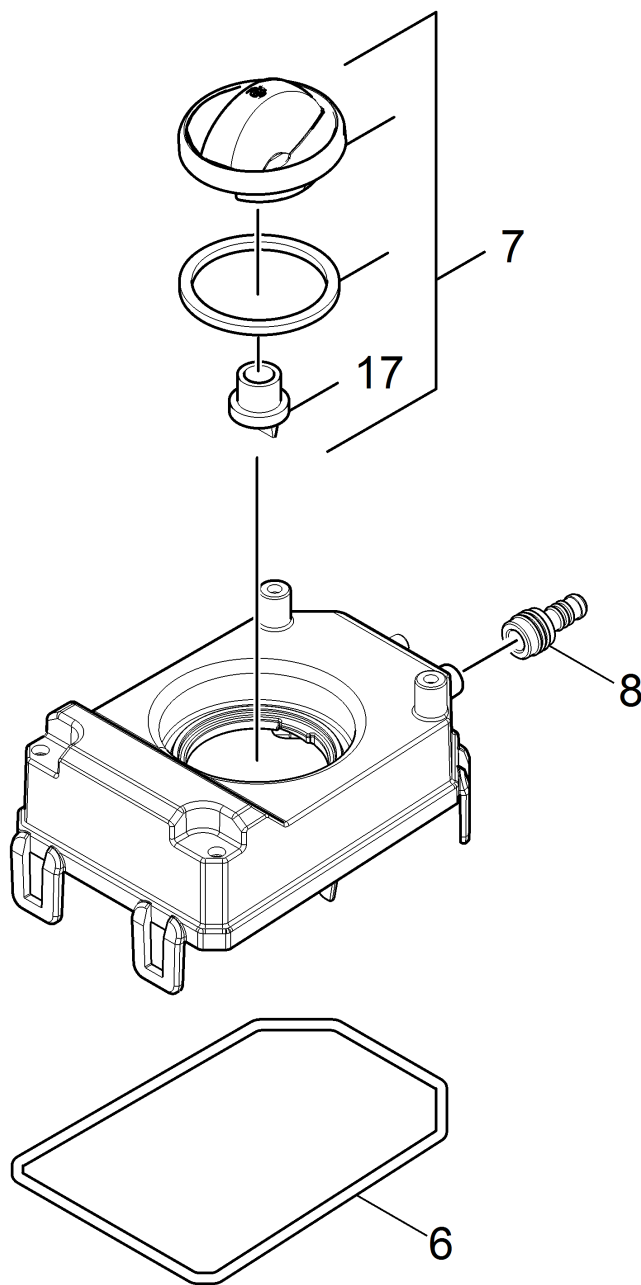


POS	Article no.	Description	Quantity	Unit	Foot note text
1	4.070-009.0	Tank cleaning agents replacement	1.000	ST	
2	5.051-382.0	Screen cleaning agents	1.000	ST	
3	5.321-007.0	Handhold cleaning agents	1.000	ST	
5	4.063-003.0	Cover cleaning agents replacement	1.000	ST	
10	5.731-652.0	Filter with weight	1.000	ST	
11	6.391-336.0	Hose	0.160	M	TO ORDER AS CUT GOODS
14	7.303-108.0	Screw 5x20 -10.9-R2R (In6Rd)	4.000	ST	
15	7.311-573.0	Square nut M5 -05-A2E DIN 557	2.000	ST	
16	7.306-394.0	Screw M5x12-8.8-ZNBHL ISO14583	2.000	ST	
22	7.312-002.0	Washer 5-200HV-A3E ISO 7090	6.000	ST	



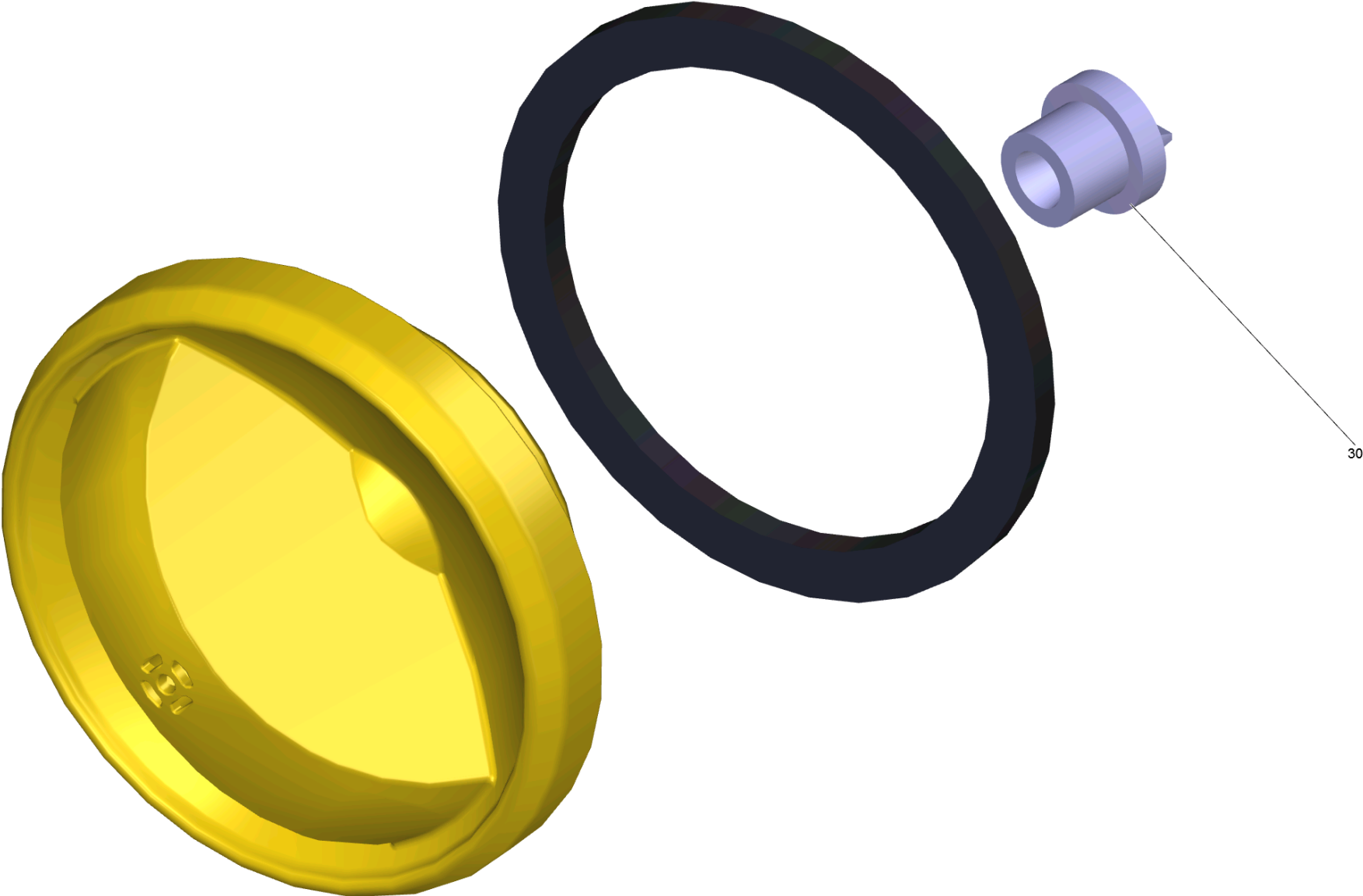
1 Tank cleaning agents replacement (4.070-009.0)

POS	Article no.	Description	Quantity	Unit
13	6.512-010.0	Clamp	1.000	ST
19	6.512-009.0	Float	1.000	ST



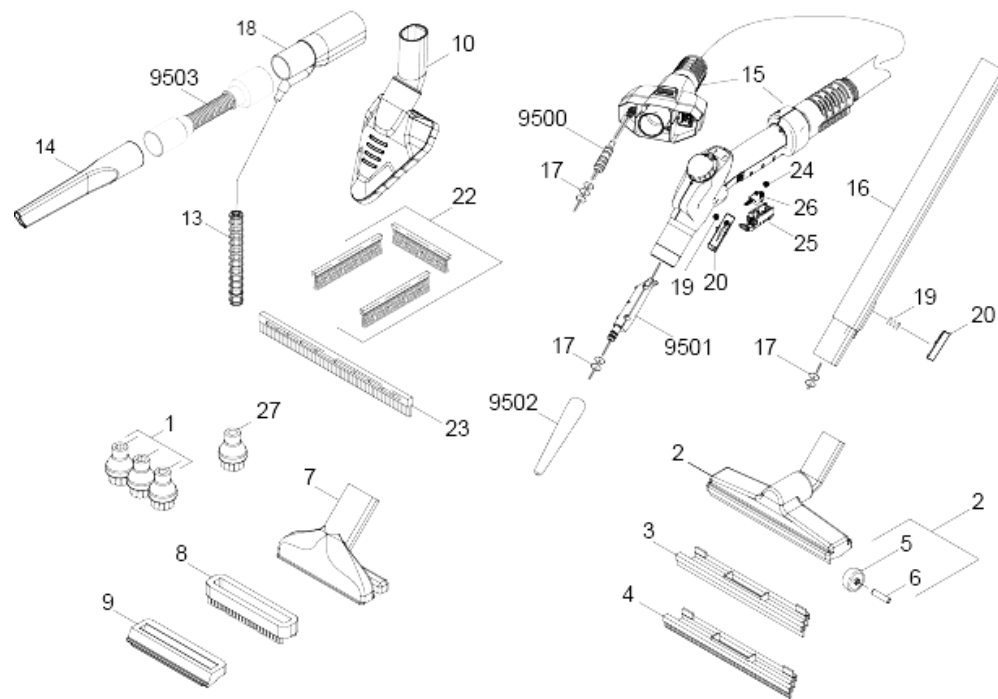
5 Cover cleaning agents replacement (4.063-003.0)

POS	Article no.	Description	Quantity	Unit
6	6.366-064.0	Round cord seal	1.000	ST
7	4.033-749.0	Fuel tank filler cap replacement	1.000	ST
8	5.409-650.0	Nipple connection box	1.000	ST
17	6.414-896.0	Ventilating valve	1.000	ST



7 Fuel tank filler cap replacement (4.033-749.0)

POS	Article no.	Description	Quantity	Unit
30	6.414-896.0	Ventilating valve	1.000	ST



999 Accessories

POS	Article no.	Description	Quantity	Unit	Foot note text
1	2.863-011.0	Set round brush	1.000	ST	
2	2.889-005.0	Floor tool 300mm	1.000	ST	
3	2.889-007.0	Rubber strip 300mm	1.000	ST	
4	2.889-006.0	Brush strip 300mm	1.000	ST	
5	6.435-028.0	Roller only for replacement	2.000	ST	
6	6.437-006.0	Axle	2.000	ST	
7	2.889-008.0	Hand nozzle 150mm	1.000	ST	
8	2.889-009.0	Brush strip 150mm	1.000	ST	
9	2.889-010.0	Rubber strip 150mm	1.000	ST	
10	2.889-053.0	Triangle nozzle complete packaged	1.000	ST	OPTION
13	2.889-052.0	Extension adapter	1.000	ST	
14	2.889-028.0	Crevice nozzle 200mm	1.000	ST	
15	4.440-009.0	Suction hose complete	1.000	ST	
16	2.889-058.0	Extension pipe	2.000	ST	
17	2.889-056.0	O-Ring seal	9.000	ST	
18	2.889-011.0	Adapter	1.000	ST	
19	6.962-020.0	Spring	2.000	ST	
20	6.962-008.0	Locking hook	2.000	ST	
22	2.863-017.0	Set brush Triangle nozzle	1.000	ST	
23	2.889-057.0	Rubber strip Triangle nozzle replacement	1.000	ST	
24	6.962-021.0	Spring	1.000	ST	
25	6.962-023.0	Take-off locking part	1.000	ST	
26	4.820-011.0	Cable harness SGV - Microschalter mit Mi	1.000	ST	
27	6.907-588.0	Round brush green Pekalon	1.000	ST	
27	6.907-590.0	Round brush red Pekalon	1.000	ST	
27	6.907-589.0	Round brush yellow Pekalon	1.000	ST	
27	6.907-541.0	Round brush brass	1.000	ST	
27	6.907-539.0	Round brush stainless steel	1.000	ST	
27	6.907-540.0	Round brush Pekalon	1.000	ST	
27	6.907-587.0	Round brush blue Pekalon	1.000	ST	
9500	6.389-049.0	Nipple brass	1.000	ST	
9501	6.389-053.0	Nipple brass complete	1.000	ST	
9502	5.013-375.0	Assembly aid joint ring KS	1.000	ST	

999 Accessories

POS	Article no.	Description	Quantity	Unit	Foot note text
9503	2.889-127.0	Extraction hose packaged 1m	1.000	ST	