



Spare parts list
(1.629-550.0) WD 2.200 *EU-I

Table of contents

| | |
|--|----|
| WD 2.200 *EU-I (1.629-550.0) | 3 |
| Spare parts list WD 2.200 (5.971-116.0) | 4 |
| 10 Appliance individual parts | 5 |
| 8 Vacuum motor complete for replacement Cu (4.490-000.0) | 8 |
| 20 Tank | 10 |
| 30 Accessories | 12 |
| 4 Floor tool complete (2.862-141.0) | 14 |

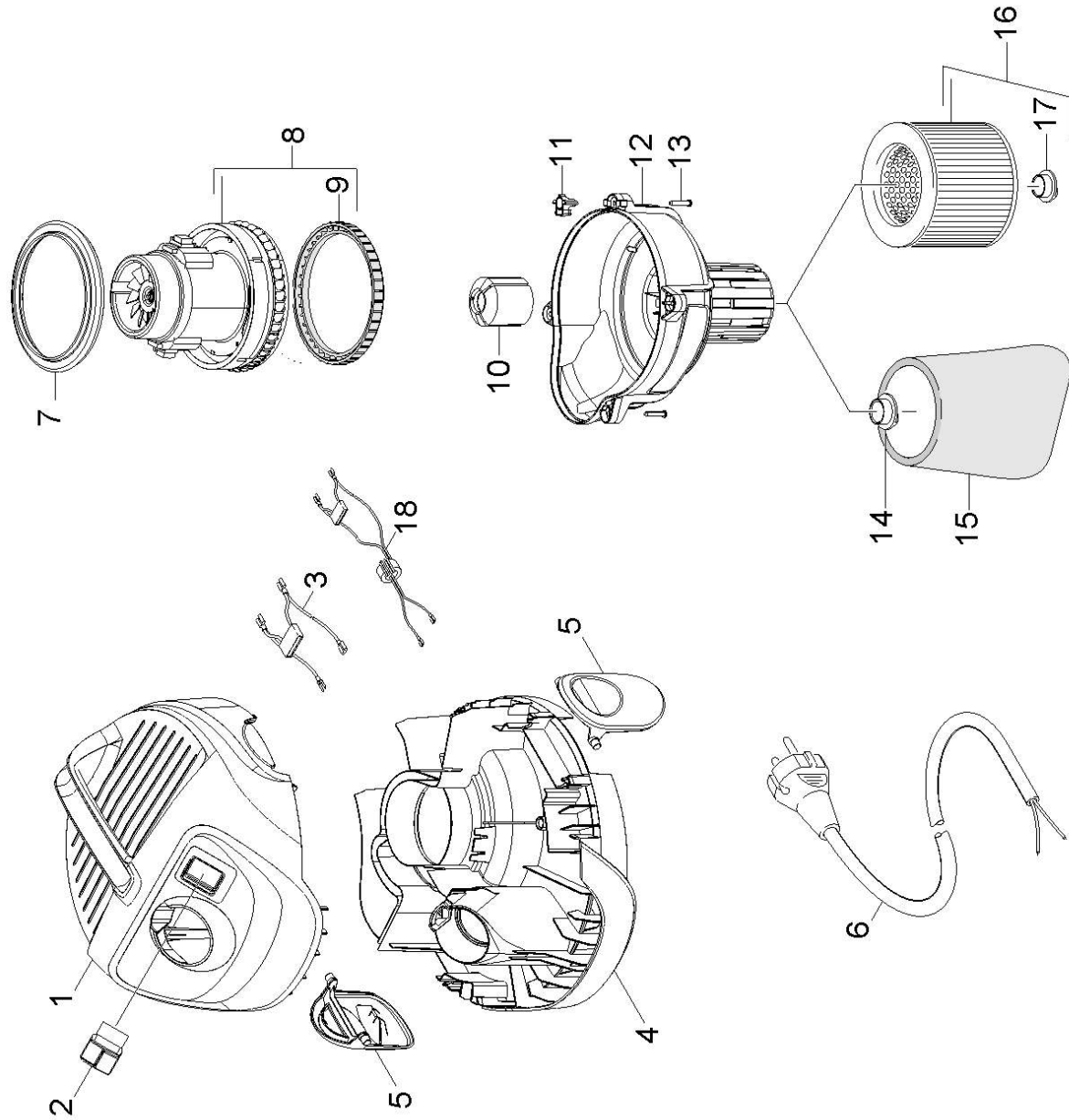
WD 2.200 *EU-I (1.629-550.0)

| POS | Article no. | Description | Quantity | Unit |
|----------------------|-------------|---------------------------|----------|------|
| 0 | 5.971-116.0 | Spare parts list WD 2.200 | 1 | PC |
| Item text2: 12931010 | | | | |

Spare parts list WD 2.200 (5.971-116.0)

| POS | Description | Quantity | Unit |
|-----|----------------------------|----------|------|
| 30 | Accessories | 1 | PC |
| 10 | Appliance individual parts | 1 | PC |
| 20 | Tank | 1 | PC |

10 Appliance individual parts

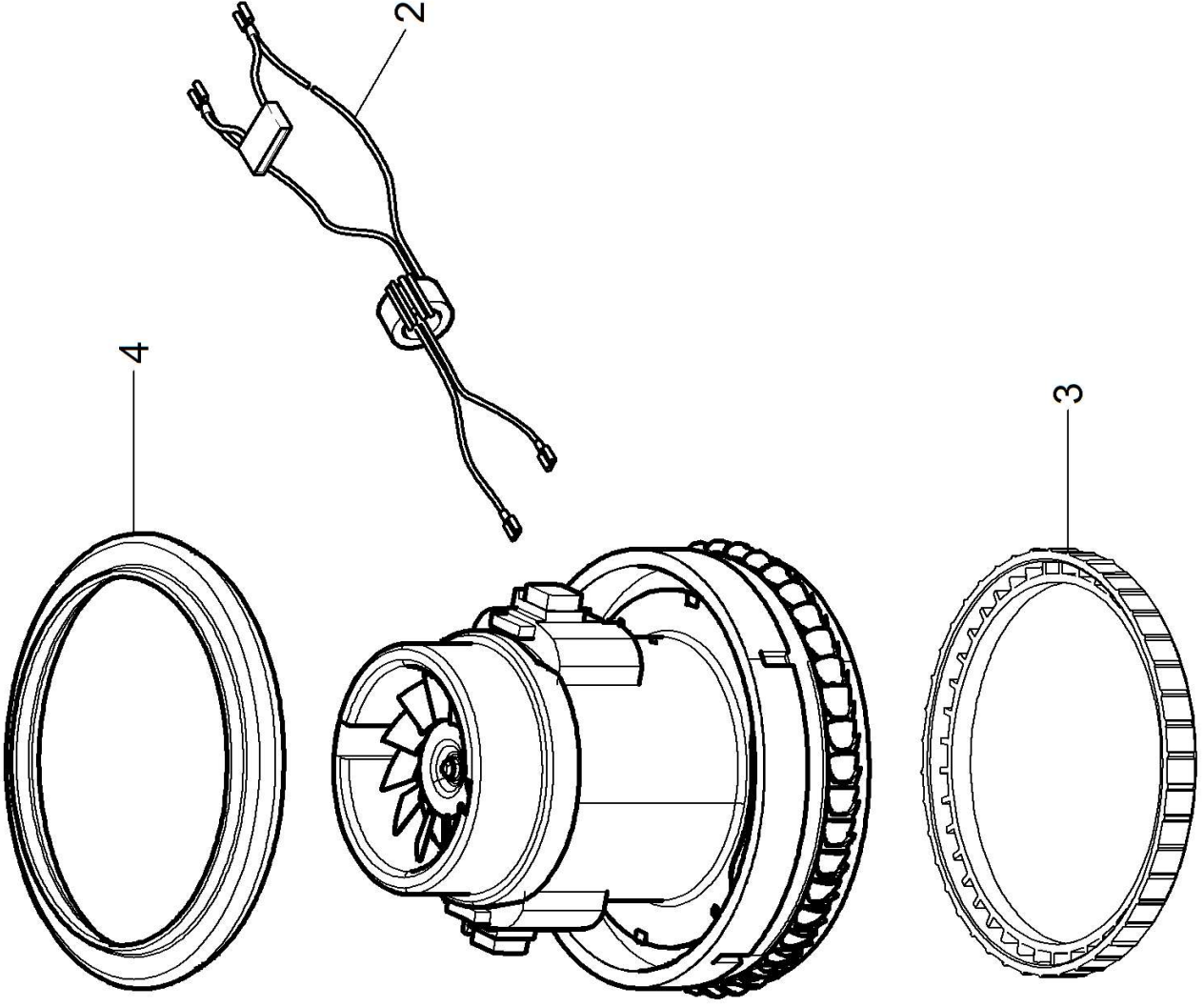


10 Appliance individual parts

| POS | Article no. | Description | Quantity | Unit | Remark |
|-----|--|--|----------|------|--------|
| 9 | 5.365-324.0 | Bearing motor height compensation | 1 | PC | |
| | Item text1: 1.629-550.0 / -551.0 / -552.0 / -553.0 | | | | |
| | Item text2: / -554.0 / -556.0 / -557.0 / -558.0 | | | | |
| 9 | 5.731-657.0 | Bearing turbine new CER | 1 | PC | |
| | Item text1: 1.629-555.0 | | | | |
| 3 | 4.649-109.0 | Cable with capacitor 100/120V | 1 | PC | |
| | Item text1: 1.629-555.0 | | | | |
| 3 | 6.650-121.0 | Cable with capacitor DNA | 1 | PC | |
| | Item text1: 1.629-554.0 | | | | |
| 6 | 6.649-148.0 | Cable with plug *AU | 1 | PC | *AU |
| 6 | 6.651-973.3 | Cable with plug *CH - 4,5m (H05 VV-F 2x0 | 1 | PC | *GB |
| 6 | 6.647-996.0 | Cable with plug *EU Cable with plug | 1 | PC | *EU |
| 6 | 6.650-092.0 | Cable with plug H05 VV-F 2x0,75 *CH | 1 | PC | *CH |
| 16 | 2.863-303.0 | Cartridge filter WD/SE | 1 | PC | |
| 5 | 5.075-033.0 | Closure | 2 | PC | |
| 17 | 4.075-012.0 | Closure complete | 1 | PC | |
| 14 | 9.036-691.0 | Covering cap | 1 | PC | |
| 1 | 5.069-312.0 | Cover neutrally WD 2 / WD 2.XXX | 1 | PC | |
| 15 | 5.731-595.0 | Filter | 1 | PC | |
| 12 | 5.731-647.0 | Filtering basket | 1 | PC | |
| 10 | 5.628-013.3 | Floater | 1 | PC | |
| 4 | 5.053-184.0 | Motor bracket | 1 | PC | |
| 11 | 5.034-734.0 | Retaining bracket | 1 | PC | |
| | Item text1: 1.629-550.0 / -551.0 / -552.0 / -553.0 | | | | |
| | Item text2: / -554.0 / -556.0 / -557.0 / -558.0 | | | | |
| 11 | 5.034-736.0 | Retaining bracket cable | 1 | PC | |
| | Item text1: 1.629-555.0 | | | | |
| 13 | 6.303-150.0 | Screw 4,2x 22 | 4 | PC | |
| 7 | 9.079-024.0 | Seal motor above | 1 | PC | |
| 3 | 2.884-135.0 | Spare part set cable | 1 | PC | |
| | Item text1: 1.629-551.0 / -552.0 / -553.0 / -554.0 | | | | |
| | Item text2: / -556.0 / -557.0 / -558.0 | | | | |
| 6 | 7.777-999.0 | Stockpiling discontinued | 1 | PC | *CN |

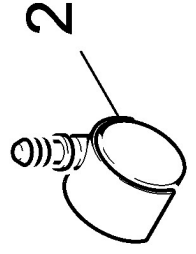
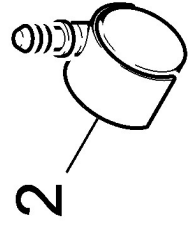
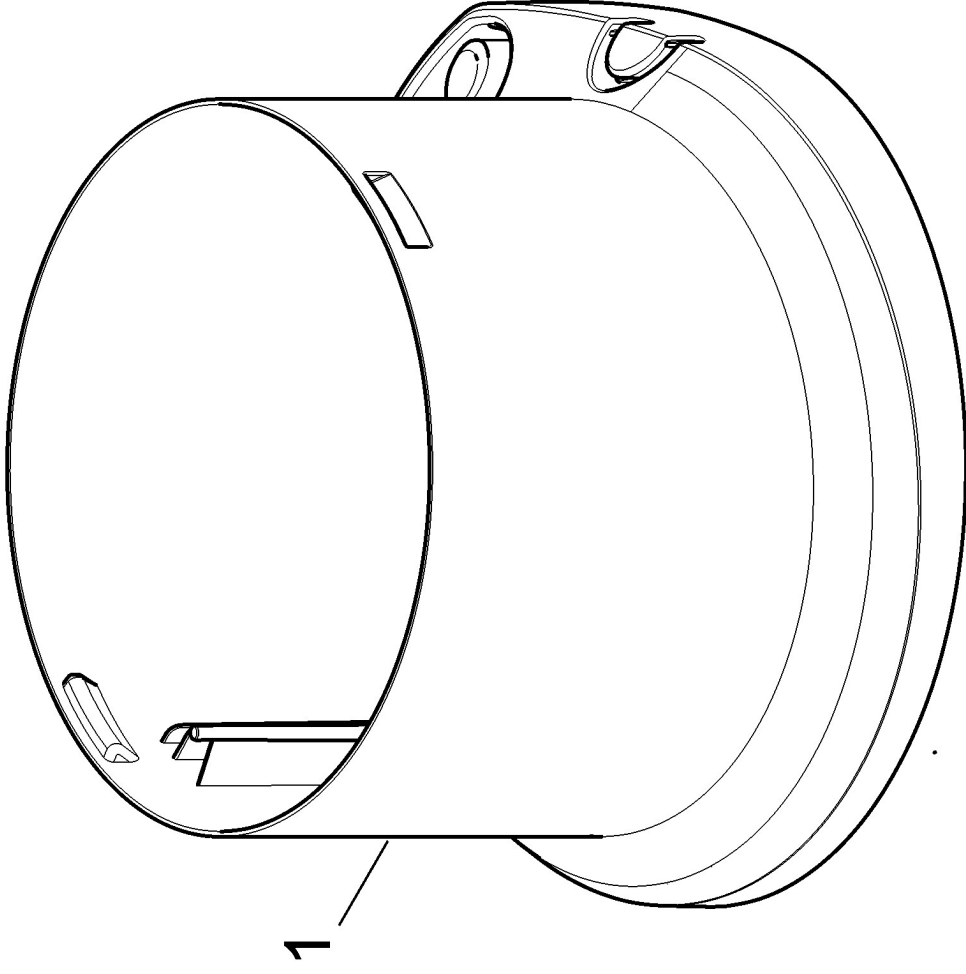
10 Appliance individual parts

| POS | Article no. | Description | Quantity | Unit | Remark |
|-----|---|---|----------|------|--------------------------|
| 6 | 7.777-999.0 | Stockpiling discontinued | 1 | PC | *JP |
| 18 | 7.777-999.0 | Stockpiling discontinued | 1 | PC | |
| | Item text1: 1.629-550.0 | | | | |
| 2 | 6.630-087.3 | Switch | 1 | PC | |
| 8 | 4.490-266.0 | Vacuum motor complete for replacement 10 | 1 | PC | |
| | Item text1: 1.629-550.0 / -551.0 / -552.0 | | | | |
| | Item text2: / -554.0 / -557.0 / -558.0 | | | | |
| 8 | 4.490-268.0 | Vacuum motor complete for replacement 10 | 1 | PC | |
| | Item text1: 1.629-554.0 | | | | |
| 8 | 4.490-265.0 | Vacuum motor complete for replacement 1000W | 1 | PC | |
| | Item text1: 1.629-555.0 | | | | |
| 8 | 4.490-000.0 | Vacuum motor complete for replacement Cu | 1 | PC | 1.629-553.0, 1.629-556.0 |



8 Vacuum motor complete for replacement Cu (4.490-000.0)

| POS | Article no. | Description | Quantity | Unit |
|-----|-------------|-----------------------------------|----------|------|
| 3 | 5.365-324.0 | Bearing motor height compensation | 1 | PC |
| 2 | 4.649-087.0 | Cable ferrite ring complete DNA | 1 | PC |
| 4 | 9.079-024.0 | Seal motor above | 1 | PC |



20 Tank

| POS | Article no. | Description | Quantity | Unit |
|-----|-------------|-------------|----------|------|
| 2 | 6.435-353.0 | Castor D 42 | 4 | PC |
| 1 | 5.070-667.0 | Tank | 1 | PC |



30 Accessories

| POS | Article no. | Description | Quantity | Unit |
|-----|-------------|---------------------------------|----------|------|
| 7 | 2.863-316.0 | Car nozzle | 1 | PC |
| 2 | 6.900-385.0 | Crevice nozzle DN35 | 1 | PC |
| 3 | 2.863-308.0 | Extension suction tube WD ID 35 | 2 | PC |
| 6 | 6.904-322.0 | Filter bag WD 2 5St. | 1 | PC |
| 4 | 2.862-141.0 | Floor tool complete | 1 | PC |
| 8 | 2.863-221.0 | Suction brush kit WD 2pc. | 1 | PC |
| 1 | 9.012-109.0 | Suction hose complete DN35x2 | 1 | PC |

4 Floor tool complete (2.862-141.0)

| POS | Article no. | Description | Quantity | Unit |
|-----|-------------|-----------------------|----------|------|
| 10 | 9.036-892.0 | Mixing insert wet-dry | 1 | PC |