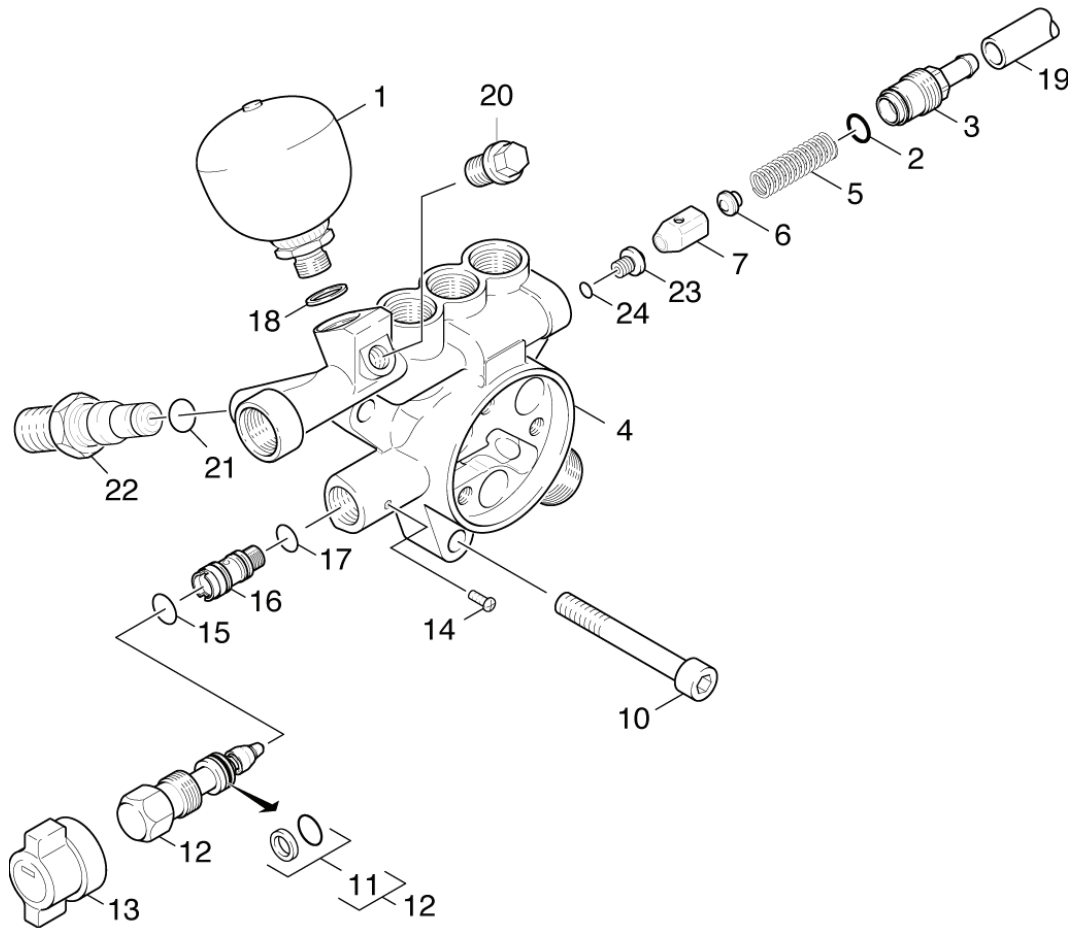


## 25 Cylinder head

Professional \ High pressure cleaner hotwater \ Electric motor \ HDS 790 Cl \*VEX \ Spare parts list HDS 790 Cl \*EUR \ Pump set \ Cylinder head

**KÄRCHER**



## 25 Cylinder head

Professional \ High pressure cleaner hotwater \ Electric motor \ HDS 790 Cl \*VEX \ Spare parts list HDS 790 Cl \*EUR \ Pump set \ Cylinder head



POS	Article no.	Description	Quantity	Unit	Foot note text
4	4.550-366.0	Cylinder head complete only for replacem	1.000	ST	
10	7.306-125.0	Cylinder head screw M10x70-8.8-A3E ISO4	3.000	ST	
22	5.409-272.0	Double nipple	1.000	ST	
13	5.321-263.0	Handhold	1.000	ST	
5	5.332-140.0	Helical spring	1.000	ST	
19	6.388-167.0	Hose DN15	1.000	M	TO ORDER AS CUT GOODS
18	7.362-005.0	Joint ring A14x18 -Cu DIN 7603	1.000	ST	
21	6.362-151.0	O-Ring d. 10 x 2 NBR 70	1.000	ST	
24	6.362-703.0	O-Ring seal 6,0x1,5-NBR 70	1.000	ST	
17	6.362-482.0	O-Ring seal 10 x 1,5-NBR 70	1.000	ST	
15	6.362-402.0	O-Ring seal 11,0 X 1,3-NBR 70	1.000	ST	
2	6.362-169.0	O-Ring seal 12,0 X 2,0	1.000	ST	
11	6.362-575.0	O-Ring seal 12,42 KOMPL	1.000	ST	
14	7.306-323.0	Pan head screw M4x6 -CU2 ISO 7045-H	1.000	ST	
1	6.505-025.0	Pressure accumulator	1.000	ST	
100	2.883-855.0	PUMP SET	1.000	ST	
20	7.382-274.0	Screw plug R1/8"-CuZn DIN 909	1.000	ST	
16	5.110-384.0	Sleeve	1.000	ST	
12	4.291-009.0	Spindle	1.000	ST	
7	4.582-019.0	Valve disc complete	1.000	ST	
6	5.584-060.0	Valve pin	1.000	ST	
3	5.583-130.0	Valve screw	1.000	ST	
23	5.581-231.0	Valve seat	1.000	ST	