

Spare parts list

(1.347-401.0) A 2801 PLUS *EU

Table of contents

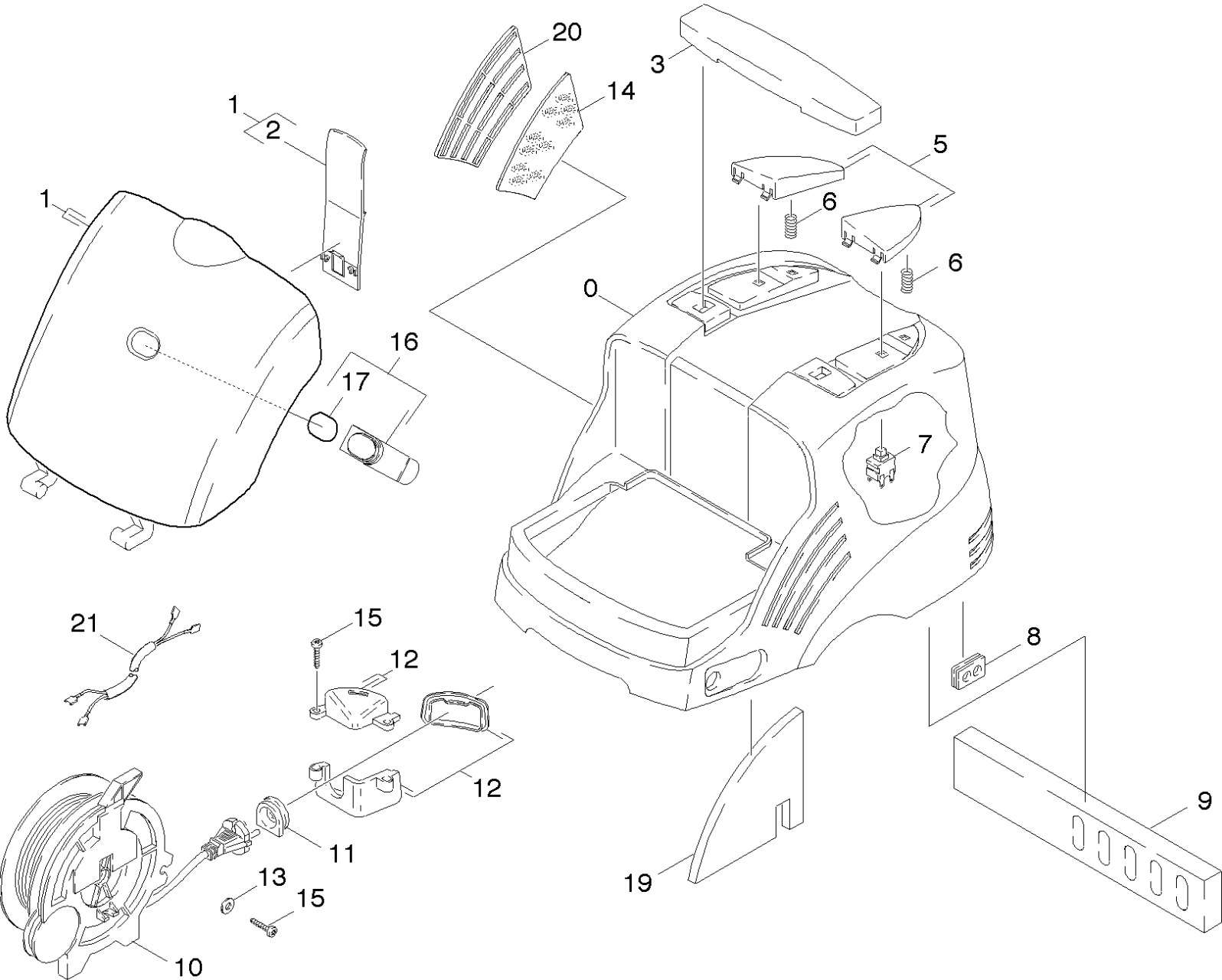
A 2801 PLUS *EU (1.347-401.0)	3
Spare parts list K 2801 / A 2801 (5.958-831.0)	4
10 Top part	5
20 Bottom part	7
30 Turbine	9
10 SET VERSCHLUSS (2.884-295.0)	11
40 Float	12
50 Accessories	14

A 2801 PLUS *EU (1.347-401.0)

POS	Article no.	Description	Quantity	Unit
0	5.958-831.0	Spare parts list K 2801 / A 2801	1.000	ST
	Item text2: 13474010			

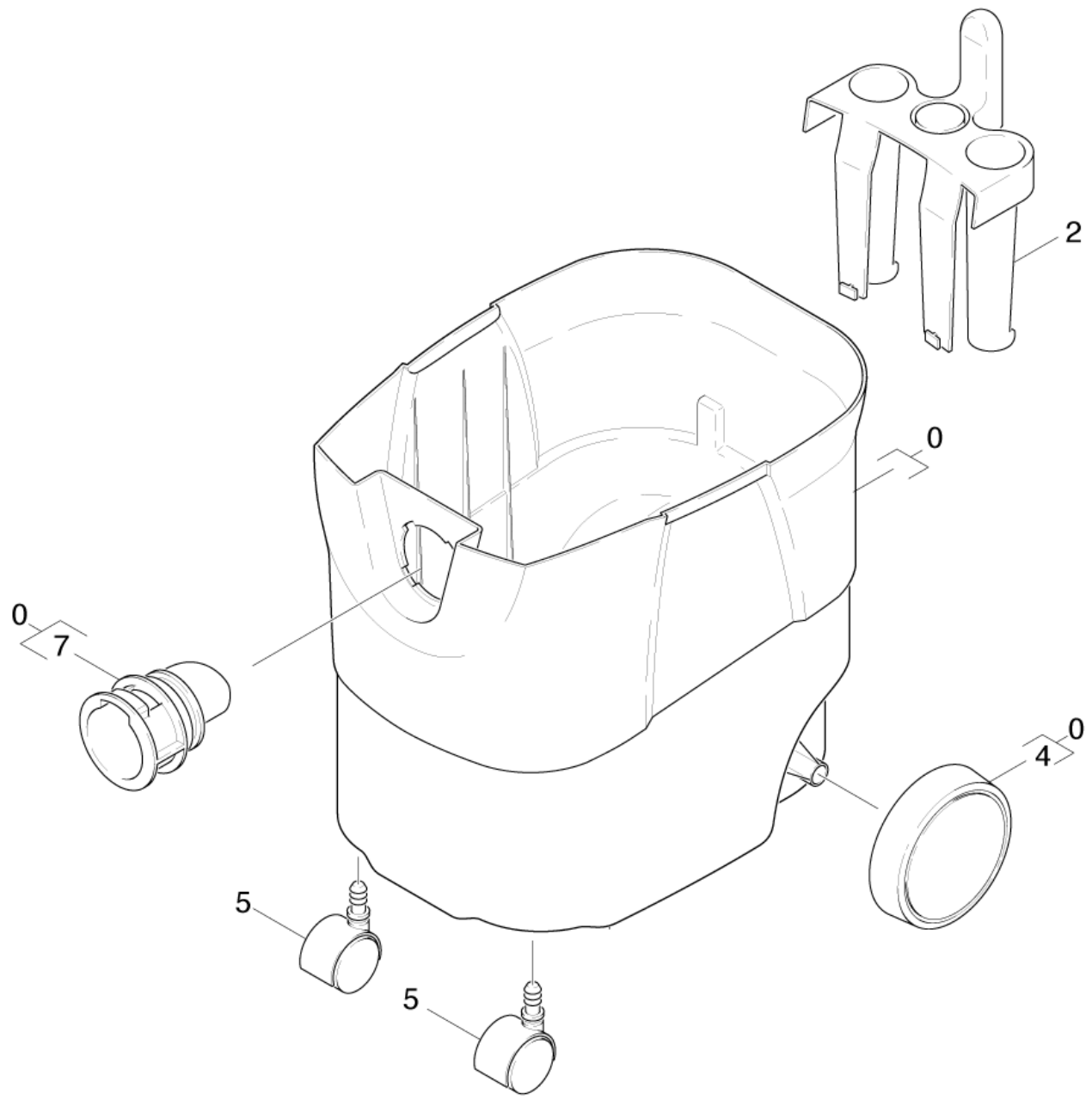
Spare parts list K 2801 / A 2801 (5.958-831.0)

POS	Description	Quantity	Unit
50	Accessories	1.000	ST
20	Bottom part	1.000	ST
40	Float	1.000	ST
10	Top part	1.000	ST
30	Turbine	1.000	ST



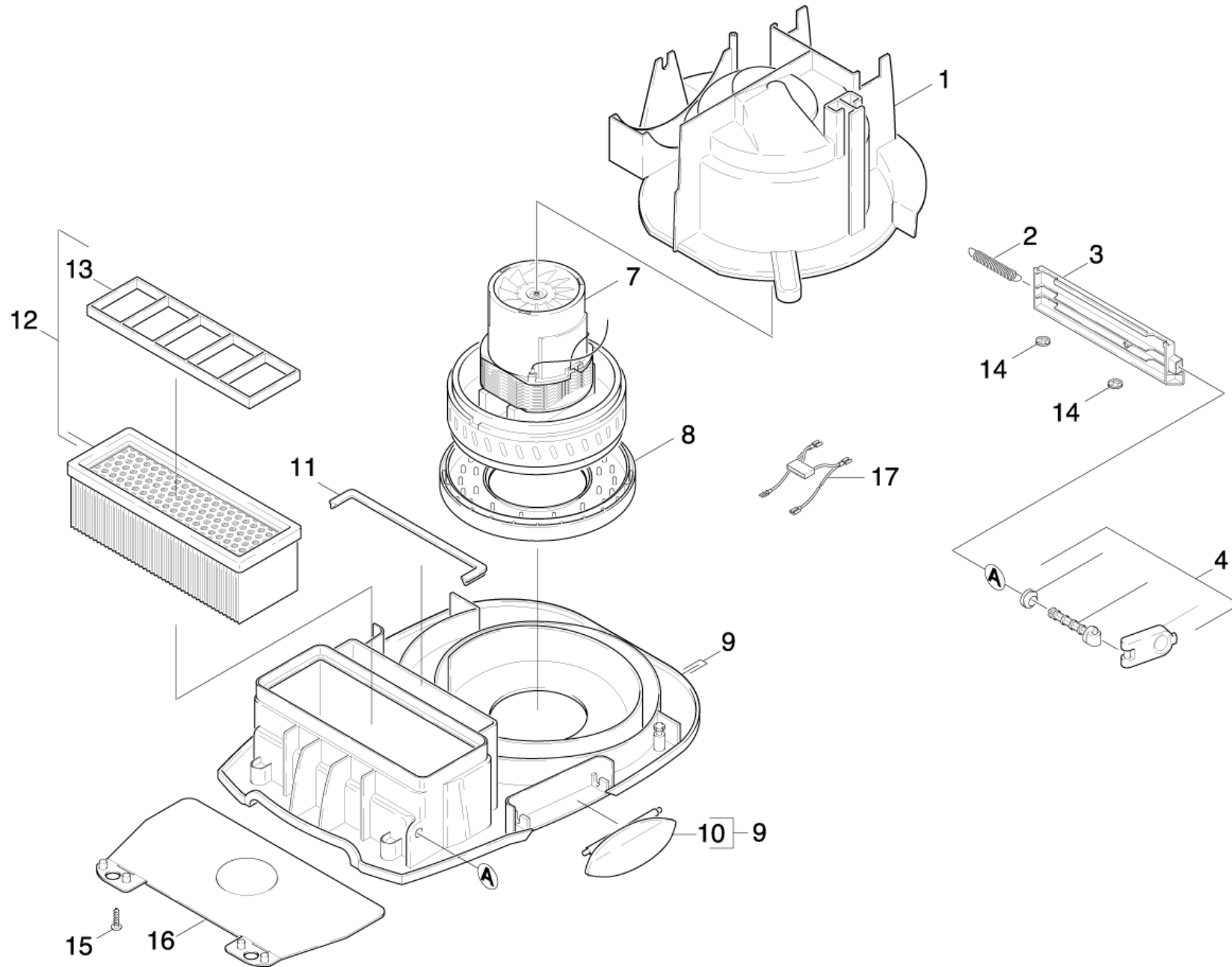
10 Top part

POS	Article no.	Description	Quantity	Unit	Serial number from	Serial number to	Foot note text
8	9.048-055.0	Cable gland	1.000	ST			
11	9.048-043.0	Cable gland	1.000	ST			
12	2.884-293.0	Cable routing complete black	1.000	ST	200000		YELLOW
12	2.884-293.0	Cable routing complete black	1.000	ST		199999	GREY
21	9.084-094.0	Cable set	1.000	ST			
10	9.011-559.0	Cable take-up stand	1.000	ST			
	Item text1: / 1.347-302.0 / -402.0						
10	9.011-447.0	Cable up scooter 2x1	1.000	ST			
	Item text1: / 1.347-301.0 / -401.0						
2	9.036-904.0	Closure	1.000	ST			
1	9.001-259.0	Cover filter	1.000	ST			
	Item text1: / 9.036-904.0						
16	9.001-254.0	Filter pilot complete	1.000	ST			
19	9.086-517.0	Filter PPI	1.000	ST			
9	9.086-515.0	Filter PPI	1.000	ST			
20	9.036-658.0	Flap filter	1.000	ST		199999	GREY
20	9.036-919.0	Flap filter	1.000	ST	200000		YELLOW
3	9.036-909.0	Handhold	1.000	ST			
6	9.047-040.0	Helical spring	2.000	ST			
0	9.036-916.0	Housing	1.000	ST			YELLOW
14	9.086-522.0	Micro filter K 2801	1.000	ST			
17	6.959-211.0	O-Ring seal 22 x 1,8	1.000	ST			
5	2.884-291.0	Pushbutton complete	1.000	ST			
15	9.086-183.0	Screw 4x16	3.000	ST			
0	7.777-999.0	Stockpiling discontinued	1.000	ST			GREY
10	7.777-999.0	Stockpiling discontinued	1.000	ST			
	Item text1: / 1.347-304.0 / -404.0						
7	6.630-437.0	Switch on/off	1.000	ST			
13	7.312-001.0	Washer 4 -200HV-A3E ISO 7089	1.000	ST			



20 Bottom part

POS	Article no.	Description	Quantity	Unit
5	9.036-479.0	Castor D50	2.000	ST
7	9.036-905.0	Connecting nipple	1.000	ST
2	9.036-912.0	Holder accessories	1.000	ST
0	9.001-242.0	Tank complete A2801	1.000	ST
4	9.036-470.0	Wheel	2.000	ST

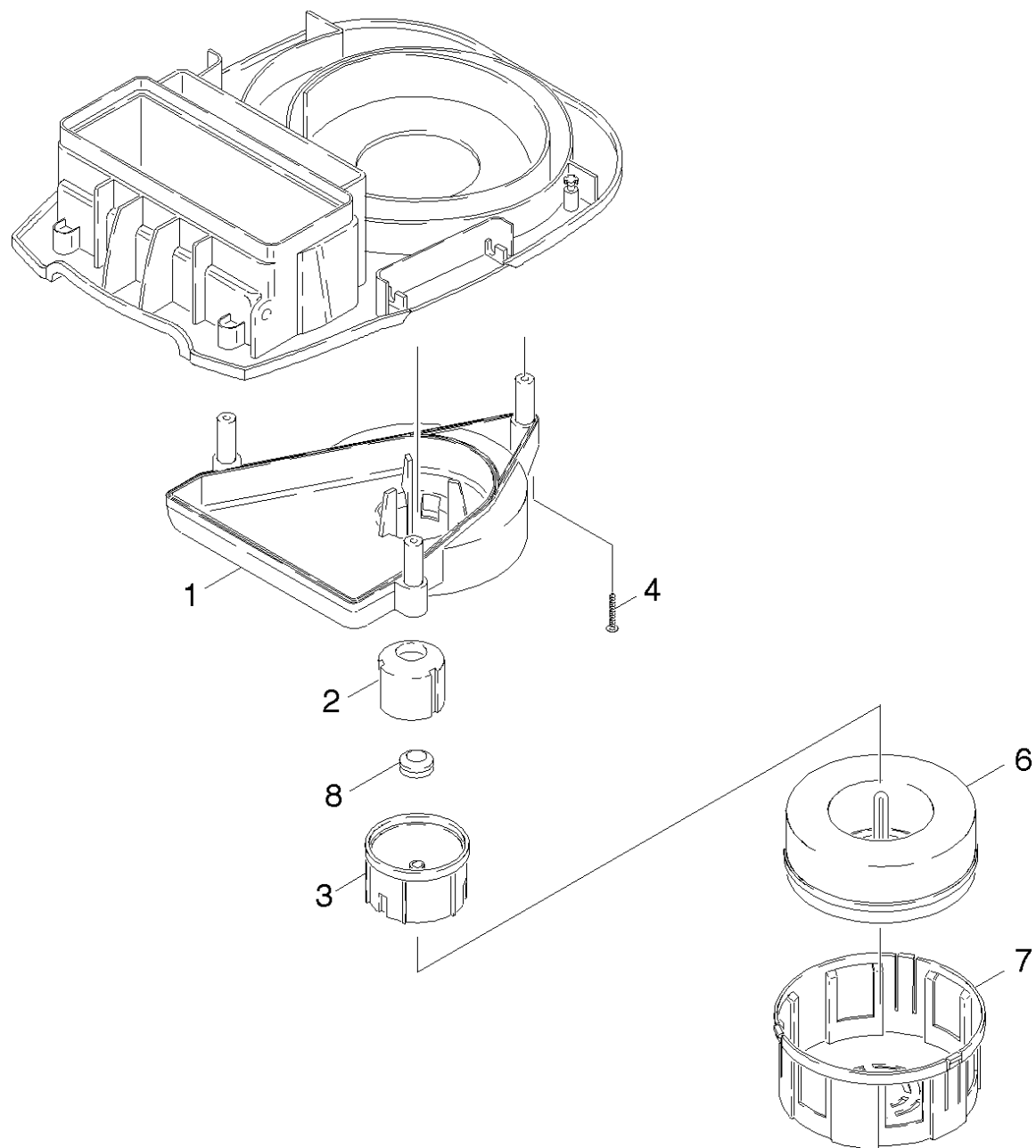


30 Turbine

POS	Article no.	Description	Quantity	Unit
16	9.036-632.0	Baffle plate	1.000	ST
17	9.084-069.0	Cable	1.000	ST
2	9.047-042.0	Extension spring	1.000	ST
13	9.036-497.0	Filter frame	1.000	ST
4	9.011-797.0	Filter vibrator	1.000	ST
1	9.036-614.0	Motor housing	1.000	ST
3	9.036-475.0	Moulded part	1.000	ST
11	9.048-042.0	Profile gasket	1.000	ST
8	5.365-226.0	Profile gasket	1.000	ST
14	6.343-169.0	Quick-fastener	2.000	ST
15	6.303-223.0	Screw 4,2X22	1.000	ST
12	6.414-498.0	Set flat-pleated filter	1.000	ST
10	2.884-295.0	SET VERSCHLUSS	1.000	ST
9	2.884-294.0	Spare parts set motor bracket black	1.000	ST
7	6.490-106.0	Vacuum motor 230V	1.000	ST
	Item text1: / 1.347-301.0 / -302.0 / -401.0			
	Item text2: / -402.0			
7	6.490-107.0	Vacuum motor 240V	1.000	ST
	Item text1: / 1.347-303.0 / -304.0 / -403.0			
	Item text2: / -404.0			

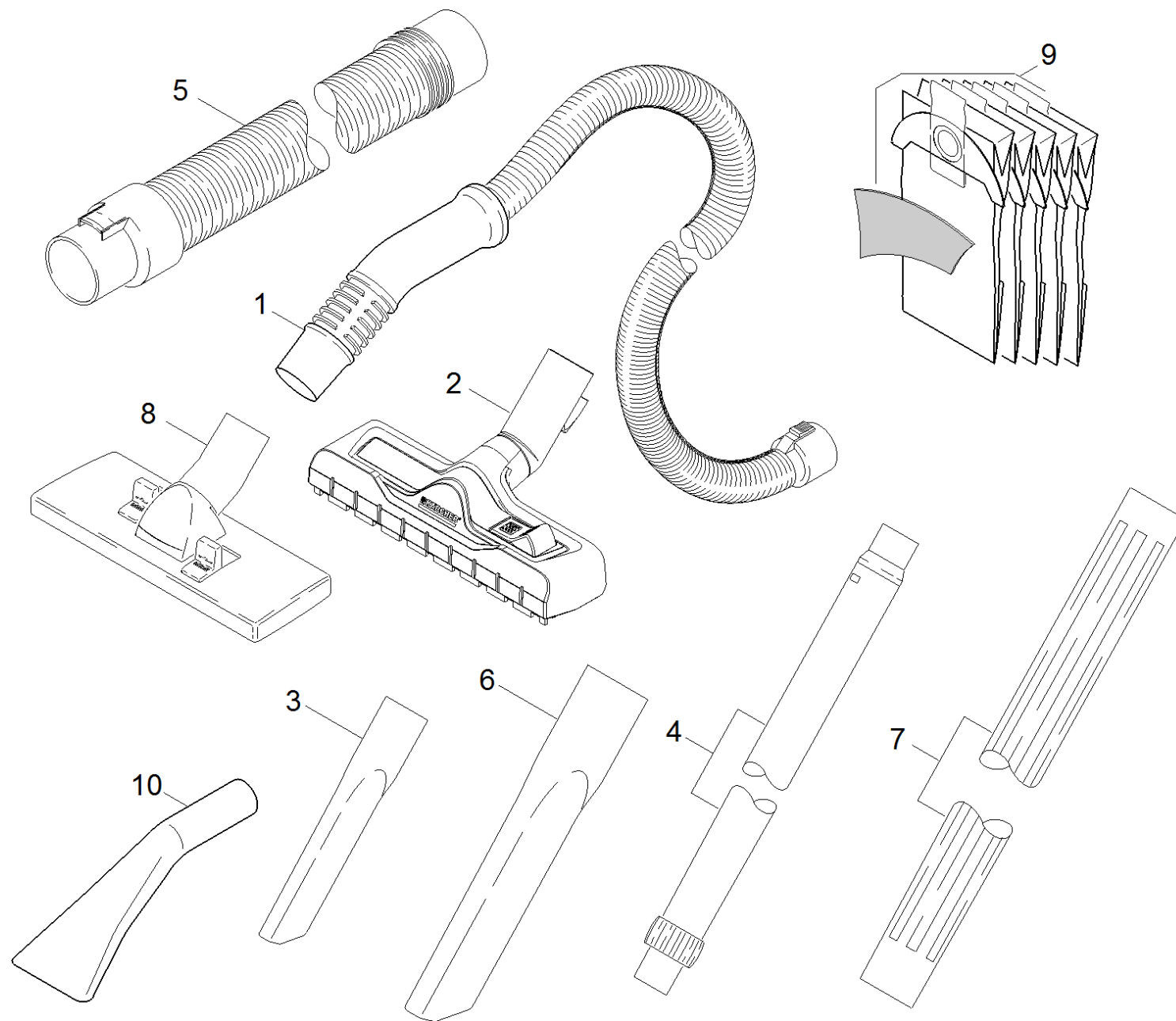
10 SET VERSCHLUSS (2.884-295.0)

POS	Article no.	Description	Quantity	Unit
10	9.036-911.0	Closure black A2701/A2801	2.000	ST



40 Float

POS	Article no.	Description	Quantity	Unit
3	9.036-514.0	Cap closure	1.000	ST
1	9.036-615.0	Covering cap	1.000	ST
7	9.036-509.0	Covering cap float	1.000	ST
6	9.036-513.0	Float	1.000	ST
2	9.036-515.0	Float	1.000	ST
8	9.048-065.0	Ring S 6	1.000	ST
4	6.303-223.0	Screw 4,2X22	3.000	ST



50 Accessories

POS	Article no.	Description	Quantity	Unit
10	2.863-145.0	Car nozzle packaged	1.000	ST
	Item text1: / 1.347-401.0			
8	6.906-511.0	Combination nozzle DN35	1.000	ST
	Item text1: / 1.347-401.0 / -402.0 / -403.0 / -404.0			
3	6.900-385.0	Crevice nozzle DN35	1.000	ST
6	6.903-234.0	Crevice nozzle DN60	1.000	ST
	Item text1: / 1.347-401.0 / -402.0 / -404.0			
9	6.904-263.0	Filter bags 5St.	1.000	ZSA
2	2.863-000.0	Floor tool switchable packaged	1.000	ST
1	9.012-004.0	Suction hose DN35x2	1.000	ST
5	9.011-441.0	Suction hose DN60x2	1.000	ST
	Item text1: / 1.347-401.0 / -402.0 / -404.0			
7	6.902-042.0	Suction tube DN 60	1.000	ST
	Item text1: / 1.347-401.0 / -402.0 / -404.0			
4	2.862-125.0	Telescopic tube	1.000	ST