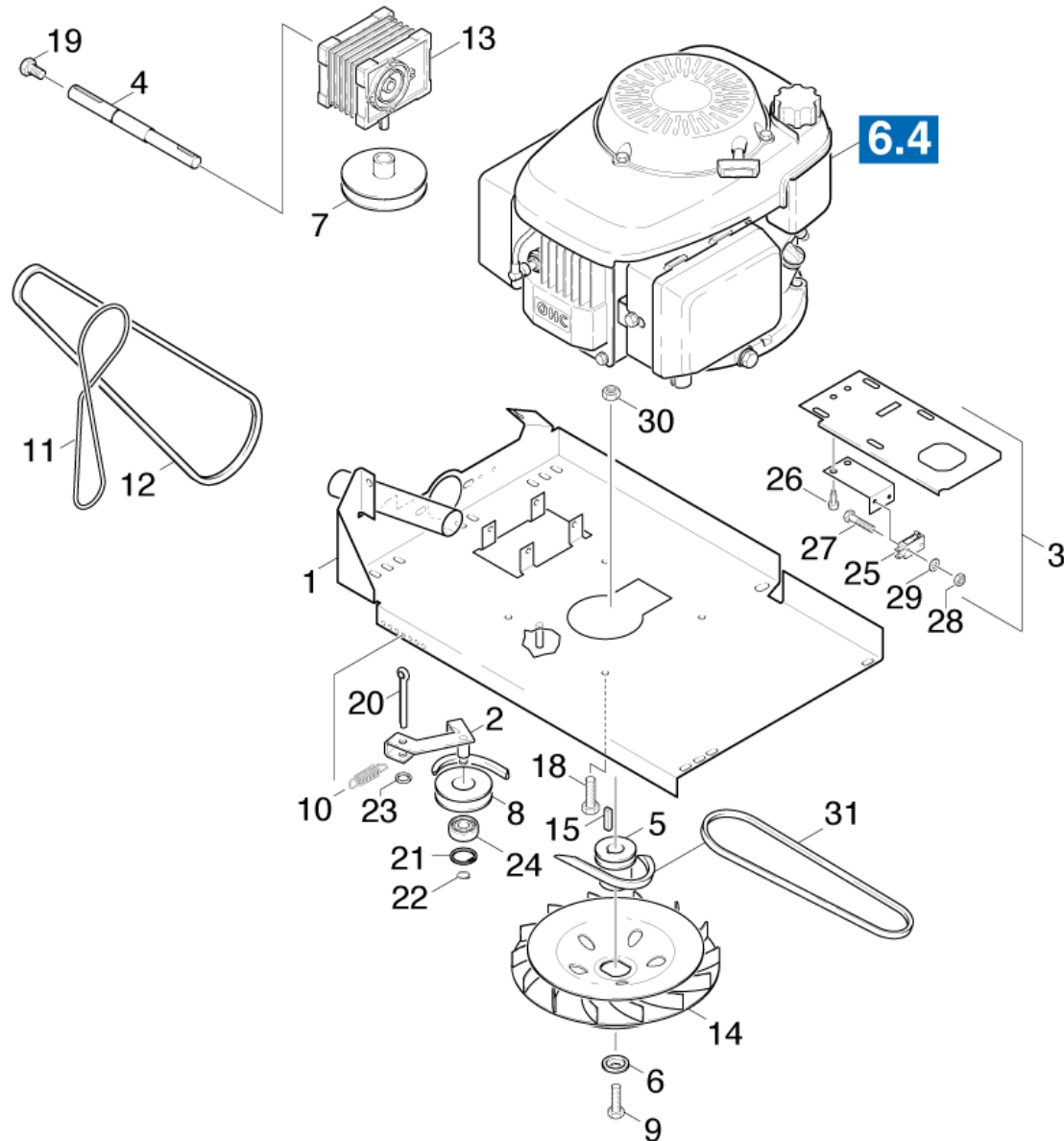


63 Motor mounting 4.5 HP

Professional \ Sweepers \ Combustion engine \ KSM 750 B \ Spare parts list KSM 750 B-HONDA \ Motor \ Motor mounting 4.5 HP



63 Motor mounting 4.5 HP

Professional \ Sweepers \ Combustion engine \ KSM 750 B \ Spare parts list KSM 750 B-HONDA \ Motor \ Motor mounting 4.5 HP

KÄRCHER

| POS | Article no. | Description | Quantity | Unit |
|-----|-------------|--|----------|------|
| 1 | 4.038-950.0 | Sheet metal component Motortraeger KSM 7 | 1.000 | ST |
| 2 | 4.622-011.0 | Belt stretcher complete KSM 750 HONDA | 1.000 | ST |
| 3 | 5.048-828.0 | Sheet metal component | 1.000 | ST |
| 4 | 5.100-311.0 | Shaft | 1.000 | ST |
| 5 | 5.100-344.0 | Shaft motor -KSM 750 B HONDA | 1.000 | ST |
| 6 | 5.110-817.0 | Sleeve blower wheel 750 HONDA | 1.000 | ST |
| 7 | 5.625-366.0 | Belt pulley transmission gear | 1.000 | ST |
| 8 | 5.625-375.0 | Belt pulley belt stretcher 750 HO | 1.000 | ST |
| 9 | 6.303-313.0 | Screw 3/8"-24UNF | 1.000 | ST |
| 10 | 6.330-173.0 | Extension spring | 1.000 | ST |
| 11 | 6.348-283.0 | Round belt D10 | 1.000 | ST |
| 12 | 6.348-370.0 | V-Belt Z/10 | 1.000 | ST |
| 13 | 6.454-098.0 | Worm gearing | 1.000 | ST |
| 14 | 6.484-326.0 | Blower wheel D=222mm | 1.000 | ST |
| 15 | 6.491-207.0 | Parallel key | 1.000 | ST |
| 18 | 7.304-406.0 | Hexagonal head screw M 8x35-8.8-A2E IS | 1.000 | ST |
| 19 | 7.306-077.0 | Screw M5x16 -8.8-R2R (In6Rd) | 1.000 | ST |
| 20 | 7.316-342.0 | Cotter 3,2x20 -St-A2E ISO 1234 | 1.000 | ST |
| 21 | 7.343-105.0 | Locking ring 22x1-FST-PHR DIN 472 | 1.000 | ST |
| 22 | 7.343-127.0 | Locking ring 8x0,8 -Rf-St DIN 471 | 1.000 | ST |
| 23 | 7.343-221.0 | Shim ring 8x14x1-St2K50 DIN 988 | 1.000 | ST |
| 24 | 7.401-149.0 | Ball bearing 608-2RS -Wälzl.St DIN 625 | 1.000 | ST |
| 25 | 6.631-788.0 | Toggle switch | 1.000 | ST |
| 26 | 7.303-030.0 | Screw M4x8 -St-P2R (In6Rd) | 1.000 | ST |
| 27 | 7.306-406.0 | Cylinder head screw M3x16-4.8-A2E ISO 1 | 1.000 | ST |
| 28 | 7.311-000.0 | Hexagon nut M3 -6-A2E ISO 4032 | 1.000 | ST |
| 29 | 7.312-030.0 | Washer 3-CuZn-E2E ISO7089 | 1.000 | ST |
| 30 | 7.311-427.0 | Hexagon nut M8 -04-A2E DIN 985 | 1.000 | ST |
| 31 | 6.348-350.0 | V-Belt | 1.000 | ST |