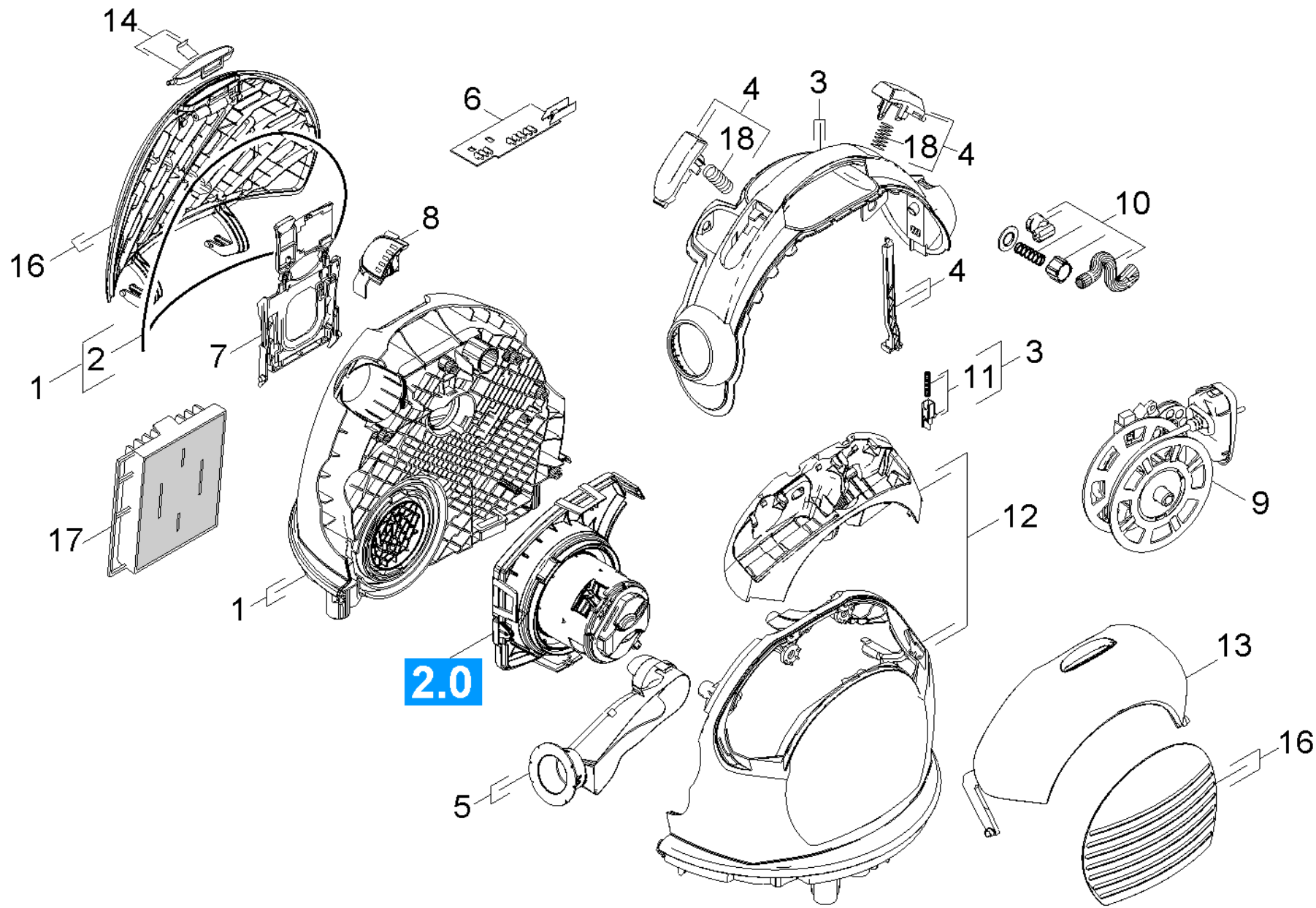


11 Top part

Overview technical documents/Home & Garden/Vacuum cleaner/Dry vacuum cleaner/VC 6300 (1.195-541.0)/Spare parts list VC 6300/10 Individual parts/11 Top part



11 Top part

Overview technical documents/Home & Garden/Vacuum cleaner/Dry vacuum cleaner/VC 6300 (1.195-541.0)/Spare parts list VC 6300/10 Individual parts/11 Top part

Rez.daļas/nodil.pakļ.daļas	Poz.	Materiāla Nr.	Nosaukums	Daudzums	Pārdoš. vienība	no sēr. Nr..	līdz sēr. Nr.	Daž. informācija
	1	4.195-001.0	Housing dust space only for replacement	1.000	ST	0000000000	0000000000	
Pozīcijas teksts: //1.195-541.0/ -542.0 / -543.0 / -545.0/ -546.0 / -548.0								
	1	4.195-031.0	Housing dust space only for replacement	1.000	ST	0000000000	0000000000	
Pozīcijas teksts: //1.195-544.0								
	2	6.273-104.0	Seal cellular rubber /sealing soft tube	1.000	M	0000000000	0000000000	
	3	4.195-006.0	Carrier handle	1.000	ST	0000000000	0000000000	
	4	4.195-007.0	Pushbutton only for replacement	1.000	ST	0000000000	0000000000	
	5	4.195-002.0	Tube complete	1.000	ST	0000000000	0000000000	
	6	6.682-737.0	Vadības sistēma IR	1.000	ST	0000000000	0000000000	
	6		Stockpiling discontinued	1.000	ST			*JP
	7	4.195-109.0	Retainer filter bag complete	1.000	ST	0000000000	0000000000	
	8	5.195-042.0	Screen LED	1.000	ST	0000000000	0000000000	
	9	6.649-276.0	Cable automatic GB	1.000	ST	0000000000	0000000000	/*GB
	9	6.649-110.0	Kabeļu automātika, pilns komplekts	1.000	ST	0000000000	0000000000	/*EU
	9	6.650-087.0	Cable automatic *CH	1.000	ST	0000000000	0000000000	/*CH
	9	6.649-911.0	Cable automatic complete *CN	1.000	ST			*CN
	10	4.195-146.0	Valve cooling air nur fuer Ersatz	1.000	ST	0000000000	0000000000	
	11	4.195-012.0	Snap-fit only for replacement	1.000	ST	0000000000	0000000000	
	12	4.195-032.0	Housing accessories only for replacement	1.000	ST	0000000000	0000000000	
Pozīcijas teksts: //1.195-544.0 / -547.0								
	12	4.195-013.0	Housing accessories only for replacement	1.000	ST	0000000000	0000000000	
Pozīcijas teksts: //1.195-541.0 / -542.0 / -543.0 / -545.0/ -546.0 / -548.0								
	13	5.195-091.0	Piederumu vāks	1.000	ST	0000000000	0000000000	
Pozīcijas teksts: //1.195-541.0 / -542.0 / -543.0 / -545.0/ -546.0 / -548.0								
	13	5.195-071.0	Vāka piederumi	1.000	ST			
Pozīcijas teksts: /1.195-544.0 / -547.0								

11 Top part

Overview technical documents/Home & Garden/Vacuum cleaner/Dry vacuum cleaner/VC 6300 (1.195-541.0)/Spare parts list VC 6300/10 Individual parts/11 Top part

Rez.daļas/nodil.pakļ.daļas	Poz.	Materiāla Nr.	Nosaukums	Daudzums	Pārdoš. vienība	no sēr. Nr.	līdz sēr. Nr.	Daž. informācija
X-X	14	4.195-167.0	Pushbutton complete	1.000	ST			
	16	4.195-033.0	Cover dust space only for replacement	1.000	ST	0000000000	0000000000	
Pozīcijas teksts: //1.195-544.0 / -547.0								
	16	4.195-015.0	Cover dust space only for replacement	1.000	ST	0000000000	0000000000	
Pozīcijas teksts: //1.195-541.0 / -542.0 / -543.0 / -545.0/ -546.0 / -548.0								
X-X	17	6.414-799.0	Motora filtrs, pilns komplekts	1.000	ST	0000000000	0000000000	
	18	6.330-170.0	Pressure spring	2.000	ST			