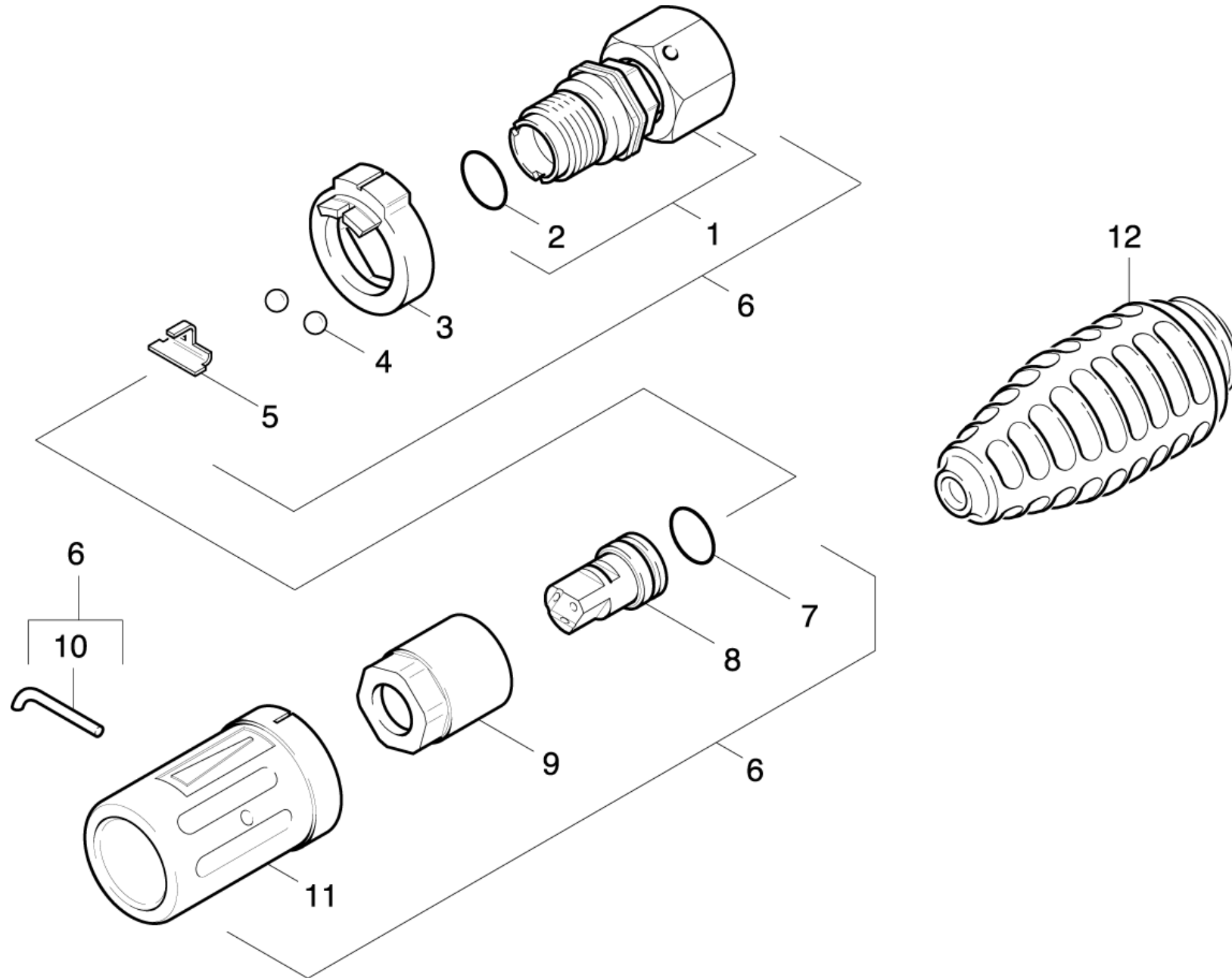


46 Nozzle

Professional \ High pressure cleaner cold water \ Electric motor \ HD 5/12 C *EU \ Spare parts list HD 5/12 C_6/13 C \ Accessories \ Nozzle



46 Nozzle

Professional \ High pressure cleaner cold water \ Electric motor \ HD 5/12 C *EU \ Spare parts list HD 5/12 C_6/13 C \ Accessories \ Nozzle



POS	Article no.	Description	Quantity	Unit
1	4.402-042.0	Screw union	1.000	ST
2	6.362-460.0	O-Ring seal 14,0 X 2,5-NBR 70	1.000	ST
3	5.030-528.0	Moulded part	1.000	ST
4	7.401-902.0	Sphere 5 G20 -1.4034 DIN 5401	2.000	ST
5	5.042-405.0	Holder	1.000	ST
6	7.777-999.0	Stockpiling discontinued	1.000	ST
7	6.362-480.0	O-Ring seal 12,42x 1,78	1.000	ST
8	7.777-999.0	Stockpiling discontinued	1.000	ST
	Item text1: 1.514-104.0 / -106.0 / -109.0 / -110.0			
	Item text2: / -111.0 /			
8	7.777-999.0	Stockpiling discontinued	1.000	ST
	Item text1: 1.514-101.0 / -103.0 / -151.0			
8	5.415-602.0	Triple jet nozzle 038	1.000	ST
	Item text1: / 1.514-105.0 / -201.0 /-203.0 /-204.0 /			
	Item text2: -205.0 /-206.0 /-251.0 /-252.0 /			
8	5.415-598.0	Triple jet nozzle 031	1.000	ST
	Item text1: 1.514-112.0 /-113.0 /-503.0			
9	5.311-117.0	Hexagon nut	1.000	ST
10	5.037-059.0	Hook	1.000	ST
11	5.394-269.0	Protection part	1.000	ST
12	4.767-041.0	Dirt blaster packaged 03	1.000	ST
	Item text1: 1.514-124.0			
12	4.767-023.0	Dirt blaster 040	1.000	ST
	Item text1: / 1.514-103.0 / -104.0 / -105.0 / -151.0 / -203.0 / -204.0 / -205.0 / -206.0 / -251.0 / -252.0 / -255.0			
12	4.767-022.0	Dirt blaster 035	1.000	ST
	Item text1: 1.514-113.0 /-507.0			