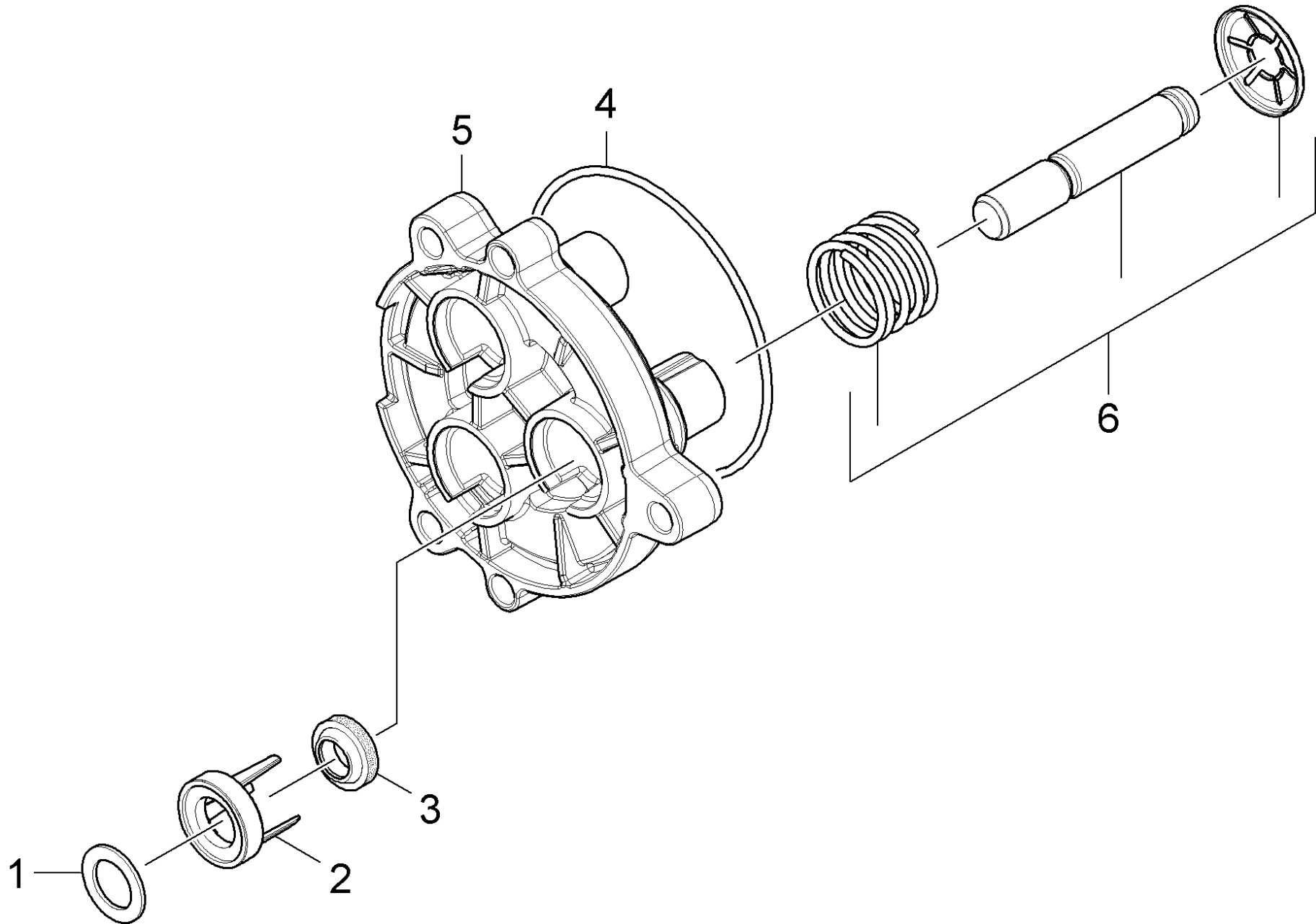


22 Piston guidance

Home and Garden \ High pressure cleaner cold water \ Electric motor \ K 7 \ K 7 Compact *EU \ Spare parts list K7 Compact \ Pump set \ Piston guidance



22 Piston guidance

Home and Garden \ High pressure cleaner cold water \ Electric motor \ K 7 \ K 7 Compact *EU \ Spare parts list K7 Compact \ Pump set \ Piston guidance

KÄRCHER

POS	Article no.	Description	Quantity	Unit
1	5.116-380.0	Washer piston guidance	3.000	ST
2	5.116-381.0	Supporting disk	3.000	ST
3	6.363-633.0	Grooved ring 12x18x6/5/1	3.000	ST
4	6.363-449.0	O-Ring seal 72x2 -NBR70	1.000	ST
5	5.062-349.0	Piston guidance 90° K7	1.000	ST
6	4.553-286.0	Piston complete	3.000	ST