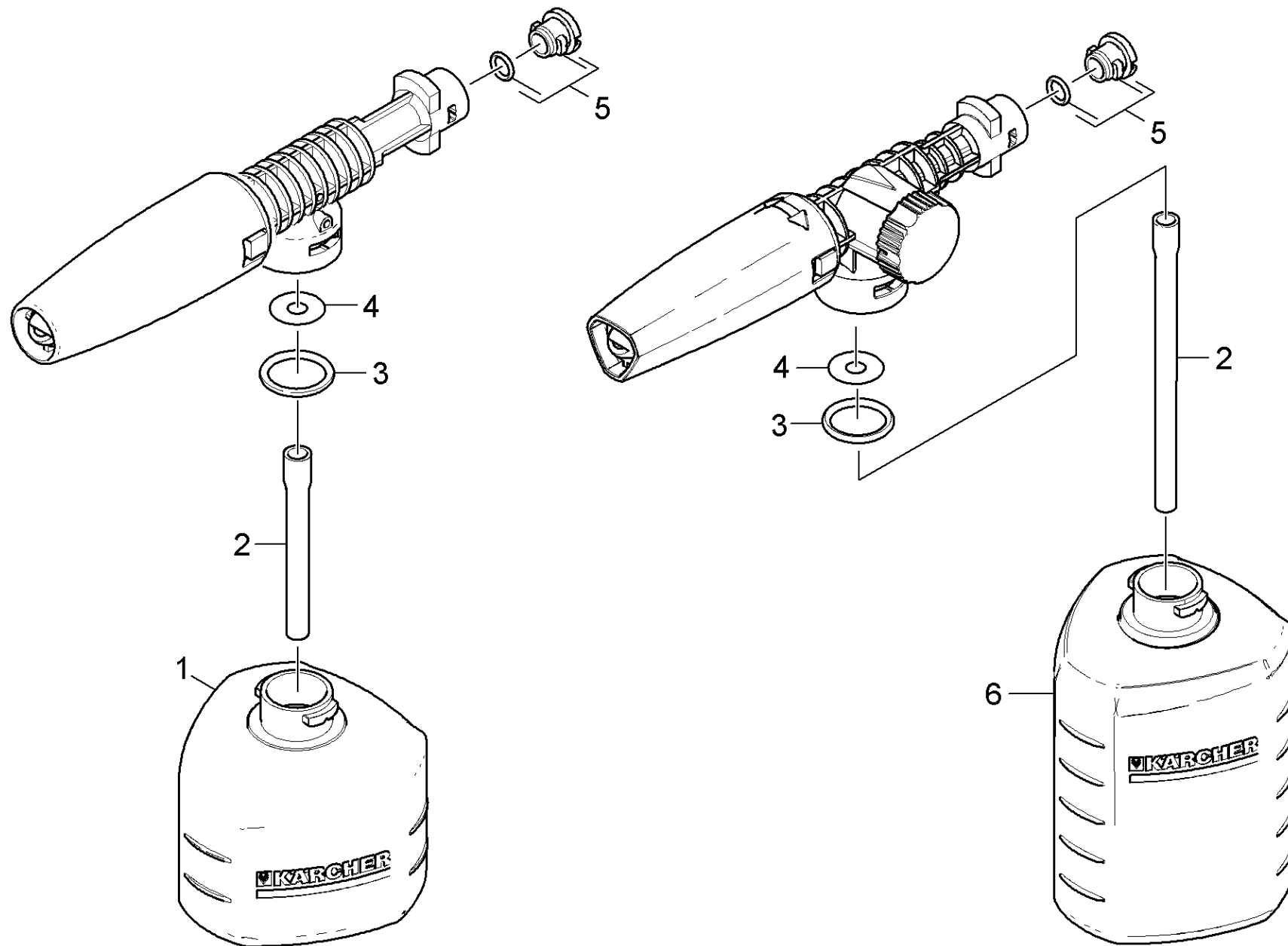


44 Foam lance

Overview technical documents/Home & Garden/High pressure cleaner cold water/Electric motor/K 2/K 2.110 EU (1.673-103.0)/Spare parts list K2 Modulrange Compact */40 Accessories/44 Foam lance



44 Foam lance

Overview technical documents/Home & Garden/High pressure cleaner cold water/Electric motor/K 2/K 2.110 EU (1.673-103.0)/Spare parts list K2 Modulrange Compact */40 Accessories/44 Foam lance

Rez.daļas/nodil.pakļ.daļas	Poz.	Materiāla Nr.	Nosaukums	Daudzums	Pārdoš. vienība
	1	5.071-203.0	Tank cleaning agents 0,3 l	1.000	ST
	2	6.388-216.0	Šļūtene DN 5	1.000	M
	3	6.362-874.0	O-Ring seal 21x3 - NBR 70	2.000	ST
	4	5.367-026.0	Diaphragm	1.000	ST
X-X	5	2.640-729.0	O-Ring seal set	2.000	ST
	6	5.071-202.0	Tank cleaning agents 0,6 l	1.000	ST