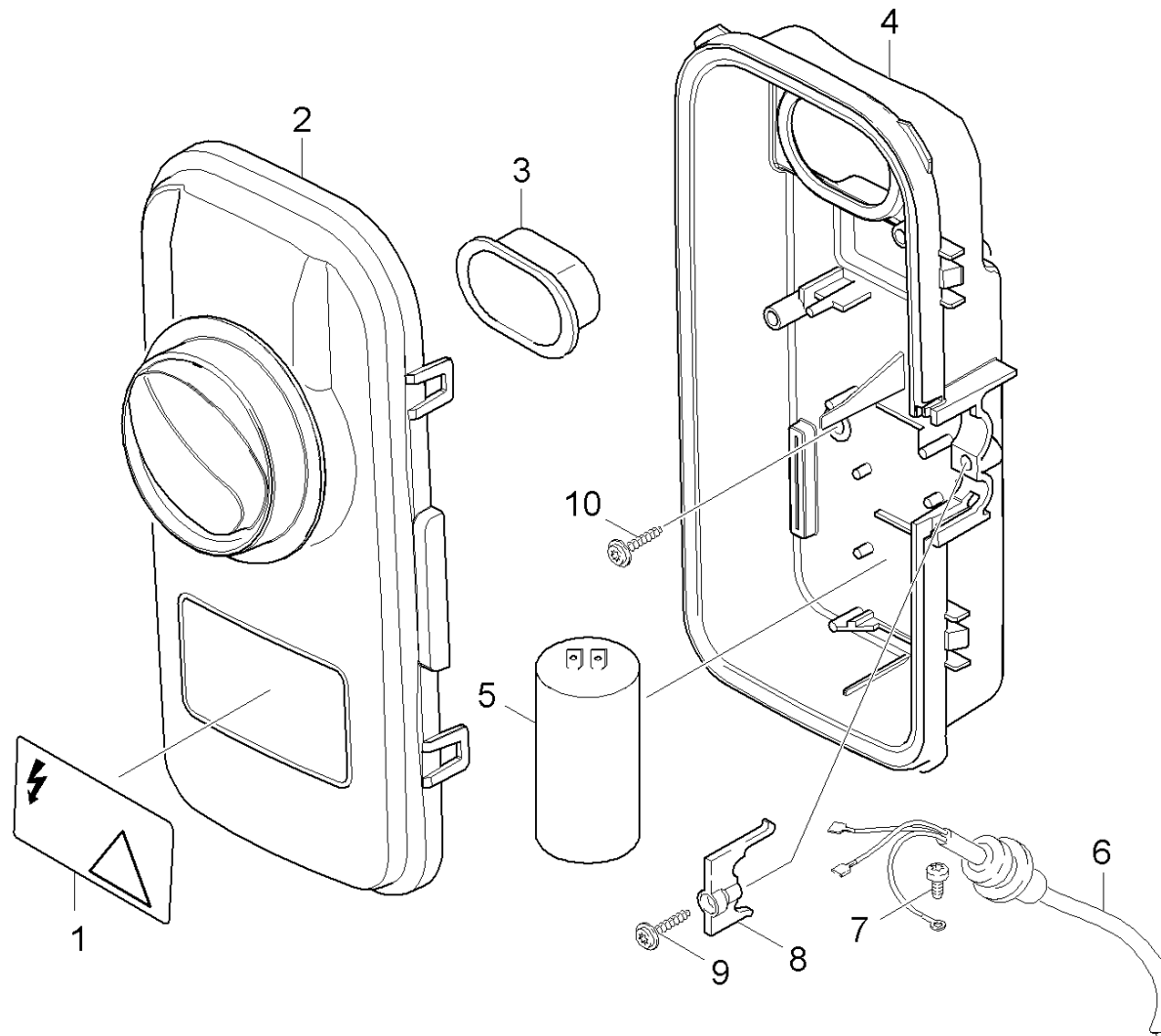


50 Electric box

Overview technical documents/Professional/High pressure cleaner cold water/Electric motor/HD 5/12 C (1.514-110.0)/Spare parts list HD 5/12 C_6/13 C/50 Electric box



50 Electric box

Overview technical documents/Professional/High pressure cleaner cold water/Electric motor/HD 5/12 C (1.514-110.0)/Spare parts list HD 5/12 C_6/13 C/50 Electric box

Rez.daļas/nodil.pakļ.daļas	Poz.	Materiāla Nr.	Nosaukums	Daudzums	Pārdoš. vienība	no sēr. Nr..	līdz sēr. Nr.	Daž. informācija
	1	5.388-512.0	Label	1.000	ST	0000000000	0000000000	
X-X	2	4.744-200.0	Switch complete	1.000	ST	0000000000	0000000000	
Pozīcijas teksts: / 1.514-106.0 / -111.0								
X-X	2	4.744-266.0	Switch from 4.744-167.0	1.000	ST	0000000000	0000000000	
Pozīcijas teksts: 1.514-112.0 /-113.0 /-123.0 /-124.0 /-201.0 /-203.0 /-204.0 /-205.0 /-206.0 /-207.0 /-251.0 /-252.0 /-255.0 /-503.0 /-507.0 /-508.0								
	2	4.744-166.0	Switch	1.000	ST	0000000000	0000000000	
Pozīcijas teksts: 1.514-101.0 / -103.0 / -104.0 / -105.0 /1.514-109.0 / -110.0 / -127.0 /-151.0 /								
	3	5.365-181.0	Gasket	1.000	ST	0000000000	0000000000	
	4	5.061-084.0	Housing	1.000	ST	0000000000	0000000000	
Pozīcijas teksts: / 1.514-106.0 / -111.0								
	4	5.061-000.0	Korpuss	1.000	ST	0000000000	0000000000	
Pozīcijas teksts: 1.514-101.0 /-103.0 /-104.0 /-105.0 / -110.0 /-112.0 /-113.0 /-123.0 /-124.0 /-127.0 /-151.0 /-201.0 /-203.0 /-204.0 /-205.0 /-206.0 /-207.0 /-251.0 /-252.0 /-255.0 /-503.0 /-507.0 /-508.0								
X	5	6.661-298.0	Kondensators 30 mF	1.000	ST	0000000000	0000000000	40 mF
	5	6.661-132.0	Capacitor 35MF	1.000	ST			35 mF
	5	6.661-237.0	Capacitor 70µF	1.000	ST	0000000000	0000000000	70 mF
	5	6.661-129.0	Kondensators 25 MF	1.000	ST	0000000000	0000000000	25 mF
Pozīcijas teksts: /1.514-101.0/-103.0/-104.0/-105.0 /-109.0 /-112.0 /-113.0 /-123.0 /-124.0 /-151.0 /-201.0 /-203.0 /-251.0 /-252.0 /-255.0 /-503.0 /-507.0 /-508.0								
	6	6.649-292.0	Cable with plug	1.000	ST			
Pozīcijas teksts: / 1.514-111.0								
	6	6.649-943.0	Cable with plug CH	1.000	ST	0000000000	0000000000	(CH)
Pozīcijas teksts: / 1.514-104.0								
	6	6.648-979.0	Cable with plug *AUS	1.000	ST	0000000000	0000000000	(AU)
Pozīcijas teksts: / 1.514-105.0								
	6	6.648-980.0	Cable with plug *CDN	1.000	ST	0000000000	0000000000	(CSA)
Pozīcijas teksts: / 1.514-106.0								

50 Electric box

Overview technical documents/Professional/High pressure cleaner cold water/Electric motor/HD 5/12 C (1.514-110.0)/Spare parts list HD 5/12 C_6/13 C/50 Electric box

Rez.daļas/nodil.pakļ.daļas	Poz.	Materiāla Nr.	Nosaukums	Daudzums	Pārdoš. vienība	no sēr. Nr.	līdz sēr. Nr.	Daž. informācija
	6	6.648-906.0	Kabelis ar kontaktdakšu	1.000	ST	0000000000	0000000000	(EUR)
Pozīcijas teksts: 1.514-101.0 /-109.0 /-110.0 /-112.0 /-113.0 /-123.0 /-124.0 /-151.0 /-201.0 /-204.0 /-205.0 /-206.0 /-251.0 /-252.0 /-255.0 /-503.0 /-508.0								
	6	6.648-977.0	Cable with plug *GB	1.000	ST	0000000000	0000000000	(GB)
Pozīcijas teksts: / 1.514-103.0 /-127.0 /-203.0 /-207.0/-507.0								
	7	7.303-031.0	screw	1.000	ST	0000000000	0000000000	
	8	5.263-051.0	tensioning part	1.000	ST	0000000000	0000000000	
	9	6.303-200.0	Skrūve 5x25-IN6RD	1.000	ST	0000000000	0000000000	
	10	6.303-153.0	Screw M5x15-ST-R2R (IN6RD)	3.000	ST	0000000000	0000000000	