

Spare parts list

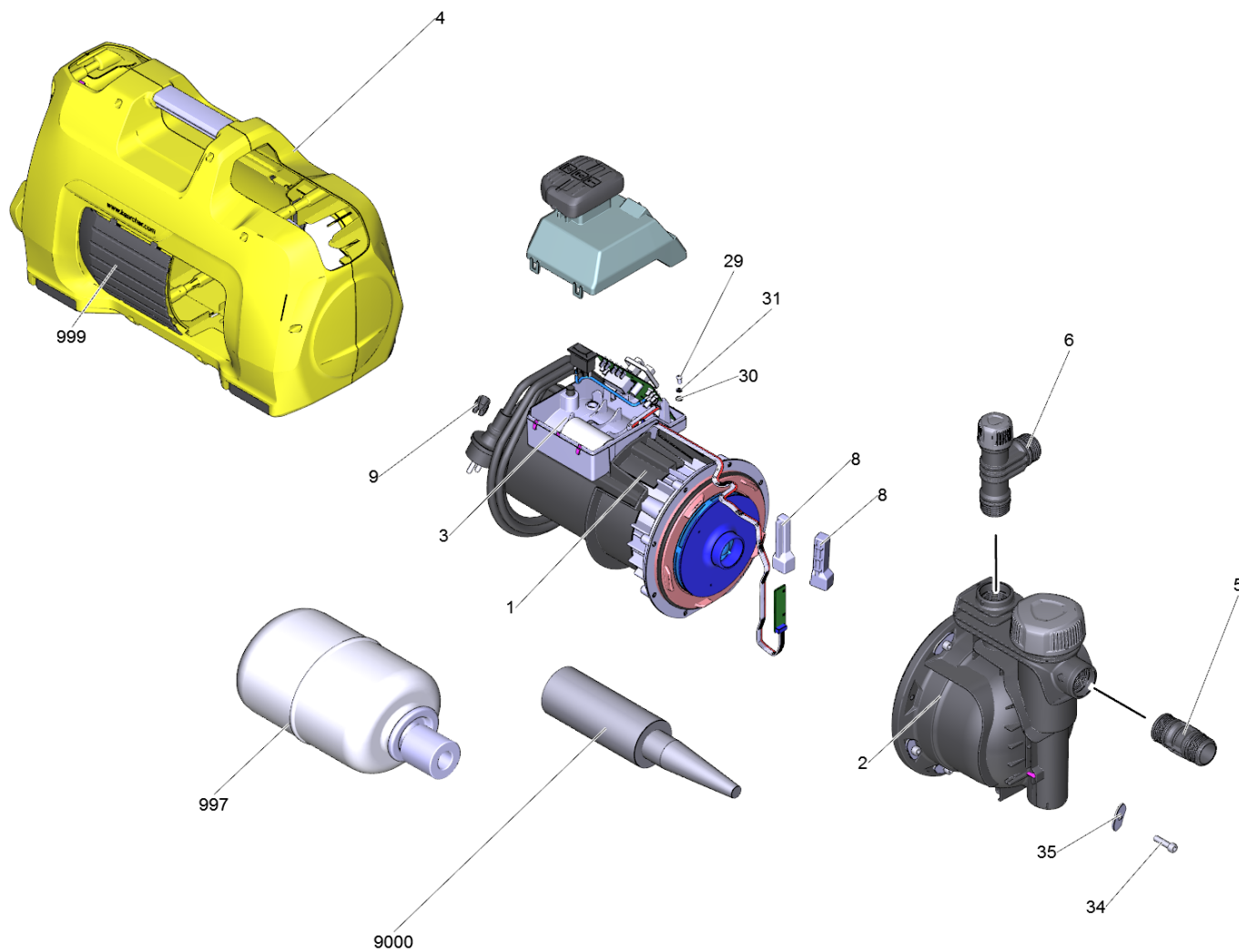
(1.645-353.0) BP 3 Home & Garden *EU

Table of contents

BP 3 Home & Garden *EU (1.645-353.0)	3
Spare parts list BP3 H&G (5.973-040.0)	4
1 Drive components BP 3 H&G	6
2 Pump head completely BP 3 H&G	8
4 Injector completely BP 3 H&G (4.645-469.0)	10
6 Start/stop valve (4.645-500.0)	12
2 PUMP HEAD CPL. BP 3 H&G	14
4 Injector completely BP 3 H&G (4.645-469.0)	16
6 Valve complete (4.645-620.0)	18
3 Electronic components BP 3 H&G	20
4 Housing completely BP 3 H&G	22
999 Housing set for replacement BP Middle/ T (4.645-576.0)	24
999 Housing set for replacement Middle/ Top (4.645-622.0)	26
5 Adapter connection (6.997-473.0)	28
6 Adapter Anschluss 2-Wege (6.997-474.0)	30

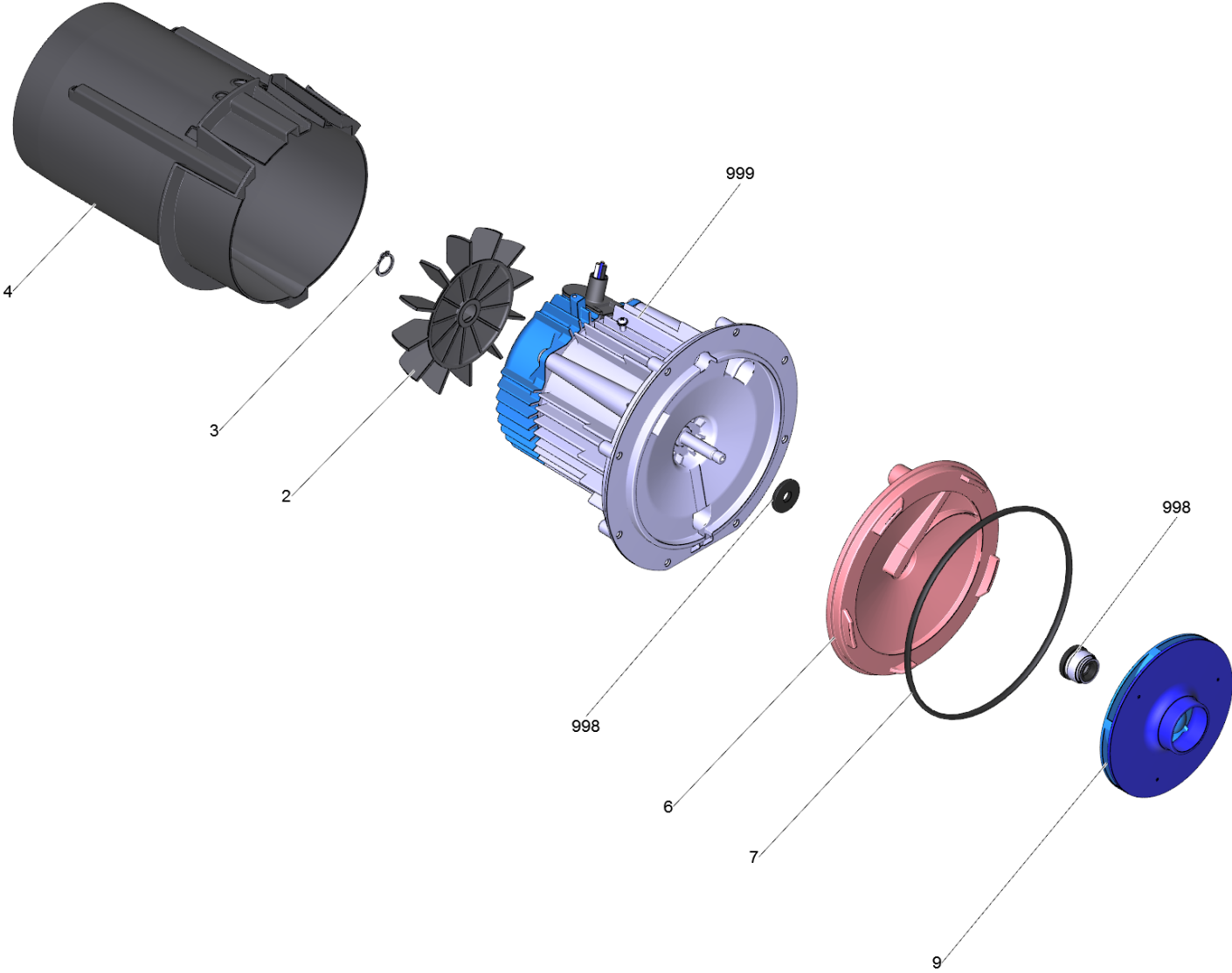
BP 3 Home & Garden *EU (1.645-353.0)

POS	Article no.	Description	Quantity	Unit
0	5.973-040.0	Spare parts list BP3 H&G	1	PC



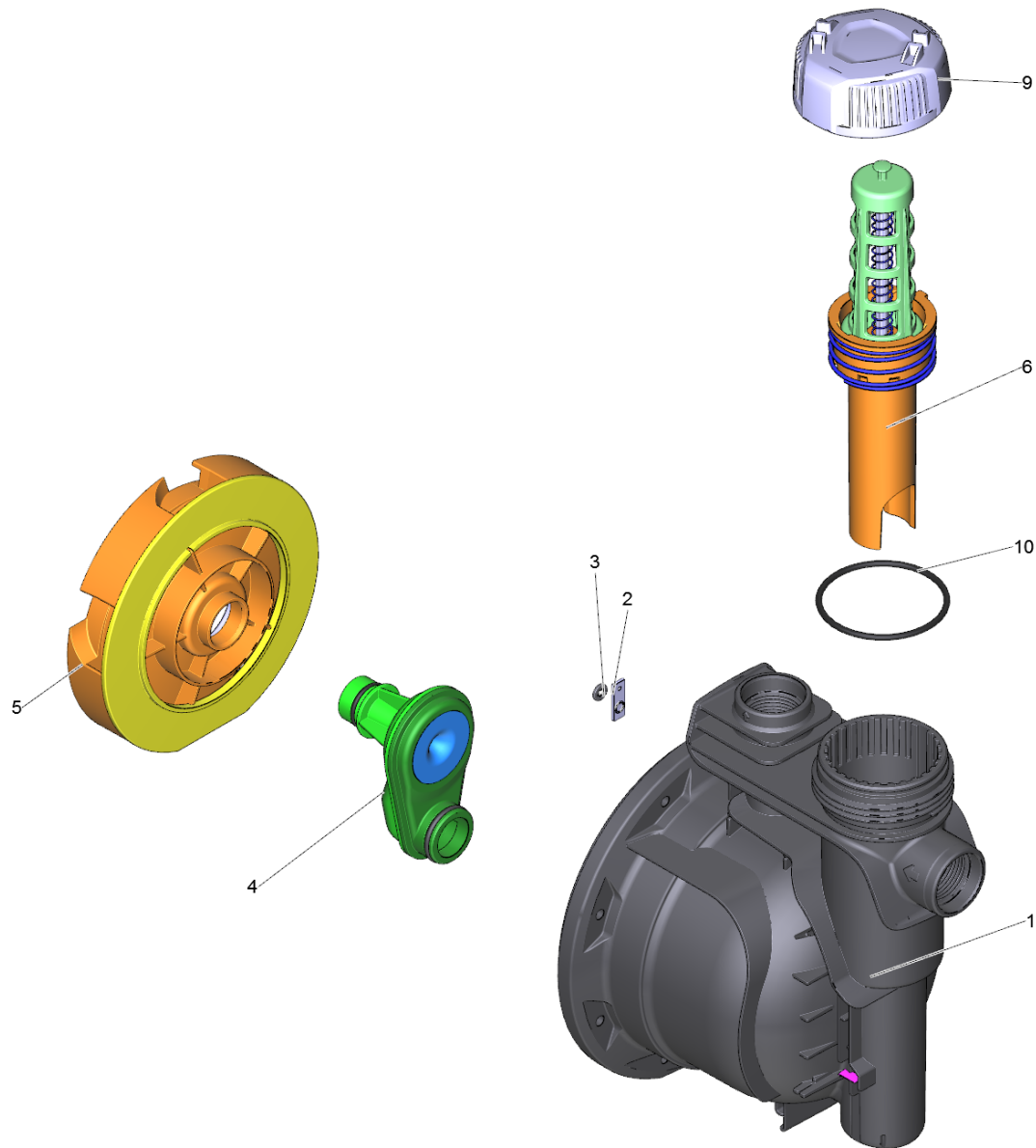
Spare parts list BP3 H&G (5.973-040.0)

POS	Article no.	Description	Quantity	Unit	valid from	valid until	Foot note text
1		Drive components BP 3 H&G	1	PC			
2		Pump head completely BP 3 H&G	1	PC		99999	VERSION 1
2		PUMP HEAD CPL. BP 3 H&G	1	PC	100000		VERSION 2
3		Electronic components BP 3 H&G	1	PC			
4		Housing completely BP 3 H&G	1	PC			
5	6.997-473.0	Adapter connection	1	PC			
6	6.997-474.0	Adapter Anschluss 2-Wege	1	PC			
8	5.645-854.0	Covering cap sensor board	1	PC			VERSION 1
8	5.645-986.0	Covering cap sensor	1	PC			VERSION 2
9	5.645-426.0	Cable clip	1	PC			
29	6.645-666.0	Screw M4x8	1	PC			
30	6.645-665.0	Toothed lock washer 4	1	PC			
31	6.645-664.0	Spring washer B 4	1	PC			
34	7.304-143.0	Hexagonal head screw M12x60-8.8-A2E ISO	8	PC			
35	5.645-248.0	Spacer GP-M	8	PC			
997	4.645-623.0	Pressure boiler with adapter	1	PC			
999	4.645-577.0	Screen set for replacement BP Middle	1	PC			
9000	6.645-856.0	SILICONE GEL FOR REPLACEMENT 937 T	1	PC			



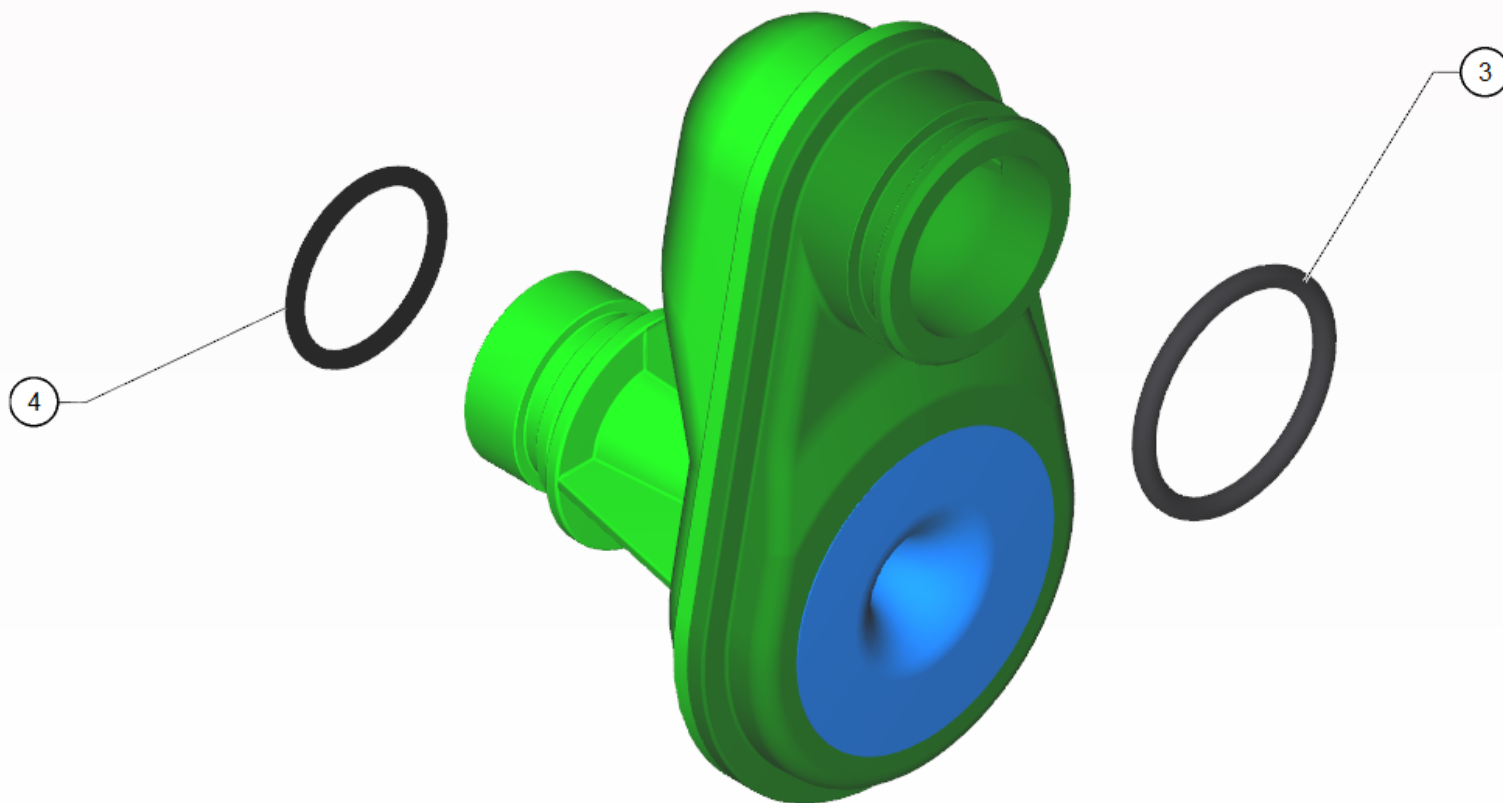
1 Drive components BP 3 H&G

POS	Article no.	Description	Quantity	Unit
2	6.645-625.0	Blower	1	PC
3	7.343-015.0	Locking ring 15x1-FST-RF DIN 471	1	PC
4	5.645-748.0	Air circulation BP MIDDLE/TOP	1	PC
6	5.645-750.0	Backplate hydraulic	1	PC
7	6.645-733.0	O-Ring seal 160x4	1	PC
9	4.645-471.0	Impeller completely	1	PC
998	4.645-569.0	Slip-ring set for replacement Entry, Mid	1	PC
999	4.645-575.0	Motor for replacement BP 3 H&G	1	PC



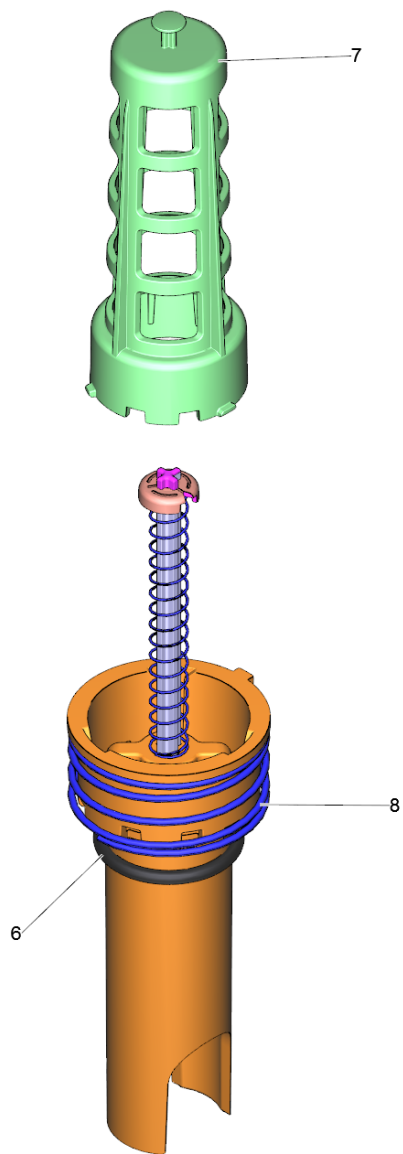
2 Pump head completely BP 3 H&G

POS	Article no.	Description	Quantity	Unit
1	5.645-767.0	Pump head BP MIDDLE/TOP	1	PC
2	6.645-346.0	Rubber ventilation	1	PC
3	6.343-139.0	Lock washer	1	PC
4	4.645-469.0	Injector completely BP 3 H&G	1	PC
5	4.645-464.0	Guide wheel completely	1	PC
6	4.645-500.0	Start/stop valve	1	PC
9	5.645-840.0	Filter cover	1	PC
10	6.645-738.0	O-Ring seal 63x3,15	1	PC



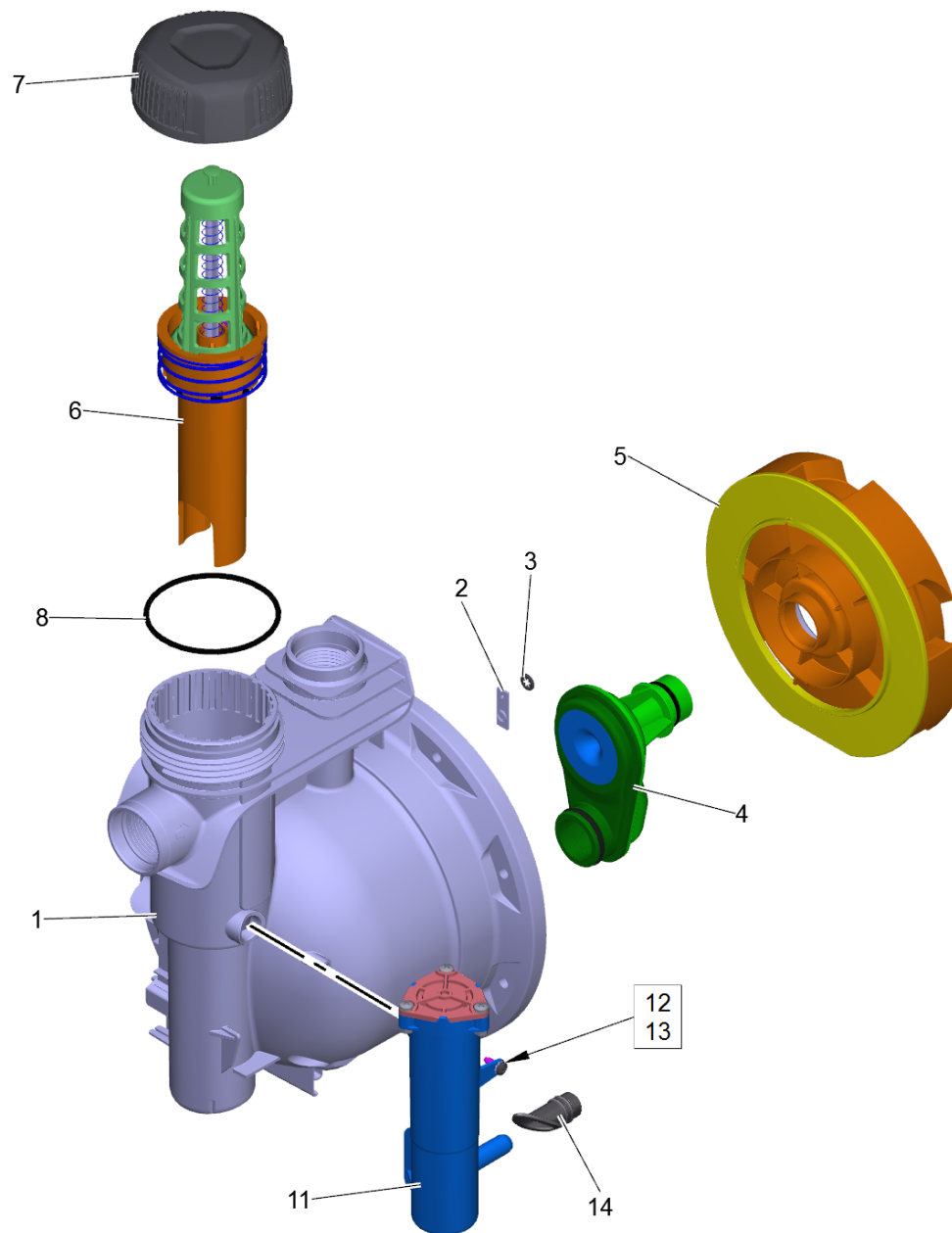
4 Injector completely BP 3 H&G (4.645-469.0)

POS	Article no.	Description	Quantity	Unit
3	6.645-647.0	O-Ring seal 28x3	1	PC
4	6.645-627.0	O-Ring seal 22x2,5	1	PC



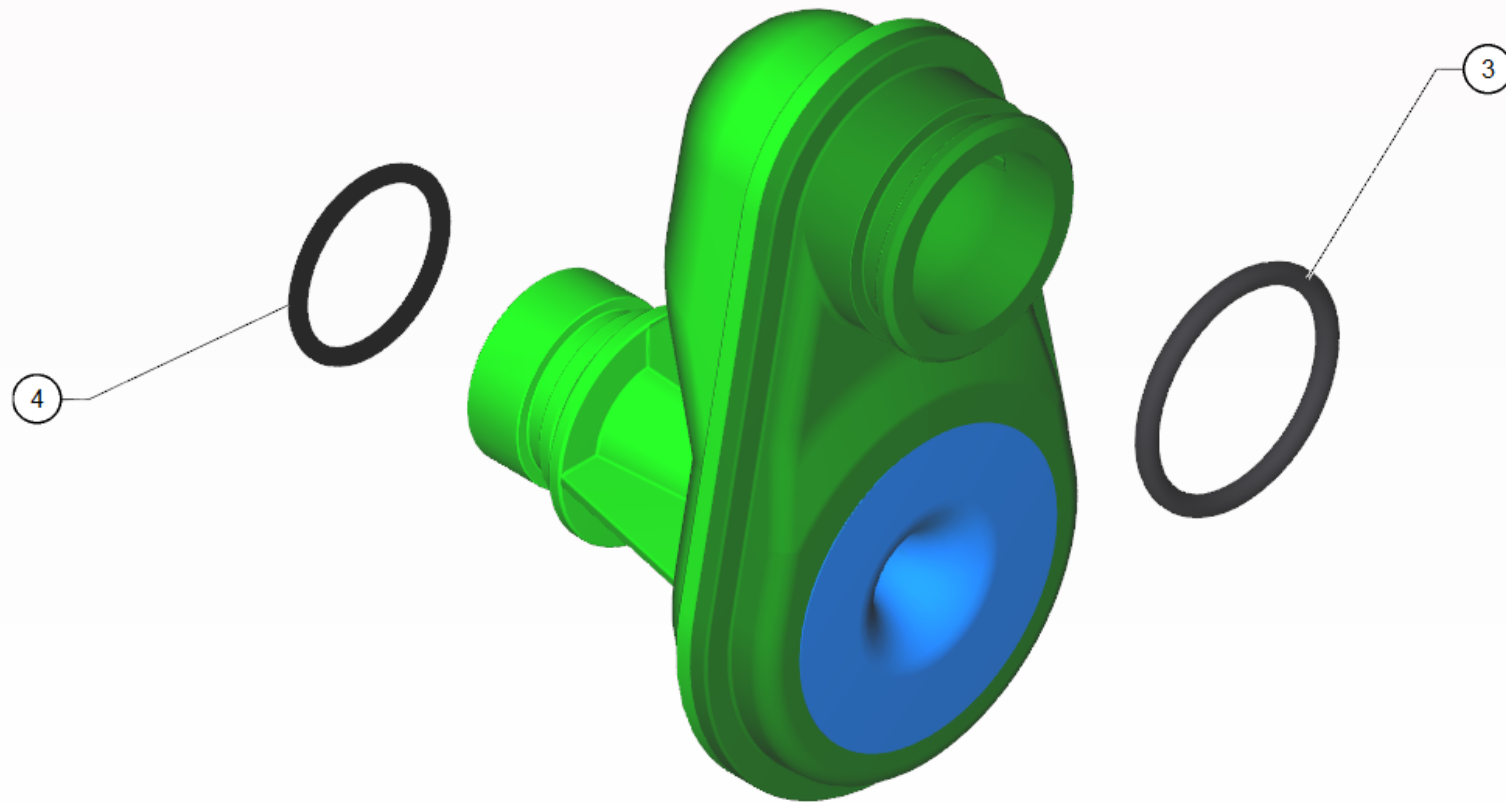
6 Start/stop valve (4.645-500.0)

POS	Article no.	Description	Quantity	Unit
6	6.645-632.0	O-Ring seal 36x5	1	PC
7	5.645-818.0	Prefilter	1	PC
8	6.645-633.0	Spring Ø1,9xØ57,1x65	1	PC



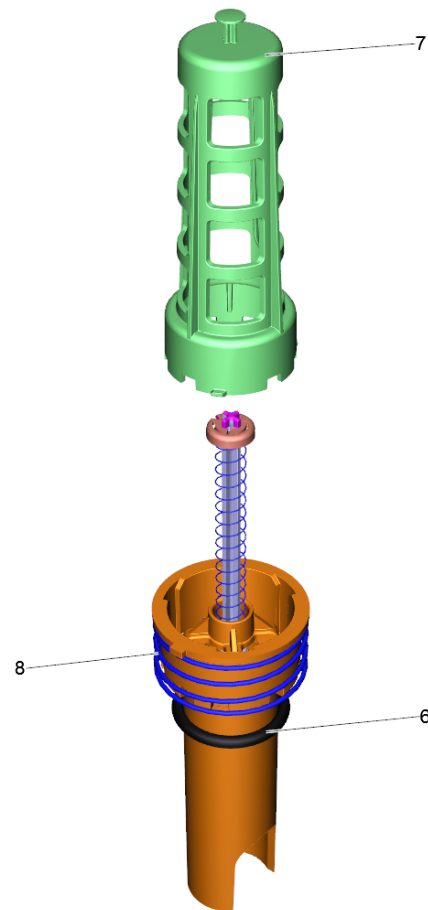
2 PUMP HEAD CPL. BP 3 H&G

POS	Article no.	Description	Quantity	Unit
1	5.645-985.0	Pump head	1	PC
2	6.645-346.0	Rubber ventilation	1	PC
3	6.343-139.0	Lock washer	1	PC
4	4.645-469.0	Injector completely BP 3 H&G	1	PC
5	4.645-464.0	Guide wheel completely	1	PC
6	4.645-620.0	Valve complete	1	PC
7	5.645-840.0	Filter cover	1	PC
8	6.645-738.0	O-Ring seal 63x3,15	1	PC
11	4.645-616.0	Pressure compensation valve	1	PC
12	7.303-116.0	Screw 4x12-A2-70 (IN6RD)	1	PC
13	6.645-665.0	Toothed lock washer 4	1	PC
14	5.645-978.0	Rubber grommet	1	PC



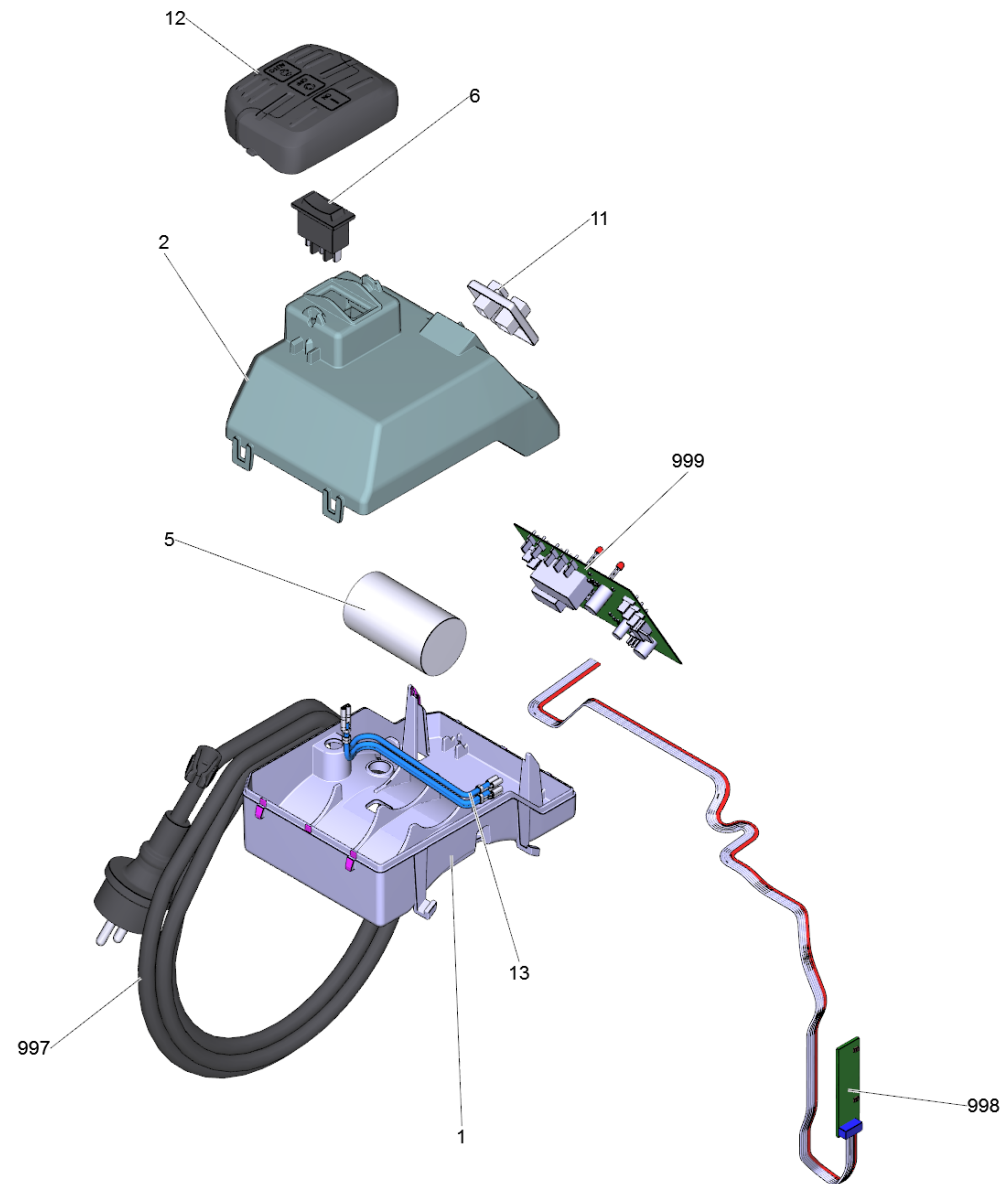
4 Injector completely BP 3 H&G (4.645-469.0)

POS	Article no.	Description	Quantity	Unit
3	6.645-647.0	O-Ring seal 28x3	1	PC
4	6.645-627.0	O-Ring seal 22x2,5	1	PC



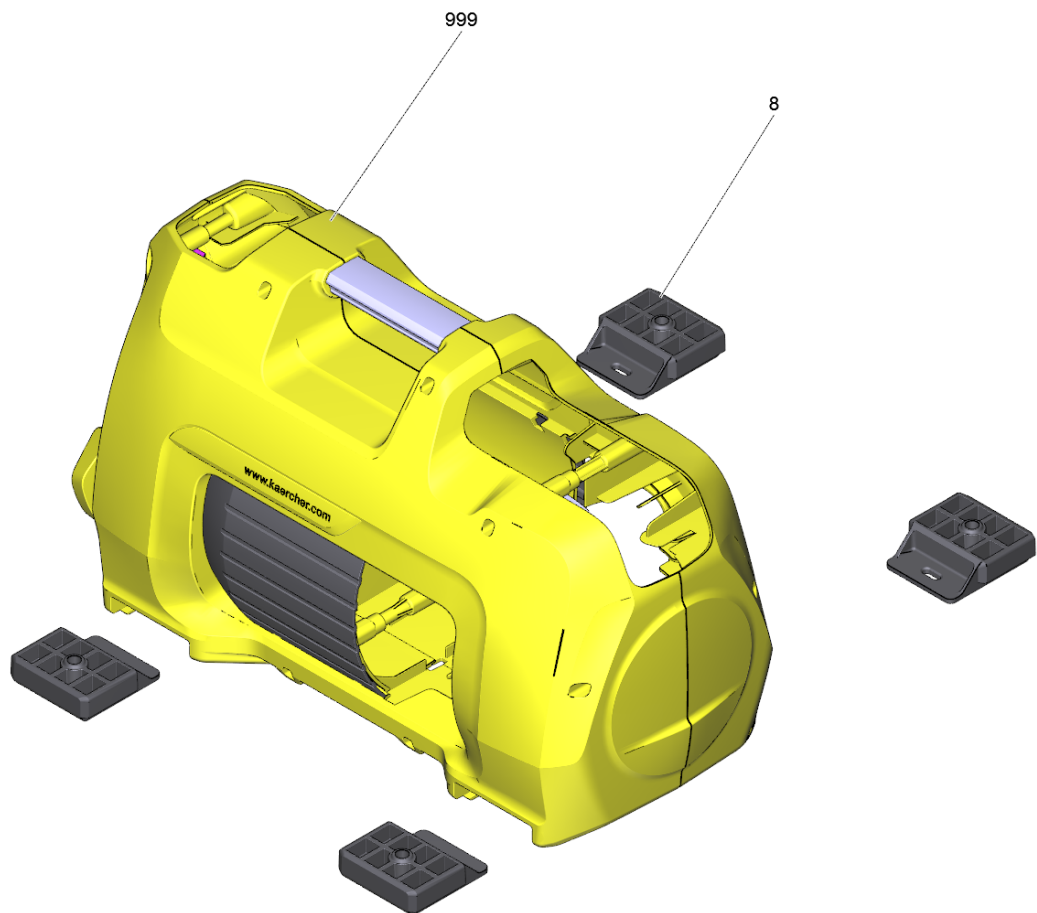
6 Valve complete (4.645-620.0)

POS	Article no.	Description	Quantity	Unit
6	6.645-632.0	O-Ring seal 36x5	1	PC
7	5.645-818.0	Prefilter	1	PC
8	6.645-633.0	Spring Ø1,9xØ57,1x65	1	PC



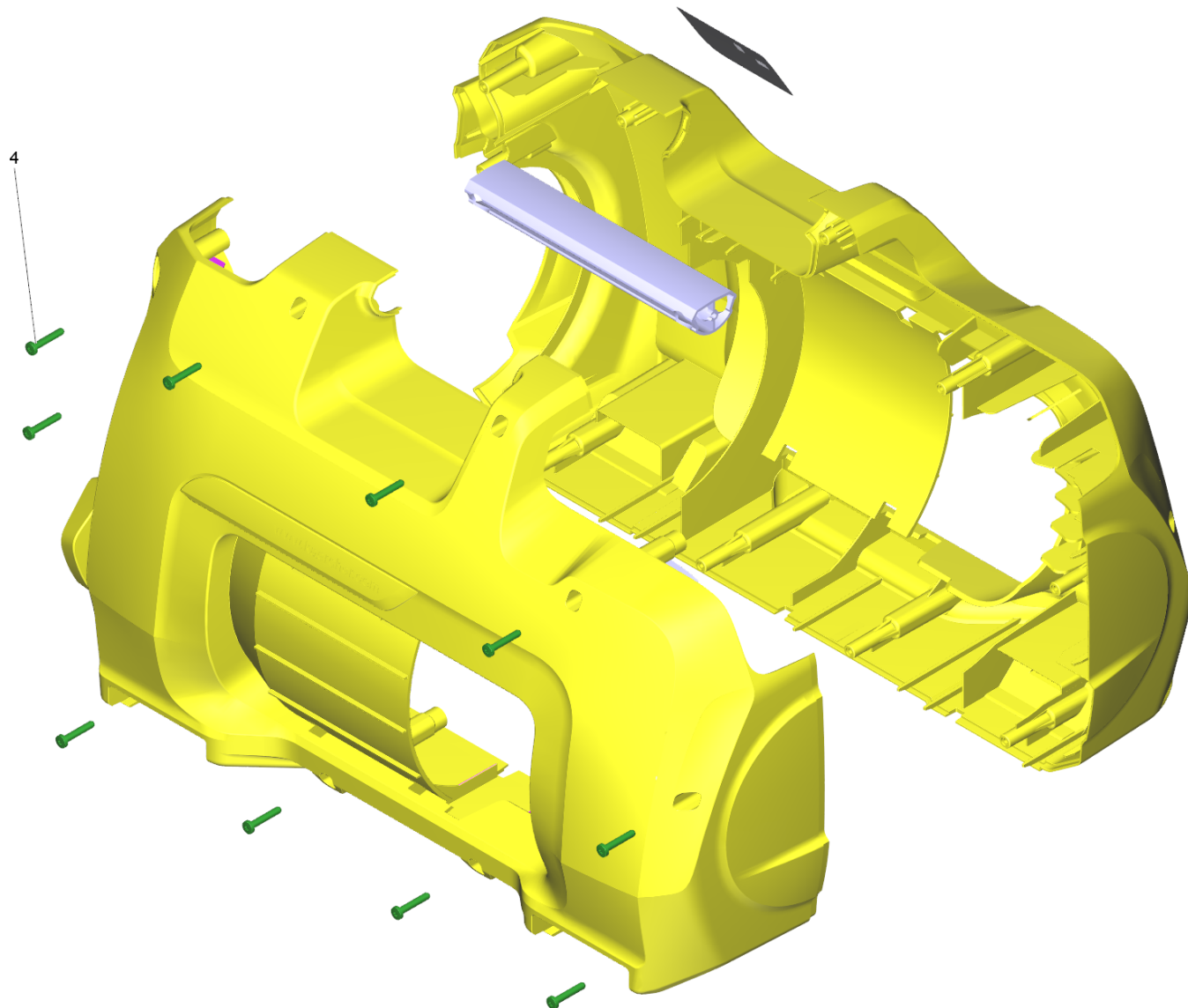
3 Electronic components BP 3 H&G

POS	Article no.	Description	Quantity	Unit
1	5.645-795.0	Electrical box bottom part	1	PC
2	5.645-796.0	Electrical box cover	1	PC
5	6.645-667.0	Capacitor 16µF S3	1	PC
6	6.645-670.0	Rocker switch	1	PC
11	5.645-839.0	Optical fibre	1	PC
12	4.645-523.0	Covering cap switch completely BP 3 H&G	1	PC
13	6.645-004.0	Cable with end terminal 2	3	PC
997	4.645-578.0	Cable with plug for replacement BP Middl	1	PC
998	4.645-579.0	Sensor board for replacement BP Middle/	1	PC
999	4.645-580.0	Mainboard for replacement BP Middle/ Top	1	PC



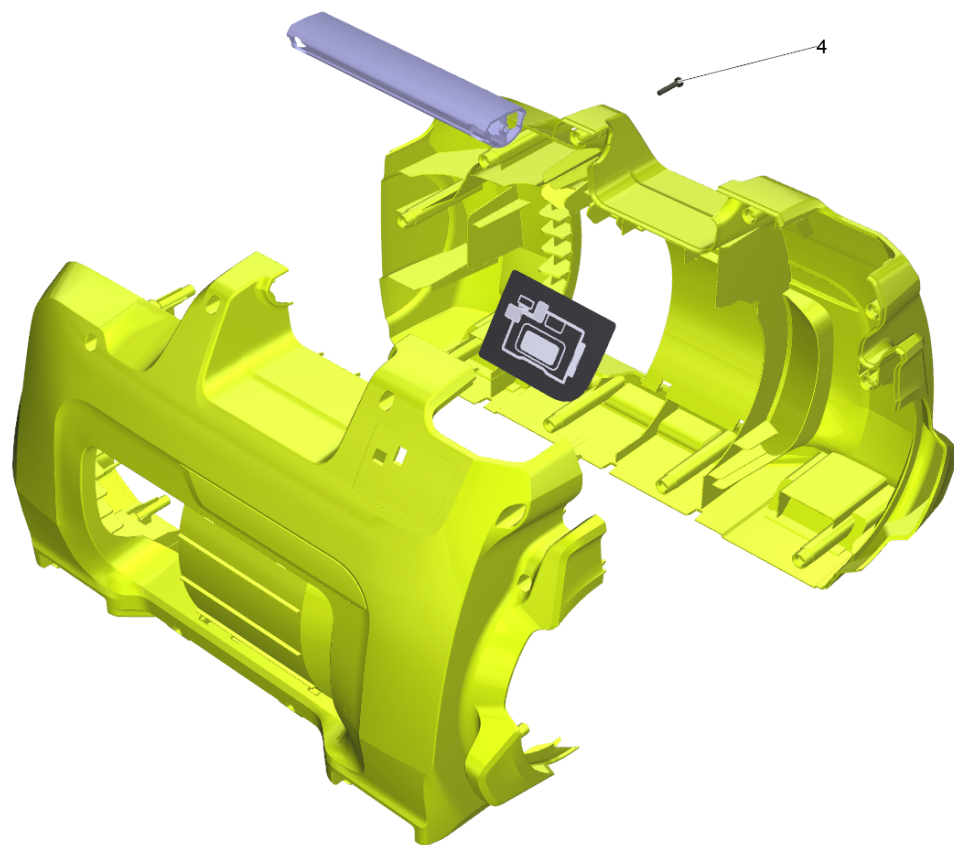
4 Housing completely BP 3 H&G

POS	Article no.	Description	Quantity	Unit	Foot note text
8	5.645-832.0	Rubber foot	4	PC	
999	4.645-576.0	Housing set for replacement BP Middle/ T	1	PC	VERSION 1
999	4.645-622.0	Housing set for replacement Middle/ Top	1	PC	VERSION 2



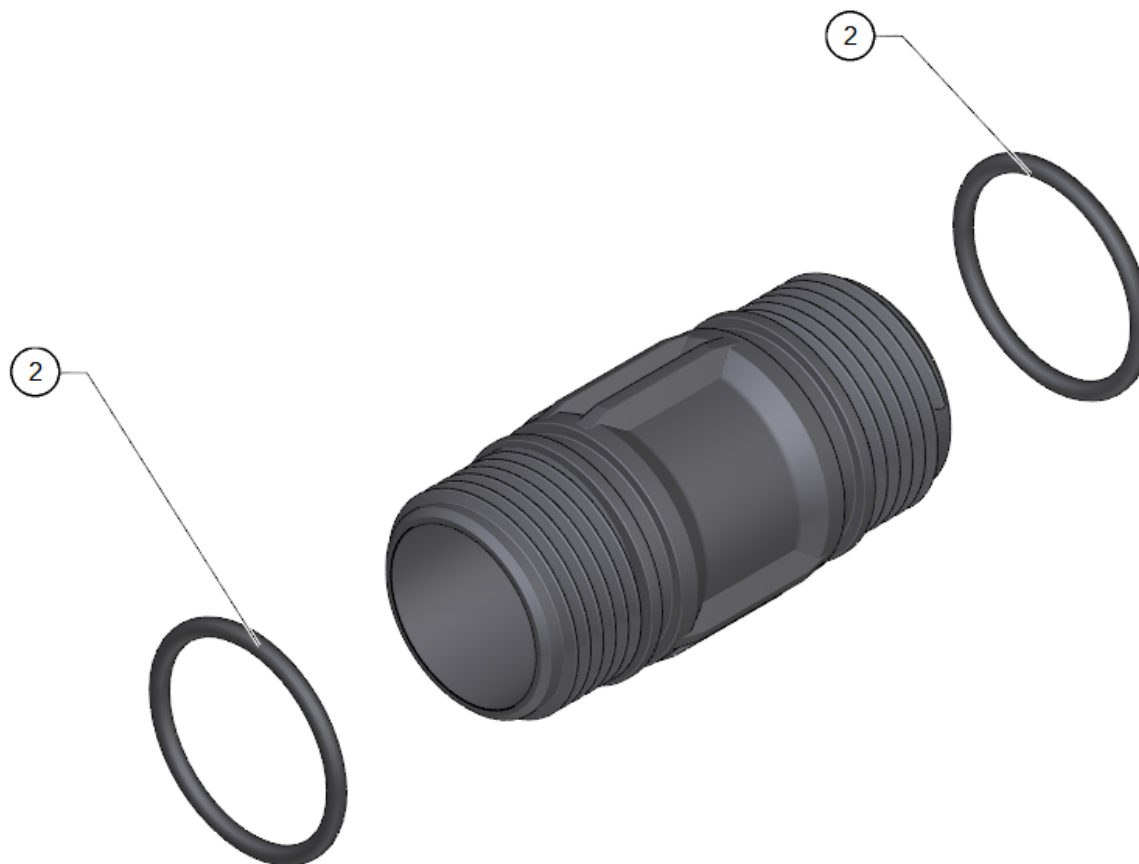
999 Housing set for replacement BP Middle/ T (4.645-576.0)

POS	Article no.	Description	Quantity	Unit
4	9.086-221.0	Screw ATF 4.1x22	10	PC



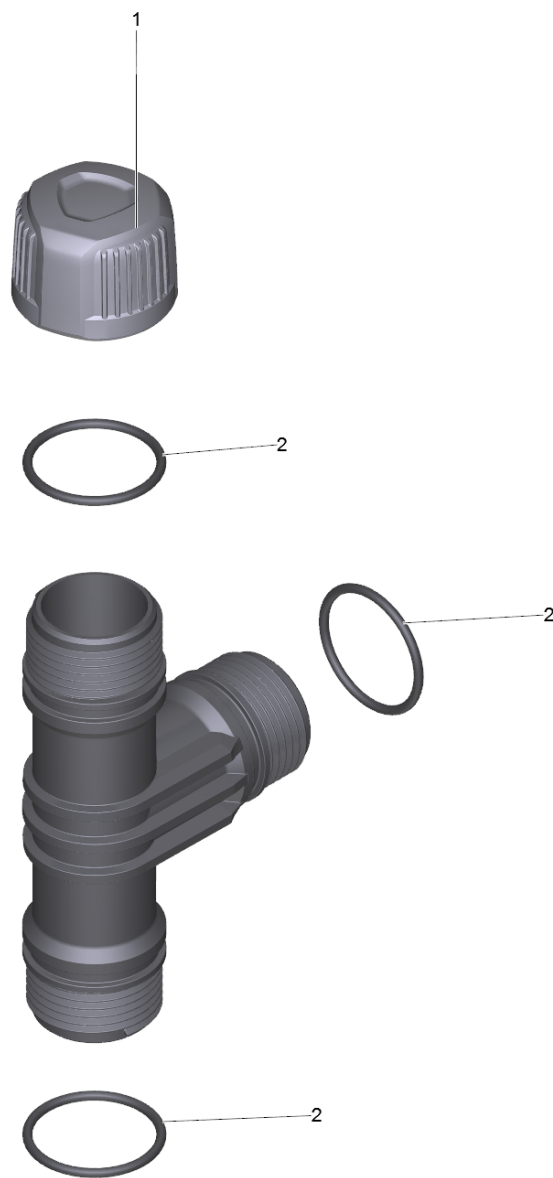
999 Housing set for replacement Middle/ Top (4.645-622.0)

POS	Article no.	Description	Quantity	Unit
4	9.086-221.0	Screw ATF 4.1x22	10	PC



5 Adapter connection (6.997-473.0)

POS	Article no.	Description	Quantity	Unit
2	6.645-648.0	O-Ring seal 30x2,55	2	PC



6 Adapter Anschluss 2-Wege (6.997-474.0)

POS	Article no.	Description	Quantity	Unit
1	5.645-858.0	Closure cap	1	PC
2	6.645-648.0	O-Ring seal 30x2,55	3	PC