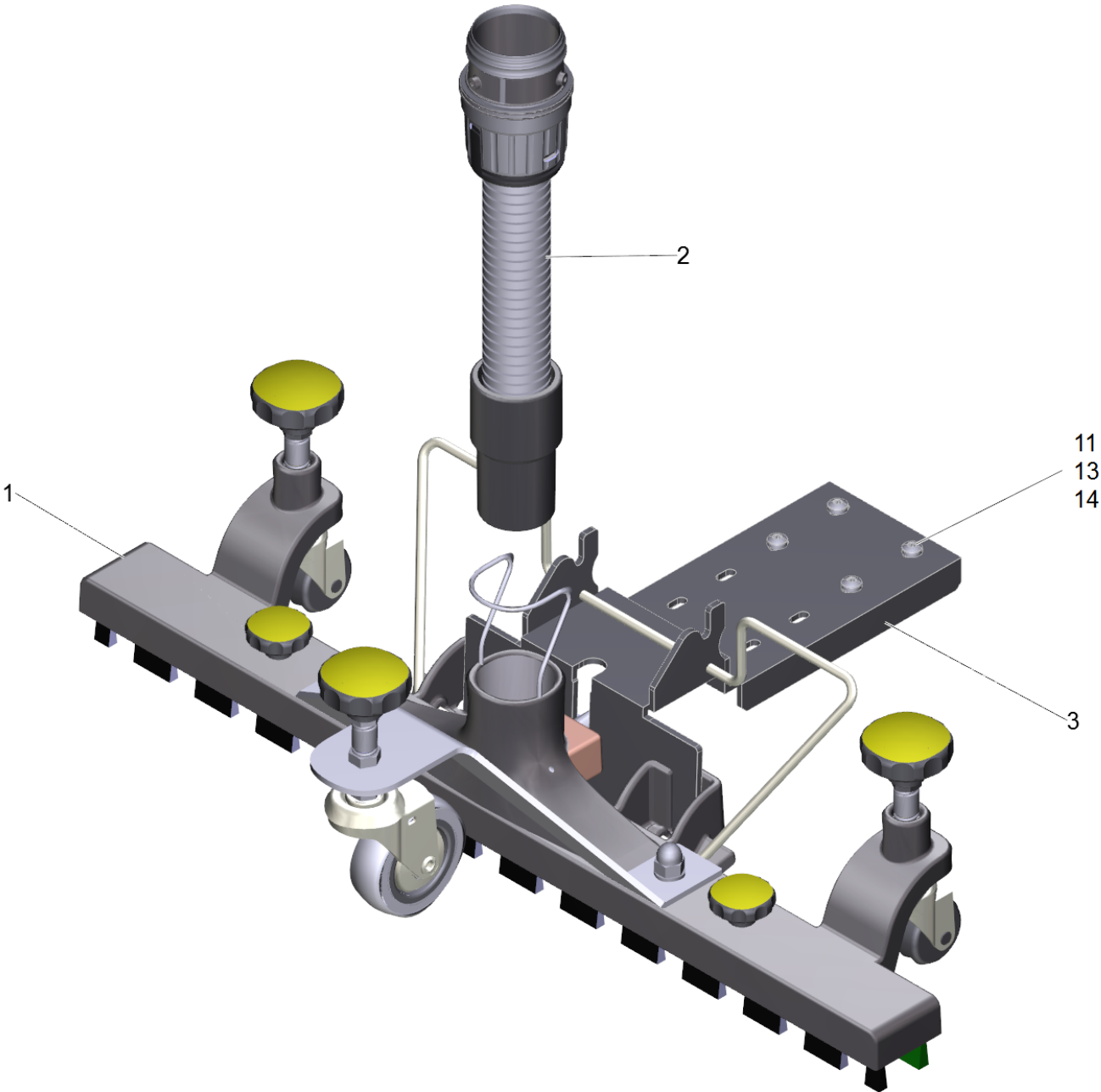


Spare parts list

(2.130-002.0) Nozzle metal packaged

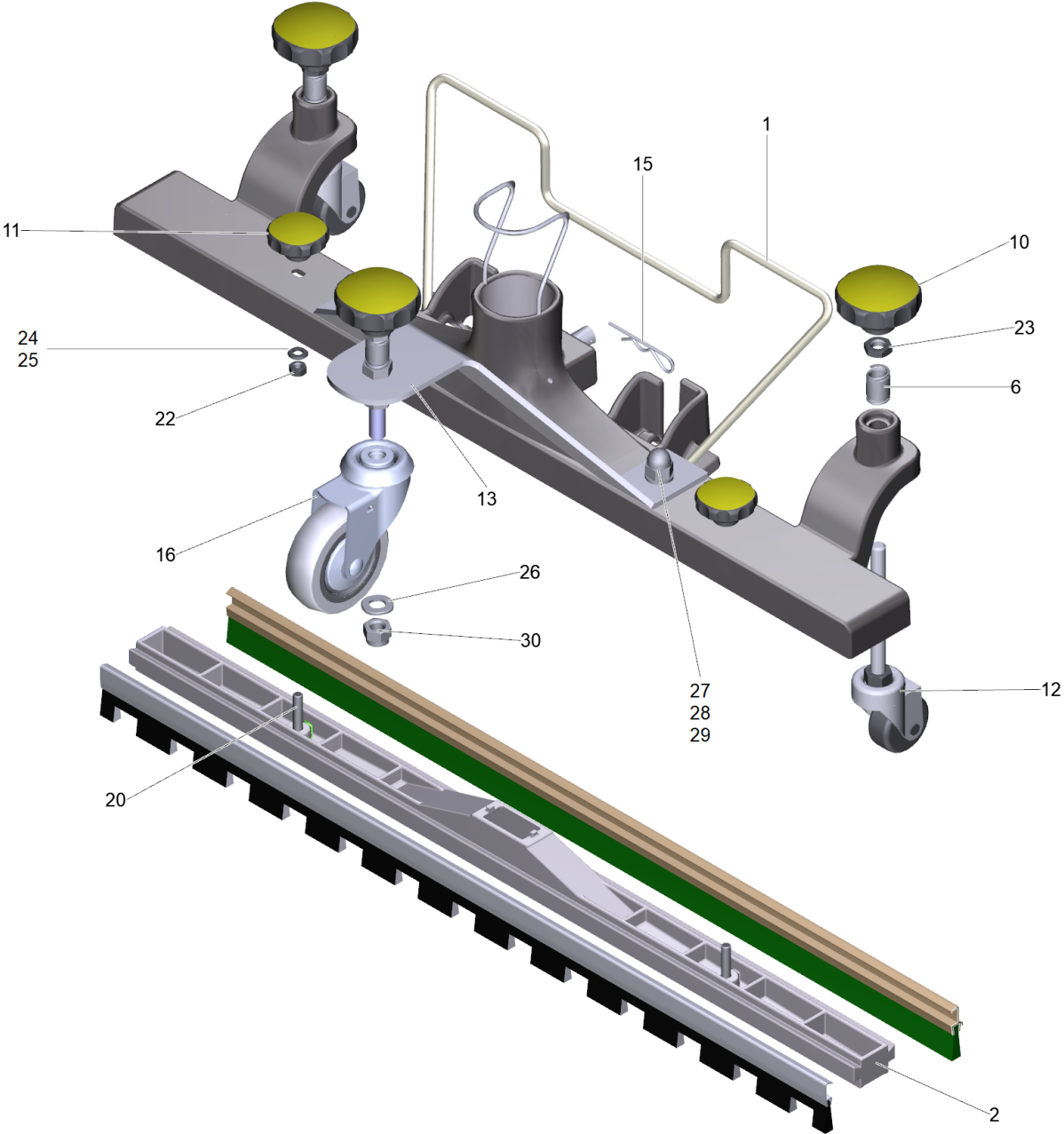
Table of contents

Nozzle metal packaged (2.130-002.0)	3
1 Nozzle mounted	5
2 Hose complete 4.130-029.0 (4.440-077.0)	7



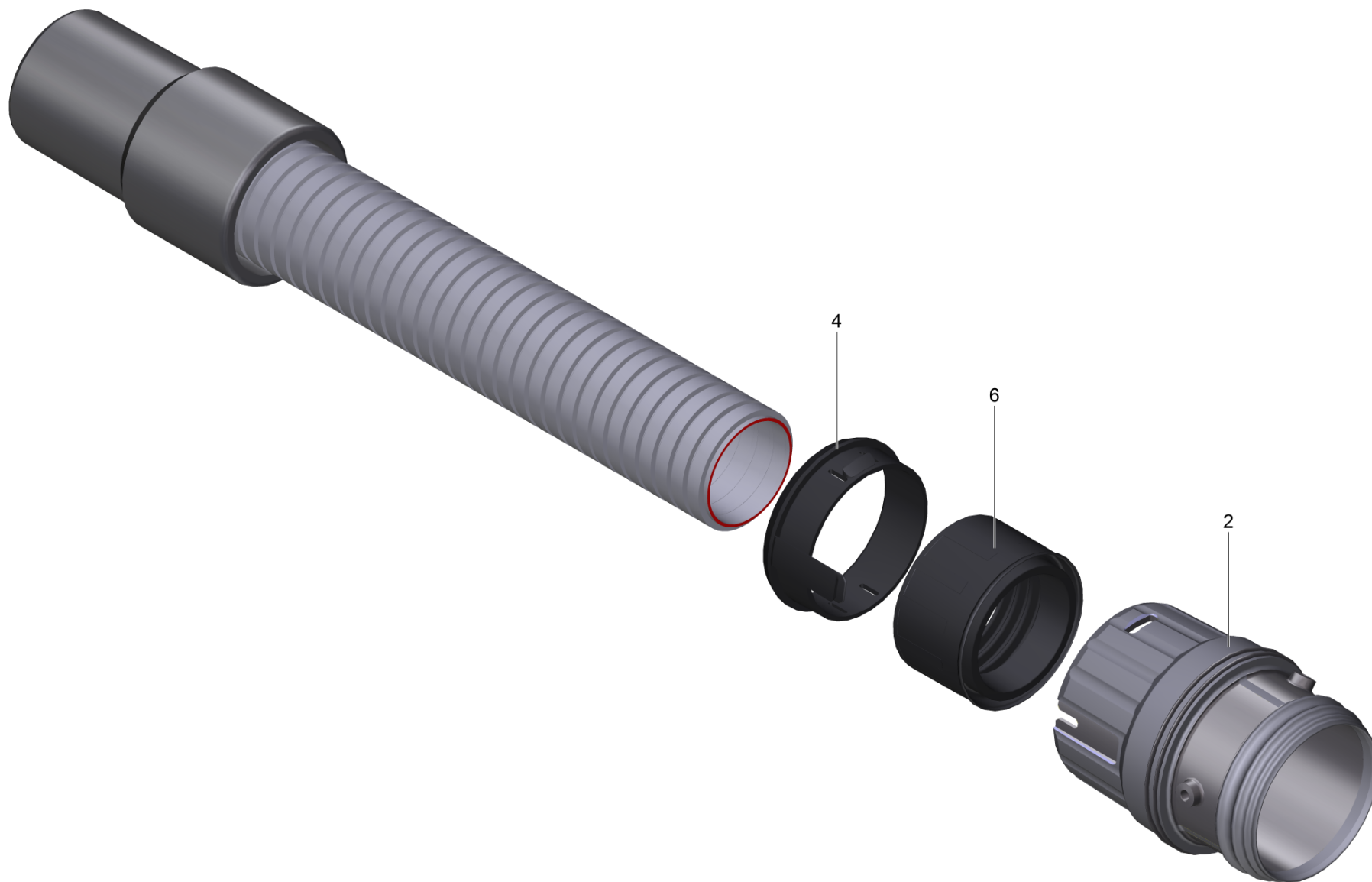
Nozzle metal packaged (2.130-002.0)

POS	Article no.	Description	Quantity	Unit
1		Nozzle mounted	1	PC
2	4.440-077.0	Hose complete 4.130-029.0	1	PC
3	5.043-040.0	Holder sheet metal component	1	PC
7	6.906-751.0	Rubber lip set	2	PC
11	7.306-198.0	Screw M 6x40-A2-70 (IN6RD)	4	PC
13	7.311-022.0	Hexagon nut M 6-A2-70 ISO 7040	4	PC
14	7.312-026.0	Washer 6 -A2 ISO 7089	4	PC



1 Nozzle mounted

POS	Article no.	Description	Quantity	Unit
13	4.071-758.0	Retaining bracket castor for replacement	1	PC
1	5.034-741.0	Strap lane nozzle	1	PC
2	5.130-400.0	Nozzle bottom part roadway	1	PC
6	5.332-433.0	Helical spring	3	PC
15	6.313-002.0	Spring clip 2,0	1	PC
10	6.321-187.0	Star grip D55 M10	3	PC
11	6.321-188.0	Star grip D40 M6	2	PC
12	6.435-724.0	Castor	2	PC
16	6.966-053.0	Castor	1	PC
20	7.304-549.0	Hexagonal head screw M 6x30-A4-70 ISO 4	2	PC
27	7.305-638.0	Countersunk screw M10x20 -A2-70 ISO 10642	2	PC
22	7.311-067.0	Hexagon nut M 6-A2-70 ISO 4032	2	PC
23	7.311-204.0	Hexagon nut M10 -A4-035 ISO 4035	4	PC
29	7.311-402.0	Cap nut M10-A1-50 DIN 1587	2	PC
30	7.311-524.0	Hexagon nut M10-A2-70 ISO 7040	1	PC
24	7.312-026.0	Washer 6 -A2 ISO 7089	2	PC
26	7.312-066.0	Washer 10 -A2 ISO 7089	1	PC
25	7.312-305.0	Spring washer B 6-FST-A2E DIN 137	2	PC
28	7.313-013.0	Spring washer B10-1.4310 DIN 127	2	PC



2 Hose complete 4.130-029.0 (4.440-077.0)

POS	Article no.	Description	Quantity	Unit
4	5.031-305.0	Snap-in ring anthracite NW40	1	PC
2	5.034-107.0	Suction connection bayonet NW40	1	PC
6	5.453-021.0	Joint ring NW40	1	PC