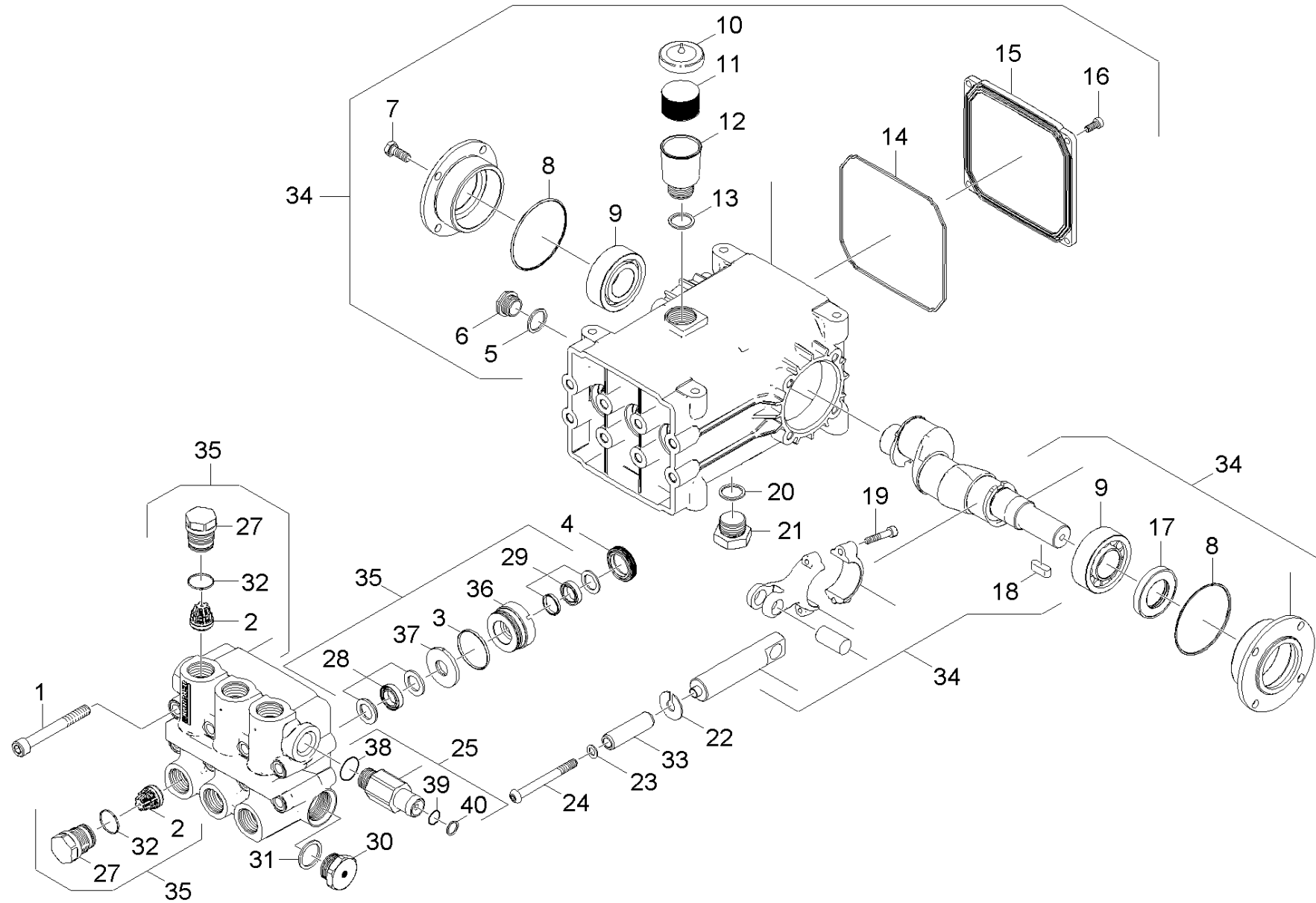


21 Piston

Overview technical documents/Professional/Industrial cleaning systems/Maximum pressure cleaners/HD 9/50-4 (1.367-156.0)/Spare parts list HD 9/50-4 400V/20 Pump set/21 Piston



21 Piston

Overview technical documents/Professional/Industrial cleaning systems/Maximum pressure cleaners/HD 9/50-4 (1.367-156.0)/Spare parts list HD 9/50-4 400V/20 Pump set/21 Piston

| Rez.daļas/nodil.pakļ.daļas | Poz. | Materiāla Nr. | Nosaukums | Daudzums | Pārdoš. vienība |
|----------------------------|------|---------------|---|----------|-----------------|
| | 0 | 3.533-134.0 | Pump set complete Hub25 D14 | 1.000 | ST |
| X | 1 | 7.306-807.0 | Cylinder head screw M10x85-8.8-A3E ISO4 | 8.000 | ST |
| X-X | 2 | 2.885-158.0 | Spare part set valve | 2.000 | ST |
| X-X | 3 | 6.362-377.0 | Gredzenblīve 38,0 X 2,0-NBR 70 | 3.000 | ST |
| X-X | 4 | 6.367-032.0 | Rotary shaft seal 24X 35-NBR | 3.000 | ST |
| | 5 | 6.362-585.0 | seal | 1.000 | ST |
| | 6 | 5.411-062.0 | Vītņtapa | 1.000 | ST |
| | 7 | 7.304-397.0 | Hexagonal head screw M8x20-8.8-A2E ISO | 8.000 | ST |
| | 8 | 6.362-887.0 | Gredzenblīve 65,0 X 2,5 | 2.000 | ST |
| X | 9 | 6.401-384.0 | Cylindere bearing NJ 2206 E P/C3 | 2.000 | ST |
| X-X | 10 | 5.064-457.0 | Cover qusty grey SAE 90 | 1.000 | ST |
| | 11 | 5.132-107.0 | Plug | 1.000 | ST |
| | 12 | 5.070-194.0 | Tank | 1.000 | ST |
| | 13 | 6.362-168.0 | o ring seal | 1.000 | ST |
| X | 14 | 6.363-257.0 | O-Ring seal | 1.000 | ST |
| | 15 | 5.064-154.0 | Cover | 1.000 | ST |
| | 16 | 7.306-030.0 | Screw M 6x14-A2-70 DIN 7984 | 4.000 | ST |
| X-X | 17 | 6.367-099.0 | Rotary shaft seal 52x30 | 1.000 | ST |
| X | 18 | 7.318-038.0 | Parallel key 8x7x40-C45R DIN 6885 | 1.000 | ST |
| | 19 | 7.306-024.0 | Cylinder head screw M6x30 -8.8-A2E ISO4 | 6.000 | ST |
| X-X | 20 | 6.363-319.0 | O-Ring seal 21,5X3,2 | 1.000 | ST |
| | 21 | 5.411-177.0 | Screw plug | 1.000 | ST |
| X-X | 22 | 5.116-327.0 | Washer lift 25 D14 | 3.000 | ST |
| X-X | 23 | 5.116-370.0 | Joint ring | 3.000 | ST |
| X-X | 24 | 7.306-259.0 | Screw M6x70 -A4-70 ISO 7380 | 3.000 | ST |

21 Piston

Overview technical documents/Professional/Industrial cleaning systems/Maximum pressure cleaners/HD 9/50-4 (1.367-156.0)/Spare parts list HD 9/50-4 400V/20 Pump set/21 Piston

| Rez.daļas/nodil.pakļ.dajas | Poz. | Materiāla Nr. | Nosaukums | Daudzums | Pārdoš. vienība |
|----------------------------|------|---------------|----------------------------|----------|-----------------|
| X-X | 25 | 4.590-095.0 | Safety valve 64 MPa | 1.000 | ST |
| | 27 | 5.583-204.0 | Valve screw | 6.000 | ST |
| X-X | 28 | 6.365-538.0 | Blīvju komplekts | 3.000 | ST |
| X-X | 29 | 6.365-539.0 | Blīvju komplekts | 3.000 | ST |
| | 30 | 5.409-609.0 | Drain plug 1" | 1.000 | ST |
| | 31 | 6.363-437.0 | O-Ring seal 30x3 | 1.000 | ST |
| X-X | 32 | 6.363-513.0 | O-Ring seal 14x2 PUR 94 | 6.000 | ST |
| X-X | 33 | 5.111-044.0 | Sleeve D14 | 3.000 | ST |
| X | 34 | 3.626-014.0 | Gear Hub 25 D14 | 1.000 | ST |
| | 35 | 4.550-936.0 | Cylinder head complete D14 | 1.000 | ST |
| X-X | 36 | 5.511-011.0 | Screw plug D14 | 3.000 | ST |
| X-X | 37 | 5.112-819.0 | Bush D14 | 3.000 | ST |
| | 38 | 6.362-079.0 | Gredzenblīve 18,0 X 2,5 | 1.000 | ST |
| X-X | 39 | 6.362-170.0 | ring o seal | 1.000 | ST |
| | 40 | 7.312-073.0 | Washer 8 -CuZn ISO 7092 | 1.000 | ST |
| X-X | 100 | 2.885-140.0 | Spare part set | 1.000 | ST |