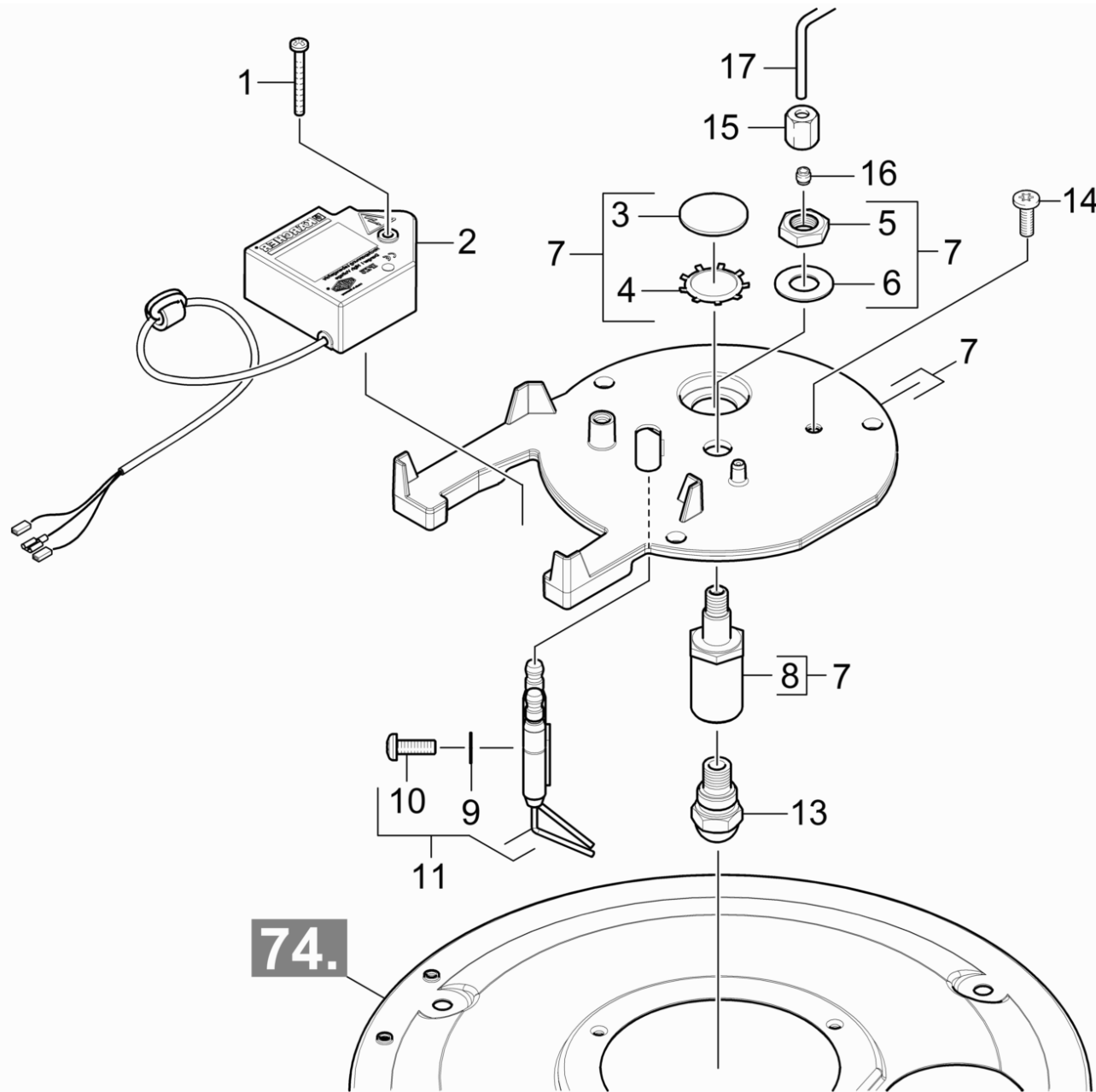


72 Burner cover

Professional \ High pressure cleaner hotwater \ Electric motor \ HDS 10/20-4 M *EU-I \ HDS 10/20-4 M *EU-I TV 01.01.2018 \ Flow heater \ Burner cover



72 Burner cover

Professional \ High pressure cleaner hotwater \ Electric motor \ HDS 10/20-4 M *EU-I \ HDS 10/20-4 M *EU-I TV 01.01.2018 \ Flow heater \ Burner cover

KÄRCHER

POS	Article no.	Description	Quantity	Unit	Foot note text
1	7.303-240.0	Screw M5x40-ST-A2E (In6RD)	1	PC	
2	4.622-038.0	Ignition transformer only for replacemen	1	PC	
3	6.278-018.0	Glass pane	1	PC	
4	6.343-165.0	Serrated ring	1	PC	
5	7.311-101.0	Hexagon nut M10x1 -04-A2E ISO 8675	1	PC	
6	7.312-302.0	Spring washer B10-FST-A2E DIN 137	1	PC	
7	4.654-288.0	Cover pressure boiler only for replaceme	1	PC	
8	5.667-055.0	Nozzle holder	1	PC	
9	7.312-304.0	Spring washer B 5-FST-A2E DIN 137	1	PC	
10	7.306-217.0	Screw M5x14 -8.8-R2R (In6Rd)	1	PC	
11	2.638-974.0	Conversion kit ignition electrode	1	PC	
13	6.415-641.0	Nozzle	1	PC	
14	7.303-038.0	Screw M5x12 -St-P2R (In6Rd)	3	PC	
15	6.389-262.0	Union nut A 4-LL	1	PC	
16	6.389-263.0	Cutting ring d.4	1	PC	
17	5.423-008.0	Conduit fuel	1	PC	VERSION 2