

Spare parts list

(1.139-103.0) BR VS 400-PA-3L *EU

Table of contents

| | |
|--------------------------------------|----|
| BR VS 400-PA-3L *EU (1.139-103.0) | 3 |
| Spare parts list BR VS (5.958-324.0) | 4 |
| 10 Shearing shackle | 5 |
| 11 Shearing shackle | 6 |
| 12 Control system | 9 |
| 20 Electronics and pump | 11 |
| 30 Power brush individual parts | 14 |
| 31 Power brush individual parts | 15 |
| 32 Tank | 18 |
| 33 Housing | 20 |
| 40 Power brush gear | 22 |
| 41 Power brush gear | 23 |
| 42 Bottom plate | 27 |
| 50 Accessories pad roll | 29 |
| 3 Hub pad roll BR VS (5.120-313.0) | 31 |

BR VS 400-PA-3L *EU (1.139-103.0)

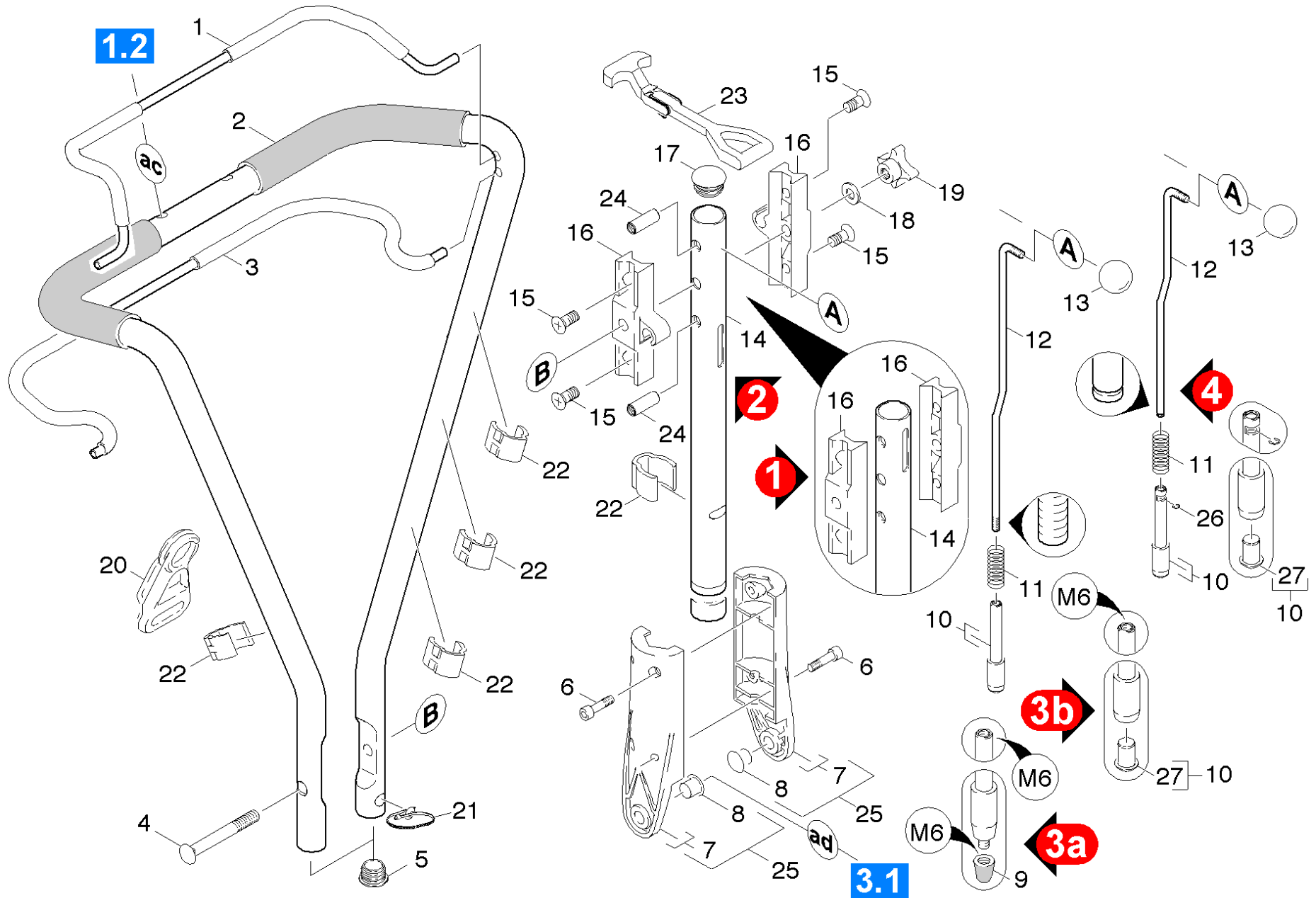
| POS | Article no. | Description | Quantity | Unit |
|-----|----------------------|------------------------|----------|------|
| 0 | 5.958-324.0 | Spare parts list BR VS | 1.000 | ST |
| | Item text2: 11391030 | | | |

Spare parts list BR VS (5.958-324.0)

| POS | Description | Quantity | Unit |
|------------|------------------------------|-----------------|-------------|
| 50 | Accessories pad roll | 1.000 | ST |
| 20 | Electronics and pump | 1.000 | ST |
| 40 | Power brush gear | 1.000 | ST |
| 30 | Power brush individual parts | 1.000 | ST |
| 10 | Shearing shackle | 1.000 | ST |

10 Shearing shackle

| POS | Description | Quantity | Unit |
|------------|--------------------|-----------------|-------------|
| 12 | Control system | 1.000 | ST |
| 11 | Shearing shackle | 1.000 | ST |

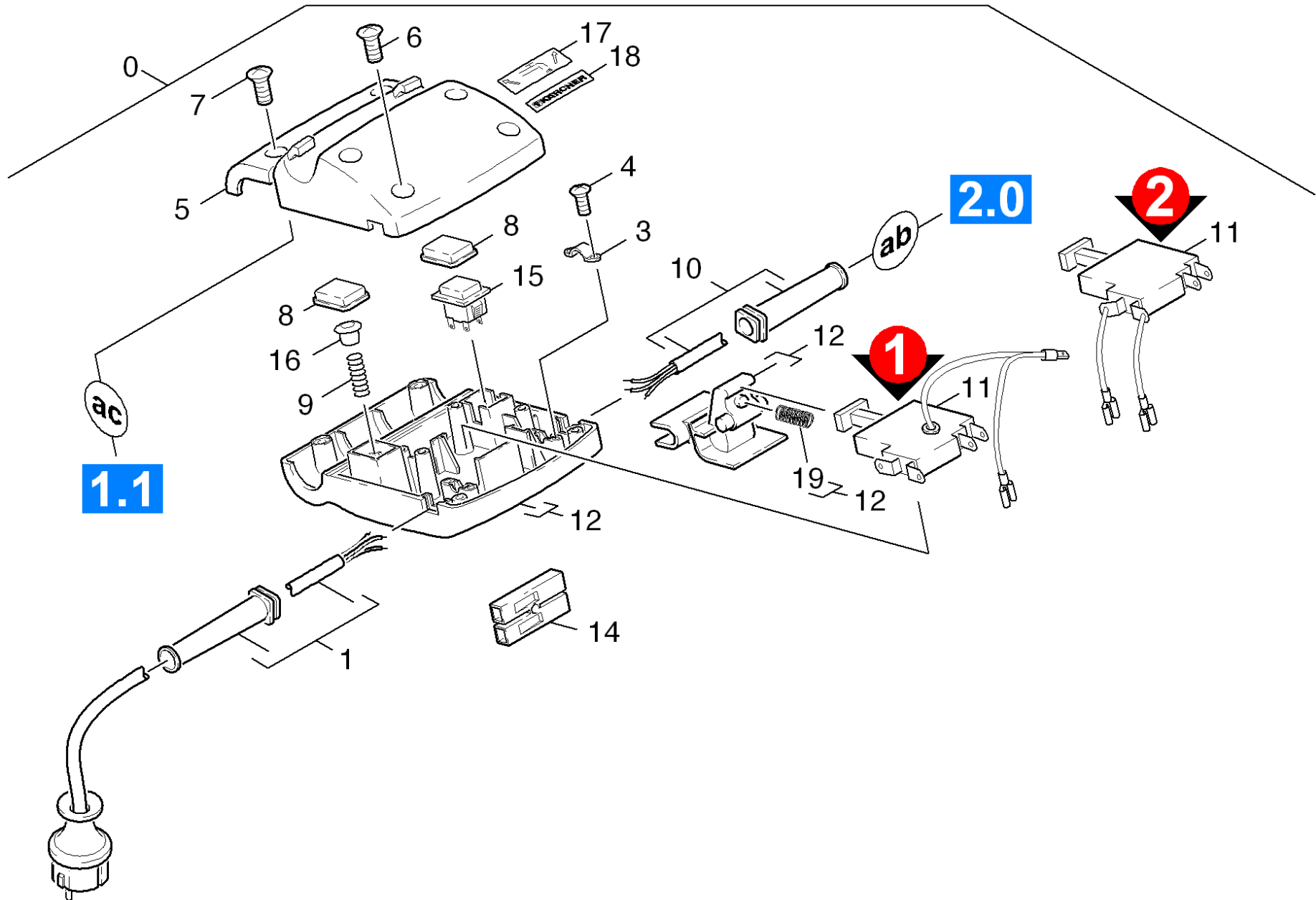


11 Shearing shackle

| POS | Article no. | Description | Quantity | Unit | Serial number from | Serial number to | Foot note text |
|-----|-------------|---|----------|------|--------------------|------------------|----------------|
| 12 | 5.107-201.0 | Bar notch push handle | 1.000 | ST | | 20000 | VERSION 3 |
| 12 | 5.107-216.0 | Bar notch push handle BR VS 400 | 1.000 | ST | 20001 | | VERSION 4 |
| 22 | 5.839-408.0 | Cable clip | 5.000 | ST | | | |
| 21 | 6.647-724.0 | Cable tape | 5.000 | ST | | | |
| 27 | 5.368-002.0 | Cap bolt | 1.000 | ST | | | |
| 9 | 5.368-001.0 | Cap bolt BR VS | 1.000 | ST | | | |
| 16 | 5.031-531.0 | Clamping part | 2.000 | ST | | 20000 | |
| 16 | 5.031-793.0 | Clamping part push handle BR VS 400 | 2.000 | ST | 20001 | | |
| 15 | 7.305-637.0 | Countersunk screw M8x16-A2-70 ISO 10642 | 4.000 | ST | | | |
| 6 | 7.306-025.0 | Cylinder head screw M 6x35-8.8-A2E ISO4 | 4.000 | ST | | | |
| 5 | 6.368-196.0 | Drain plug | 2.000 | ST | | | |
| 8 | 6.347-084.0 | Flanged bushing | 2.000 | ST | | | |
| 11 | 5.332-320.0 | Helical spring | 1.000 | ST | | | |
| 10 | 4.316-021.0 | Index bolt with cap female thread | 1.000 | ST | | 20000 | VERSION 3 |
| 10 | 4.316-022.0 | Index bolt with cap lock washer | 1.000 | ST | 20001 | | VERSION 4 |
| 26 | 7.343-305.0 | Lock washer 3,2-A2 DIN 6799 | 1.000 | ST | | | |
| 7 | 5.031-506.0 | Moulded part push handle | 2.000 | ST | | 20000 | |
| 17 | 6.385-783.0 | Plug | 1.000 | ST | | | |
| 25 | 4.031-022.0 | Retainer push handle complete | 1.000 | ST | 20001 | | |
| 14 | 5.034-552.0 | Retaining bracket bottom part | 1.000 | ST | | 20000 | |
| 14 | 5.034-618.0 | Retaining bracket bottom part BR VS 400 | 1.000 | ST | 20001 | | |
| 3 | 4.034-105.0 | Retaining bracket motor complete | 1.000 | ST | | | |
| 1 | 4.034-106.0 | Retaining bracket pump complete | 1.000 | ST | | | |
| 2 | 4.034-104.0 | Retaining bracket top part complete nur | 1.000 | ST | | | |
| 4 | 7.303-137.0 | Saucer-head screw M10x120-ST-A0P DIN 60 | 1.000 | ST | | | |

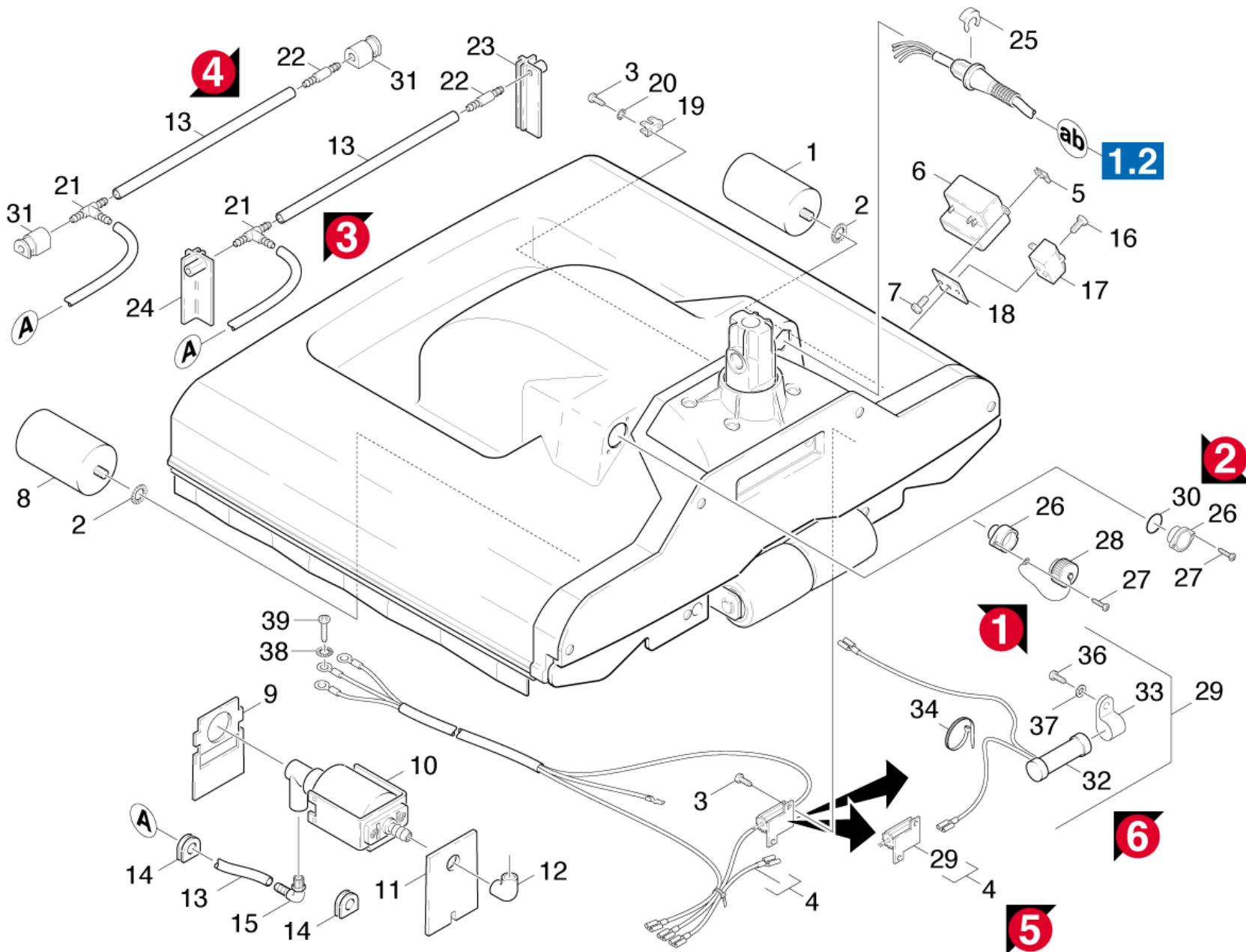
11 Shearing shackle

| POS | Article no. | Description | Quantity | Unit | Serial number from | Serial number to | Foot note text |
|-----|-------------|-----------------------------------|----------|------|--------------------|------------------|----------------|
| 24 | 5.110-825.0 | Sleeve with female thread | 2.000 | ST | 20001 | | |
| 13 | 7.321-030.0 | Spherical head C 25-KU.sw DIN 319 | 1.000 | ST | | | |
| 19 | 6.321-028.0 | Star grip DIN 6336 | 1.000 | ST | | | |
| 20 | 6.641-776.0 | Strain relief | 1.000 | ST | | | |
| 23 | 4.373-001.0 | Tensioning piece complete | 1.000 | ST | 20001 | | |
| 18 | 7.312-005.0 | Washer 10-200HV-A3E ISO 7090 | 2.000 | ST | | | |



12 Control system

| POS | Article no. | Description | Quantity | Unit | Serial number from | Serial number to | Foot note text |
|-----|-------------|--|----------|------|--------------------|------------------|----------------|
| 3 | 6.373-319.0 | Cable clamp R 8 | 2.000 | ST | | | |
| 1 | 4.822-086.0 | Cable harness with plug | 1.000 | ST | 23687 | | |
| 10 | 4.822-085.0 | Cable harness with rubber bushing BR VAR | 1.000 | ST | | 13842 | |
| 10 | 6.648-171.0 | Cable with rubber bushing BR VS | 1.000 | ST | 13843 | | |
| 10 | 6.648-367.0 | Cable with rubber bushing BR VS 400 | 1.000 | ST | 23687 | | |
| 8 | 6.631-618.0 | Cap | 2.000 | ST | | | |
| 12 | 2.882-465.0 | Conversion kit switch housing BR VS | 1.000 | ST | | 13842 | |
| 19 | 5.332-462.0 | Helical spring | 1.000 | ST | | | |
| 9 | 5.332-447.0 | Helical spring 0,63X10X28X5,5 | 1.000 | ST | | | |
| 5 | 5.031-507.0 | Housing push handle above | 1.000 | ST | | | |
| 12 | 4.031-012.0 | Housing push handle bottom | 1.000 | ST | 13843 | | |
| 0 | 4.605-062.0 | Housing switch | 1.000 | ST | 23687 | | |
| 0 | 4.605-040.0 | Housing switch | 1.000 | ST | | 13842 | |
| 0 | 4.605-048.0 | Housing switch complete BR VS | 1.000 | ST | 13843 | | |
| 14 | 6.648-094.0 | Insulation sheath double 6,3 | 1.000 | ST | 23687 | | |
| 18 | | Label | 1.000 | ST | | 13842 | |
| 17 | 5.383-348.0 | Label pump EIN BR-VARIO | 1.000 | ST | | 13842 | |
| 11 | 6.630-133.0 | Main switch | 1.000 | ST | 13843 | | VERSION 1 |
| 11 | 6.630-225.0 | Main switch | 1.000 | ST | 23687 | | VERSION 2 |
| 16 | 6.368-311.0 | Plug 8,5 | 1.000 | ST | | | |
| 15 | 6.631-748.0 | Pushbutton | 1.000 | ST | 13843 | | |
| 15 | 6.630-162.0 | Pushbutton with illumination | 1.000 | ST | 23687 | | |
| 4 | 7.303-102.0 | Screw 3,5x12 -A2-70-bk (In6Rd) | 4.000 | ST | | | |
| 7 | 6.303-200.0 | Screw 5x25-IN6RD | 2.000 | ST | | | |
| 6 | 7.303-363.0 | Sheet metal screw ST3,5X16,0-A2-20H-C-H | 6.000 | ST | | | |



20 Electronics and pump

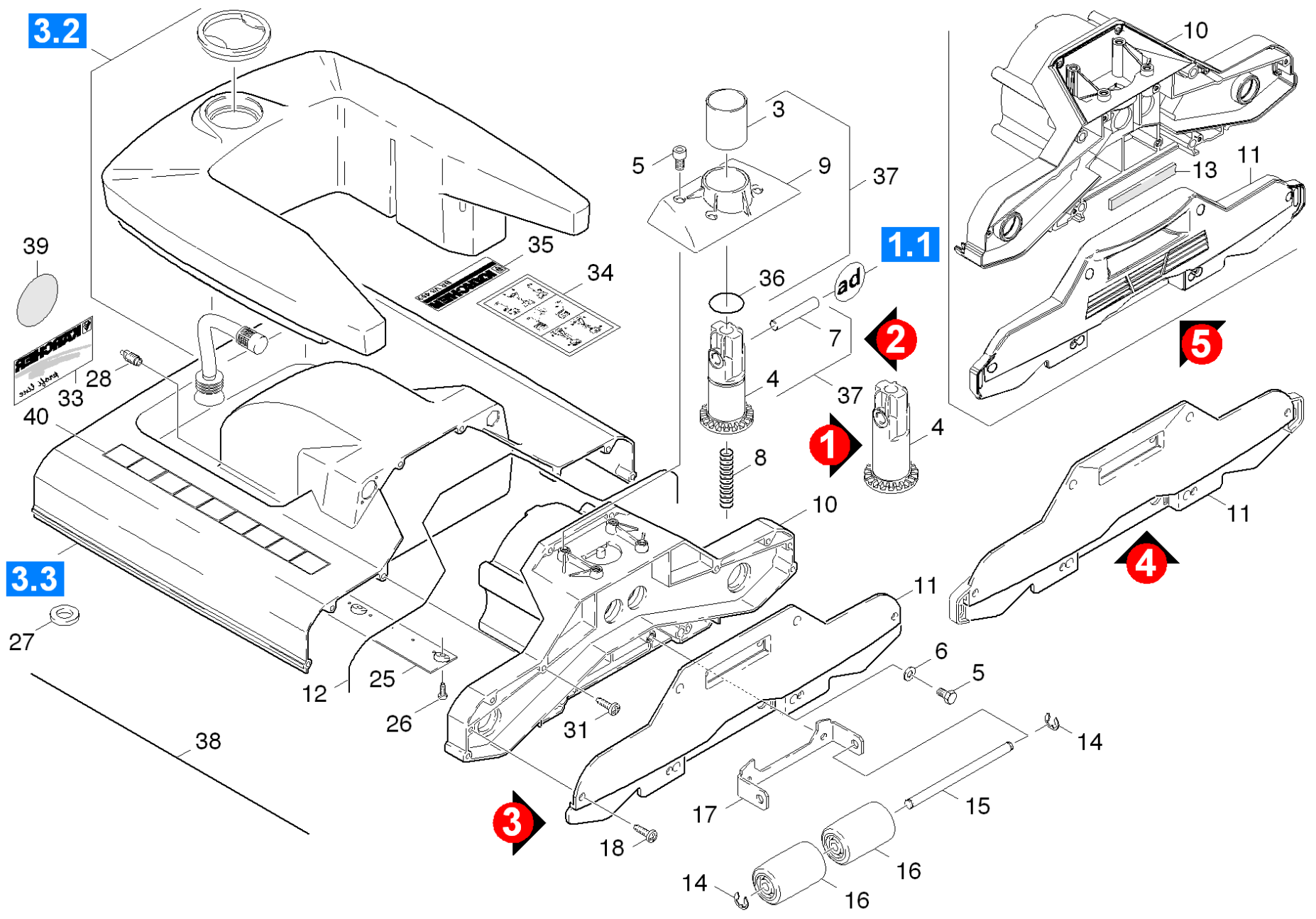
| POS | Article no. | Description | Quantity | Unit | Serial number from | Serial number to | Remark | Foot note text |
|-----|---|--------------------------------------|----------|------|--------------------|------------------|---------|-----------------------|
| 15 | 6.388-421.0 | Angle bushing 1/8" | 1.000 | ST | | | | |
| 14 | 6.648-064.0 | Cable bushing | 2.000 | ST | | | | |
| 4 | 4.822-141.0 | Cable harness BR VS 400 | 1.000 | ST | | | VERS. 6 | |
| 4 | 4.822-079.0 | Cable harness with resistor BR-VARIO | 1.000 | ST | | 13842 | | |
| 34 | 6.641-463.0 | Cable tape | 3.000 | ST | | | VERS. 6 | |
| 8 | 6.661-212.0 | Capacitor | 1.000 | ST | | | | |
| 1 | 6.661-213.0 | Capacitor 95 MF | 1.000 | ST | | | | |
| 33 | 6.373-801.0 | Clamp 15/12 | 1.000 | ST | 22904 | | VERS. 6 | |
| 29 | 2.640-163.0 | Conversion kit Widerstand | 1.000 | ST | | | VERS. 5 | |
| 26 | 5.063-919.0 | Cover plug socket | 1.000 | ST | 13843 | | VERS. 2 | |
| 19 | 6.646-405.0 | Distributor plug | 1.000 | ST | | | | |
| 18 | 5.044-229.0 | Holder contact strip | 1.000 | ST | | 13842 | | |
| 9 | 5.044-149.0 | Holder pump Drucks. | 1.000 | ST | | | | |
| 11 | 5.044-148.0 | Holder Saugpumpe | 1.000 | ST | | | | |
| 13 | 6.388-216.0 | Hose DN 5 | 1.000 | M | | | | TO ORDER AS CUT GOODS |
| 22 | 6.390-322.0 | Hose nozzle straight | 1.000 | ST | | | | |
| 10 | 6.473-405.0 | Motor pump 60 HZ | 1.000 | ST | | | | |
| | Item text1: / 1.139-107.0 / -307.0 | | | | | | | |
| 10 | 6.473-383.0 | Motor pump Schwin gkolbenpumpe | 1.000 | ST | | | | |
| | Item text1: / 1.139-101.0 / -103.0 | | | | | | | |
| 30 | 6.362-599.0 | O-Ring seal 20,35X 1,78 -NBR 70 | 1.000 | ST | | | | |
| 26 | 6.646-431.0 | Plug socket two-pole BR VS 400 | 1.000 | ST | 13843 | | VERS. 1 | |
| 28 | 6.368-279.0 | Protecting cap | 1.000 | ST | | | | |
| 32 | 6.652-035.0 | Resistor | 1.000 | ST | | | VERS. 6 | |
| 25 | 6.343-170.0 | Retaining clip | 1.000 | ST | | | | |
| 12 | 5.379-026.0 | Rubber bushing rubber angle BR VS | 1.000 | ST | | | | |
| 27 | 7.303-092.0 | Screw 3x12 | 2.000 | ST | | | | |

20 Electronics and pump

| POS | Article no. | Description | Quantity | Unit | Serial number from | Serial number to | Remark | Foot note text |
|-----|-------------|--|----------|------|--------------------|------------------|---------|----------------|
| | | -10.9-R2R (K-In6Rd) | | | | | | |
| 3 | 7.303-027.0 | Screw M3x6-ST-R2R (IN6RD) | 4.000 | ST | | | | |
| 36 | 7.306-203.0 | Screw M 3X 8-A2-70 (IN6RD) | 1.000 | ST | | | VERS. 6 | |
| 39 | 7.303-038.0 | Screw M5x12 -St-P2R (In6Rd) | 1.000 | ST | | | | |
| 31 | 5.363-546.0 | Seal distributor water | 2.000 | ST | 21311 | | VERS. 4 | |
| 24 | 5.363-427.0 | Seal left | 1.000 | ST | | 21310 | VERS. 3 | |
| 23 | 5.363-428.0 | Seal right | 1.000 | ST | | 21310 | VERS. 3 | |
| 20 | 7.312-234.0 | Serrated lock washer A3,2 -FSt-A3E DIN6 | 2.000 | ST | | | | |
| 38 | 7.312-231.0 | Serrated lock washer A5,3 -FSt-A3E DIN6 | 1.000 | ST | | | | |
| 2 | 7.312-233.0 | Serrated lock washer A8,4-FSt-A3E DIN67 | 2.000 | ST | | | | |
| 16 | 7.303-065.0 | Sheet metal screw ST3,5X25-ST-A2R (IN6R) | 1.000 | ST | | 13842 | | |
| 7 | 7.303-072.0 | Sheet metal screw ST4,2X13-ST-R2R (IN6R) | 1.000 | ST | | | | |
| 5 | 6.310-044.0 | Speed nut | 1.000 | ST | | | | |
| 6 | 4.612-001.0 | Starting relay sealed for IBMEI 1,4kW | 1.000 | ST | | | | |
| 4 | 7.777-999.0 | Stockpiling discontinued | 1.000 | ST | 13843 | | | |
| 26 | 7.777-999.0 | Stockpiling discontinued | 1.000 | ST | | 13842 | VERS. 1 | |
| 17 | 6.643-704.0 | Strip terminal two-pole | 1.000 | ST | | 13842 | | |
| 21 | 6.388-409.0 | T-Hose nozzle | 1.000 | ST | | | | |
| 37 | 7.312-280.0 | Washer 3 -200HV-A2E ISO7093-1 | 1.000 | ST | | | VERS. 6 | |

30 Power brush individual parts

| POS | Description | Quantity | Unit |
|------------|------------------------------|-----------------|-------------|
| 33 | Housing | 1.000 | ST |
| 31 | Power brush individual parts | 1.000 | ST |
| 32 | Tank | 1.000 | ST |

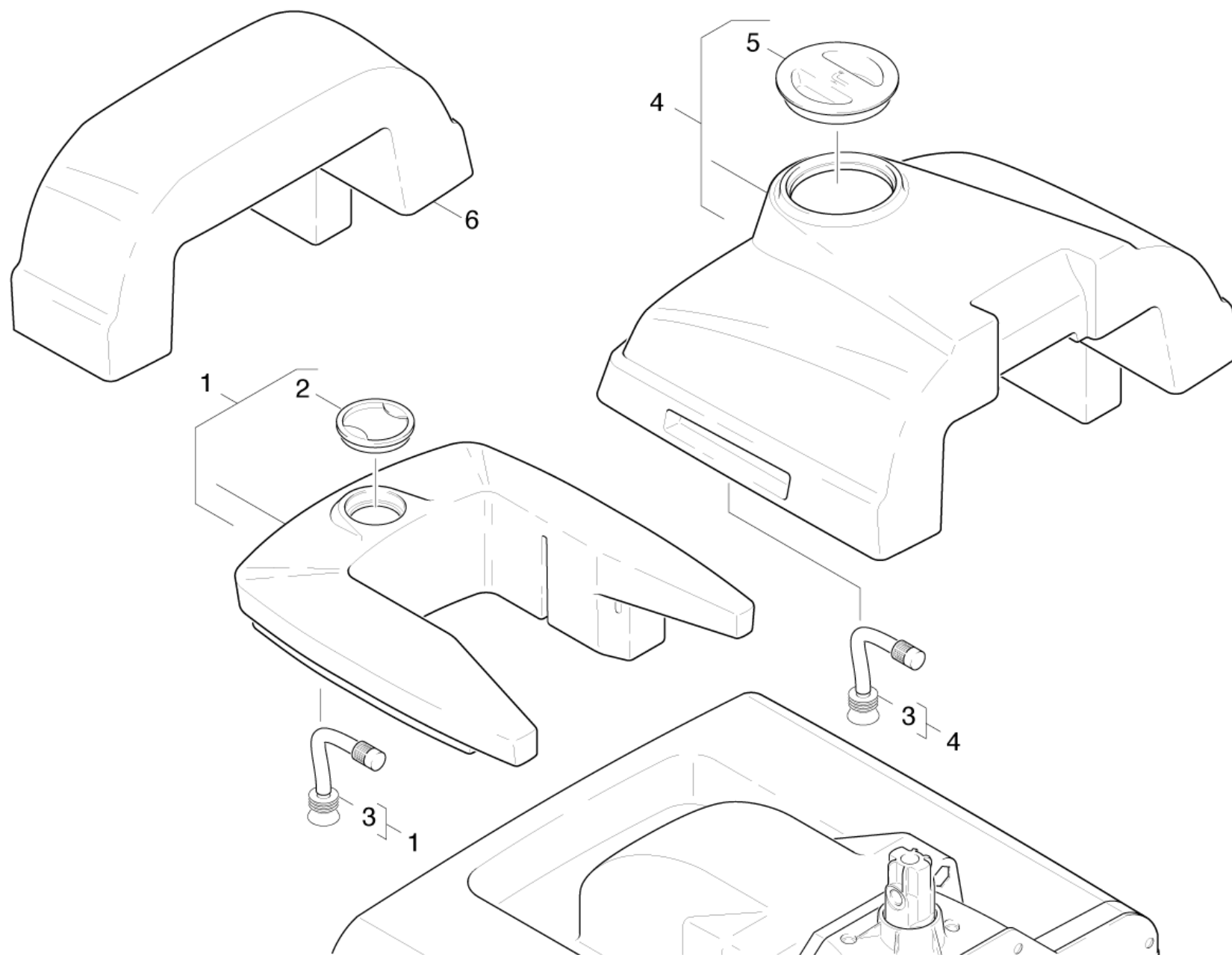


31 Power brush individual parts

| POS | Article no. | Description | Quantity | Unit | Serial number from | Serial number to | Foot note text |
|-----|-------------|--|----------|------|--------------------|------------------|-----------------------|
| 15 | 5.105-267.0 | Axle | 1.000 | ST | | | |
| 7 | 5.316-852.0 | Bolt joint push handle | 1.000 | ST | | | |
| 10 | | Carrier motor BR VS | 1.000 | ST | | | |
| 10 | 5.032-787.0 | Carrier motor BR VS 400 | 1.000 | ST | | | VERSION 5 |
| 16 | 6.435-430.0 | Castor grey D45 | 2.000 | ST | | | HARD |
| 11 | 5.031-585.0 | Covering cap belt | 1.000 | ST | | 21534 | VERSION 3 |
| 11 | 5.031-951.0 | Covering cap belt BR VS 400 | 1.000 | ST | 21535 | | VERSION 4 |
| 11 | 5.032-786.0 | Covering cap belt BR VS 400 | 1.000 | ST | | | VERSION 5 |
| 5 | 7.306-040.0 | Cylinder head screw M8x16 -8.8-A2E ISO4 | 6.000 | ST | | | |
| 27 | 5.362-002.0 | Gasket disc 14x25x6 | 1.000 | ST | | | |
| 9 | 5.031-487.0 | Housing cover | 1.000 | ST | | | |
| 37 | 4.031-020.0 | Joint push handle complete | 1.000 | ST | | | |
| 40 | 5.423-296.0 | Label | 1.000 | ST | | | |
| 35 | 5.392-057.0 | Label BR VS 400 | 1.000 | ST | | | |
| 34 | 5.383-290.0 | Label HOLM BR VS | 1.000 | ST | | 21534 | |
| 33 | 5.383-592.0 | Label PROFI LINE | 1.000 | ST | | | |
| 34 | 5.384-232.0 | Label push handle BR VS | 1.000 | ST | 21535 | | |
| 14 | 7.343-303.0 | Locking ring 8-A2 DIN 6799 | 2.000 | ST | | | |
| 4 | 5.031-811.0 | Moulded part | 1.000 | ST | | | VERSION 1 |
| 4 | 5.031-811.0 | Moulded part | 1.000 | ST | | | VERSION 2 |
| 36 | 6.362-605.0 | O-Ring seal 36,17x 2,62 | 1.000 | ST | | | VERSION 2 |
| 28 | 5.108-192.0 | Pin valve | 1.000 | ST | | | |
| 3 | 6.403-042.0 | Plain bearing 40/44x50 | 1.000 | ST | | | |
| 8 | 6.330-140.0 | Pressure spring | 1.000 | ST | | | |
| 16 | 6.435-341.0 | Roller D45 | 2.000 | ST | | | |
| 26 | 7.303-104.0 | Screw 5x16 -A2-70 (In6RD) | 8.000 | ST | | | |
| 31 | 7.303-105.0 | Screw 5x25 -A2-70-bk (In6Rd) | 8.000 | ST | | | |
| 18 | 7.303-038.0 | Screw M5x12 -St-P2R (In6Rd) | 6.000 | ST | | | |
| 13 | 6.273-043.0 | Sealing tape cellularrubber 9x4 | 1.000 | M | | | TO ORDER AS CUT GOODS |
| 13 | 2.273-000.0 | Sealing tape cellularrubber 9x4, 20m | 1.000 | ST | | | |
| 12 | 6.273-037.0 | Seal string cellular rubber 3 | 1.000 | M | | | TO ORDER AS CUT GOODS |
| 38 | 5.362-004.0 | Seal string D 2 | 2.000 | ST | | | |

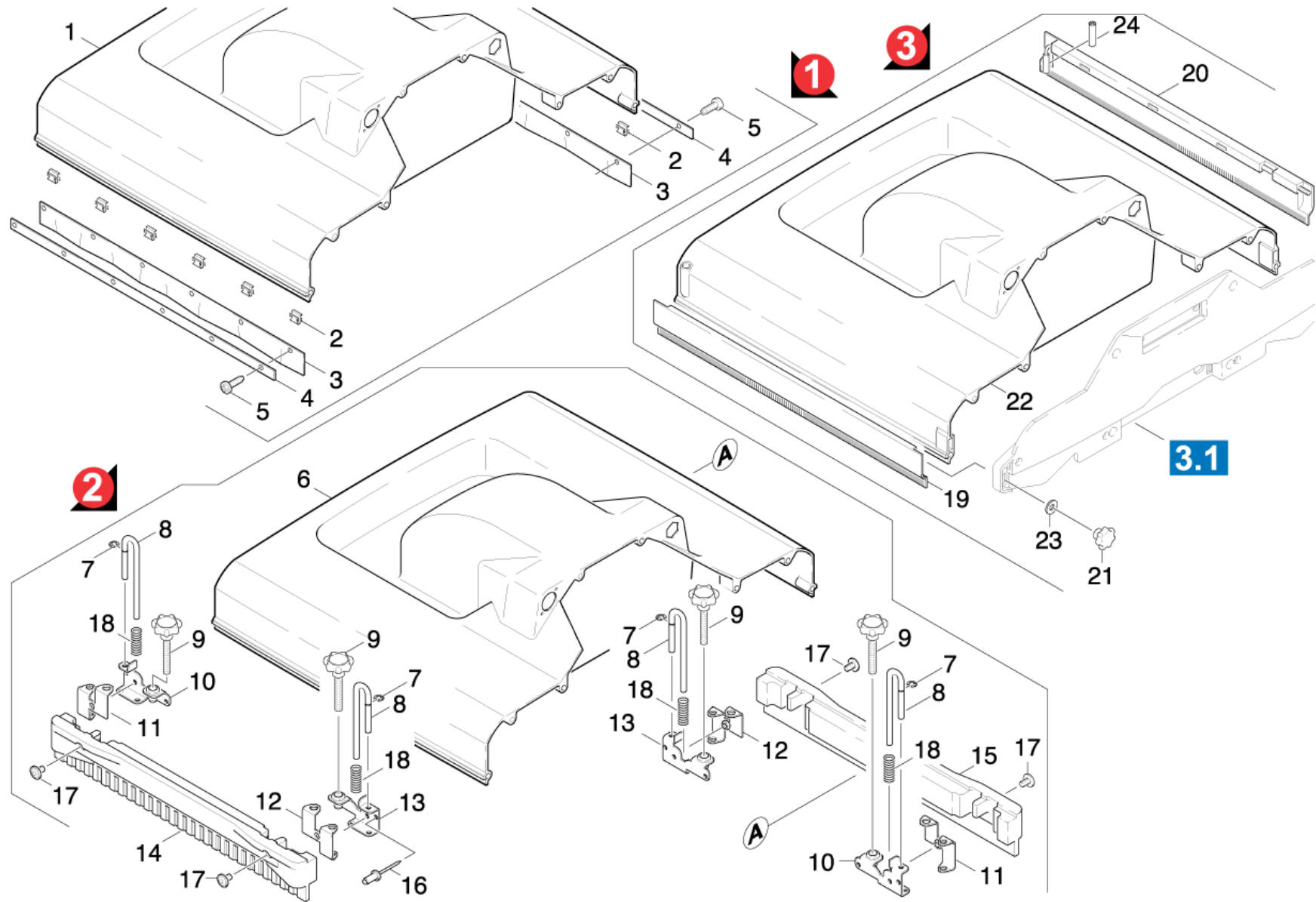
31 Power brush individual parts

| POS | Article no. | Description | Quantity | Unit | Serial number from | Serial number to | Foot note text |
|-----|-------------|------------------------------------|----------|------|--------------------|------------------|----------------|
| 17 | 5.048-081.0 | Sheet metal component holder wheel | 1.000 | ST | | | |
| 25 | 7.777-999.0 | Stockpiling discontinued | 2.000 | ST | | | |
| 39 | 5.380-678.0 | Warning sign BR VS 400 | 1.000 | ST | | | |
| 6 | 7.312-004.0 | Washer 8 -200HV-A3E ISO 7090 | 2.000 | ST | | | |



32 Tank

| POS | Article no. | Description | Quantity | Unit |
|-----|----------------------------------|-------------------------------------|----------|------|
| 1 | 2.639-080.0 | Add-on kit tank 3 L | 1.000 | ST |
| 6 | 5.031-790.0 | Additional weight 7KG BR VS 400 | 1.000 | ST |
| 5 | 5.063-650.0 | Cover | 1.000 | ST |
| | Item text1: //2.639-081.0 | | | |
| 2 | 6.368-204.0 | Drain plug -D50 | 1.000 | ST |
| | Item text1: //2.639-080.0 | | | |
| 4 | 2.639-081.0 | Tank add-on kit 10L | 1.000 | ST |
| 3 | 4.580-356.0 | Valve tank complete nur fuer Ersatz | 1.000 | ST |

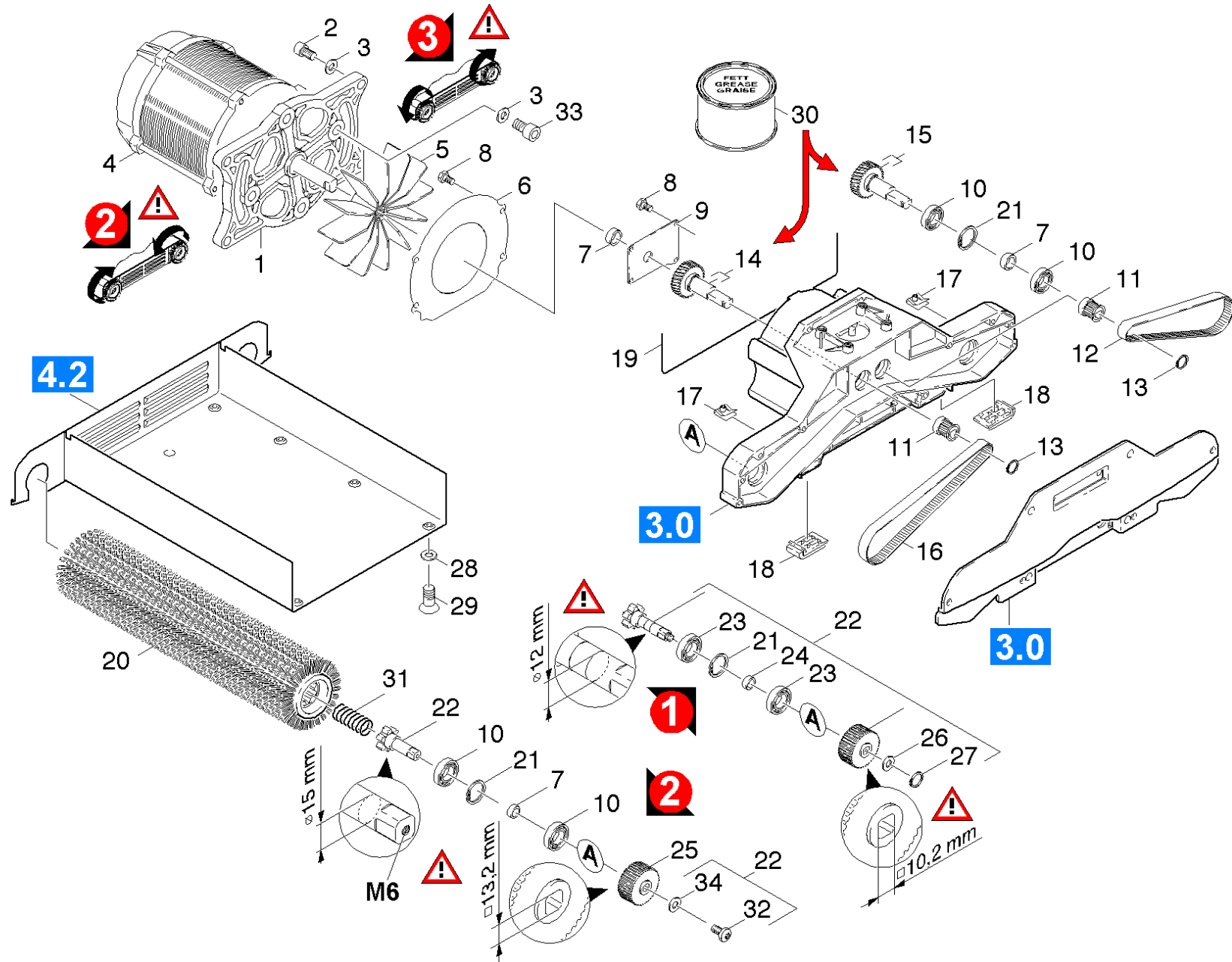


33 Housing

| POS | Article no. | Description | Quantity | Unit | Serial number from | Serial number to | Foot note text |
|-----|-------------|---|----------|------|--------------------|------------------|-----------------------|
| 9 | 6.304-143.0 | Adjusting screw splash guard BR VS | 4.000 | ST | 20001 | 21534 | |
| 16 | 6.315-023.0 | Blind rivet 4,0 | 12.000 | ST | 20001 | 21534 | |
| 6 | 5.060-904.0 | Brush housing | 1.000 | ST | 21311 | 21534 | |
| 22 | 5.060-889.0 | Brush housing | 1.000 | ST | 21535 | | |
| 18 | 5.332-082.0 | Helical spring | 4.000 | ST | 20001 | 21534 | |
| 10 | 4.044-019.0 | Holder complete VL/HR | 2.000 | ST | 20001 | 21534 | |
| 13 | 4.044-020.0 | Holder complete VR/HL | 2.000 | ST | 20001 | 21534 | |
| 24 | 6.389-490.0 | Hose silicon -4X1,5 | 1.000 | M | | | TO ORDER AS CUT GOODS |
| 7 | 7.343-200.0 | Lock washer 5-FST-PHR DIN 6799 | 4.000 | ST | 20001 | 21534 | |
| 17 | 6.304-142.0 | Oval head screw M 5X 8 | 4.000 | ST | 20001 | 21534 | |
| 11 | 5.263-069.0 | Plate guide splash guard VLHR BR VS | 2.000 | ST | 20001 | 21534 | |
| 12 | 5.263-070.0 | Plate guide splash guard VRHL BR VS | 2.000 | ST | 20001 | 21534 | |
| 4 | 5.006-118.0 | Plate splash guard BR-VARIO | 2.000 | ST | | 20000 | |
| 8 | 5.034-630.0 | Retaining bracket splash guard BR VS 40 | 4.000 | ST | 20001 | 21534 | |
| 5 | 7.303-138.0 | Sheet metal screw ST4,2X9,5-A2-70-SCHW (| 12.000 | ST | | 20000 | |
| 2 | 6.310-044.0 | Speed nut | 12.000 | ST | | 20000 | |
| 3 | 5.394-519.0 | Splash guard BRVARIO | 2.000 | ST | | 20000 | |
| 19 | 4.394-313.0 | Splash guard complete left | 1.000 | ST | 21535 | | |
| 20 | 4.394-314.0 | Splash guard complete right | 1.000 | ST | 21535 | | |
| 14 | 5.394-559.0 | Splash guard left BR VS 400 | 1.000 | ST | 20001 | 21534 | |
| 15 | 5.394-560.0 | Splash guard right BR VS 400 | 1.000 | ST | 20001 | 21534 | |
| 21 | 6.321-163.0 | Star grip | 2.000 | ST | 21535 | | |
| 1 | 7.777-999.0 | Stockpiling discontinued | 1.000 | ST | | 20000 | |
| 6 | 7.777-999.0 | Stockpiling discontinued | 1.000 | ST | 20001 | 21310 | |
| 23 | 5.033-079.0 | Washer 5,5/13 | 2.000 | ST | 21535 | | |

40 Power brush gear

| POS | Description | Quantity | Unit |
|------------|--------------------|-----------------|-------------|
| 42 | Bottom plate | 1.000 | ST |
| 41 | Power brush gear | 1.000 | ST |



41 Power brush gear

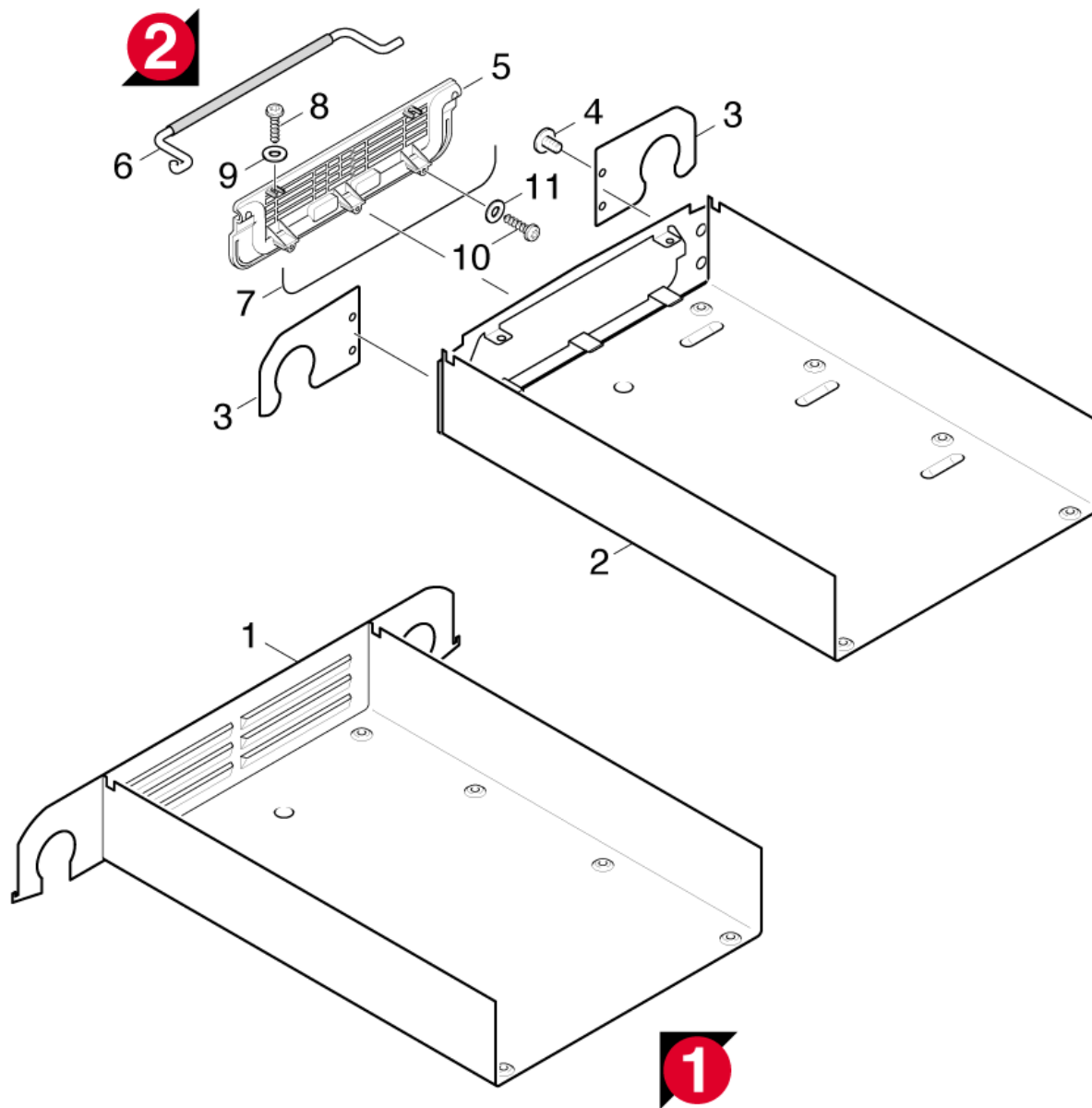
| POS | Article no. | Description | Quantity | Unit | Serial number from | Serial number to | Remark | Foot note text |
|-----|---|--|----------|------|--------------------|------------------|-------------|------------------------------------|
| 10 | 7.401-115.0 | Ball bearing 6002-2RS -WAE LZLAGST DIN 62 | 8.000 | ST | | | | QUANTITY ACCORDING TO DEMAND |
| 23 | 7.401-169.0 | Ball bearing 6201-2 RS-WAE LZLAGST DIN 625 | 4.000 | ST | | | | |
| 11 | 5.625-318.0 | Belt pulley 21Z | 2.000 | ST | | | | |
| 25 | 5.625-357.0 | Belt pulley 56Z HTD 3M | 2.000 | ST | | | | |
| 5 | 5.600-058.0 | Blower wheel | 1.000 | ST | | | | |
| 22 | 2.882-464.0 | Conversion kit driveshaft BR-VS | 2.000 | ST | | | | VERSION 1 |
| 4 | 2.882-587.0 | Conversion kit electric motor BR VS 400 | 1.000 | ST | | 23873 | | VERSION 3 |
| 19 | 6.273-183.0 | Cord cellular rubber | 1.000 | ST | | | | TO ORDER AS CUT GOODS |
| 33 | 7.306-119.0 | Cylinder head screw M8x12 -A2-70 ISO 47 | 4.000 | ST | | | | |
| | Item text1: / 1.139-101.0 / -103.0 | | | | | | | |
| 2 | 7.306-042.0 | Cylinder head screw M8x25 -8.8-A2E ISO4 | 4.000 | ST | | | | |
| 22 | 4.100-226.0 | Driveshaft complete | 2.000 | ST | | | | VERSION 2 |
| 4 | 6.612-575.0 | Electric motor 1,4KW 230V | 1.000 | ST | | 13842 | | VERSION 1 |
| | Item text1: / 1.139-101.0 / -103.0 | | | | | | | |
| 4 | 6.612-752.0 | Electric motor 1,4kW 230V | 1.000 | ST | 23874 | | VERSION 2+4 | |
| | Item text1: / 1.139-101.0 / -103.0 | | | | | | | |
| 28 | 6.363-245.0 | Gasket disc 12/5,2-V2A | 8.000 | ST | | | | |
| 31 | 5.332-469.0 | Helical spring | 1.000 | ST | | | | |
| 27 | 7.343-001.0 | Locking ring 10x1-Rf- St DIN 471 | 4.000 | ST | | | | |
| 13 | 7.343-003.0 | Locking ring 12x1-Rf- | 1.000 | ST | | | | QUANTITY |

41 Power brush gear

| POS | Article no. | Description | Quantity | Unit | Serial number from | Serial number to | Remark | Foot note text |
|-----|---|---|----------|------|--------------------|------------------|--------|------------------------------------|
| | | St DIN 471 | | | | | | ACCORDING TO DEMAND |
| 21 | 7.343-231.0 | Locking ring 32x1,2 -St-ph DIN 472 | 4.000 | ST | | | | |
| 1 | 5.031-499.0 | Motor flange BR VARIO | 1.000 | ST | | | | |
| 18 | 5.056-010.0 | Rocker BR-VS | 2.000 | ST | | | | |
| 20 | 4.762-254.0 | Roller brush complete light blue | 2.000 | ST | | | | |
| 20 | 4.762-252.0 | Roller brush green (old colour grey) | 2.000 | ST | | | | |
| 20 | 4.762-274.0 | Roller brush horsehair nature BR VS 400 | 2.000 | ST | | | | |
| 20 | 4.762-251.0 | Roller brush orange (old colour red) | 2.000 | ST | | | | |
| 20 | 4.762-003.0 | Roller brush red complete | 2.000 | ST | | | | |
| 20 | 4.762-250.0 | Roller brush white (old colour black) | 2.000 | ST | | | | |
| 29 | 7.303-104.0 | Screw 5x16 -A2-70 (IN6RD) | 8.000 | ST | | | | |
| 8 | 7.303-038.0 | Screw M5x12 -St- P2R (In6Rd) | 8.000 | ST | | | | |
| 32 | 7.306-191.0 | Screw M6x10 -A2-70 (In6Rd) | 2.000 | ST | | | | |
| 15 | 4.100-125.0 | Shaft gear left BR VS | 1.000 | ST | | | | |
| 14 | 4.100-124.0 | Shaft gear right BR VS | 1.000 | ST | | | | |
| 24 | 5.110-685.0 | Sleeve | 2.000 | ST | | | | |
| 7 | 5.110-686.0 | Spacer sleeve | 1.000 | ST | | | | QUANTITY ACCORDING TO DEMAND |
| 17 | 6.310-123.0 | Speed nut self- locking ST 4,2 | 2.000 | ST | | | | |
| 4 | 7.777-999.0 | Stockpiling discontinued | 1.000 | ST | 21535 | | | VERSION 2+3 |
| | Item text1: / 1.139-107.0 / -307.0 | | | | | | | |

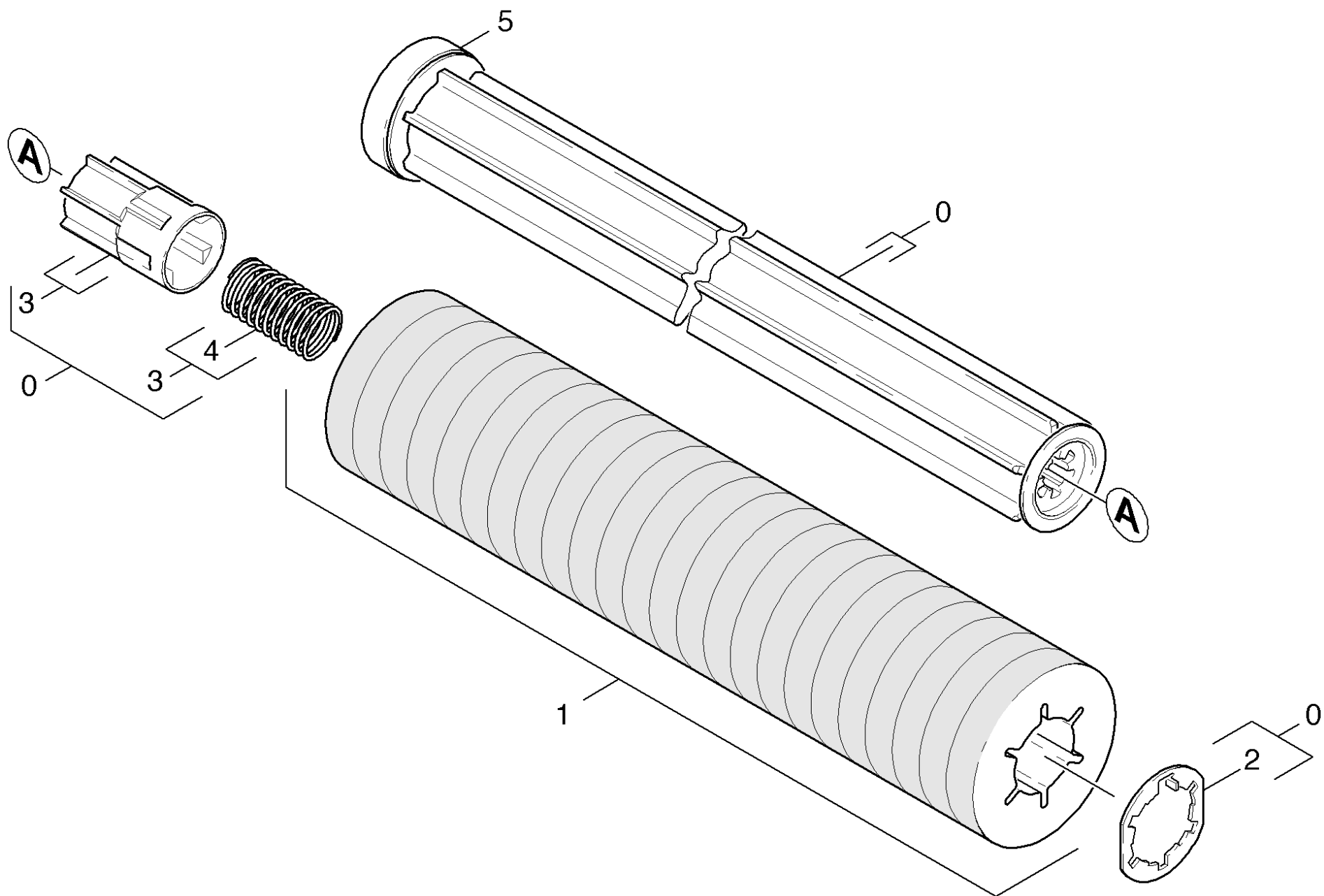
41 Power brush gear

| POS | Article no. | Description | Quantity | Unit | Serial number from | Serial number to | Remark | Foot note text |
|-----|-------------|--------------------------------------|----------|------|--------------------|------------------|--------|----------------|
| 6 | 7.777-999.0 | Stockpiling discontinued | 1.000 | ST | | | | |
| 26 | 7.343-210.0 | Supporting disk S 10x16 -FSt DIN 988 | 2.000 | ST | | | | |
| 16 | 6.348-401.0 | Toothed belt | 1.000 | ST | | | | |
| 12 | 6.348-383.0 | Toothed belt HTD-447-3M-15 CXPIII | 1.000 | ST | | | | |
| 9 | 5.671-014.0 | Top panel gear | 1.000 | ST | | | | |
| 30 | 6.288-095.0 | Viscous oil | 1.000 | ST | | | | |
| 34 | 7.312-292.0 | Washer 6 -A2 ISO 7093-1 | 2.000 | ST | | | | |
| 3 | 7.312-004.0 | Washer 8 -200HV-A3E ISO 7090 | 4.000 | ST | | | | |



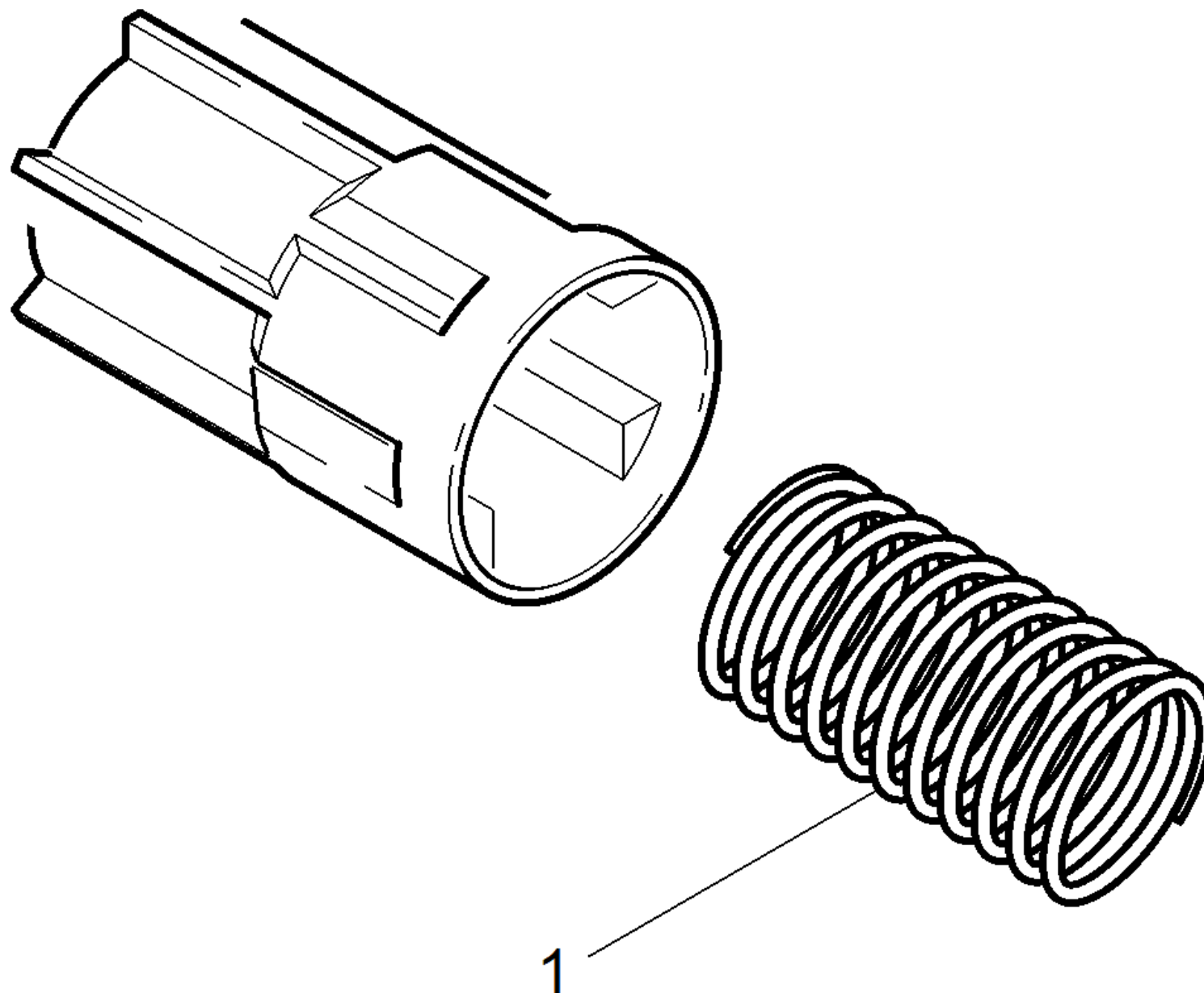
42 Bottom plate

| POS | Article no. | Description | Quantity | Unit | Serial number from | Serial number to | Foot note text |
|-----|-------------|--|----------|------|--------------------|------------------|-----------------------|
| 3 | 5.006-217.0 | Bearing plate | 2.000 | ST | 20001 | | |
| 2 | 4.033-018.0 | Bottom plate BR VS 400 | 1.000 | ST | 21311 | | |
| 2 | 4.033-016.0 | Bottom plate BR VS 400 | 1.000 | ST | 20001 | 21310 | |
| 1 | 4.033-017.0 | Bottom plate reinforced BR VARIO alte Ve | 1.000 | ST | | 20000 | |
| 5 | 5.321-624.0 | Handle bowl BR VS 400 | 1.000 | ST | 20001 | 21310 | |
| 5 | 5.321-659.0 | Handle bowl BR VS 400 | 1.000 | ST | 21311 | | |
| 4 | 6.304-142.0 | Oval head screw M 5X 8 | 4.000 | ST | 20001 | | |
| 10 | 7.303-134.0 | Screw 4x8 -8.8-R2R (K-In6Rd) | 3.000 | ST | 20001 | | |
| 7 | 6.273-037.0 | Seal string cellular rubber 3 | 1.000 | M | 20001 | | TO ORDER AS CUT GOODS |
| 8 | 7.303-071.0 | Sheet metal screw ST4,2X9,5 -St-A2K (In | 2.000 | ST | 20001 | | |
| 6 | 7.777-999.0 | Stockpiling discontinued | 1.000 | ST | 20001 | | |
| 9 | 7.312-052.0 | Washer 5 -A2 ISO 7089 | 2.000 | ST | 20001 | | |
| 11 | 7.312-282.0 | Washer 5 -A2 ISO 7093-1 | 3.000 | ST | 20001 | | |



50 Accessories pad roll

| POS | Article no. | Description | Quantity | Unit |
|------------|--------------------|--|-----------------|-------------|
| 4 | 5.332-469.0 | Helical spring | 1.000 | ST |
| 3 | 5.120-313.0 | Hub pad roll BR VS | 1.000 | ST |
| 1 | 6.369-725.0 | Pad green with sleeve | 1.000 | ZSA |
| 1 | 6.369-726.0 | Pad red with sleeve | 1.000 | ZSA |
| 1 | 6.369-727.0 | Pad white with sleeve BR VS 400 | 1.000 | ZSA |
| 1 | 6.369-724.0 | Pad yellow with sleeve | 1.000 | ZSA |
| 0 | 4.762-228.0 | Roll Pad BR VS 400 | 1.000 | ST |
| 5 | 4.038-677.0 | Sheet metal component thread deflector | 1.000 | ST |
| 2 | 4.115-003.0 | Washer closure | 1.000 | ST |



3 Hub pad roll BR VS (5.120-313.0)

| POS | Article no. | Description | Quantity | Unit |
|------------|--------------------|--------------------|-----------------|-------------|
| 1 | 5.332-469.0 | Helical spring | 1.000 | ST |
