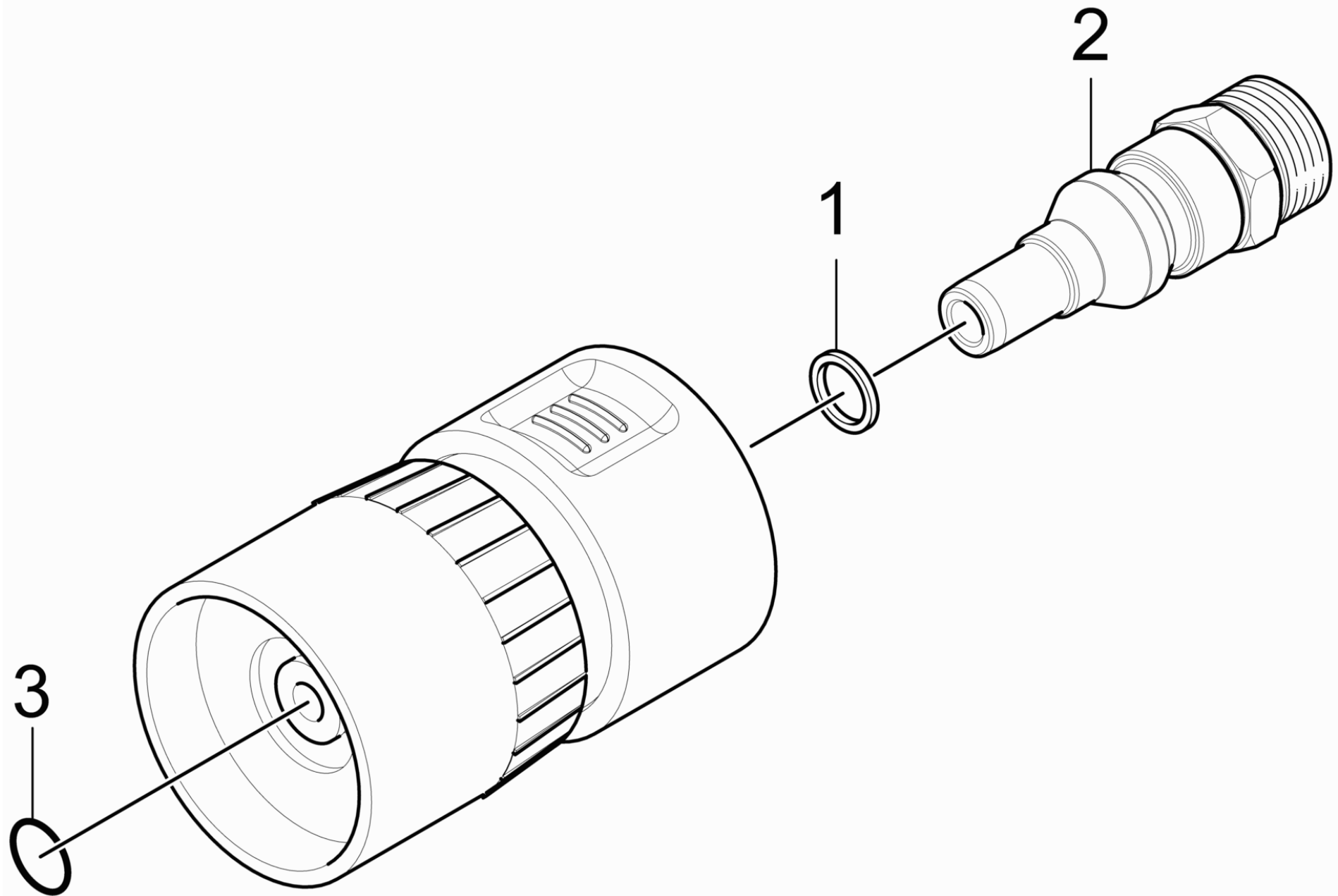


10 Quick-fitting pipe union

Professional \ High pressure cleaner cold water \ Electric motor \ HD 10/23-4S *MX \ Spare parts list HD 10/21 S \ Accessories \ Foam lance and quick-fitting pipe union \ Quick-fitting pipe union complete \ Spare parts list quick-fit pipe union

KÄRCHER



10 Quick-fitting pipe union

Professional \ High pressure cleaner cold water \ Electric motor \ HD 10/23-4S *MX \ Spare parts list HD 10/21 S \ Accessories \ Foam lance and quick-fitting pipe union \ Quick-fitting pipe union complete \ Spare parts list quick-fit
pipe union

KÄRCHER

POS	Article no.	Description	Quantity	Unit
3	7.362-501.0	O-Ring seal 10x2 EPDM 70 DIN 3770	1.000	ST
2	6.401-459.0	Plug nipple	1.000	ST
1	6.363-554.0	Seal 11,7x2,62 EPDM 90 Shore	1.000	ST