

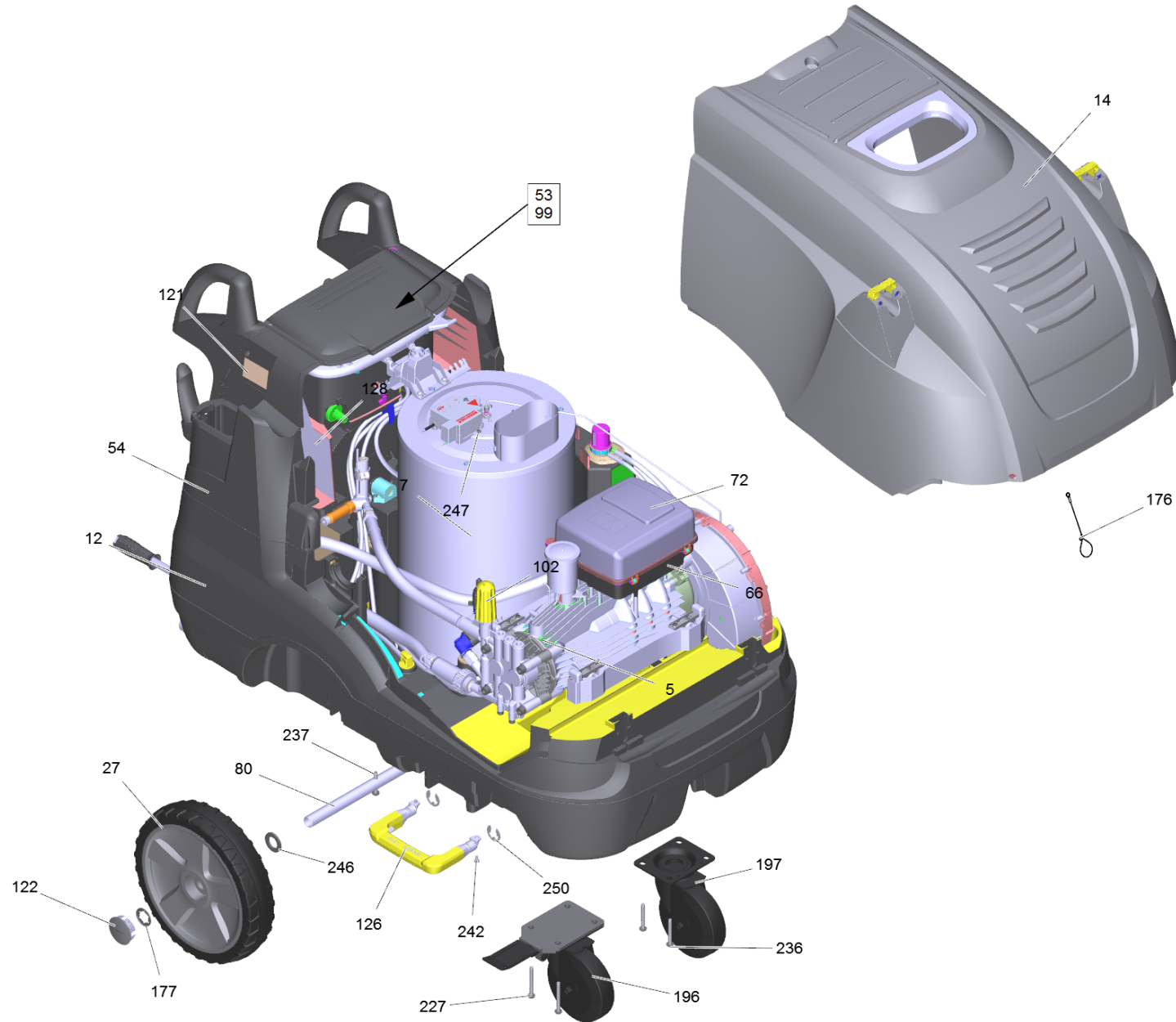
# Spare parts list HDS 13/20-4SX \*EU-I (5.973-973.0)

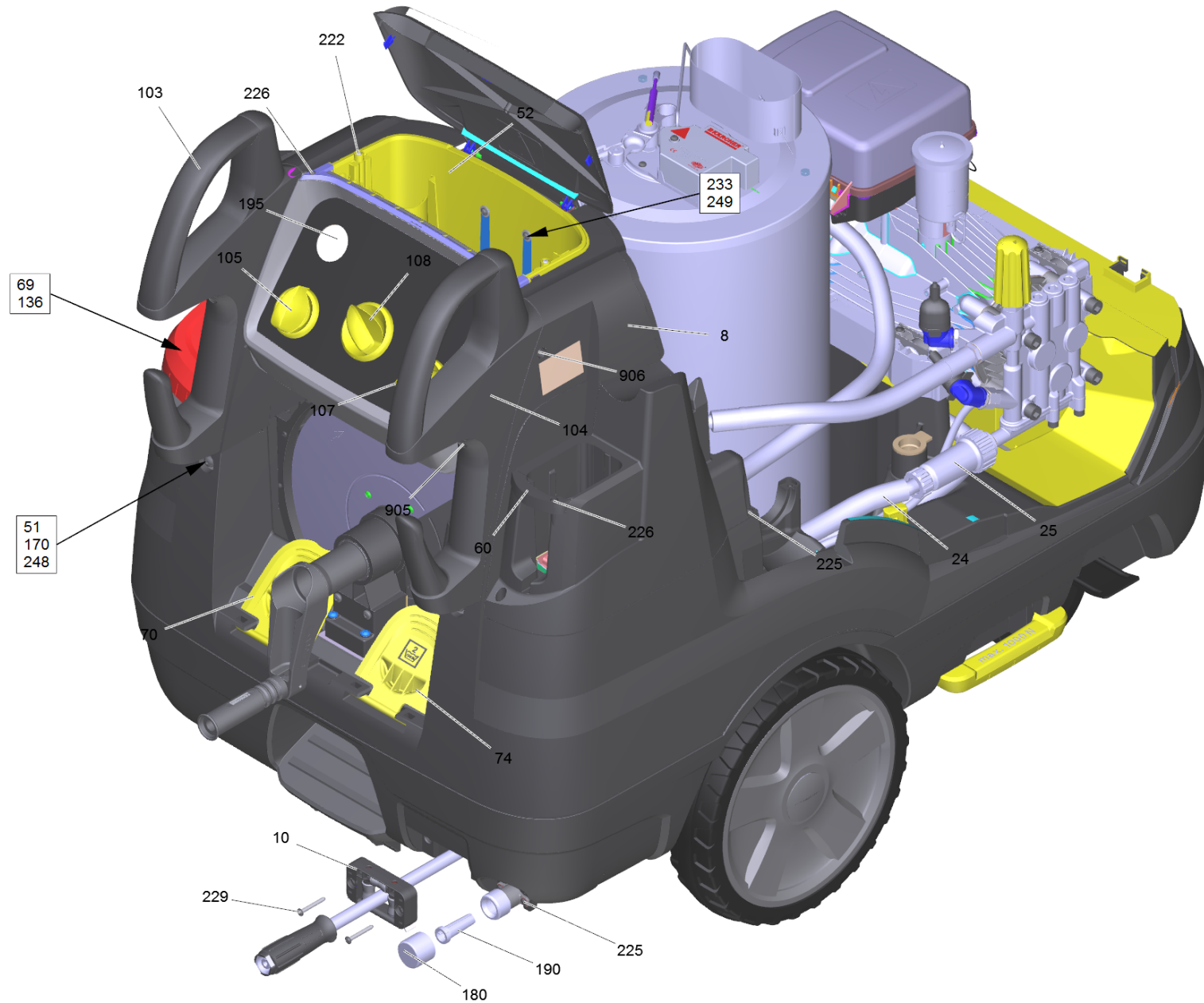
Professional \ High pressure cleaner hotwater \ Electric motor \ HDS 13/20-4 SX \*EU-I \ Spare parts list HDS 13/20-4SX \*EU-I



# Spare parts list HDS 13/20-4SX \*EU-I (5.973-973.0)

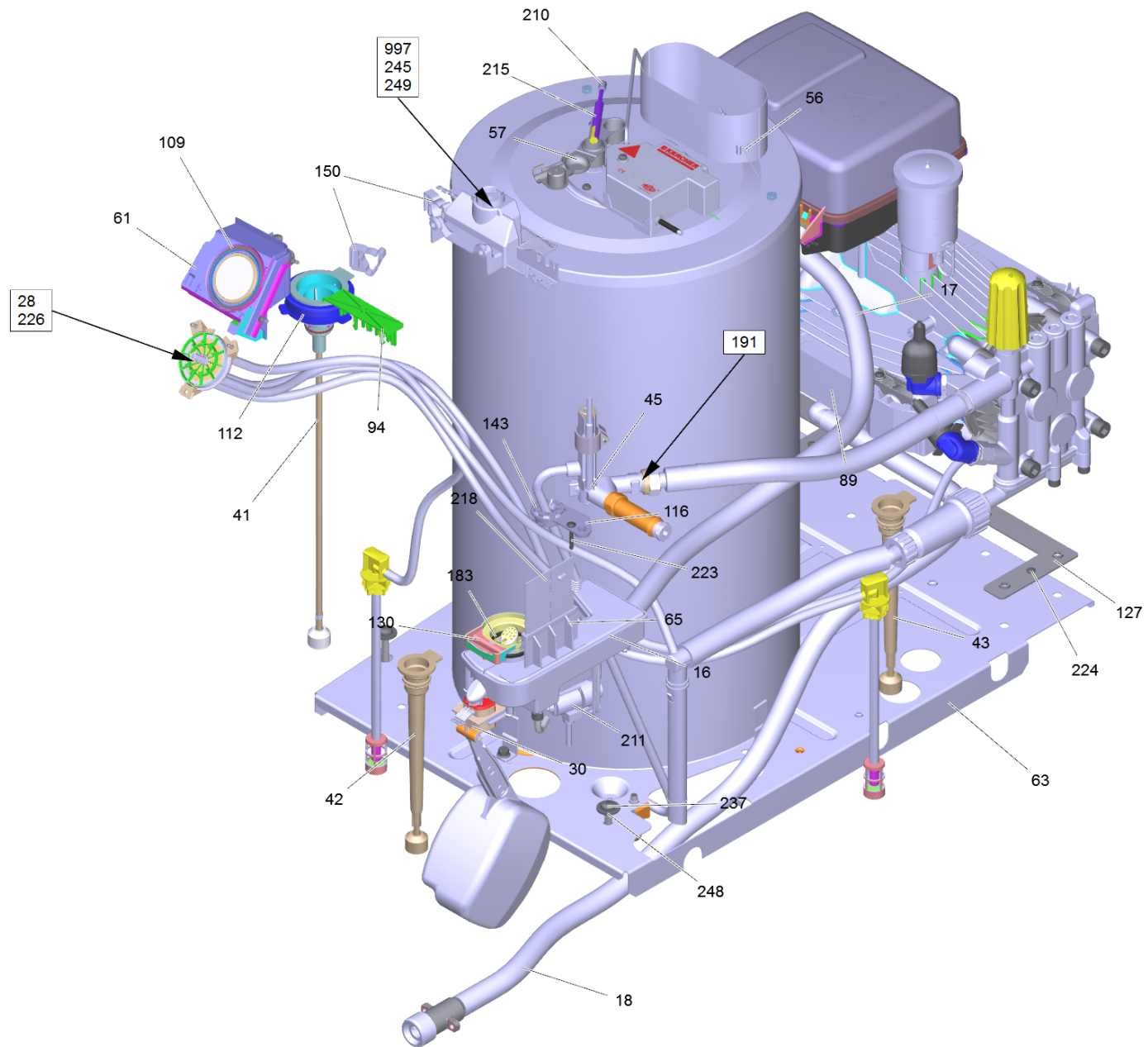
Professional \ High pressure cleaner hotwater \ Electric motor \ HDS 13/20-4 SX \*EU-I \ Spare parts list HDS 13/20-4SX \*EU-I

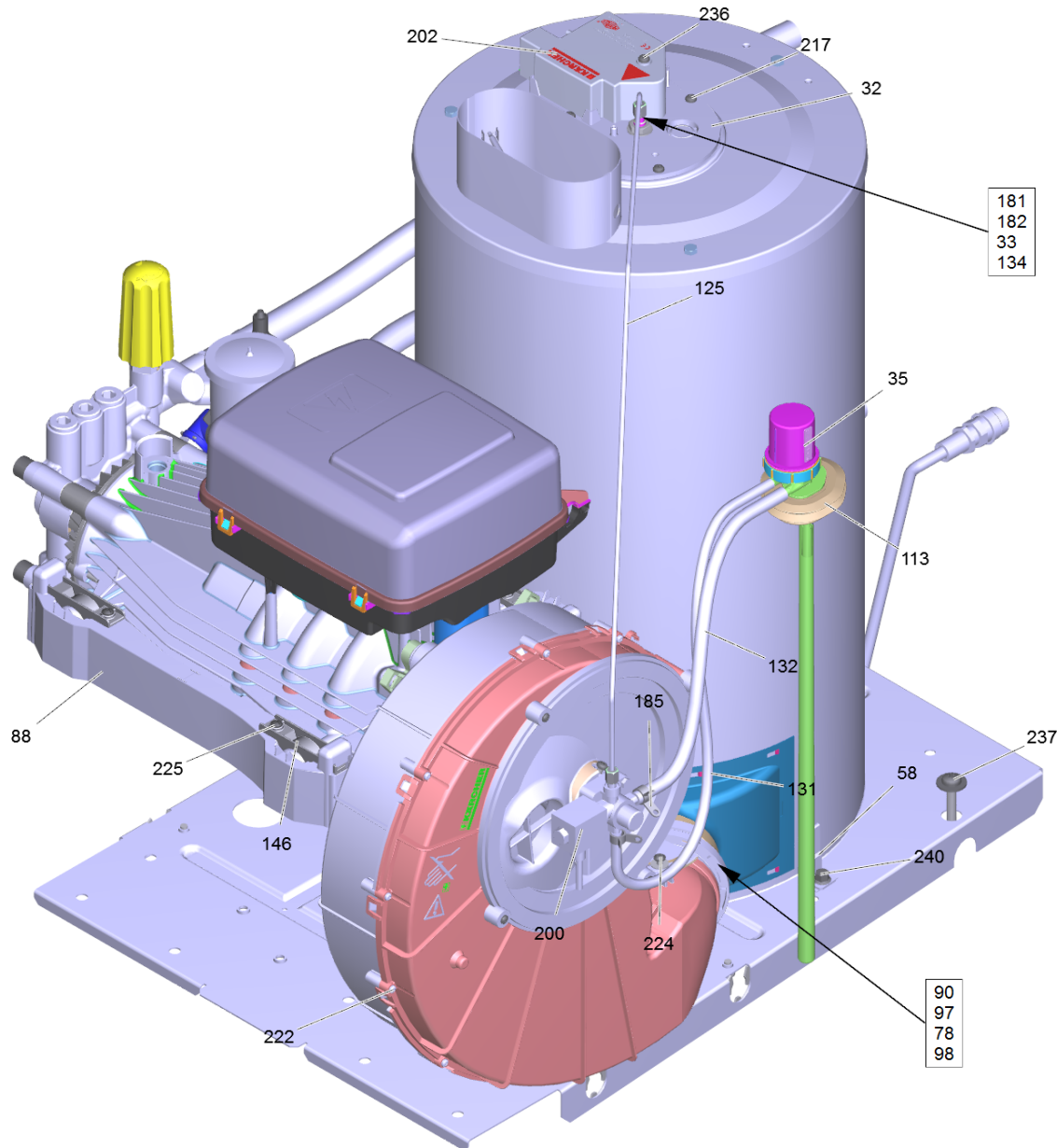


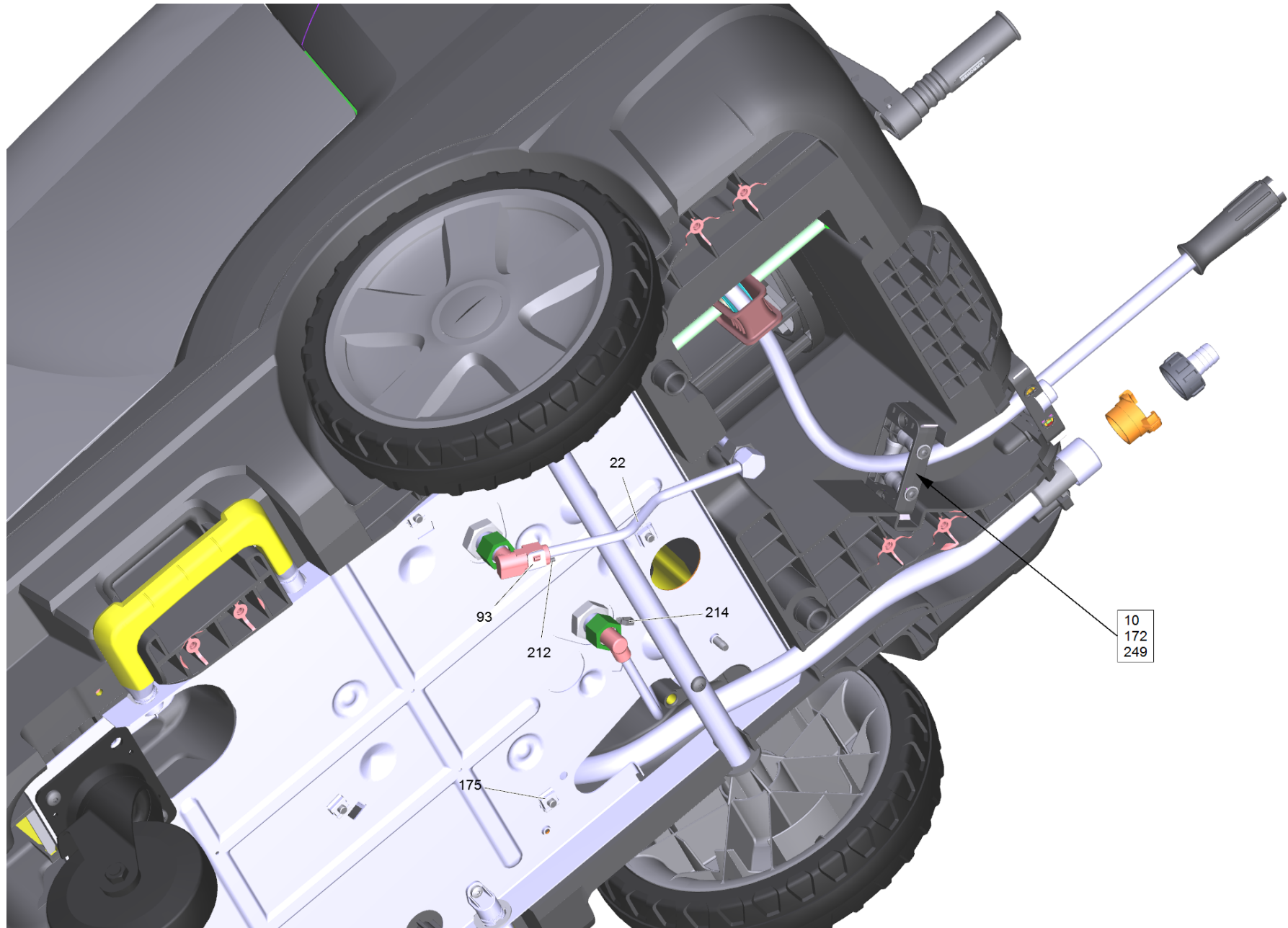


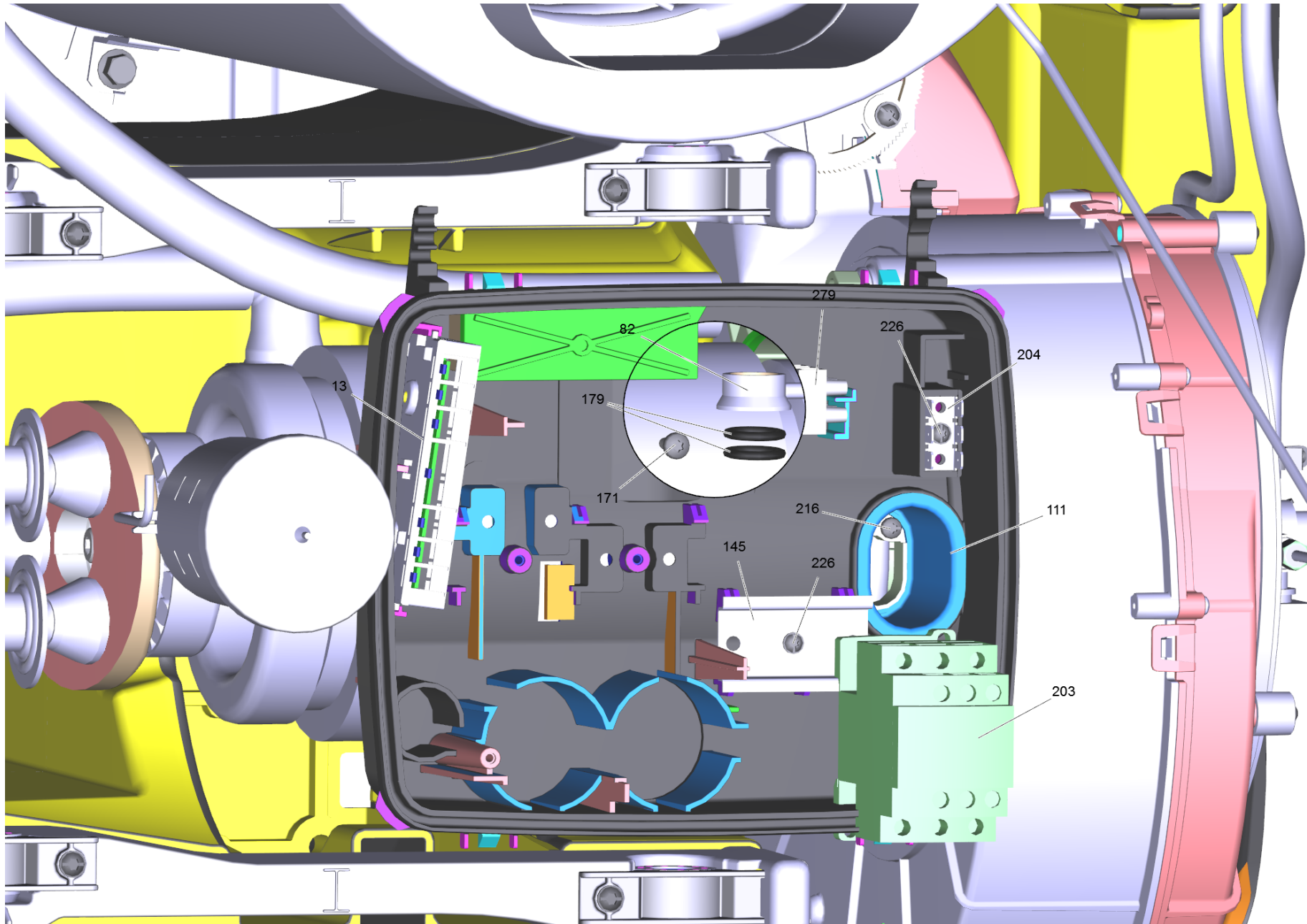
# Spare parts list HDS 13/20-4SX \*EU-I (5.973-973.0)

Professional \ High pressure cleaner hotwater \ Electric motor \ HDS 13/20-4 SX \*EU-I \ Spare parts list HDS 13/20-4SX \*EU-I



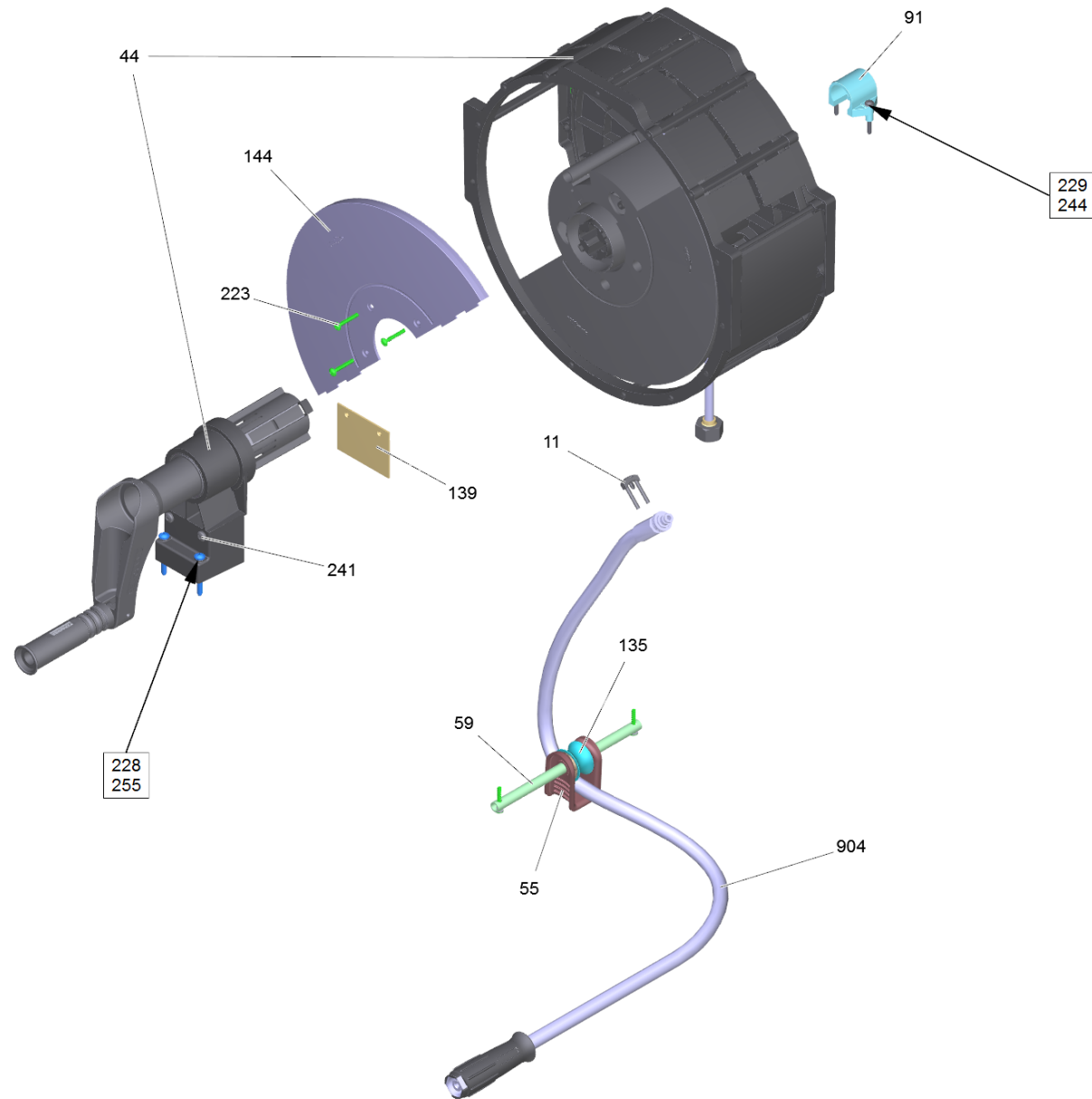






# Spare parts list HDS 13/20-4SX \*EU-I (5.973-973.0)

Professional \ High pressure cleaner hotwater \ Electric motor \ HDS 13/20-4 SX \*EU-I \ Spare parts list HDS 13/20-4SX \*EU-I





## Spare parts list HDS 13/20-4SX \*EU-I (5.973-973.0)

Professional \ High pressure cleaner hotwater \ Electric motor \ HDS 13/20-4 SX \*EU-I \ Spare parts list HDS 13/20-4SX \*EU-I

**KÄRCHER**

POS	Article no.	Description	Quantity	Unit
3		Set mounting parts	1	PC
5		Motor pump	1	PC
7		Boiler	1	PC
8		Electric control box	1	PC
10		Holder roller complete	2	PC
11	4.037-013.0	Hook	1	PC
12	4.051-109.0	Frame neue M-Klasse Ersatz	1	PC
13	2.885-054.0	Frame circuit board complete	1	PC
14	4.066-426.0	Device cover complete only for replaceme	1	PC
16	4.070-658.3	Tank complete	1	PC
17		Hose float	1	PC
18	4.440-792.0	Hose water connection 2-Rad	1	PC
22	4.422-112.0	Pipelines	1	PC
24		Hose float	1	PC
25	4.730-168.3	Water filter complete	1	PC
27	4.515-345.0	Wheel complete	2	PC
28		Valve cleaning agents complete	1	PC
30		Float valve	1	PC
32	4.654-288.0	Cover pressure boiler only for replaceme	1	PC
33	6.415-564.0	Burner nozzle	1	PC
35	4.730-167.3	Filter complete	1	PC
41	4.747-092.0	Level probe	1	PC
42	4.747-095.0	Level probe	1	PC
43	4.747-096.0	Level probe	1	PC
44		Hose reel complete	1	PC
45		Safety system	1	PC
46	4.112-000.0	Jet pipe TR 1050 mm	1	PC
51	5.027-292.0	Tube handhold	2	PC
52	5.033-112.0	Storage compartment	1	PC
53	5.033-113.0	Flap	1	PC
54	5.033-344.0	Covering cap DGT	1	PC
55	5.033-415.0	Slider	1	PC
56	5.034-834.0	Holder probe	1	PC

## Spare parts list HDS 13/20-4SX \*EU-I (5.973-973.0)

Professional \ High pressure cleaner hotwater \ Electric motor \ HDS 13/20-4 SX \*EU-I \ Spare parts list HDS 13/20-4SX \*EU-I

**KÄRCHER**

POS	Article no.	Description	Quantity	Unit
57	5.034-982.0	Holder photocell	1	PC
58	5.044-420.0	Holder	4	PC
59	5.033-524.0	Axle	1	PC
60	5.033-381.0	Profile	1	PC
61	5.044-850.0	Holder pressure gauge	1	PC
63	5.051-114.0	Base plate boiler	1	PC
65	5.044-889.0	Holder circuit board	1	PC
66	5.061-319.0	Housing electric box	1	PC
69	4.064-013.0	Cover fuel complete	1	PC
70		Cover complete Chem 1	1	PC
72	5.064-226.0	Cover electric box	1	PC
74		Cover complete Chem 2	1	PC
78	5.075-036.0	Closure	1	PC
80	5.105-652.0	Axle	1	PC
82	5.110-341.0	Sleeve	2	PC
88	5.190-249.0	Strip front	1	PC
89	5.190-250.0	Strip rear	1	PC
90	5.195-251.0	Seal air circulation	1	PC
91	5.251-060.0	Bearing support bottom part	1	PC
93	5.263-064.0	Tensioning part	1	PC
94	5.263-091.0	Tensioning part	2	PC
97	5.263-094.0	Tensioning part air circulation	1	PC
98	5.263-096.0	Tensioning part air circulation	1	PC
99	5.317-220.0	Bolt	2	PC
102	5.322-103.0	Handle	1	PC
103	5.321-830.0	Sliding handle left	1	PC
104	5.321-831.3	Sliding handle right	1	PC
105	5.321-844.0	Handle	1	PC
107	5.321-847.0	Handle	1	PC
108	5.321-848.0	Handle	1	PC
109	5.363-721.0	Joint ring	1	PC
111	5.365-181.0	Profile gasket	1	PC
112	5.365-289.0	Rubber bushing transmitter feeder	1	PC

## Spare parts list HDS 13/20-4SX \*EU-I (5.973-973.0)

Professional \ High pressure cleaner hotwater \ Electric motor \ HDS 13/20-4 SX \*EU-I \ Spare parts list HDS 13/20-4SX \*EU-I

**KÄRCHER**

POS	Article no.	Description	Quantity	Unit
113	5.365-290.0	Rubber bushing fuel	1	PC
116	5.378-150.0	Holder pipe	1	PC
121	5.387-620.0	Warning sticker-Prevent from freezing	1	PC
122	2.889-086.0	Set wheel cap	1	PC
125	5.423-347.0	Conduit fuel	1	PC
126	5.424-136.0	Fixing	2	PC
127	5.424-137.0	Fixing castor	2	PC
128	5.424-142.0	Foil shield	1	PC
130	5.425-495.0	CONNECTION PIECE DGT	1	PC
131	6.391-820.0	Hose	0,41	m
132	6.391-820.0	Hose	0,34	m
134	5.664-256.0	Flame tube	1	PC
135	5.515-112.0	Deflection pulley	1	PC
136	5.731-039.0	Filter	1	PC
139	5.762-400.0	Bracket	1	PC
141	2.113-013.0	Power nozzle TR 25072	1	PC
142	2.114-011.0	Steam nozzle TR 40100	1	PC
143	5.767-023.0	Rubber buffer	1	PC
144	5.776-021.0	Hose reel right half 2	1	PC
145	5.802-261.0	Mounting part	1	PC
146	5.802-288.0	Mounting part	4	PC
150	5.802-306.0	Holder cable	2	PC
170	6.303-497.0	Screw M8x35-8.8-A2E (IN6RD)	3	PC
171	6.303-153.0	Screw M5x15-ST-R2R (IN6RD)	3	PC
172	7.303-171.0	Screw 5x80 -10.9-R2R (K-In6Rd)	2	PC
175	6.310-081.0	Cage nut M 8	4	PC
176	6.431-274.0	Tackle cover	1	PC
177	6.343-162.0	Lock washer -25	2	PC
179	6.362-579.0	O-Ring seal 17,5 X 3,5	4	PC
180	6.368-080.0	Protecting cap	1	PC
181	6.389-262.0	Union nut A 4-LL	2	PC
182	6.389-263.0	Cutting ring d.4	2	PC
183	6.362-377.0	O-Ring seal 38,0 X 2,0-NBR 70	1	PC

## Spare parts list HDS 13/20-4SX \*EU-I (5.973-973.0)

Professional \ High pressure cleaner hotwater \ Electric motor \ HDS 13/20-4 SX \*EU-I \ Spare parts list HDS 13/20-4SX \*EU-I

**KÄRCHER**

POS	Article no.	Description	Quantity	Unit
185	6.388-559.0	Hose clip	2	PC
190	6.414-141.0	Strainer	1	PC
191	6.414-566.0	Strainer WMS	1	PC
195	4.423-020.0	Pressure gauge only for replacement 0-25	1	PC
196	6.435-747.0	Castor	1	PC
197	6.435-777.0	Castor D 160	1	PC
200	4.473-032.0	Fuel pump only for replacement	1	PC
202	4.622-038.0	Ignition transformer only for replacemen	1	PC
203	6.632-334.0	Power contactor LC1 D32 B7	1	PC
204	6.641-270.0	Plug	1	PC
207	6.649-384.0	Cable 2x0,35 350mm	1	PC
209	2.885-110.0	Control cable complete only for replacem	1	PC
210	6.614-007.0	Ferrite ring	1	PC
211	4.686-030.0	Solenoid valve only for replacement	1	PC
212	4.686-031.0	Thermostat only for replacement	1	PC
214	6.970-929.0	Clip	1	PC
215	6.664-055.0	Probe	1	PC
216	7.303-031.0	Screw M4x10 -St-P2R (In6Rd)	1	PC
217	7.303-038.0	Screw M5x12 -St-P2R (In6Rd)	4	PC
218	2.885-055.0	Circuit board	1	PC
222	7.303-084.0	Screw 4x25 -10.9-R2R (K-In6Rd)	2	PC
223	7.303-108.0	Screw 5x20 -10.9-R2R (In6Rd)	4	PC
224	7.303-107.0	Screw 5x16 -10.9-P2R (K-In6Rd)	3	PC
225	7.303-086.0	Screw 5x30 -10.9-R2R (K-In6Rd)	10	PC
226	7.303-106.0	Screw 4x12 -10.9-R2R (IN6RD)	8	PC
227	7.303-237.0	Screw M 8x70-St-A3K (IN6RD)	3	PC
228	7.303-209.0	Screw 6x50 -10.9-R2R (K-In6Rd)	2	PC
229	7.303-118.0	Screw 5x40 -A2-70 (IN6Rd)	4	PC
233	7.303-111.0	Screw 5x50 -10.9-R2R (K-In6Rd)	2	PC
236	7.303-240.0	Screw M5x40-ST-A2E (IN6RD)	1	PC
237	7.303-236.0	Screw M 8x60-St-A3E (IN6RD)	5	PC
240	7.304-051.0	Hexagonal head screw M 8x16 -8.8-P2R EN 1665	4	PC
241	7.306-201.0	Screw M 6x55-A2-70 (IN6RD)	2	PC

## Spare parts list HDS 13/20-4SX \*EU-I (5.973-973.0)

Professional \ High pressure cleaner hotwater \ Electric motor \ HDS 13/20-4 SX \*EU-I \ Spare parts list HDS 13/20-4SX \*EU-I



POS	Article no.	Description	Quantity	Unit
242	7.303-046.0	Screw M6x12 -St-R3R (In6Rd)	4	PC
244	7.312-052.0	Washer 5 -A2 ISO 7089	2	PC
245	6.303-320.0	Screw M 5x 20-St-R2R	2	PC
246	7.312-060.0	Washer 24-100HV-A3E ISO 7091	2	PC
247	7.312-172.0	Toothed lock washer A5,3-FSt-A3E DIN 6797	1	PC
248	7.312-277.0	Washer 8-200HV-A2E ISO7093-1	4	PC
249	7.312-278.0	Washer 5-200HV-A2E ISO7093-1	6	PC
250	7.343-073.0	Locking ring 19 -FST-PHR DIN 6799	4	PC
255	7.312-045.0	Washer 6-200HV-P4E ISO 7089	2	PC
279	6.643-151.0	Strip terminal one-pole 16mm <sup>2</sup>	1	ZST
901	4.118-005.0	EASY!Force Advanced	1	PC
902	4.118-009.0	Rotary controller TR 700L	1	PC
904	6.110-028.0	Hose assembly TR rotatable DN8 40MPa 20m	1	PC
905	7.303-069.0	Screw M 8x25-ST-R3R (IN6RD)	2	PC
906	7.303-209.0	Screw 6x50 -10.9-R2R (K-In6Rd)	2	PC
997	2.641-803.0	Add-on kit pressure accumulator	1	PC
997	2.882-692.0	Conversion kit holder large Kessel	1	PC
997	2.885-273.0	Conversion kit Niveaufuehler HDS 13/20	1	PC