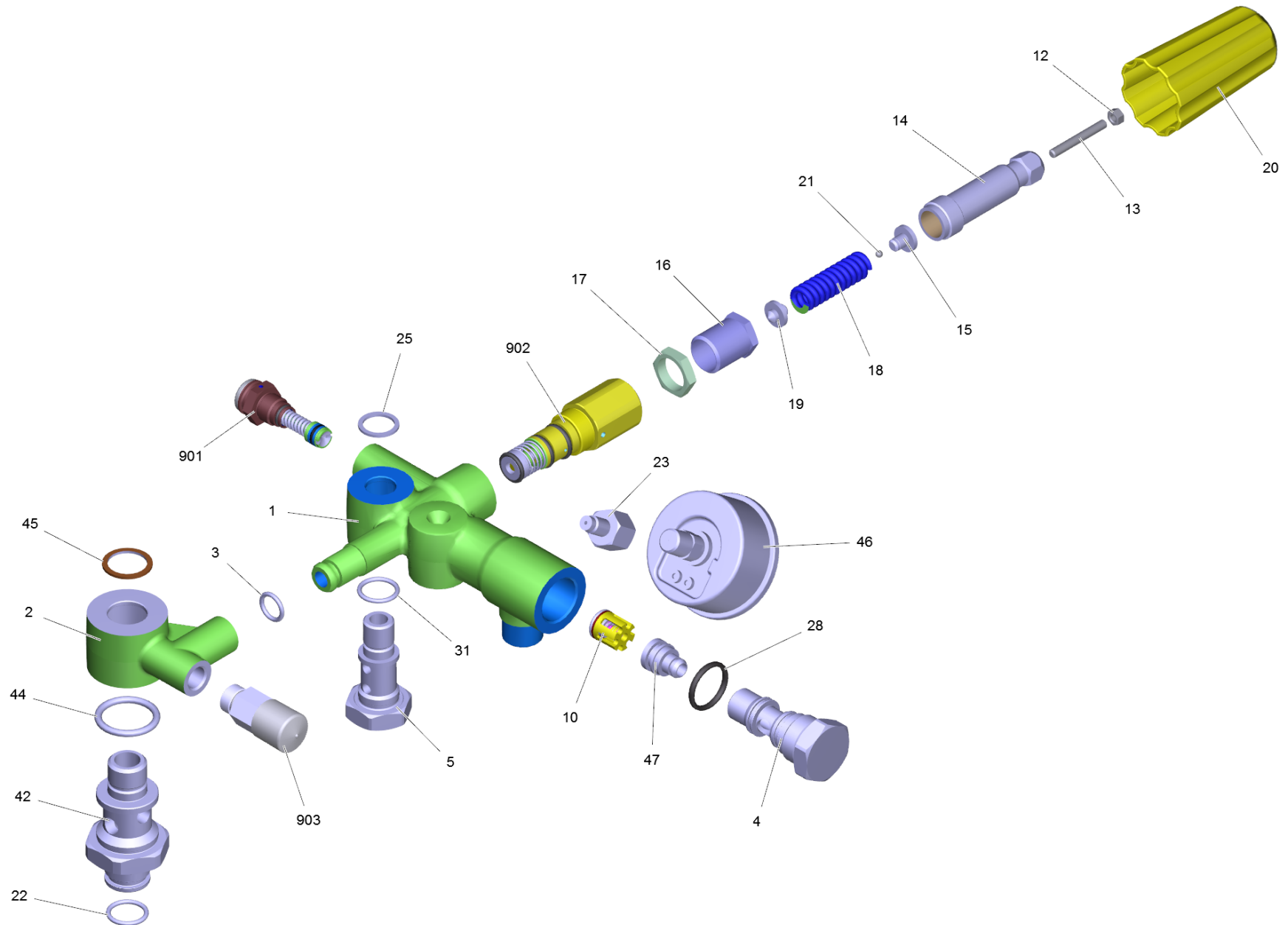


2 Excess-current complete 35 MPa (9.751-183.0)

Professional \ Industrial cleaning systems \ Maximum pressure cleaners \ HD 13/35 -4 Classic *KAP \ Spare parts list old \ Pump set complete with motor 35 MPa \ Pump set complete version 1 \ Excess-current complete 35 MPa

KÄRCHER



2 Excess-current complete 35 MPa (9.751-183.0)

Professional \ Industrial cleaning systems \ Maximum pressure cleaners \ HD 13/35 -4 Classic *KAP \ Spare parts list old \ Pump set complete with motor 35 MPa \ Pump set complete version 1 \ Excess-current complete 35 MPa



POS	Article no.	Description	Quantity	Unit	Remark
15	5.582-142.0	Bush	1	PC	
2	9.761-555.0	By-pass worked IHD	1	PC	
47	5.769-201.0	Control injector	1	PC	
901	4.100-583.0	Control piston complete only for replace	1	PC	STOP PRODUCTION
902	4.100-585.0	Excess-current complete only for replace	1	PC	
1	9.761-553.0	Excess-current worked IHD	1	PC	
20	5.322-103.0	Handle	1	PC	
14	5.304-070.0	Hexagonal head screw	1	PC	
12	7.311-002.0	Hexagon nut M5 -6-A2E ISO 4032	1	PC	
17	5.311-204.0	Hexagon nut M22x1,5	1	PC	
5	9.761-602.0	Hollow screw	1	PC	
16	5.404-082.0	Hollow screw	1	PC	
42	9.761-603.0	Hollow screw water connection	1	PC	
25	9.761-007.0	Joint ring G 3/8"	1	PC	
3	9.761-601.0	O-Ring seal 12.37x2.62	1	PC	
28	6.363-420.0	O-Ring seal 18,72 x 2,62 PUR 94	1	PC	
31	6.362-161.0	O-Ring seal 19,3 X 2,4	1	PC	
22	6.363-006.0	O-Ring seal 20X2,8	2	PC	
44	6.362-511.0	O-Ring seal 31,47X 1,78	1	PC	
46	6.421-357.0	Pressure gauge 0-80 MPa	1	PC	
18	5.332-988.0	Pressure spring 3,7x11,4x54,9	1	PC	
23	5.401-313.0	Screw connector part	1	PC	
4	5.402-731.0	Screw union	1	PC	
45	9.761-105.0	Seal G 1/2"	1	PC	
30	6.288-044.0	Silicon grease 100 G	1	PC	
21	7.401-921.0	Sphere 4 G20 -1.4034 DIN 5401	1	PC	
903	4.100-588.0	Thermovalve complete only for replacemen	1	PC	
13	7.307-017.0	Threaded pin M5x40-St-45H-A2E ISO 4026	1	PC	
10	4.580-661.0	Valve complete	1	PC	
19	5.584-145.0	Valve pin excess-current	1	PC	