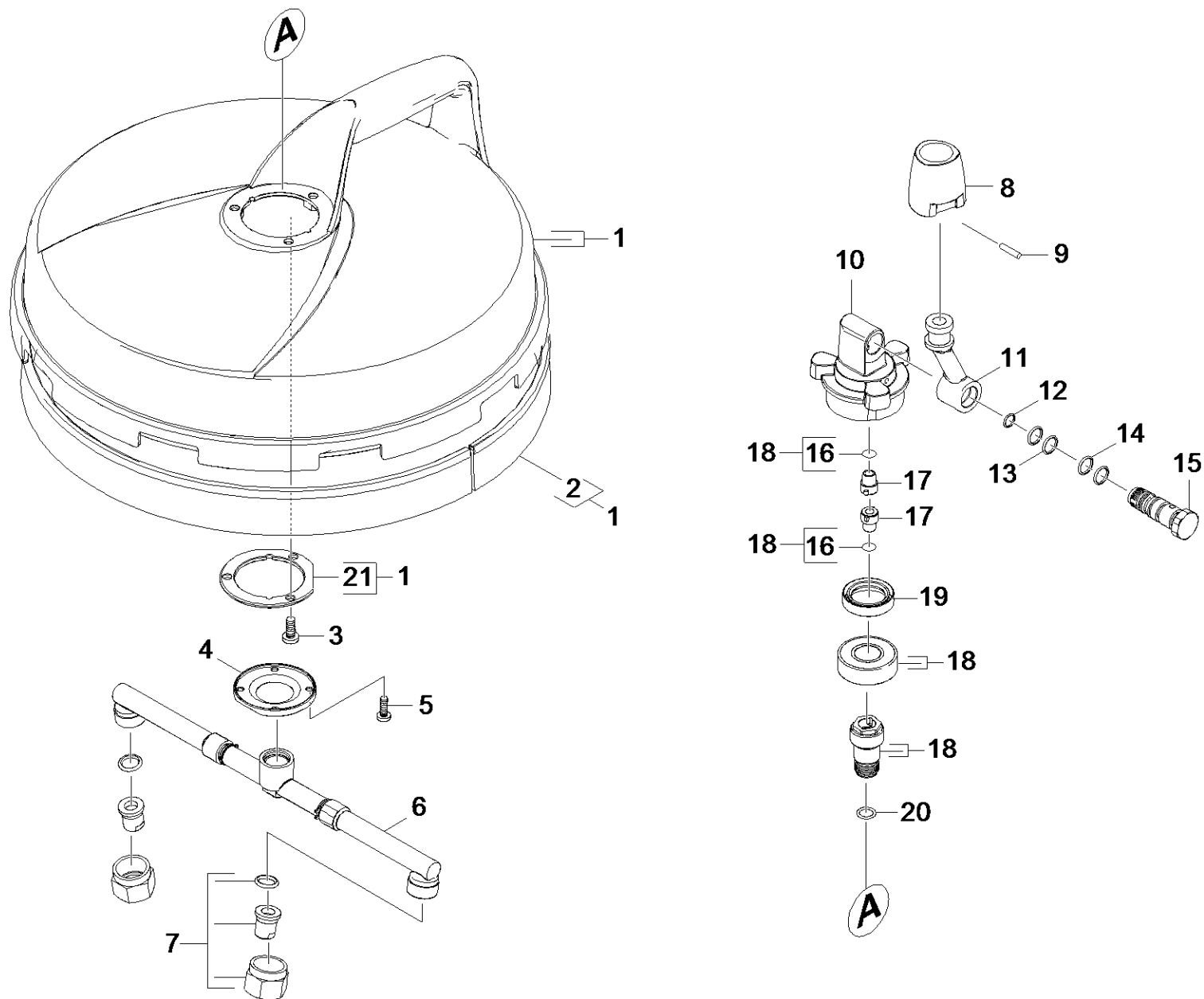


# 10 FR Basic

Overview technical documents/Professional/High pressure cleaner cold water/Accessories/FR Basic (2.642-998.0)/Spare parts list FR Basic/10 FR Basic



**10 FR Basic**

Overview technical documents/Professional/High pressure cleaner cold water/Accessories/FR Basic (2.642-998.0)/Spare parts list FR Basic/10 FR Basic

Rez.daļas/nodil.pakļ.daļas	Poz.	Materiāla Nr.	Nosaukums	Daudzums	Pārdoš. vienība
	1	4.880-001.0	Spare part set FR Basic	1.000	ST
	2	6.371-051.0	Brush-corona FR 28	1.000	ST
	3	7.306-181.0	screw	4.000	ST
	4	5.122-478.0	Flange	1.000	ST
	5	7.306-204.0	Screw M 3X 10-A2-70 (IN6RD)	4.000	ST
	6	4.764-154.0	Nozzle holder	1.000	ST
X-X	7	2.640-482.0	Nozzle pack 018	1.000	ST
X-X	7	2.640-401.0	Nozzle	1.000	ST
X-X	7	2.639-187.0	Nozzle pack	1.000	ST
	8	5.394-530.0	Protection part complete	1.000	ST
	9	6.343-150.0	Pin 03	1.000	ST
	10	5.481-401.0	Base body	1.000	ST
	11	5.481-402.0	Hinge part	1.000	ST
	12	6.363-111.0	O-Ring seal 7,0 X 1 -NBR 70	1.000	ST
	13	6.362-384.0	Gredzenblīve 9x1,5 - NBR 70	2.000	ST
	14	6.362-958.0	Gredzenblīve 9 x 2-NBR 90	2.000	ST
	15	5.100-569.0	Axle	1.000	ST
	16	6.362-658.0	O-Ring seal 7 X 1,5-NBR 90	2.000	ST
X-X	17	5.111-322.0	Sleeve	2.000	ST
X-X	18	4.250-082.0	Bearing complete only for replacement	1.000	ST
X-X	19	7.367-000.0	Radial shaft seal ring A20x30x7-NBR DIN	1.000	ST
	20	6.362-388.0	Gredzenblīve 8,0x1,5 -EPDM 70	1.000	ST
	21	5.122-003.0	Flange	1.000	ST