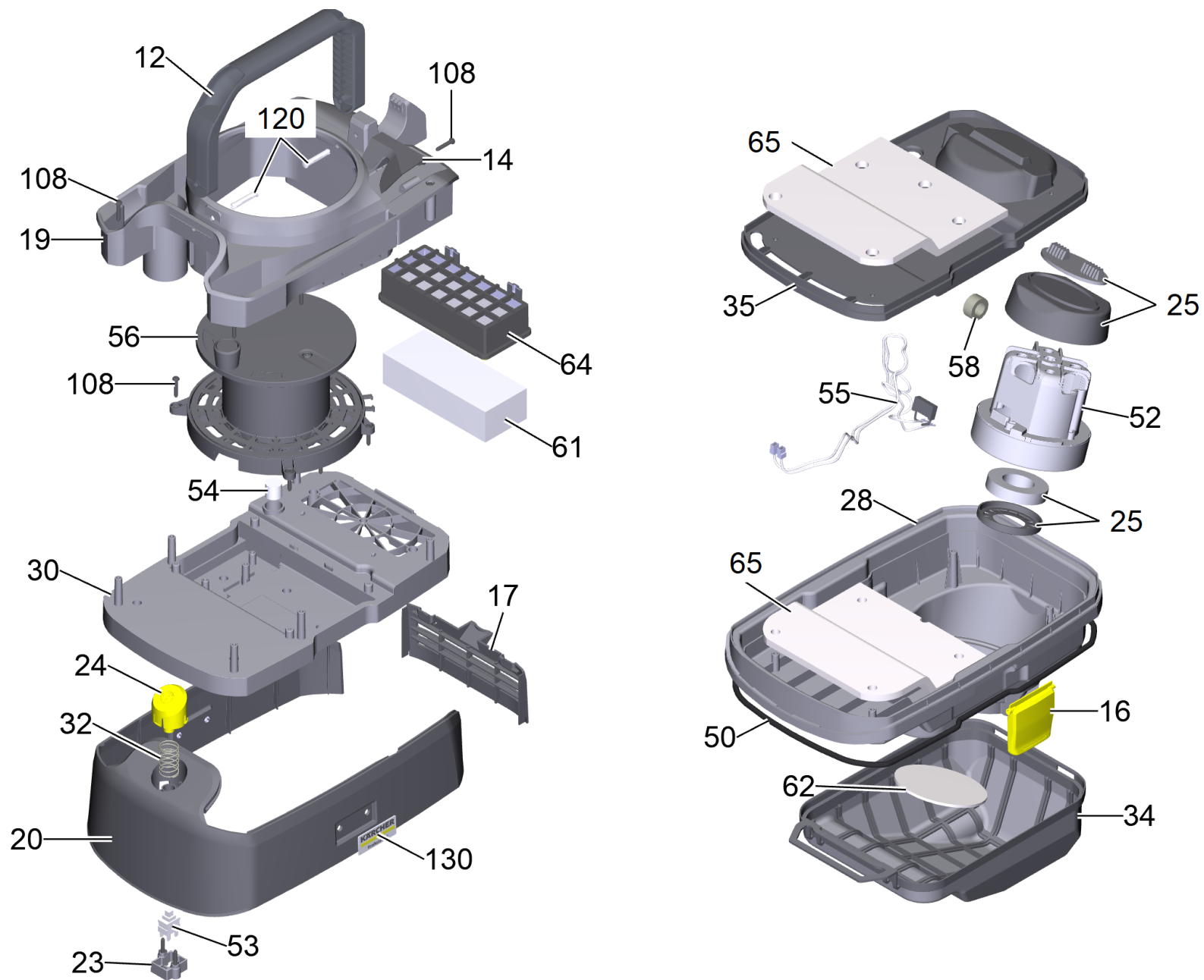


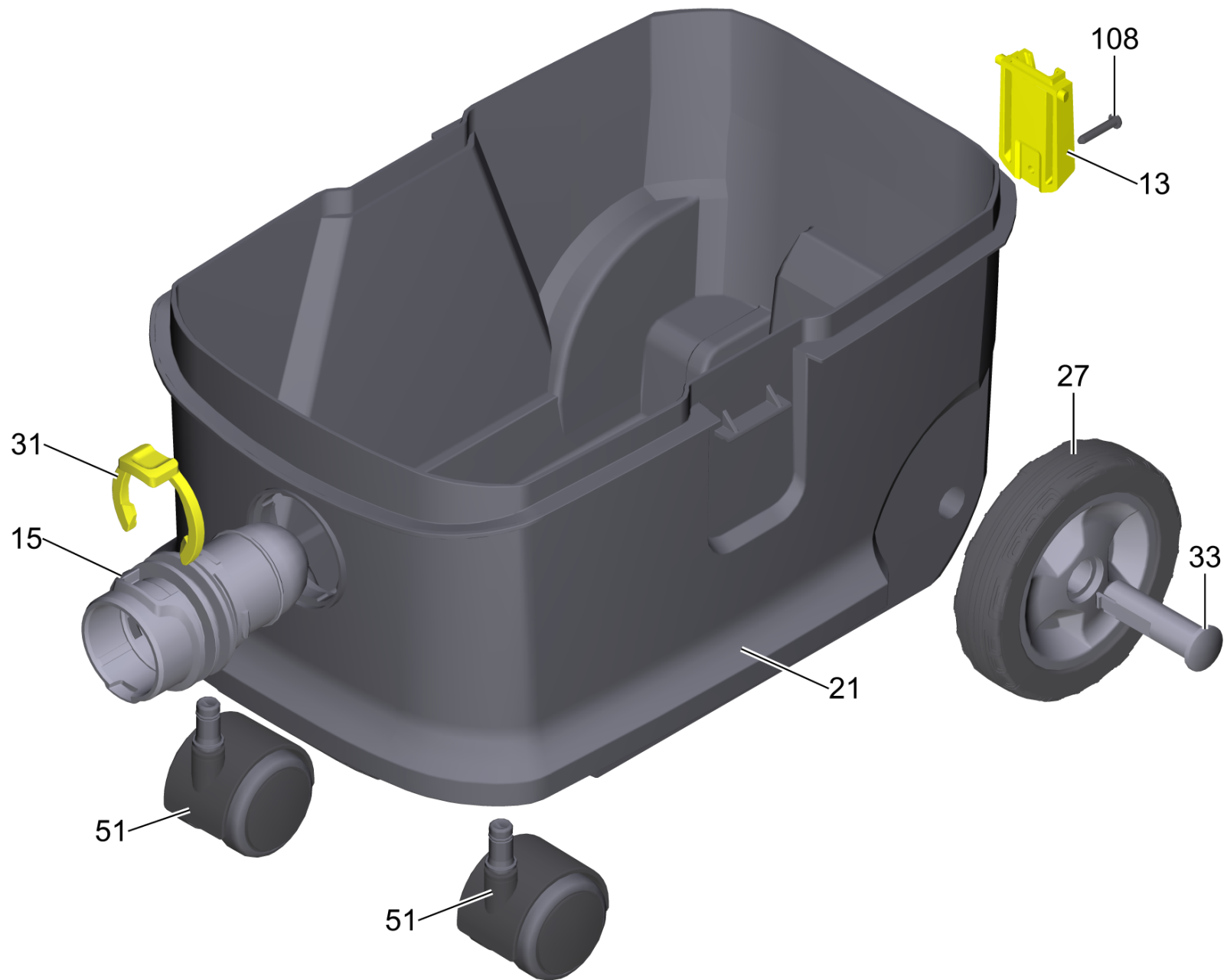
## **Spare parts list** (1.527-300.0) T 10/1

## Table of contents

---

T 10/1 (1.527-300.0)	3
56 Cable rewriter complete	8
1 Cable rewriter (6.195-107.3)	10
79 Elbow packaged antistatic NW35 2K (2.889-148.0)	12
80 Suction hose T DN35 2m (2.889-161.0)	14



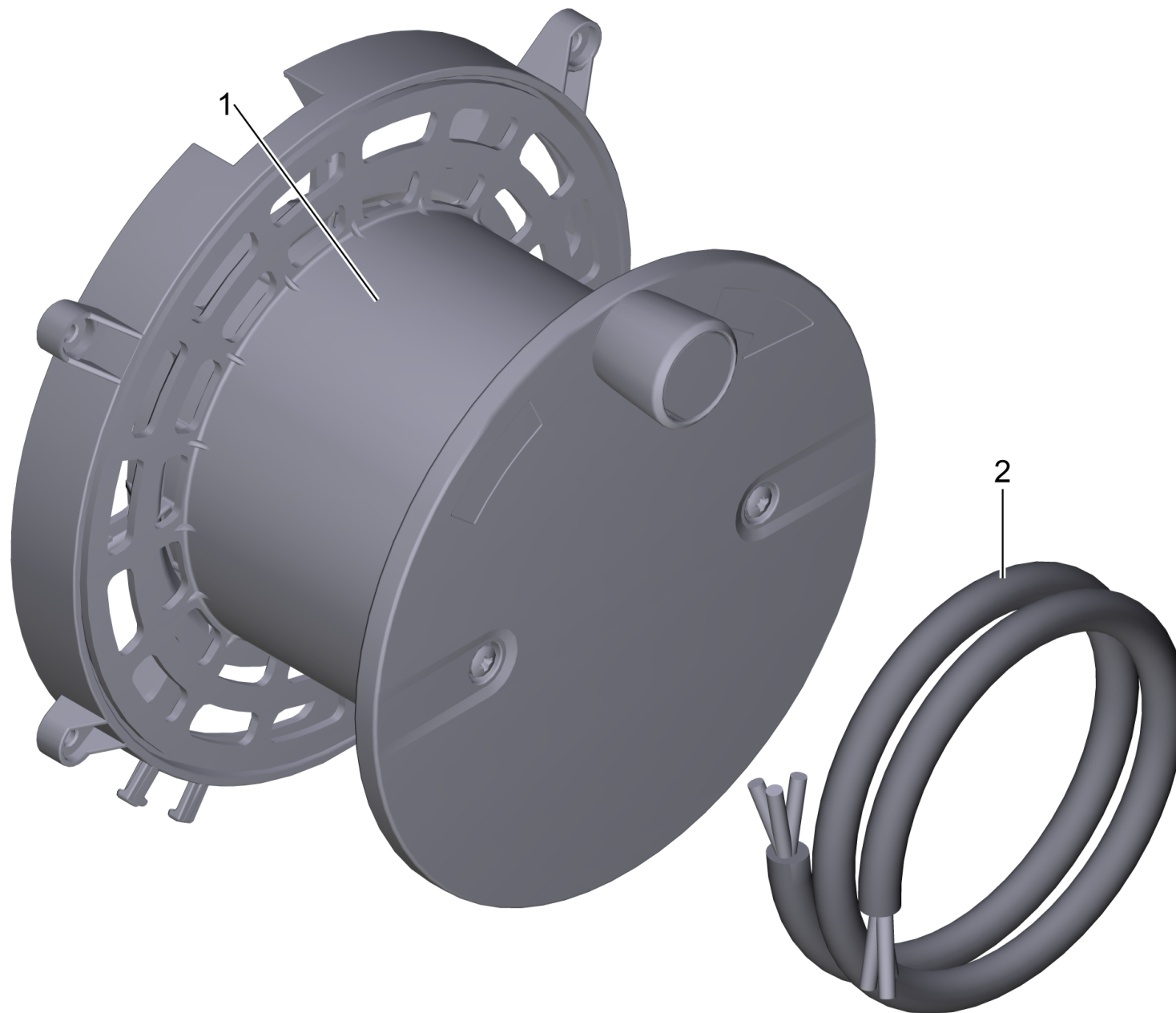




POS	Article no.	Description	Quantity	Unit
28	5.605-462.3	Base plate	1	PC
33	5.317-789.0	Bolt	2	PC
120	5.318-463.0	Bolt handle	2	PC
55	4.839-842.3	Cable motor	1	PC
56		Cable rewinder complete	1	PC
51	6.435-707.0	Castor	2	PC
81	2.860-278.0	Combination nozzle RD 270+	1	PC
19	5.069-655.3	Cover above	1	PC
35	5.605-464.3	Cover air circulation separation	1	PC
20	5.069-660.3	Cover side	1	PC
85	6.900-385.0	Crevice nozzle DN35	1	PC
79	2.889-148.0	Elbow packaged antistatic NW35 2K	1	PC
25	4.101-261.0	Engine support cpl. for replacement	1	PC
58	6.346-045.0	Ferrite ring	1	PC
83	2.885-908.0	Filter bag fleece	1	PC
17	5.038-722.3	Filter grate exhaust opening	1	PC
64	5.064-631.0	Filter housing	1	PC
34	2.885-909.0	Filtering basket complete	1	PC
62	2.885-910.0	Filter motor protecting	1	PC
900	2.860-277.0	Floor tool TURBO DN 35/32	1	PC
30	5.605-463.3	Flow air cover	1	PC
61	6.414-137.0	Foam filter housing	1	PC
54	6.286-292.0	Foam for cables	1	PC
12	5.322-517.3	Handle	1	PC
13	5.038-740.3	Holder accessories T range	1	PC
23	5.324-241.0	Holder main switch	1	PC
65	4.101-262.0	Insulating mat set cpl. for replacement	1	PC
130	5.385-501.0	Label logo clipped M Professional	2	PC
16	5.038-733.0	Locking clip	2	PC
31	5.343-022.0	Locking ring	1	PC
24	5.324-240.3	Main switch	1	PC
108	7.303-096.0	Screw 4x22-ST-10.9-R2R (IN6RD)	20	PC
50	6.273-189.0	Seal string cellular rubber	1	PC

## T 10/1 (1.527-300.0)

POS	Article no.	Description	Quantity	Unit
32	5.332-241.0	Spring switch	1	PC
14	5.038-732.3	Strain relief	1	PC
15	5.034-163.0	Suction connection T	1	PC
80	2.889-161.0	Suction hose T DN35 2m	1	PC
82	6.902-074.0	Suction tube T/NT DN35 505mm St	2	PC
53	6.630-032.0	Switch	1	PC
21	5.070-302.3	Tank 10l	1	PC
52	6.490-400.3	Vacuum motor	1	PC
27	5.515-023.0	Wheel D120	2	PC

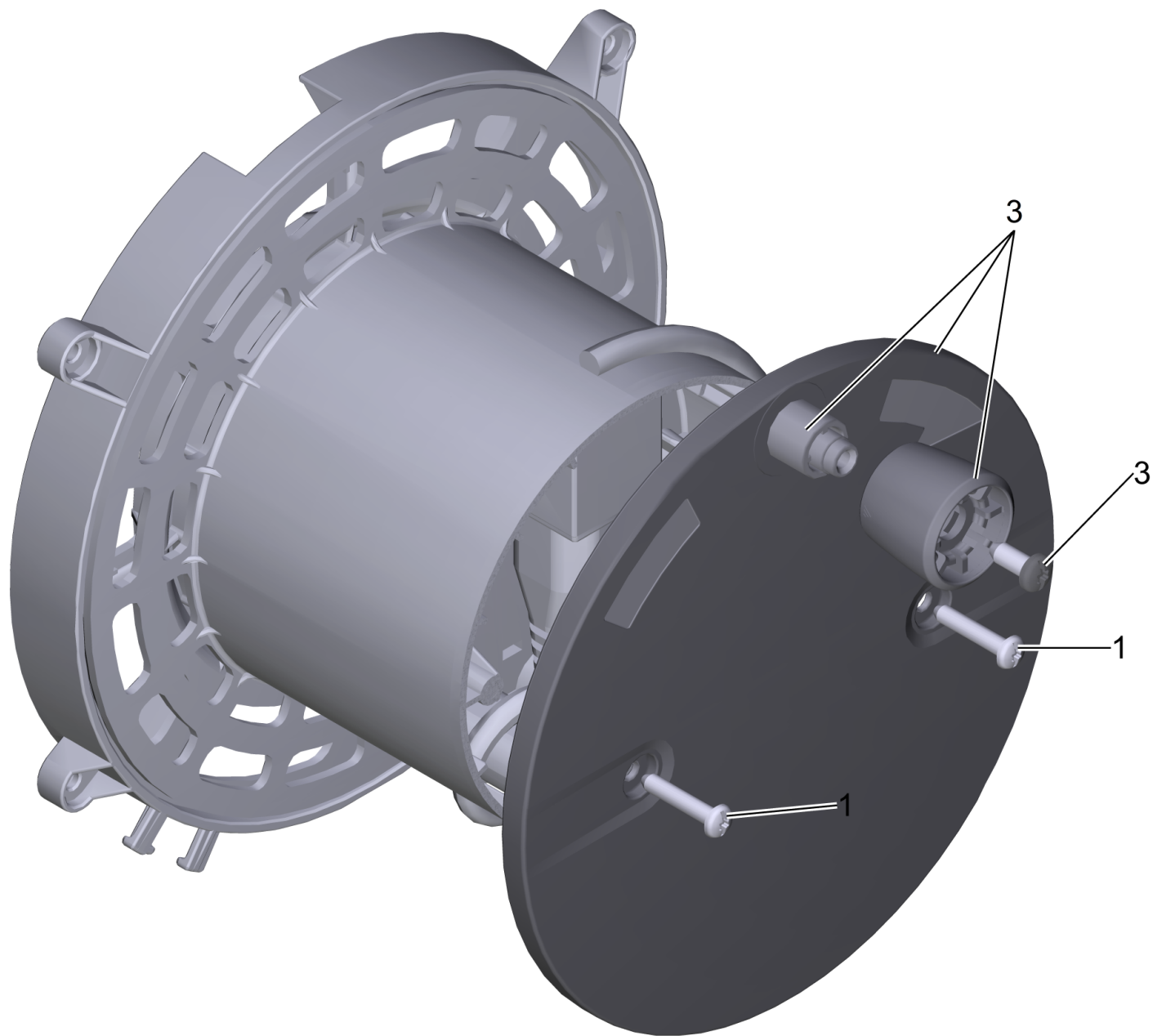




56 Cable rewinder complete

---

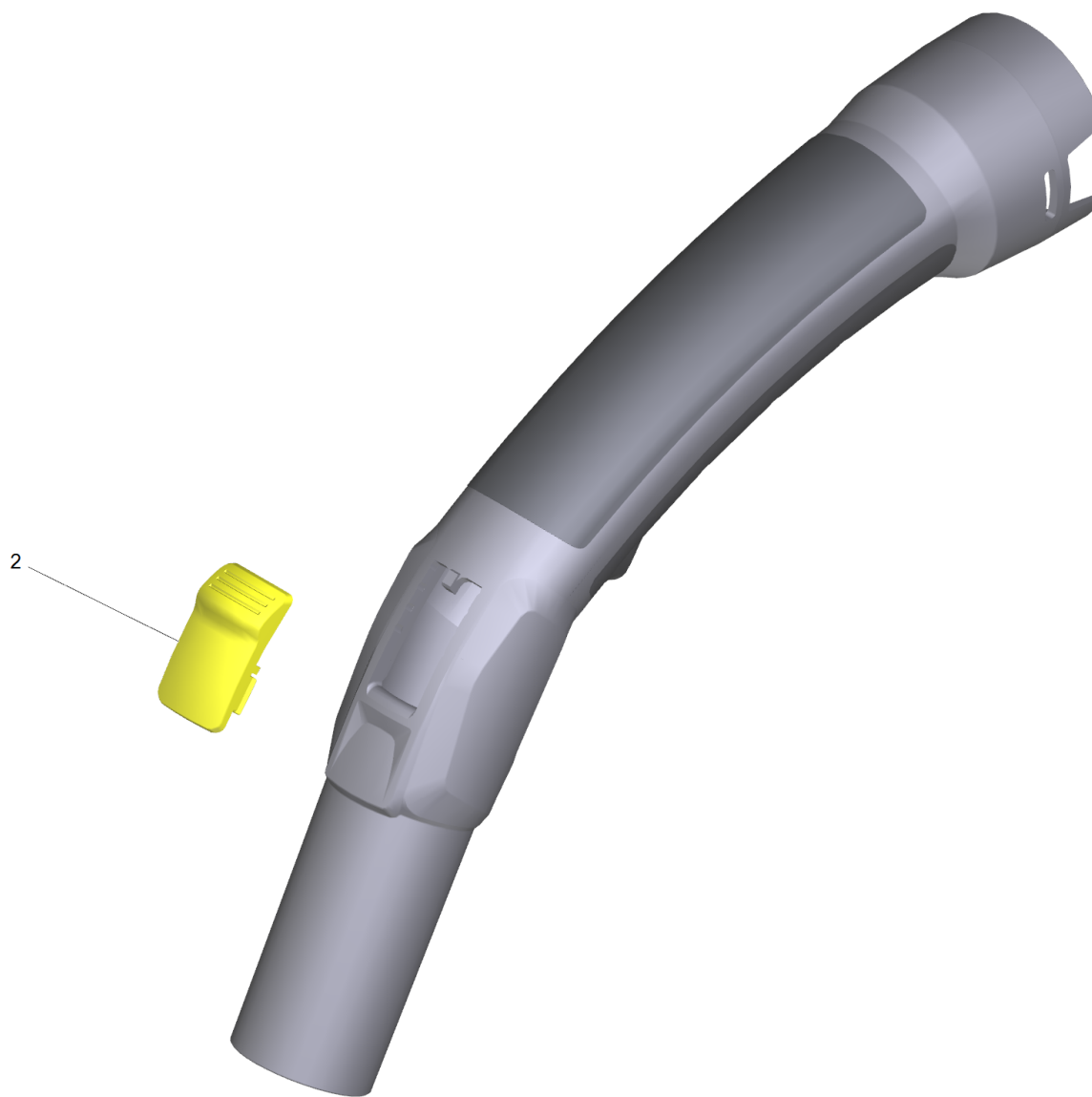
<b>POS</b>	<b>Article no.</b>	<b>Description</b>	<b>Quantity</b>	<b>Unit</b>
1	6.195-107.3	Cable rewinder	1	PC
2	6.650-915.3	Power cable CV *EU	1	PC



## 1 Cable rewinder (6.195-107.3)

---

<b>POS</b>	<b>Article no.</b>	<b>Description</b>	<b>Quantity</b>	<b>Unit</b>
3	4.101-263.3	Cover cable drum for replacement	1	PC
1	7.303-096.0	Screw 4x22-ST-10.9-R2R (IN6RD)	2	PC
2	7.303-097.0	Screw 5x12-10.9-R2R (K-In6Rd)	1	PC

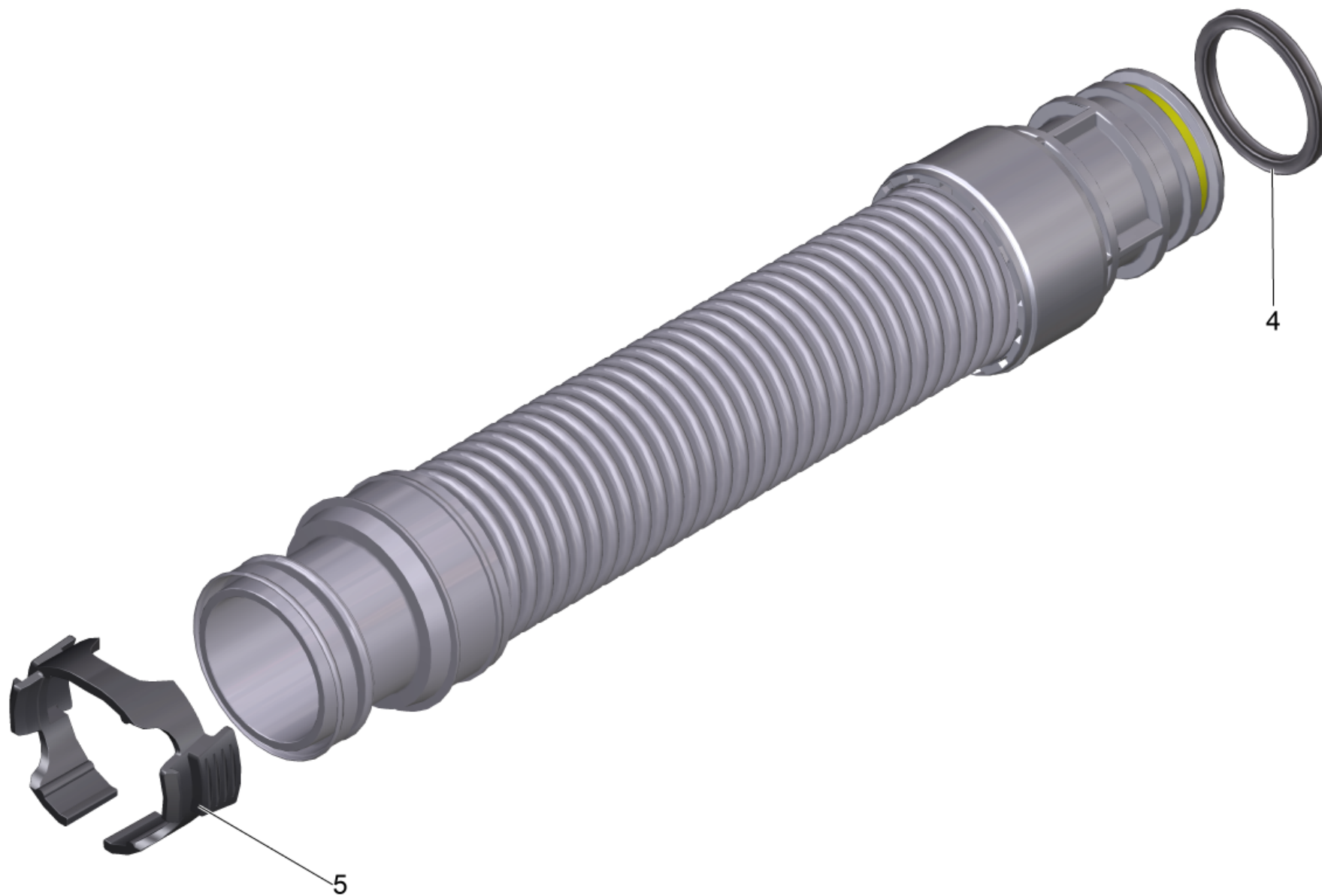


79 Elbow packaged antistatic NW35 2K (2.889-148.0)

---

<b>POS</b>	<b>Article no.</b>	<b>Description</b>	<b>Quantity</b>	<b>Unit</b>
2	4.071-800.0	Slider elbow for replacement	1	PC

---



80 Suction hose T DN35 2m (2.889-161.0)

---

<b>POS</b>	<b>Article no.</b>	<b>Description</b>	<b>Quantity</b>	<b>Unit</b>
4	5.363-255.0	Seal X-shaped	1	PC
5	5.031-140.0	Tension ring NW35	1	PC