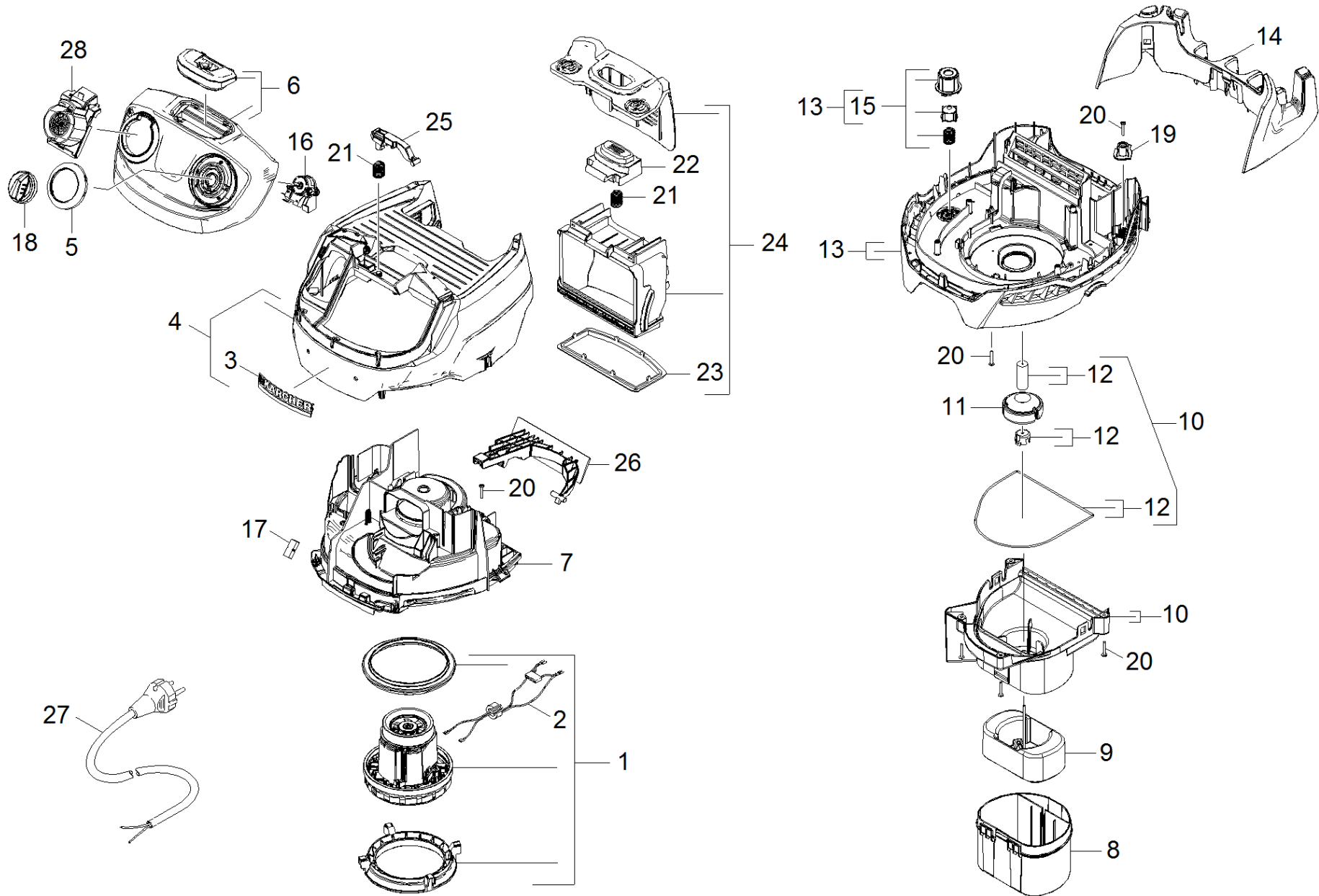


10 Appliance individual parts

Overview technical documents/Home & Garden/Vacuum cleaner/Wet-/Dry vacuum cleanerwet/MV 5 *EU-I (1.348-190.0)/Spare parts list MV 5*EU I/10 Appliance individual parts



10 Appliance individual parts

Overview technical documents/Home & Garden/Vacuum cleaner/Wet-/Dry vacuum cleanerwet/MV 5 *EU-I (1.348-190.0)/Spare parts list MV 5*EU I/10 Appliance individual parts

Rez.daļas/nodil.pakļ.daļas	Poz.	Materiāla Nr.	Nosaukums	Daudzums	Pārdoš. vienība	Daž. informācija
X-X	1	4.490-018.0	Vacuum motor complete for replacement 12	1.000	ST	
	2	9.084-344.0	Cable ferrite ring complete	1.000	ST	
	3	9.037-643.0	KAERCHER label	1.000	ST	
	4	9.002-097.0	Cover neutrally complete	1.000	ST	
	5	9.038-359.0	On-Off ring MV5	1.000	ST	
X	6	9.002-099.0	Front panel complete	1.000	ST	
	7	9.038-271.0	Air circulation	1.000	ST	
X	8	9.038-264.0	Float cage	1.000	ST	
	9	9.002-032.0	Floater complete MV4	1.000	ST	
X-X	10	9.002-033.0	Cover floater complete MV4	1.000	ST	
	11	9.038-070.0	Float valve	1.000	ST	
X	12	9.002-034.0	Sealing floater complete MV4	1.000	ST	
X-X	13	9.002-089.0	Motor bracket complete	1.000	ST	
X-X	14	9.038-287.0	Retainer accessories	1.000	ST	
	15	9.002-036.0	Safety valve complete MV4	1.000	ST	
X-X	16	9.002-098.0	Electrical box small complete	1.000	ST	
	17	9.085-094.0	Connection	1.000	ST	
X-X	18	9.038-362.0	Rotary switch MV	1.000	ST	
	19	9.036-997.0	Strain relief	1.000	ST	
	20	6.303-150.0	Screw 4,2x 22	14.000	ST	
	21	9.047-111.0	Spring MV	2.000	ST	
	22	9.038-283.0	Fbox button WD5	1.000	ST	
	23	9.079-080.0	Fbox Sealing	1.000	ST	
X-X	24	9.002-091.0	Filter box complete	1.000	ST	
	25	9.038-278.0	Lever spring	1.000	ST	

10 Appliance individual parts

Overview technical documents/Home & Garden/Vacuum cleaner/Wet-/Dry vacuum cleanerwet/MV 5 *EU-I (1.348-190.0)/Spare parts list MV 5*EU I/10 Appliance individual parts

Rez.daļas/nodil.pakļ.daļas	Poz.	Materiāla Nr.	Nosaukums	Daudzums	Pārdoš. vienība	Daž. informācija
	26	9.038-279.0	Flap filter	1.000	ST	
	27	9.084-301.0	Cable 5,5m 2x0,75 *CH	1.000	ST	*CH
	27	9.084-154.0	Cable H05V-F 2X0,75 A2204 *EU	1.000	ST	*EU
	28	9.013-059.0	Connection complete	1.000	ST	