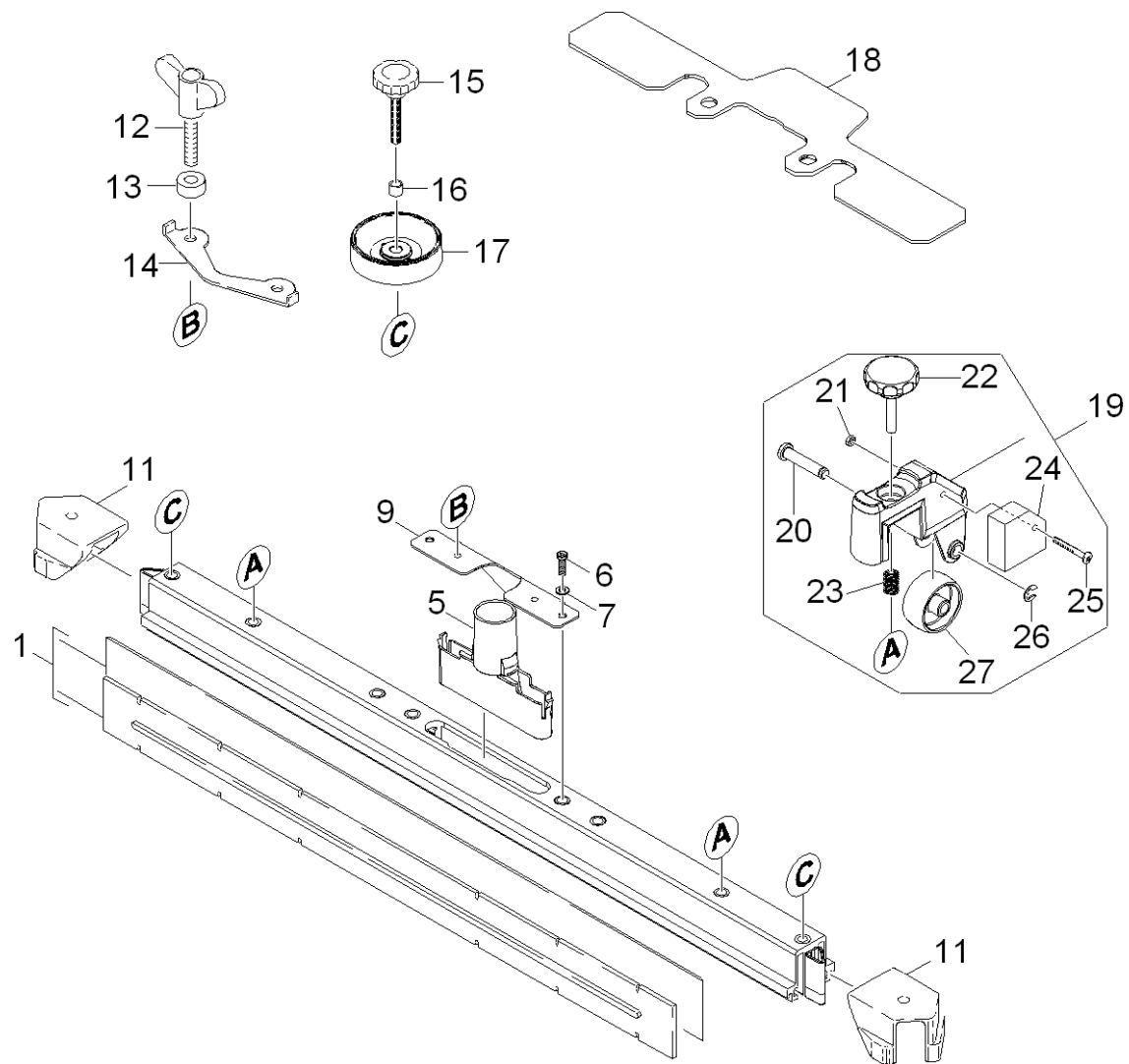


10 Suction bar straight 940mm

Overview technical documents/Professional/Floor cleaner/Walk behind/BR 65/80 W Bp DOSE *EU (1.259-124.0)/Spare parts list B 80 W/50 Suction bar/54 Suction bar/8 Suction bar/600 Spare parts list suction bar straight 94/10 Suction bar straight 940mm



10 Suction bar straight 940mm

Overview technical documents/Professional/Floor cleaner/Walk behind/BR 65/80 W Bp DOSE *EU (1.259-124.0)/Spare parts list B 80 W/50 Suction bar/54 Suction bar/8 Suction bar/600 Spare parts list suction bar straight 94/10 Suction bar straight 940mm

Rez.daļas/nodil.pakļ.daļas	Poz.	Materiāla Nr.	Nosaukums	Daudzums	Pārdoš. vienība	Daž. informācija
X-X	1	6.273-205.0	Gumijas latai - eļļizturīgas	1.000	ZSA	(890mm)
X-X	1	6.273-214.0	Gumijas mēlišu komplekts, standarta	1.000	ZSA	(890mm)
	1	6.273-291.0	BLADES FOR TEXTURED FLOORS	1.000	ST	(890mm)
X-X	1	6.273-208.0	Gumijas mēlišu komplekts, eļļizturīgas	1.000	ZSA	
	5	5.033-601.0	Suction nipple	1.000	ST	
	6	7.306-142.0	Cylinder head screw M 8x25-A4-70 ISO 47	2.000	ST	
	7	7.312-017.0	wascher	2.000	ST	
	9	5.100-559.0	Suction bar support plate	1.000	ST	
X	11	2.885-294.0	End piece left/right part	1.000	ST	
X-X	12	5.305-296.0	Spārnu skrūve M8 x 40 VA	2.000	ST	
X-X	13	5.112-810.0	Sleeve	2.000	ST	
	14	5.036-102.0	Sheet metal bracket suction bar	1.000	ST	
X-X	15	6.321-239.0	Sēņveida rokturis A Ø 50x43	2.000	ST	
X-X	16	5.094-231.0	Uzmava iesūkšanas latai	2.000	ST	
X	17	5.515-346.0	Ies. rullītis iesūkšanas latai D120	2.000	ST	
	18	5.128-339.0	Additional weight suction bar	1.000	ST	
X-X	19	4.035-339.0	Roller suction bar	2.000	ST	
	20	5.304-098.0	Bolt	2.000	ST	
	21	7.311-431.0	hexagon nut	2.000	ST	
	22	6.321-240.0	Star grip with inscription VA Ø50x43	2.000	ST	
X-X	23	5.332-504.0	Piespiedējatspere	2.000	ST	
	24	5.100-560.0	Additional weight suction bar 300 g	2.000	ST	
	25	7.306-185.0	Screw M5x 35-A2-70 (IN6RD)	2.000	ST	
	26	7.343-303.0	Locking ring 8-A2 DIN 6799	2.000	ST	
X-X	27	6.435-401.0	Ritenis D54	2.000	ST	