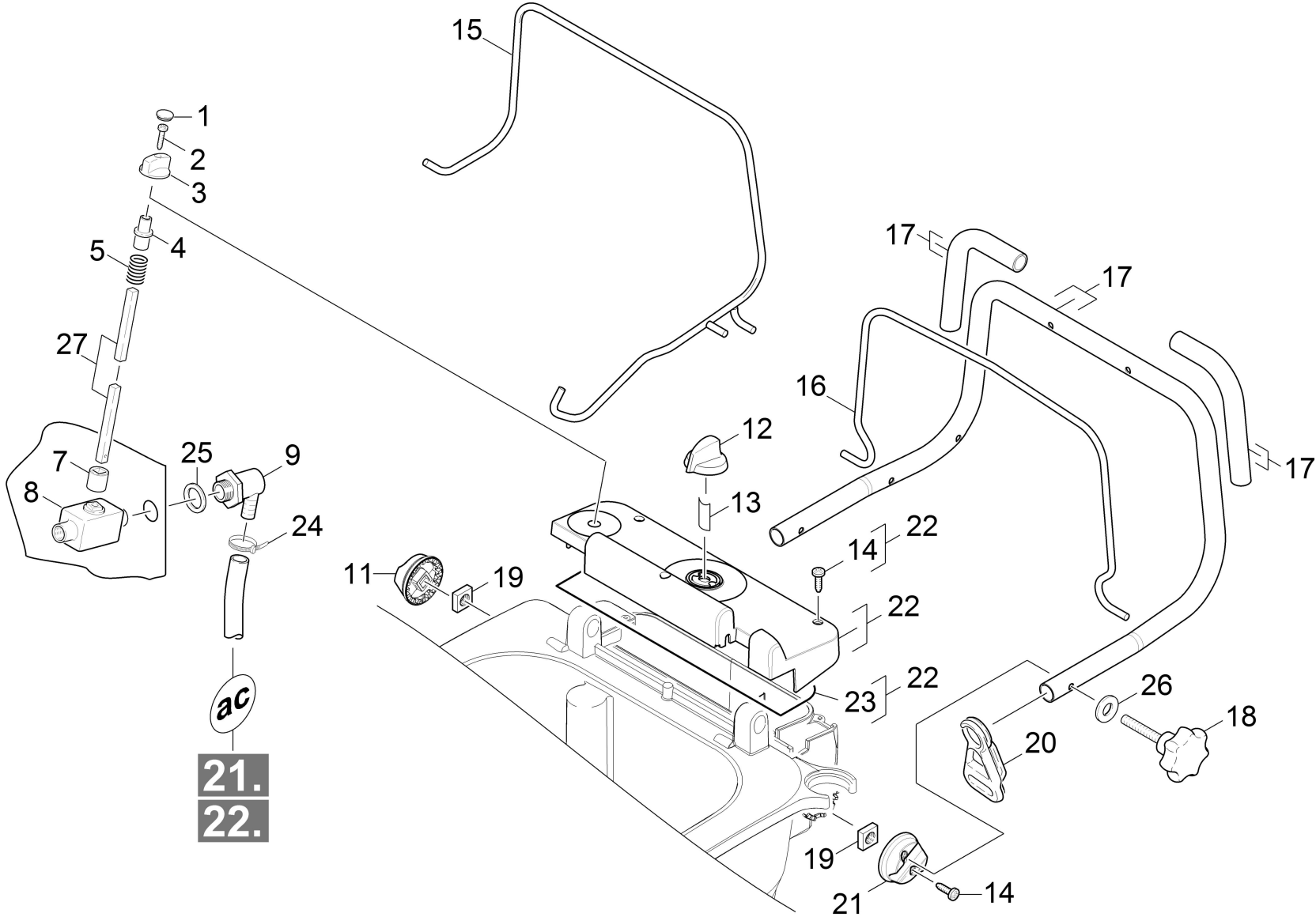


30 Individual parts



### 30 Individual parts

Rez.daļas/nodil.pakļ.daļas	Poz.	Materiāla Nr.	Nosaukums	Daudzums	Pārdoš. vienība	no sēr. Nr..	līdz sēr. Nr.
	1	6.368-076.0	Ornamental hub cap D10/D12	1.000	ST	0000000000	0000000000
	2	7.303-065.0	sheet metal screw	1.000	ST	0000000000	0000000000
	3	5.321-509.0	Handhold	1.000	ST	0000000000	0000000000
	4	5.470-034.0	Coupler	1.000	ST	0000000000	0000000000
	5	5.332-290.0	Helical spring	1.000	ST	0000000000	0000000000
X	7	5.470-068.0	Coupler	1.000	ST	0000000000	0000000000
X	8	6.412-289.0	Lodveida krāns	1.000	ST	0000000000	0000000000
X-X	9	6.395-162.0	Angle bushing G3-8	1.000	ST	0000000000	0000000000
	11	5.032-754.0	Fixing retaining bracket right	1.000	ST	0000000000	0000000000
X-X	12	5.321-738.0	Handhold operational concept	1.000	ST	0000000000	0000000000
X	13	6.313-014.0	Spailes atspere	1.000	ST	0000000000	0000000000
	14	7.303-108.0	Skrūve 5x20 -10.9-R2R (In6Rd)	5.000	ST	0000000000	0000000000
	15	4.034-138.0	Retaining bracket replacement Bp	1.000	ST		
Pozīcijas teksts: //1.515-201/-205/-206/-207/-251/-255/ -256/-257/-301/-302/-303/-307/-351/-352/ -353/-357.0							
	15	4.034-234.0	Retaining bracket complete replacement B	1.000	ST		
Pozīcijas teksts: //1.515-202/-252/-304/-354.0							
	16	4.034-233.0	Retaining bracket complete replacement B	1.000	ST		
Pozīcijas teksts: /1.515-102/-103/-108/-152/-153/-159.0							
	16	4.034-133.0	Retaining bracket replacement Bp	1.000	ST		
Pozīcijas teksts: //1.515-101/ -105/ -106/ -107/ -151/-155/ -156/ -157.0							
	17	4.034-137.0	Retaining bracket handhold replacement	1.000	ST		
Pozīcijas teksts: //1.515-201/-202/-205/-206/-207/-251 /-252/-255/-256/-257/-301/-302/-303 /-304/-307/-351/-352/-353/-354/ -357.0							
	17	4.034-132.0	Retaining bracket replacement	1.000	ST		
Pozīcijas teksts: //1.515-101/-102/-103/ -105/ -106/ -107/-151/-152/-153/-155/ -156/ -157.0							
X-X	18	6.321-179.0	Star grip	2.000	ST		