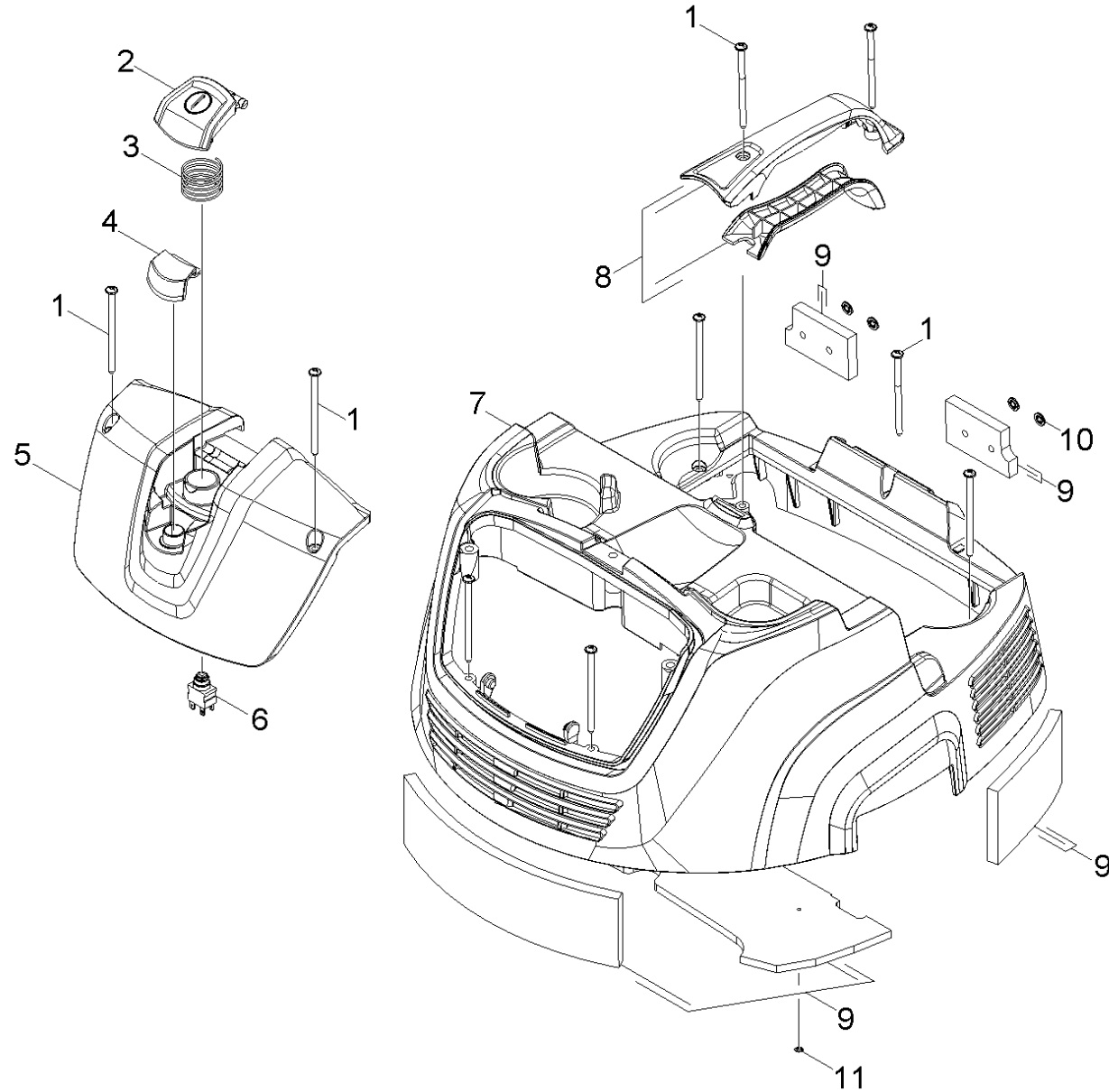


10 Cover

Professional \ Vacuum cleaner \ Wet-/dry vacuum cleaner \ NT 65/2 Ap *EU \ Spare parts list NT 65/2 Ap \ Cover



10 Cover

Professional \ Vacuum cleaner \ Wet-/dry vacuum cleaner \ NT 65/2 Ap *EU \ Spare parts list NT 65/2 Ap \ Cover

KÄRCHER

POS	Article no.	Description	Quantity	Unit
1	7.303-171.0	Screw 5x80 -10.9-R2R (K-In6Rd)	7	PC
2	5.324-123.0	Pushbutton	1	PC
3	5.332-523.0	Spring switch	1	PC
4	5.033-795.0	Covering cap	1	PC
5	5.841-509.0	Control panel	1	PC
6	6.630-465.0	Switch	1	PC
7	5.069-270.0	Cover	1	PC
8	4.322-014.0	Handhold set Ap	1	PC
9	2.286-002.0	Insulating mat set cover	1	PC
10	6.343-169.0	Quick-fastener	4	PC
11	6.343-145.0	Lock washer 5	2	PC