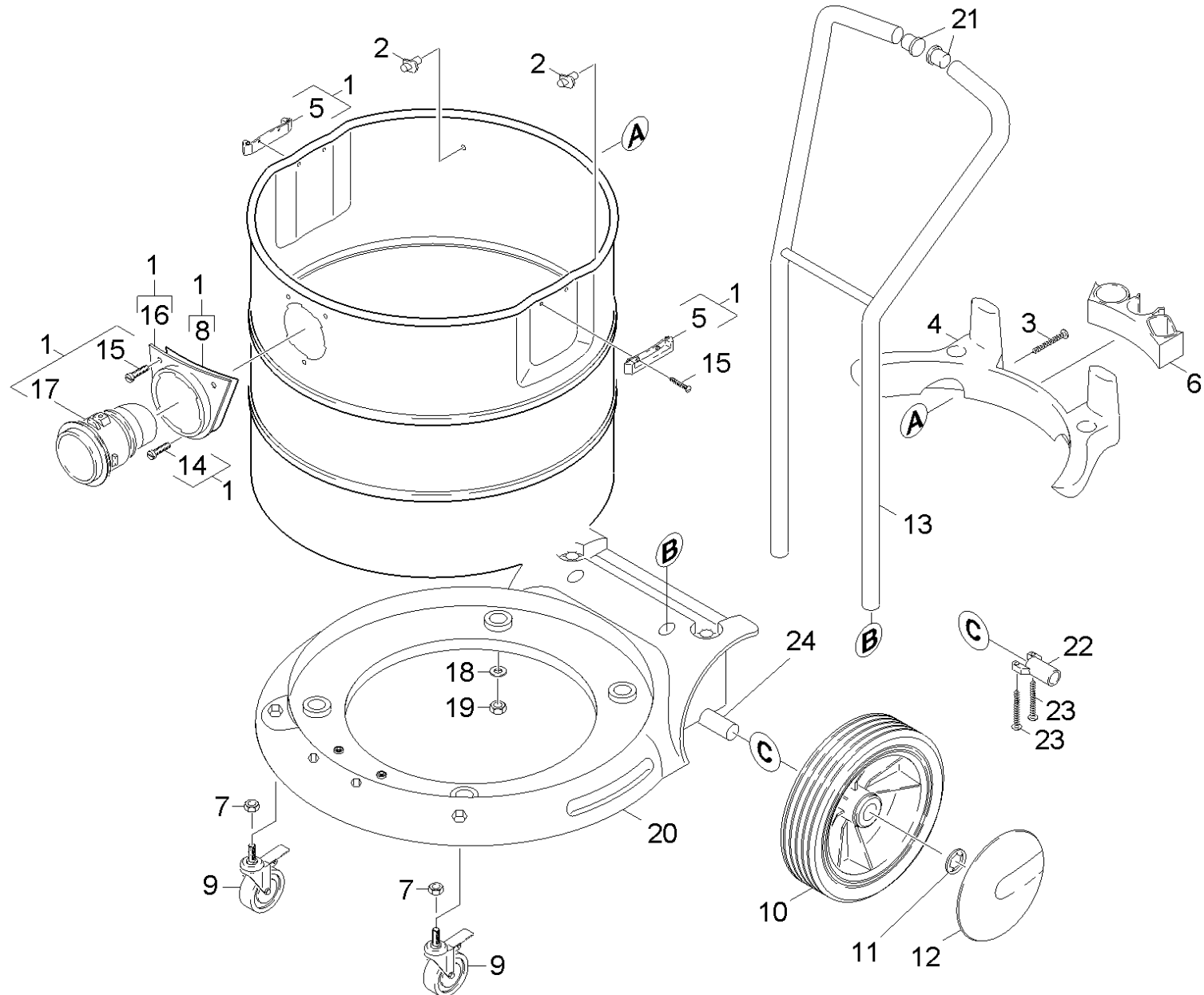


# 40 Tank individual parts

Professional \ Vacuum cleaner \ Wet-/dry vacuum cleaner \ NT 65/2 Ap Me \*EU \ Spare parts list NT 65/2 Ap Me \ Tank individual parts



## 40 Tank individual parts

Professional \ Vacuum cleaner \ Wet-/dry vacuum cleaner \ NT 65/2 Ap Me \*EU \ Spare parts list NT 65/2 Ap Me \ Tank individual parts



POS	Article no.	Description	Quantity	Unit
16	5.032-412.3	Adapter box metal	1	PC
24	5.116-096.0	Axle	1	PC
21	6.368-309.0	Cap	2	PC
9	6.435-384.0	Castor with brake 75	2	PC
20	5.521-037.3	Chassis	1	PC
2	5.032-285.0	Fixing	2	PC
19	7.311-068.0	Hexagon nut M 8-A2-70 ISO 4032	4	PC
7	7.311-423.0	Hexagon nut M10 -04-A2E DIN 985	2	PC
6	5.032-014.0	Holder accessories	1	PC
4	5.032-370.3	Holder accessories large TCI	1	PC
22	5.032-286.0	Holder axle	2	PC
5	5.032-383.3	Holder closure	2	PC
11	6.343-168.0	Lock washer	2	PC
13	4.050-678.3	Push rod complete	1	PC
15	7.303-116.0	Screw 4x12-A2-70 (IN6RD)	6	PC
14	7.303-129.0	Screw 4x16-10.9-R2R (K-In6Rd)	1	PC
23	7.303-086.0	Screw 5x30 -10.9-R2R (K-In6Rd)	4	PC
3	7.303-171.0	Screw 5x80 -10.9-R2R (K-In6Rd)	2	PC
8	5.363-591.0	Seal	1	PC
17	5.031-602.0	Suction connection	1	PC
1	4.071-227.0	Tank metal complete	1	PC
18	7.312-017.0	Washer 8-A2 ISO 7089	4	PC
12	6.435-349.0	Wheel cap black neutrally	2	PC
10	6.435-196.0	Wheel D 180	2	PC