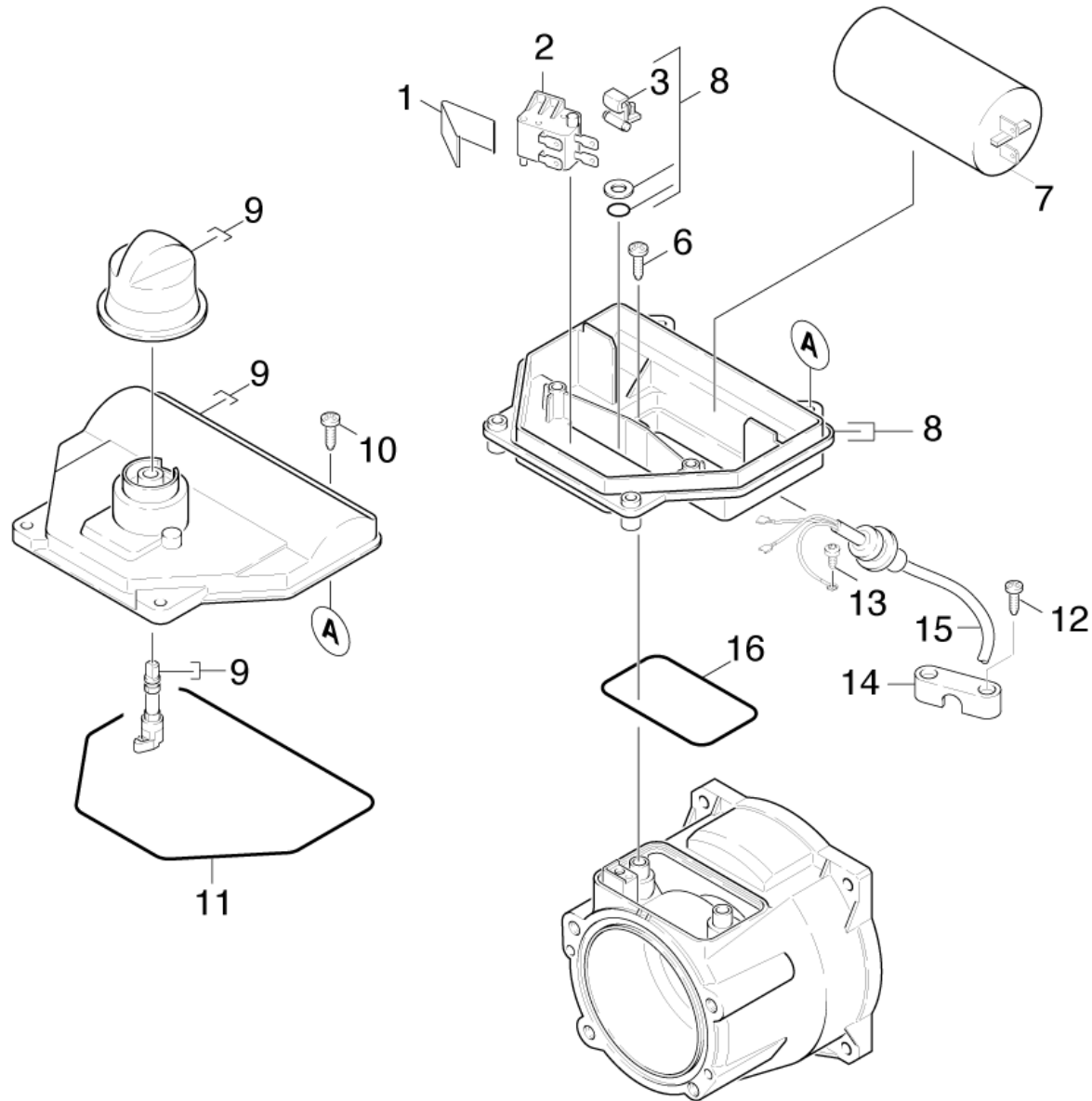


50 Electric control box

Professional \ High pressure cleaner cold water \ Electric motor \ HD 525 S-PLUS *AU \ Spare parts list HD 525S \ Electric control box



50 Electric control box

Professional \ High pressure cleaner cold water \ Electric motor \ HD 525 S-PLUS *AU \ Spare parts list HD 525S \ Electric control box



POS	Article no.	Description	Quantity	Unit	Foot note text
15	6.647-739.0	Cable with plug	1.000	ST	
	Item text1: / 1.118-120.0 / -720.0 / -760.0				
15	6.648-971.0	Cable with plug *Aus	1.000	ST	
	Item text1: / 1.118-600.0 / -830.0				
15	6.647-404.0	Cable with plug *GB	1.000	ST	
	Item text1: / 1.118-280.0				
15	6.648-361.0	Cable with plug *RA H05RN-F 3G1/5,6M	1.000	ST	
	Item text1: / 1.118-840.0				
7	6.661-129.0	Capacitor 25MF	1.000	ST	
9	4.063-591.0	Cover electric box	1.000	ST	
8	4.800-845.0	Electric box complete only for replaceme	1.000	ST	
2	6.631-946.0	Micro switch	1.000	ST	
16	6.362-887.0	O-Ring seal 65,0 X 2,5	1.000	ST	
12	6.303-199.0	Oval head screw 4,2x 16	2.000	ST	
1	5.337-027.0	Plate spring	1.000	ST	
14	5.034-505.0	Retaining bracket cable	1.000	ST	
3	4.047-003.0	Rocker switch complete	1.000	ST	
10	6.303-125.0	Screw 5x20-Sonder In6Rd+Spitze	4.000	ST	
13	7.303-031.0	Screw M4x10 -St-P2R (In6Rd)	1.000	ST	
6	7.303-048.0	Screw M6x20 -St-R3R (In6Rd)	2.000	ST	
11	6.273-070.0	Seal string cellular rubber 4	1.000	M	TO ORDER AS CUT GOODS
15	7.777-999.0	Stockpiling discontinued	1.000	ST	
	Item text1: / 1.118-290.0				