

Spare parts list

(1.150-651.0) HD 6/15 CX *EU

Table of contents

HD 6/15 CX *EU (1.150-651.0)	4
Spare parts list HD 6/15 CX HD 7/18 CX (5.970-384.0)	5
10 Housing	6
11 Housing	7
12 Hose reel	10
2 Set (4.515-104.0)	12
14 Set (4.515-105.0)	14
20 Pump set	16
21 Cylinder head	17
8 Valve (3 Stück) (2.884-916.0)	20
11 Drain plug only for replacement (4.132-007.0)	22
22 Valve pin complete (4.584-022.0)	24
23 Nozzle insert only for replacement (4.769-034.0)	26
23 Nozzle insert (4.769-035.0)	28
26 Overflow valve (4.591-038.0)	30
31 Spindle complete (4.291-014.0)	32
100 PUMP SET HD 5/12 C (2.883-997.0)	34
20 Valve (3 Stück) (2.884-916.0)	36
100 Pump set HD 6/15 C (2.885-242.0)	38
10 Drain plug only for replacement (4.132-007.0)	40
20 Valve (3 Stück) (2.884-916.0)	42
22 Cylinder head	44
8 Valve (3 Stück) (2.884-916.0)	48
11 Drain plug only for replacement (4.132-007.0)	50
17 SPARE PARTS SET (2.883-988.0)	52
21 Valve pin complete (4.584-022.0)	54
23 Nozzle insert only for replacement (4.769-034.0)	56
23 Nozzle insert (4.769-035.0)	58
25 Spare part set (2.884-551.0)	60
26 Spare part set overflow valve (2.884-550.0)	61
30 Valve seat complete (4.481-226.0)	62
100 Pump set HD 7/18C (2.885-017.0)	64
1 Valve (3 Stück) (2.884-916.0)	65
7 Drain plug only for replacement (4.132-007.0)	67
23 Thrust guidance	69
30 Motor	72
40 Accessories	75
41 Hand trigger gun	76

Table of contents

1 HAND TRIGGER GUN EASY PRESS (4.775-463.0)	78
9002 Lever complete (4.481-209.0)	80
4 Lever complete (4.481-209.0)	82
42 Hand trigger gun	84
1 Hand trigger gun (4.775-466.0)	86
60 Adapter pipelines AVS-M22x1,5 (4.421-739.3)	88
9002 Lever complete (4.481-209.0)	90
4 Lever complete (4.481-209.0)	92
9 Adapter pipelines AVS-M22x1,5 (4.421-739.3)	94
43 Jet pipe	96
1 Jet pipe packaged only for replacement (4.760-663.0)	98
44 Nozzle	100
45 Nozzle	102
Triple jet nozzle replacement 034 (4.767-147.0)	104
2 Spare parts list triple jet nozzle (5.970-837.0)	105
10 Triple jet nozzle plastics	106
20 Triple jet nozzle brass	108
Triple jet nozzle only for replacement 0 (4.767-151.0)	110
2 Spare parts list triple jet nozzle (5.970-837.0)	111
10 Triple jet nozzle plastics	112
20 Triple jet nozzle brass	114
Triple jet nozzle only for replacement 0 (4.767-152.0)	116
Triple jet nozzle only for replacement 0 (4.767-153.0)	118
2 Spare parts list triple jet nozzle (5.970-837.0)	119
10 Triple jet nozzle plastics	120
20 Triple jet nozzle brass	122
Triple jet nozzle only for replacement 0 (4.767-157.0)	124
2 Spare parts list triple jet nozzle (5.970-837.0)	125
10 Triple jet nozzle plastics	126
20 Triple jet nozzle brass	128
46 Nozzle	130
50 Electric box	132
51 Electric box	133
52 Electric box	136

HD 6/15 CX *EU (1.150-651.0)

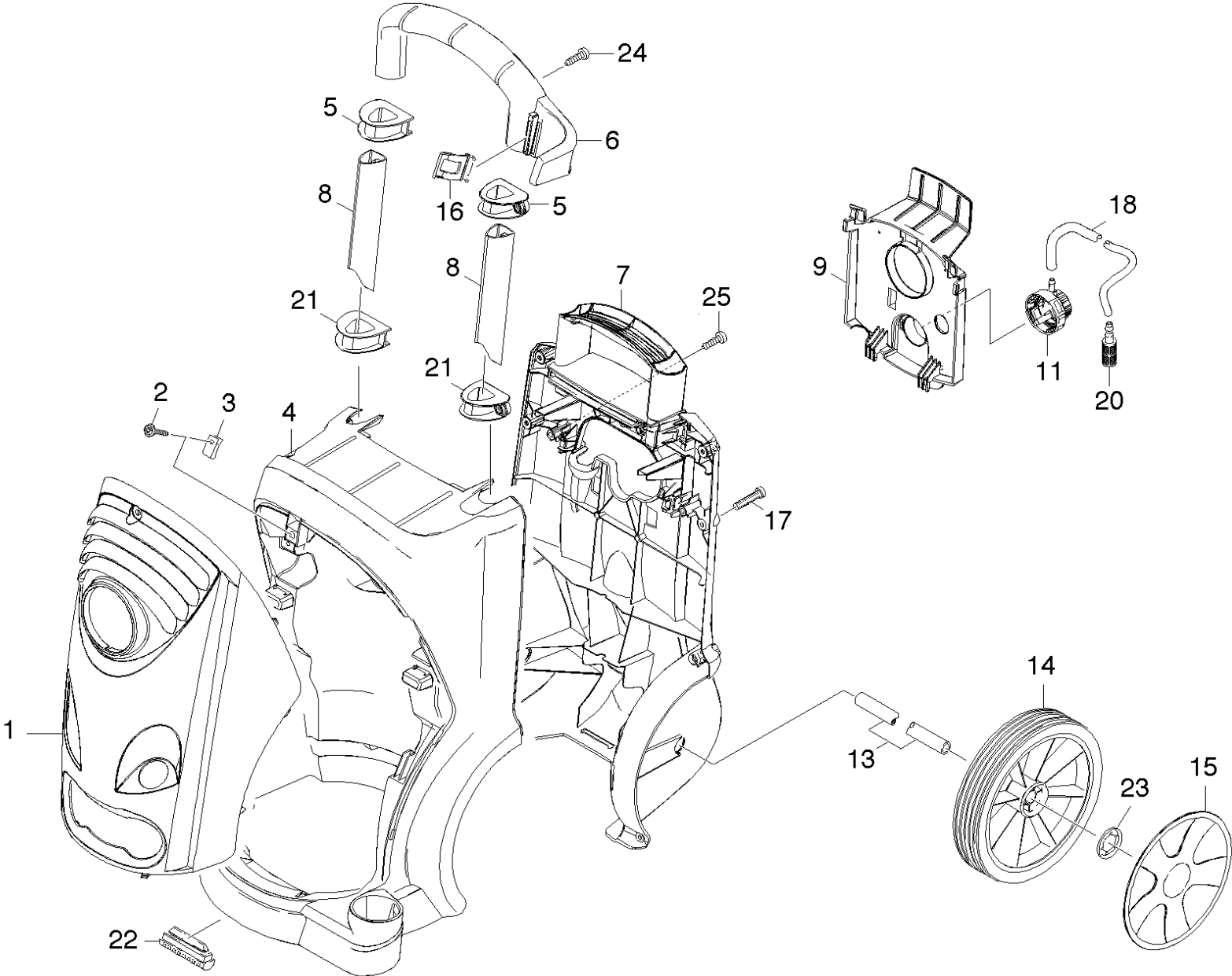
POS	Article no.	Description	Quantity	Unit
0	5.970-384.0	Spare parts list HD 6/15 CX HD 7/18 CX	1	PC
Item text2: 3F5EC49208DA0066E1000000C34F56CF15145010				

Spare parts list HD 6/15 CX HD 7/18 CX (5.970-384.0)

POS	Description	Quantity	Unit
10	Housing	1	PC
20	Pump set	1	PC
30	Motor	1	PC
40	Accessories	1	PC
50	Electric box	1	PC

10 Housing

POS	Description	Quantity	Unit
11	Housing	1	PC
12	Hose reel	1	PC

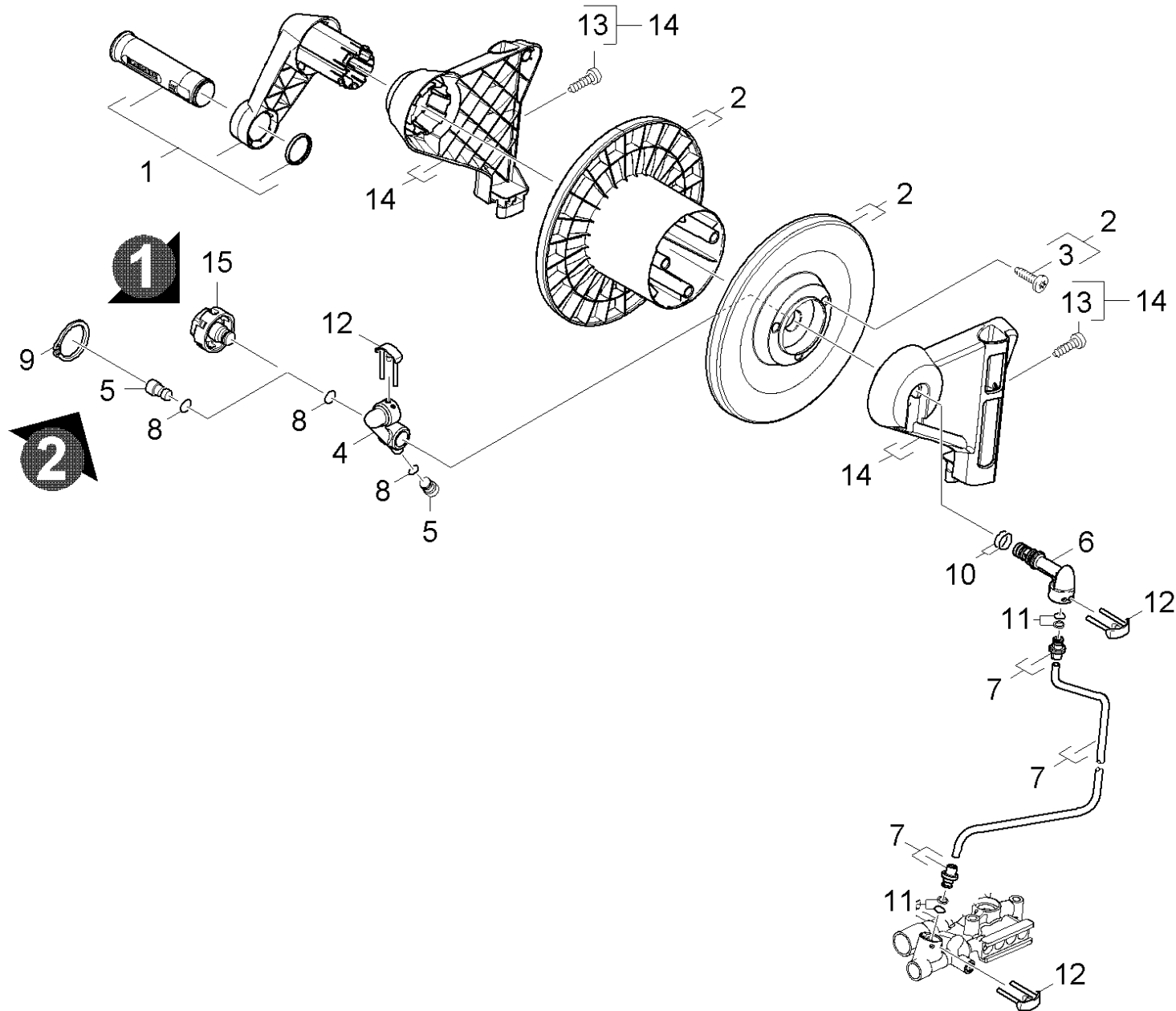


11 Housing

POS	Article no.	Description	Quantity	Unit	Foot note text
1	5.069-121.0	Device cover	1	PC	
	Item text1: 1.150-651.0/-652.0/-653.0/-654.0/-657.0 1.151-651.0/-652.0/-653.0/-654.0/ 1.214-126.0				
1	5.069-202.3	Device cover for replacement	1	PC	
	Item text1: 1.151-611.0				
2	6.304-099.0	Saucer-head screw M 6x 18-4.8-R2R	1	PC	
3	6.310-053.0	Putting nut	1	PC	
4	5.050-206.3	Frame front part	1	PC	
5	5.032-554.0	Guide	2	PC	
6	5.321-721.0	Hand grip	1	PC	
7	5.050-207.3	Frame rear panel for replacement	1	PC	
8	5.107-248.0	Bar shearing shackle	2	PC	
9	5.032-648.0	Covering cap	1	PC	
11	4.063-778.0	Proportioning valve chemistry	1	PC	
13	5.105-399.0	Axle	1	PC	
14	6.435-756.0	Wheel grey D200	2	PC	
	Item text1: 1.151-611.0				
14	6.435-662.0	Wheel D200	2	PC	
	Item text1: 1.150-651.0/-652.0/-653.0/-654.0/-657.0 1.151-651.0/-652.0/-653.0/-654.0/ 1.214-126.0				
15	4.515-103.0	Spare parts set wheel cap	1	PC	SET OF 2 PIECES
	Item text1: 1.150-651.0/-652.0/-653.0/-654.0/-657.0 1.151-651.0/-652.0/-653.0/-654.0/ 1.214-126.0				
15	4.515-273.0	Spare parts set wheel cap	1	PC	SET OF 2 PIECES
	Item text1: 1.151-611.0				
16	5.044-216.0	Holder	1	PC	
17	7.303-108.0	Screw 5x20 -10.9-R2R (In6Rd)	10	PC	
18	6.388-216.0	Hose DN 5	1	m	TO ORDER AS CUT GOODS
20	5.731-652.0	Filter with weight	1	PC	
21	5.032-555.0	Guide	2	PC	
22	5.057-062.0	Support	2	PC	
	Item text1: 1.150-651.0/-652.0/-653.0/-654.0/-657.0 1.151-651.0/-652.0/-653.0/-654.0/ 1.214-126.0				
22	5.057-077.0	Support	2	PC	
	Item text1: 1.151-611.0				
23	6.343-168.0	Lock washer	2	PC	
24	7.303-046.0	Screw M6x12 -St-R3R (In6Rd)	2	PC	

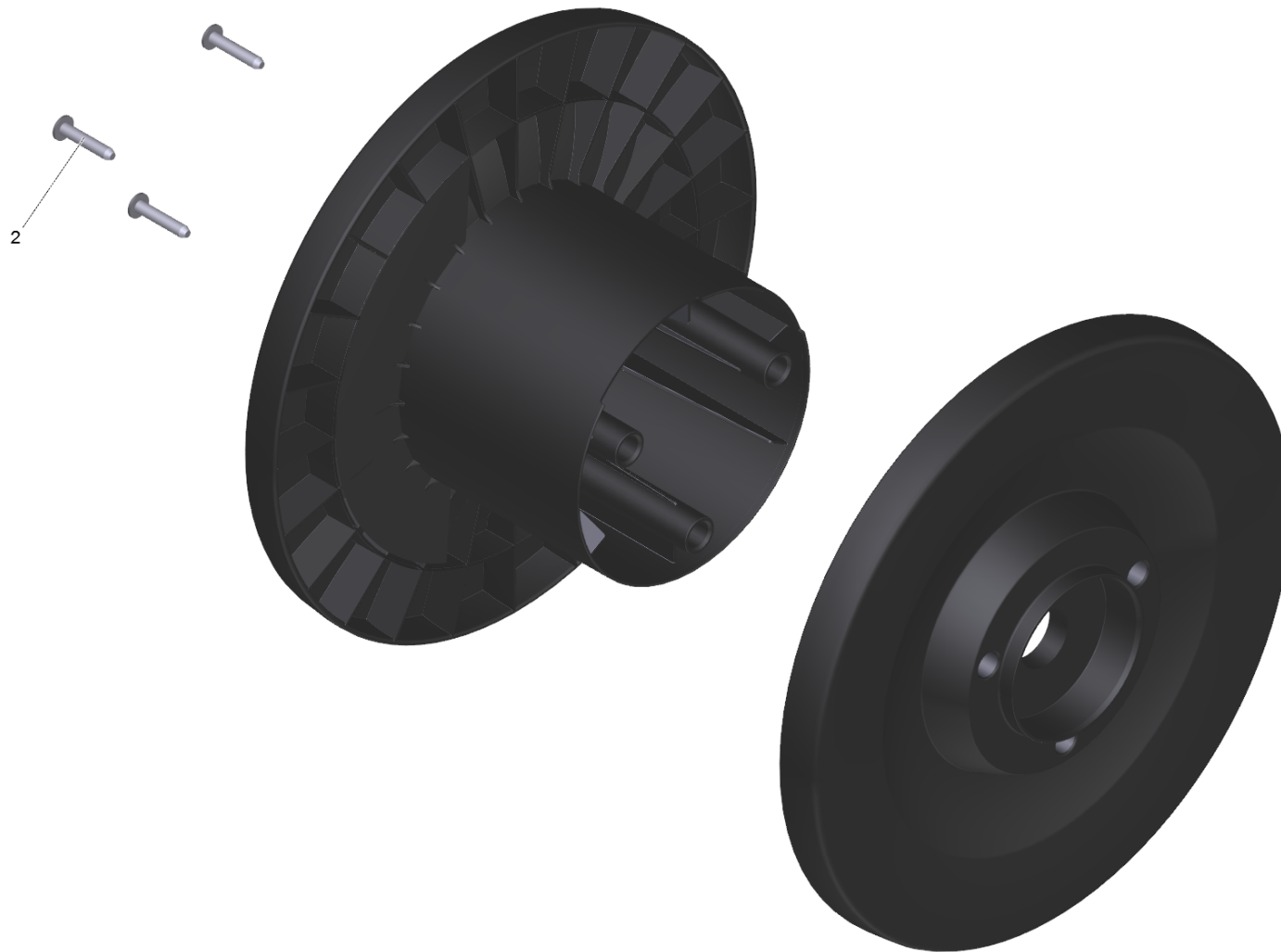
11 Housing

POS	Article no.	Description	Quantity	Unit	Foot note text
25	7.303-156.0	Screw M6x40 -St-P3R (In6Rd)	2	PC	



12 Hose reel

POS	Article no.	Description	Quantity	Unit	Remark
1	4.481-213.0	Crank complete	1	PC	
2	4.515-104.0	Set	1	PC	
3	7.303-109.0	Screw 5x25 -10.9-R2R (In6Rd)	3	PC	
4	5.427-326.0	Manifold	1	PC	
5	5.411-161.0	CLOSING SCREW M10X1	2	PC	
6	5.427-328.0	Manifold	1	PC	
7	4.421-838.0	Pipelines complete	1	PC	
	Item text1: 1.150-651.0/ -652.0/ -653.0/ -654.0 /				
	Item text2: 1.150-657.0 1.214-126.0				
7	4.421-959.0	Pipelines complete	1	PC	
	Item text1: 1.151-611.0/ -651.0/ -652.0 / -653.0 / -654.0 / -655.0 / -656.0 /				
8	6.362-703.0	O-Ring seal 6,0x1,5-NBR 70	2	PC	
9	7.343-018.0	Locking ring 18x1,2-Rf-St DIN 471	1	PC	VERSION 2
10	4.363-693.0	O-Ring seal kpl. -nur fuer Ersatz-	2	PC	
11	4.363-691.0	O-Ring seal kpl. -nur fuer Ersatz-	2	PC	
12	4.037-013.0	Hook	3	PC	
13	7.303-046.0	Screw M6x12 -St-R3R (In6Rd)	2	PC	
14	4.515-105.0	Set	1	PC	
15	7.343-018.0	Locking ring 18x1,2-Rf-St DIN 471	1	PC	VERSION 1



2 Set (4.515-104.0)

POS	Article no.	Description	Quantity	Unit
2	7.303-109.0	Screw 5x25 -10.9-R2R (In6Rd)	3	PC

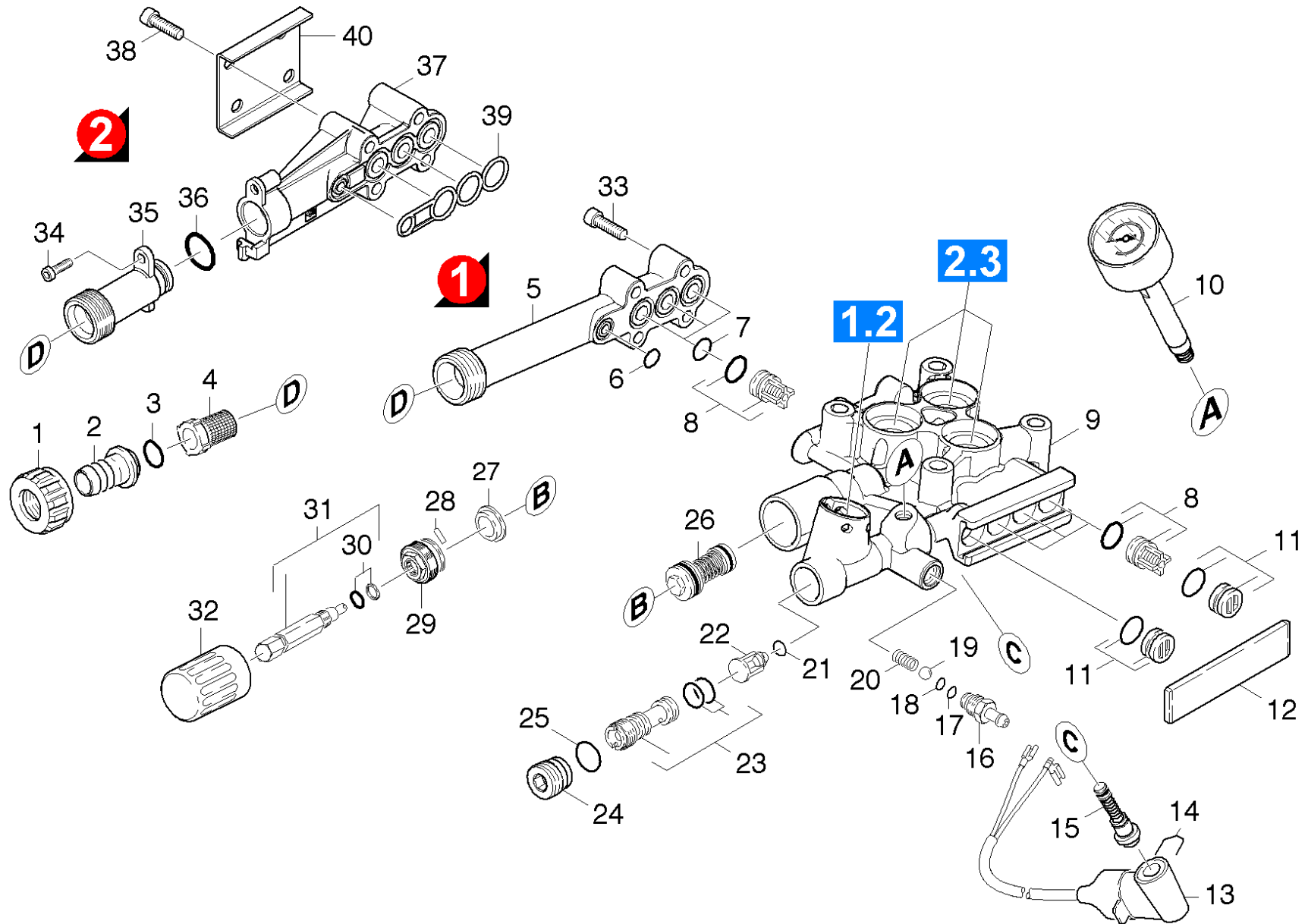


14 Set (4.515-105.0)

POS	Article no.	Description	Quantity	Unit
4	7.303-046.0	Screw M6x12 -St-R3R (In6Rd)	3	PC

20 Pump set

POS	Description	Quantity	Unit	Remark
21	Cylinder head	1	PC	HD 5/17 CX; HD 6/15 CX
22	Cylinder head	1	PC	HD 7/10 CXF / HD 7/15 CX / HD 7/18 CX
23	Thrust guidance	1	PC	

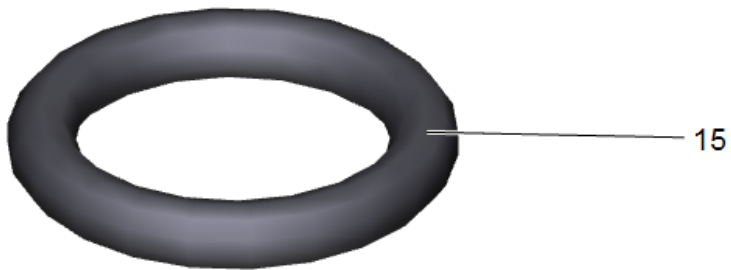
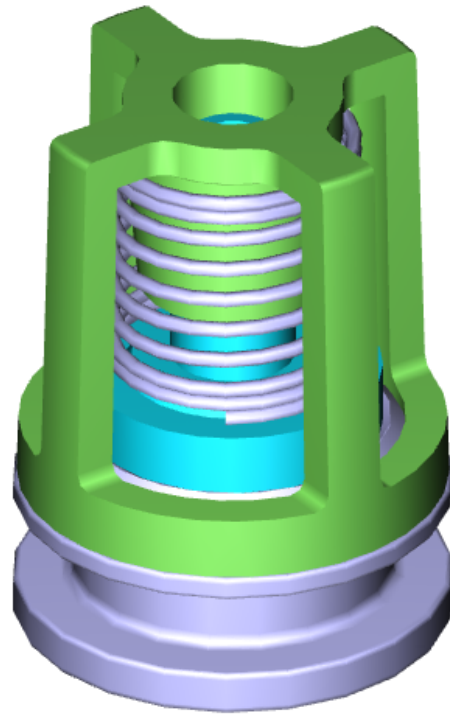


21 Cylinder head

POS	Article no.	Description	Quantity	Unit	Foot note text
1	5.310-065.0	Nut	1	PC	
2	5.443-229.0	Hose stem	1	PC	
3	6.362-078.0	O-Ring seal 13,3x2,4	1	PC	
4	6.414-252.0	Strainer	1	PC	
5	5.064-150.0	Suction cover	1	PC	
6	6.362-384.0	O-Ring seal 9x1,5 - NBR 70	1	PC	
7	6.362-533.0	O-Ring seal 14,0 X 1,5-NBR 70	3	PC	
8	2.884-916.0	Valve (3 Stück)	2	PC	
9	5.550-322.3	Cylinder head	1	PC	
	Item text1: 1.150-651.0 / -652.0 / -653.0 / -654.0 /				
	Item text2: 1.150-657.0 / 1.214-126.0				
10	6.421-349.3	Pressure gauge 0-30 MPa	1	PC	
11	4.132-007.0	Drain plug only for replacement	4	PC	
12	5.003-062.0	Plate	1	PC	
13	4.744-168.0	Switch complete	1	PC	
14	5.034-494.0	Retaining bracket	1	PC	
15	2.884-501.0	Spare part set control piston	1	PC	
16	5.443-624.0	Nipple	1	PC	
17	6.362-113.0	O-Ring seal 6,0 x 2,0 NBR 70	1	PC	
18	6.363-597.0	O-Ring seal 5,28 x 1,78	1	PC	
19	7.401-908.0	Sphere 7 G300 -1.4301 DIN 5401	1	PC	
20	5.332-258.0	Helical spring	1	PC	
21	6.363-613.0	O-Ring seal 4 x 2 -NBR90	1	PC	
22	4.584-022.0	Valve pin complete	1	PC	
23	4.769-034.0	Nozzle insert only for replacement	1	PC	
	Item text1: 1.214-126.0				
23	4.769-035.0	Nozzle insert	1	PC	
	Item text1: 1.150-651.0 /-652.0 /-653.0 /-654.0				
	Item text2: /-657.0				
24	5.411-171.0	Screw plug	1	PC	
25	6.362-480.0	O-Ring seal 12,42x 1,78	1	PC	
26	4.591-038.0	Overflow valve	1	PC	
27	5.110-630.0	Sleeve	1	PC	

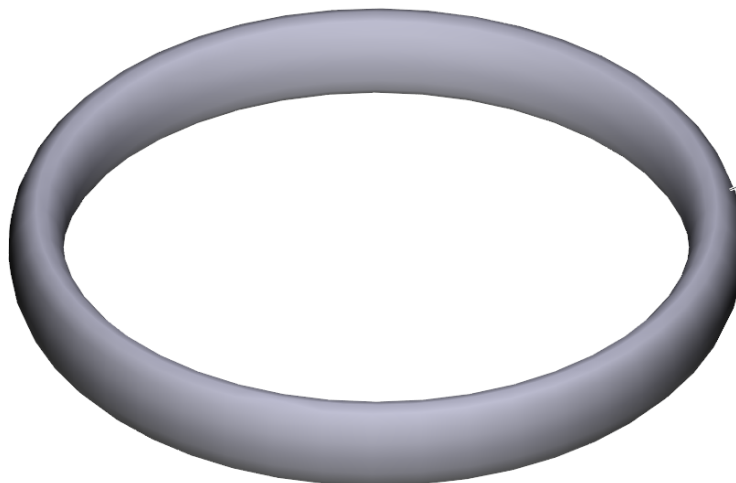
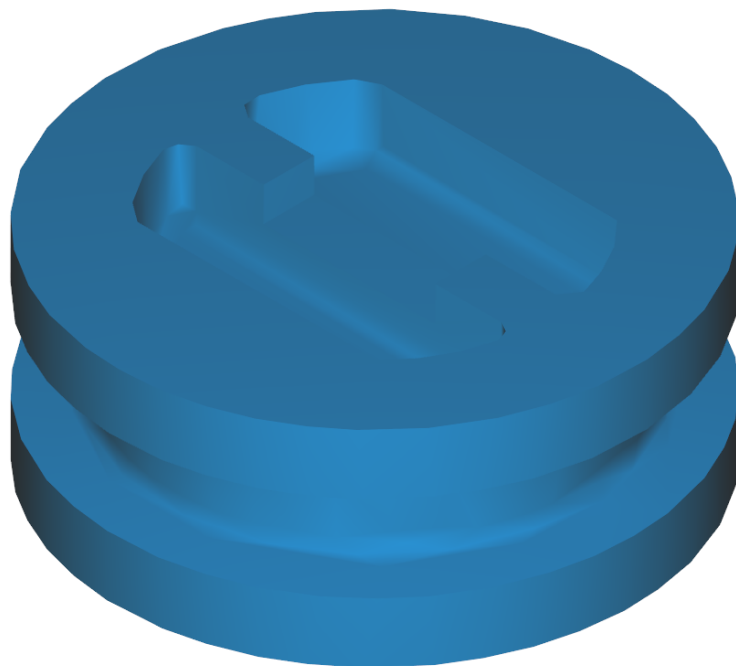
21 Cylinder head

POS	Article no.	Description	Quantity	Unit	Foot note text
28	7.314-629.0	Grooved pin 2x10 -A1 ISO 8742	1	PC	
29	5.583-147.0	Valve screw	1	PC	
30	6.362-468.0	O-Ring seal complete 1ST.-R.	1	PC	
31	4.291-014.0	Spindle complete	1	PC	
32	5.321-307.0	Handhold	1	PC	
33	7.306-105.0	Screw M6x30 -8.8-R3R (In6Rd)	4	PC	
34	7.303-108.0	Screw 5x20 -10.9-R2R (In6Rd)	1	PC	
35	5.402-727.0	Suction nipple	1	PC	
36	6.362-481.0	O-Ring seal 14,0 x 2,0 NBR 80	1	PC	
37	5.064-230.0	Suction cover	1	PC	
38	7.306-129.0	Screw M6x40 -8.8-P2R (In6Rd)	4	PC	
39	5.365-284.0	Profile gasket	1	PC	
40	5.005-314.0	Plate suction cover	1	PC	
100	2.883-997.0	PUMP SET HD 5/12 C	1	PC	
	Item text1: 1.150-651.0 / -652.0 / -653.0 / -654.0 /				
	Item text2: -657.0 / 1.214-126.0				
100	2.885-242.0	Pump set HD 6/15 C	1	PC	FOR PISTON CERAMIC COATED
	Item text1: 1.150-651.0 /-652.0 /-653.0				



8 Valve (3 Stück) (2.884-916.0)

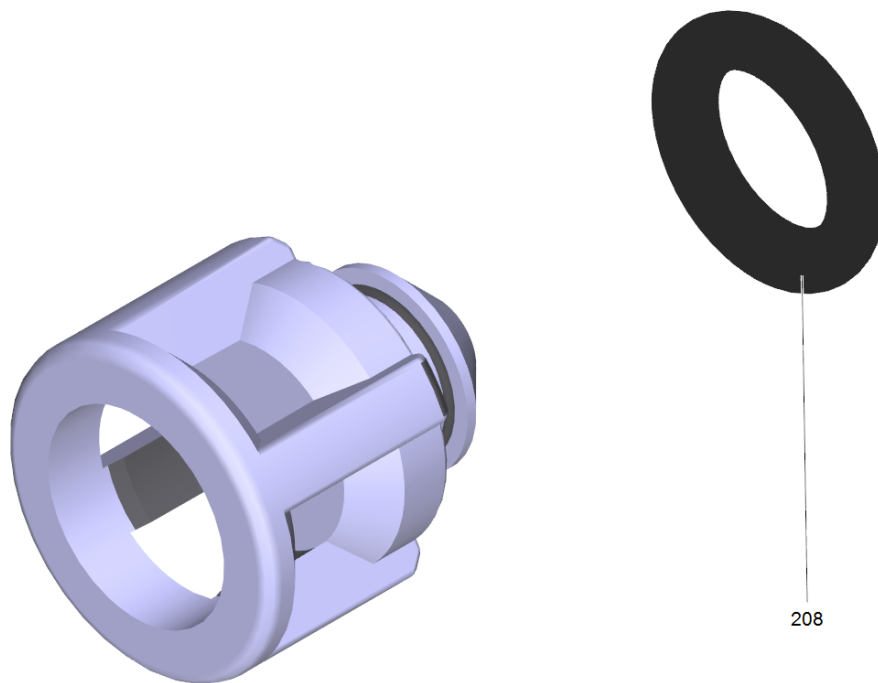
POS	Article no.	Description	Quantity	Unit
15	6.362-077.0	O-Ring seal 10 x 2,2 NBR 70	1	PC



18

11 Drain plug only for replacement (4.132-007.0)

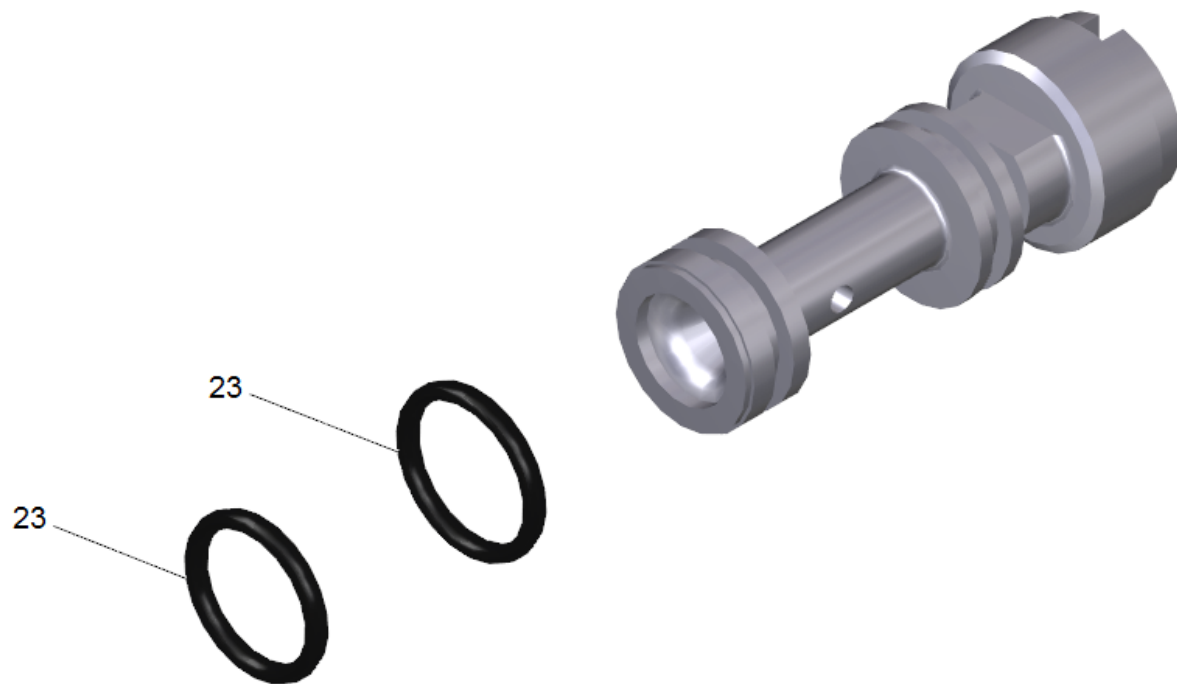
POS	Article no.	Description	Quantity	Unit
18	6.362-458.0	O-Ring seal 11,0x2,0-NBR 70	1	PC



208

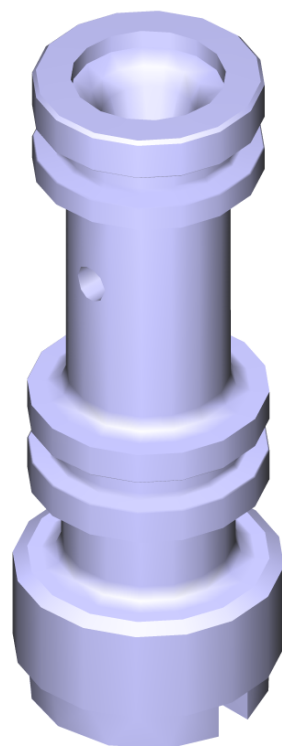
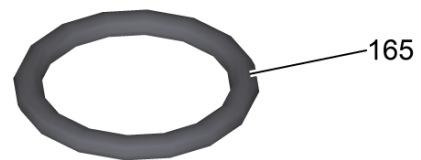
22 Valve pin complete (4.584-022.0)

POS	Article no.	Description	Quantity	Unit
208	6.363-613.0	O-Ring seal 4 x 2 -NBR90	1	PC



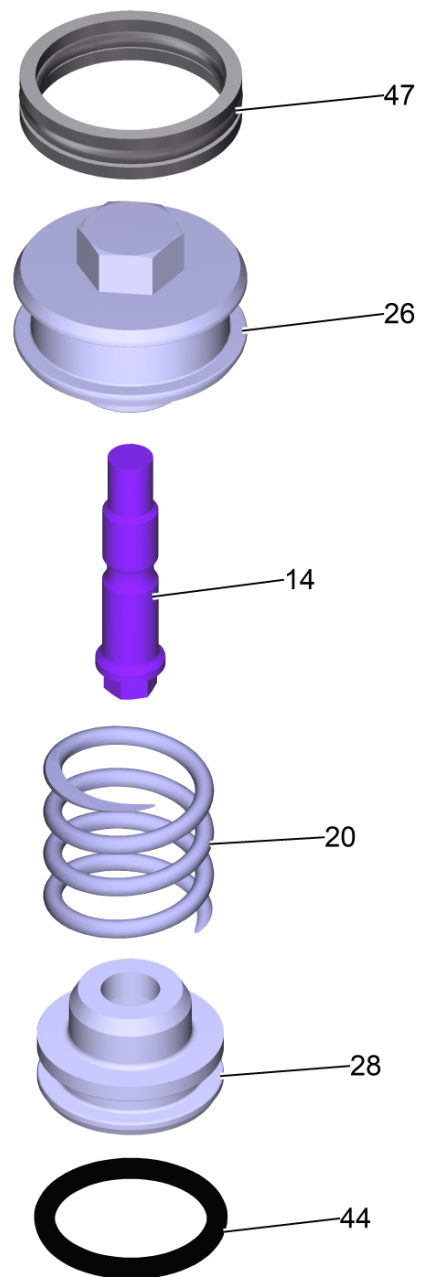
23 Nozzle insert only for replacement (4.769-034.0)

POS	Article no.	Description	Quantity	Unit
23	6.362-384.0	O-Ring seal 9x1,5 - NBR 70	2	PC



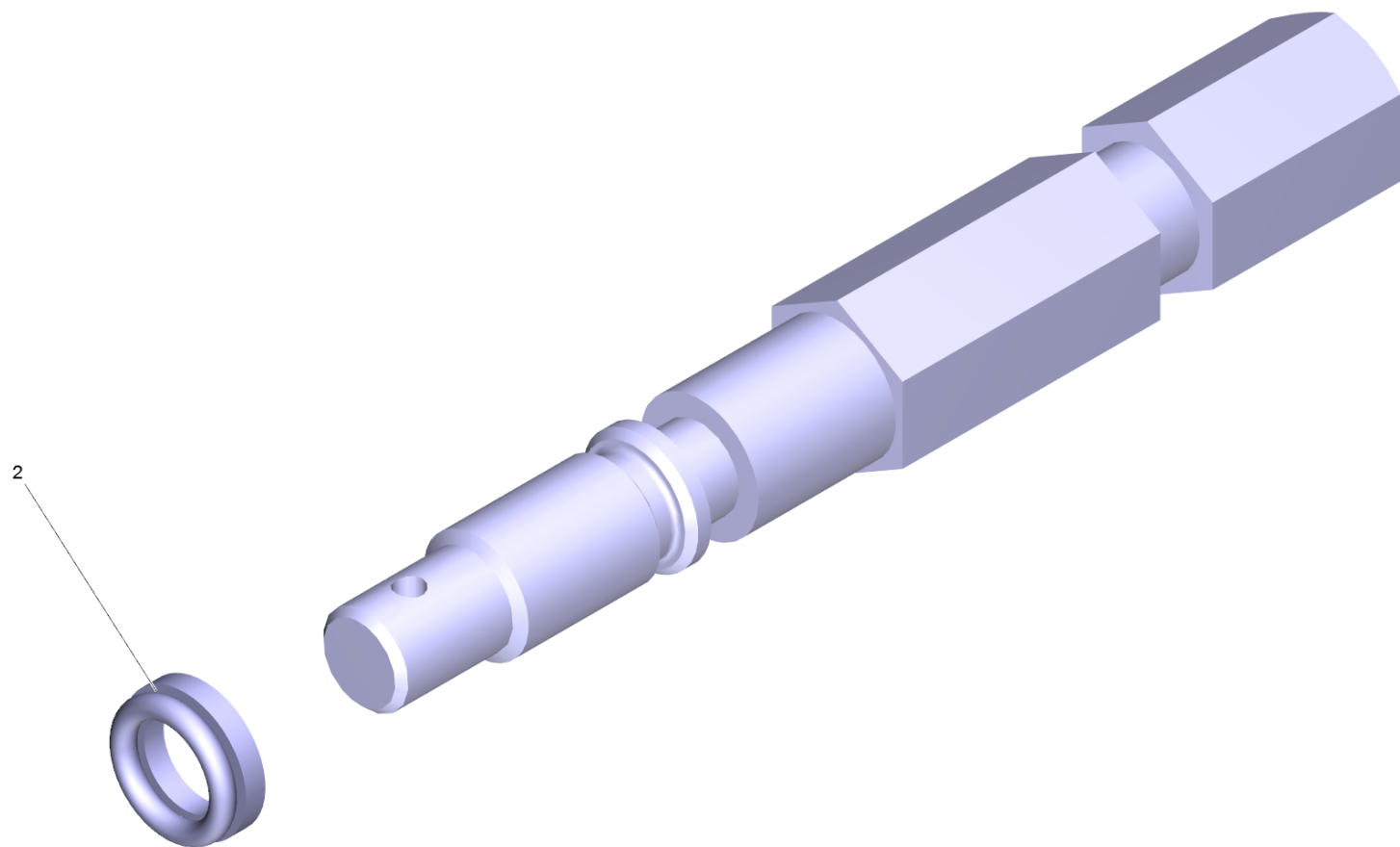
23 Nozzle insert (4.769-035.0)

POS	Article no.	Description	Quantity	Unit
165	6.362-384.0	O-Ring seal 9x1,5 - NBR 70	2	PC



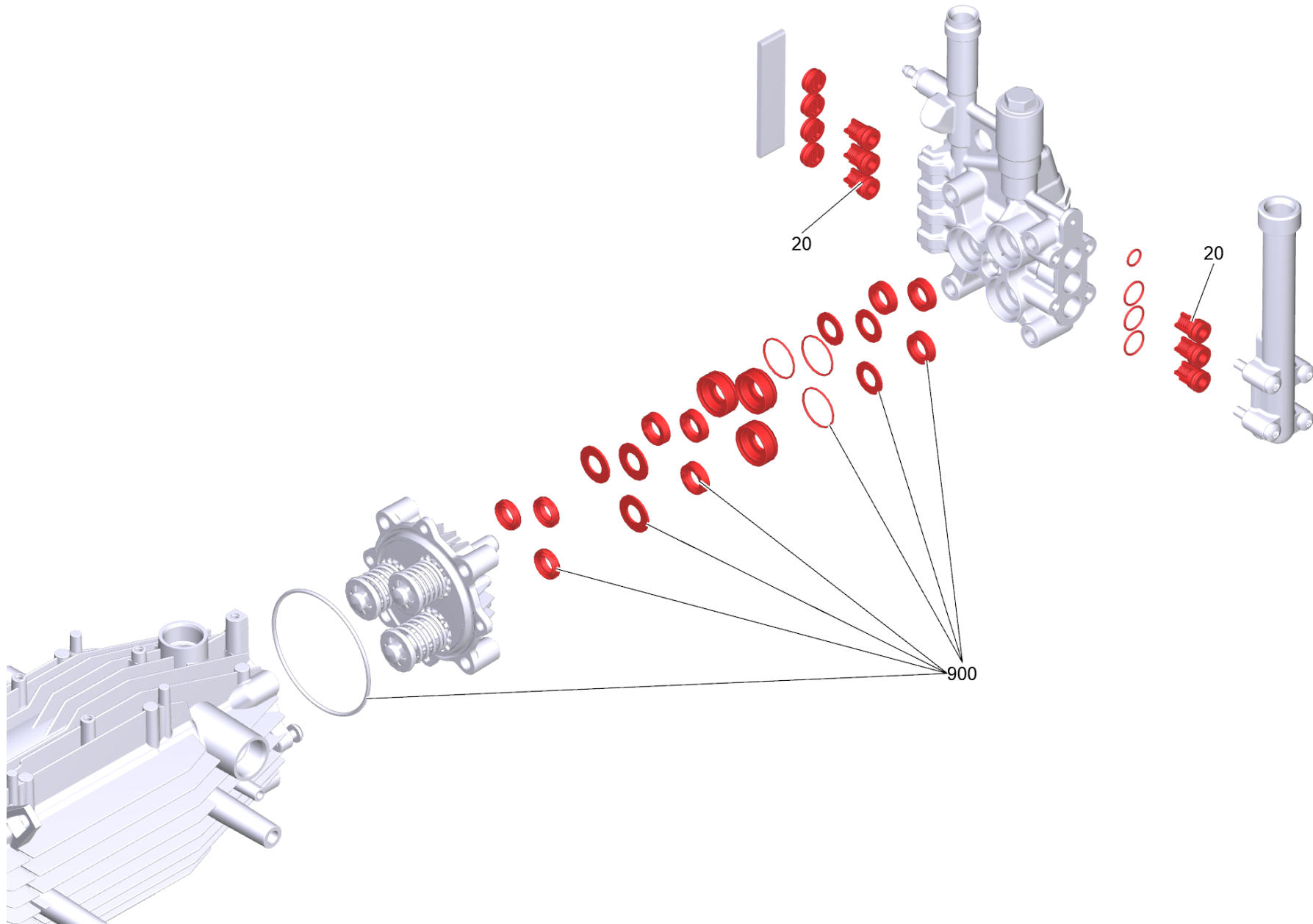
26 Overflow valve (4.591-038.0)

POS	Article no.	Description	Quantity	Unit
14	5.305-264.0	Shaped screw	1	PC
20	5.332-425.0	Helical spring	1	PC
26	5.553-390.0	Piston	1	PC
28	5.581-230.0	Valve seat	1	PC
44	6.362-169.0	O-Ring seal 12,0 X 2,0	1	PC
47	6.362-454.0	O-Ring seal complete 2ST.-R.	1	PC



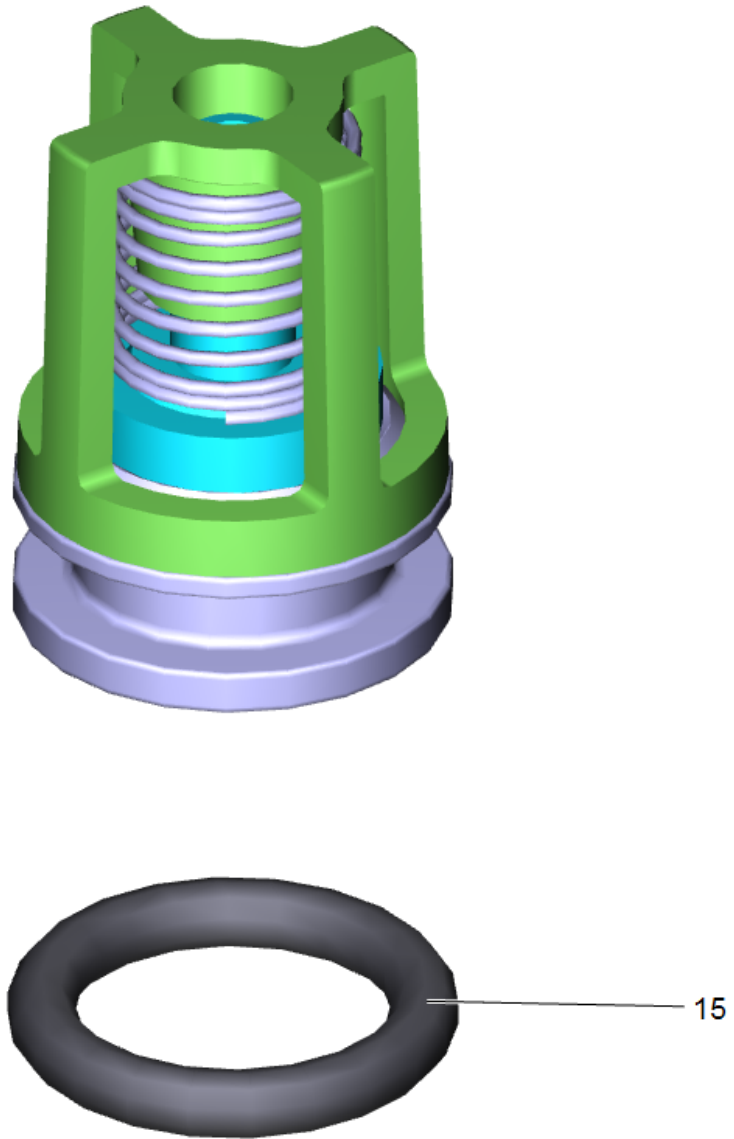
31 Spindle complete (4.291-014.0)

POS	Article no.	Description	Quantity	Unit
2	6.362-468.0	O-Ring seal complete 1ST.-R.	1	PC



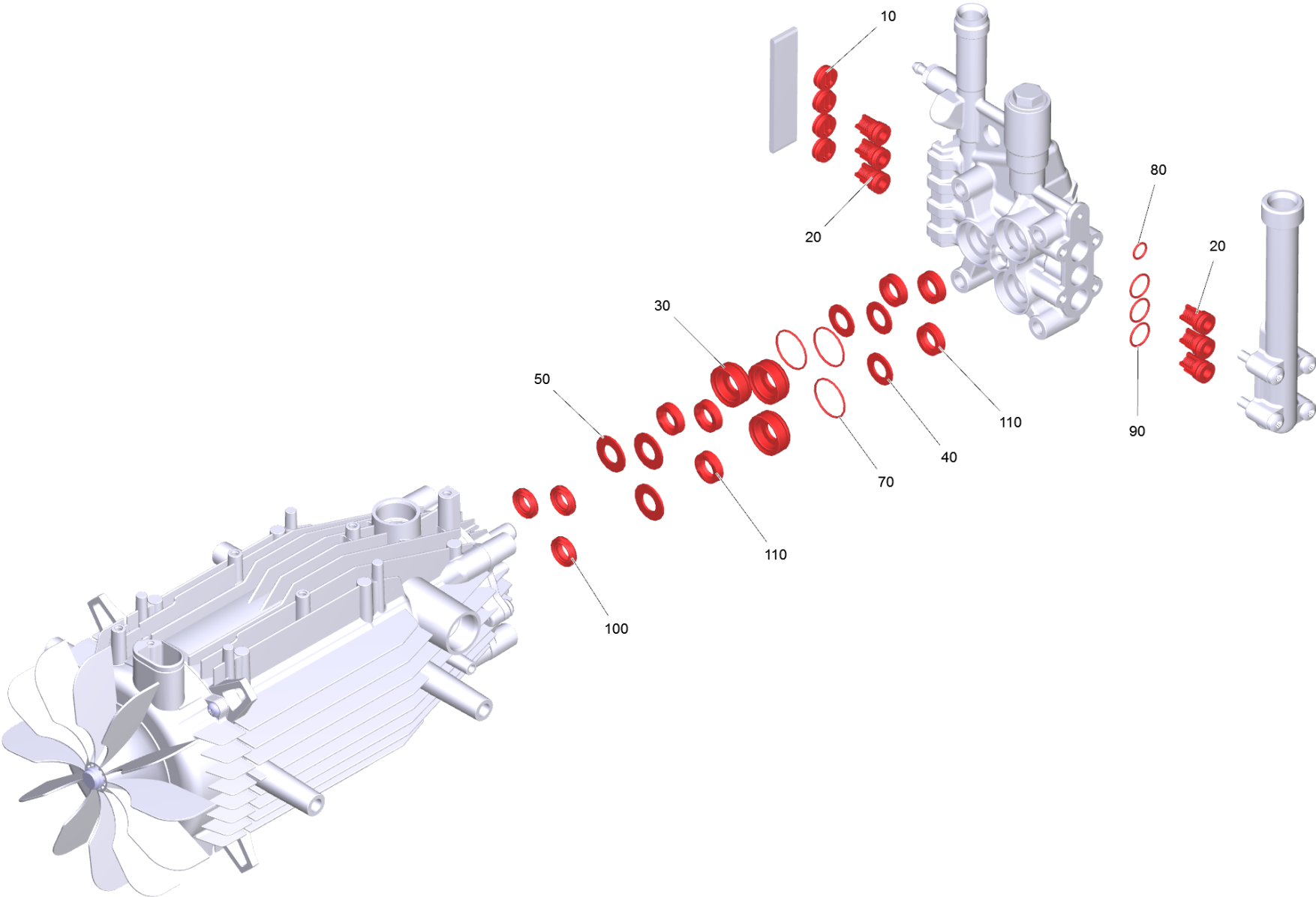
100 PUMP SET HD 5/12 C (2.883-997.0)

POS	Article no.	Description	Quantity	Unit
20	2.884-916.0	Valve (3 Stück)	2	PC
60	6.288-072.0	Silicon grease	1	PC
900	4.100-773.0	Set of gaskets	1	PC



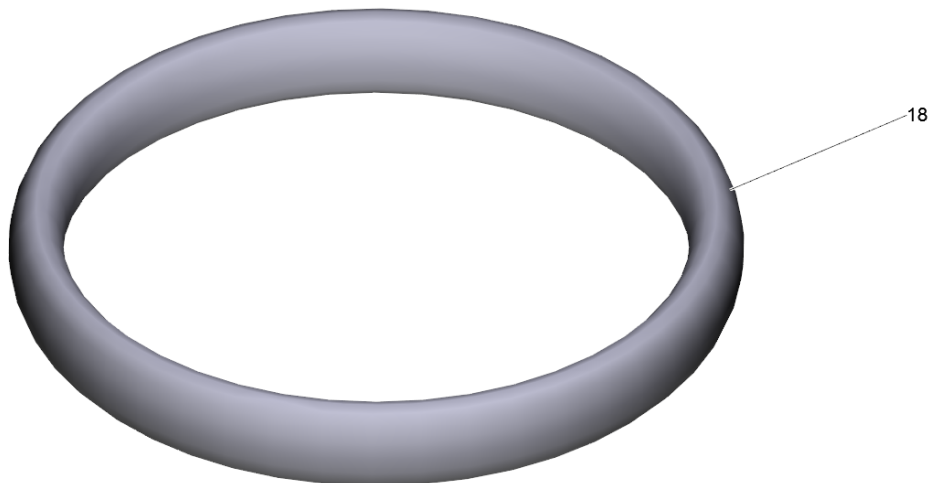
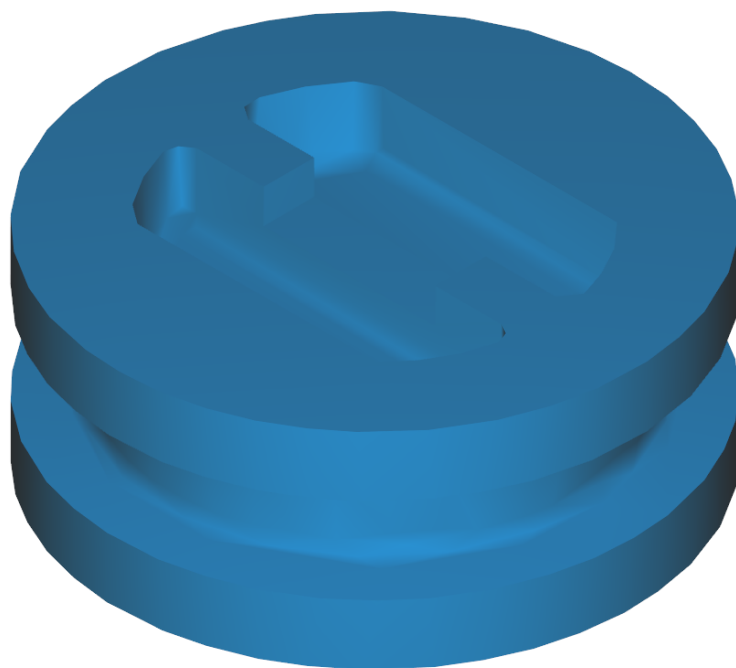
20 Valve (3 Stück) (2.884-916.0)

POS	Article no.	Description	Quantity	Unit
15	6.362-077.0	O-Ring seal 10 x 2,2 NBR 70	1	PC



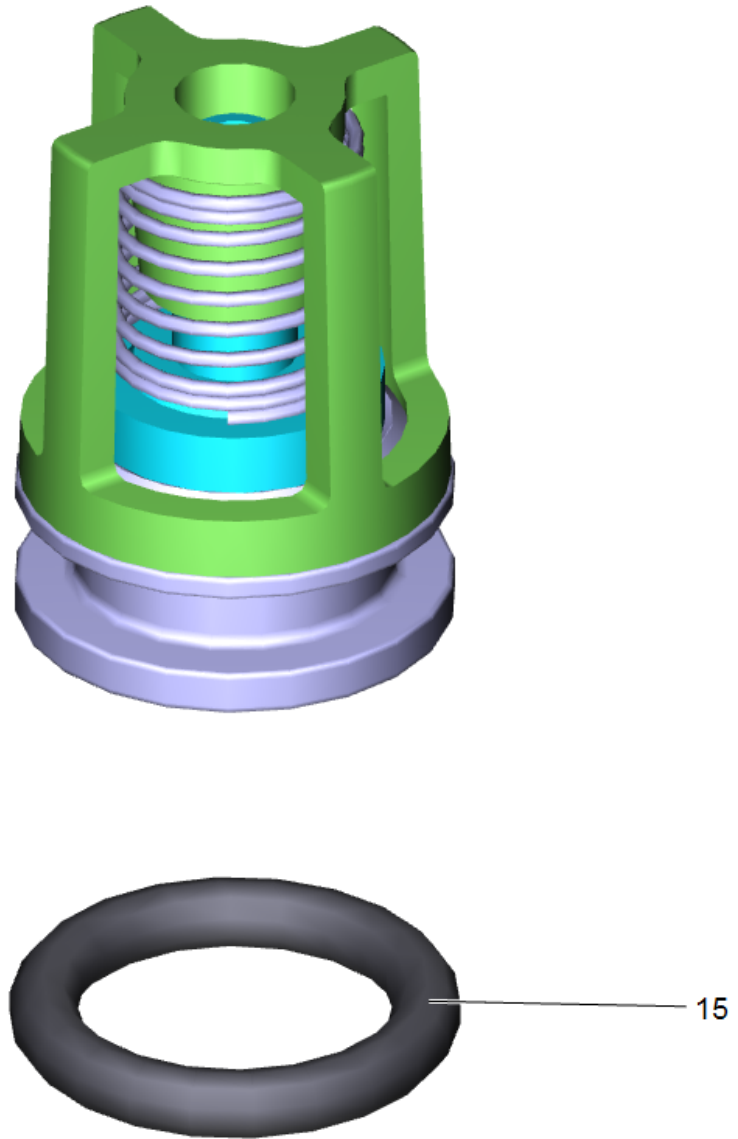
100 Pump set HD 6/15 C (2.885-242.0)

POS	Article no.	Description	Quantity	Unit
10	4.132-007.0	Drain plug only for replacement	4	PC
20	2.884-916.0	Valve (3 Stück)	2	PC
30	5.112-726.0	Bush	3	PC
40	5.115-721.0	Washer	3	PC
50	5.116-093.0	Washer	3	PC
60	6.288-072.0	Silicon grease	1	PC
70	6.362-376.0	O-Ring seal 24,0 X 1,5	3	PC
80	6.362-384.0	O-Ring seal 9x1,5 - NBR 70	1	PC
90	6.362-533.0	O-Ring seal 14,0 X 1,5-NBR 70	3	PC
100	6.365-393.0	Oil sealing 12x20x4/6	3	PC
110	6.365-563.0	Grooved ring	6	PC



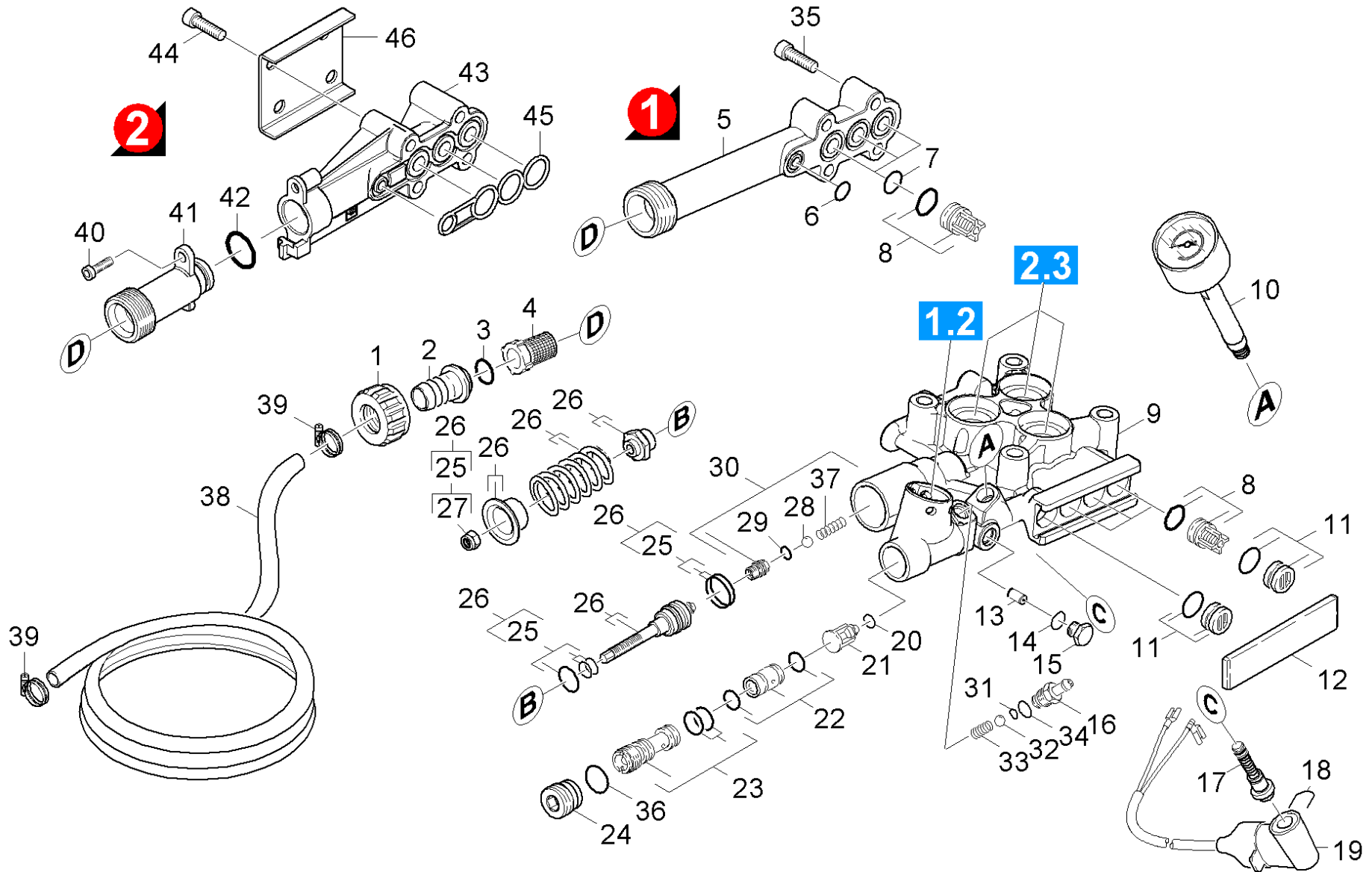
10 Drain plug only for replacement (4.132-007.0)

POS	Article no.	Description	Quantity	Unit
18	6.362-458.0	O-Ring seal 11,0x2,0-NBR 70	1	PC



20 Valve (3 Stück) (2.884-916.0)

POS	Article no.	Description	Quantity	Unit
15	6.362-077.0	O-Ring seal 10 x 2,2 NBR 70	1	PC



22 Cylinder head

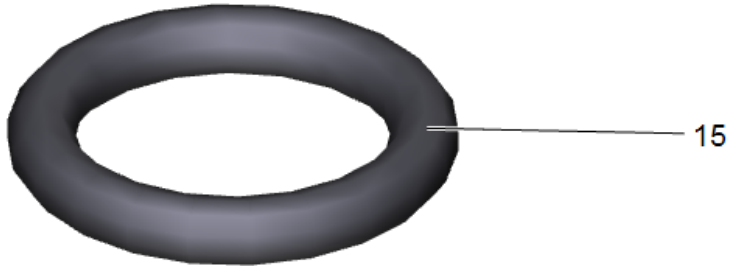
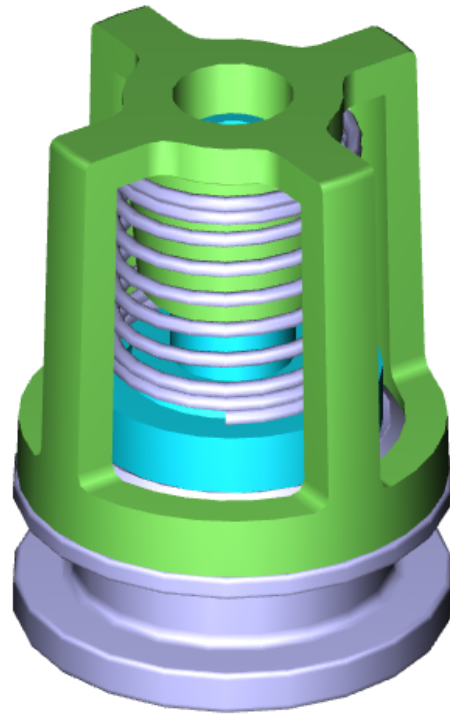
POS	Article no.	Description	Quantity	Unit
1	5.310-065.0	Nut	1	PC
	Item text1: 1.151-651.0/ -652.0 / -653.0 / -654.0 /			
1	5.311-071.0	Nut	1	PC
	Item text1: 1.151-655.0 / -656.0 /			
2	5.443-229.0	Hose stem	1	PC
	Item text1: 1.151-651.0/ -652.0 / -653.0 / -654.0 /			
2	5.443-282.0	Hose stem	1	PC
	Item text1: 1.151-655.0 / -656.0 /			
3	6.362-078.0	O-Ring seal 13,3x2,4	1	PC
	Item text1: 1.151-651.0/ -652.0 / -653.0 / -654.0 /			
3	6.362-395.0	O-Ring seal 14,0 X 1,78-NBR 70	1	PC
	Item text1: 1.151-655.0 / -656.0 /			
4	6.414-252.0	Strainer	1	PC
5	5.064-150.0	Suction cover	1	PC
6	6.362-384.0	O-Ring seal 9x1,5 - NBR 70	1	PC
7	6.362-533.0	O-Ring seal 14,0 X 1,5-NBR 70	3	PC
8	2.884-916.0	Valve (3 Stück)	2	PC
9	5.550-316.3	Cylinder head	1	PC
10	6.421-349.3	Pressure gauge 0-30 MPa	1	PC
	Item text1: 1.151-651.0 /-652.0 /-653.0 /-654.0			
	Item text2: /-655.0 /-656.0 /			
10	6.421-320.0	Pressure gauge 0-15 MPa	1	PC
	Item text1: 1.151-611.0			
11	4.132-007.0	Drain plug only for replacement	4	PC
12	5.003-062.0	Plate	1	PC
13	5.111-046.0	Sleeve cylinder head	1	PC
14	6.362-642.0	O-Ring d. 7,65x1,78 -NBR 80	1	PC
15	5.411-070.0	Screw plug	1	PC
16	5.443-624.0	Nipple	1	PC
17	2.883-988.0	SPARE PARTS SET	1	PC
18	5.034-494.0	Retaining bracket	1	PC
19	4.744-201.0	Switch complete	1	PC
20	6.363-613.0	O-Ring seal 4 x 2 -NBR90	1	PC

22 Cylinder head

POS	Article no.	Description	Quantity	Unit
21	4.584-022.0	Valve pin complete	1	PC
22	2.884-853.0	Spare part set nozzle insert	1	PC
23	4.769-034.0	Nozzle insert only for replacement	1	PC
	Item text1: 1.151-651.0 /-652.0 /-653.0 /-654.0			
	Item text2: /-655.0 /-656.0 /			
23	4.769-035.0	Nozzle insert	1	PC
	Item text1: 1.151-611.0			
24	5.411-171.0	Screw plug	1	PC
25	2.884-551.0	Spare part set	1	PC
26	2.884-550.0	Spare part set overflow valve	1	PC
	Item text1: 1.151-651.0 /-652.0 /-653.0 /-654.0			
	Item text2: /-655.0 /-656.0 /			
26	2.884-984.0	Spare part set	1	PC
	Item text1: 1.151-611.0			
27	7.311-510.0	Hexagon nut M 8-8-A2E ISO 7040	1	PC
28	7.401-907.0	Sphere 3/8 G200-1.4301 DIN 5401	1	PC
29	6.362-858.0	O-Ring seal 11,0 X 1,5	1	PC
30	4.481-226.0	Valve seat complete	1	PC
31	6.363-597.0	O-Ring seal 5,28 x 1,78	1	PC
32	7.401-908.0	Sphere 7 G300 -1.4301 DIN 5401	1	PC
33	5.332-258.0	Helical spring	1	PC
34	6.362-113.0	O-Ring seal 6,0 x 2,0 NBR 70	1	PC
35	7.306-105.0	Screw M6x30 -8.8-R3R (In6Rd)	4	PC
36	6.362-480.0	O-Ring seal 12,42x 1,78	1	PC
37	5.332-999.0	Helical spring	1	PC
38	6.390-492.0	Hose intake DN19	1	PC
	Item text1: 1.151-655.0 / -656.0 /			
39	6.388-548.0	Hose clip	1	PC
	Item text1: 1.151-655.0 / -656.0 /			
40	7.303-108.0	Screw 5x20 -10.9-R2R (In6Rd)	1	PC
41	5.402-727.0	Suction nipple	1	PC
42	6.362-481.0	O-Ring seal 14,0 x 2,0 NBR 80	1	PC
43	5.064-230.0	Suction cover	1	PC

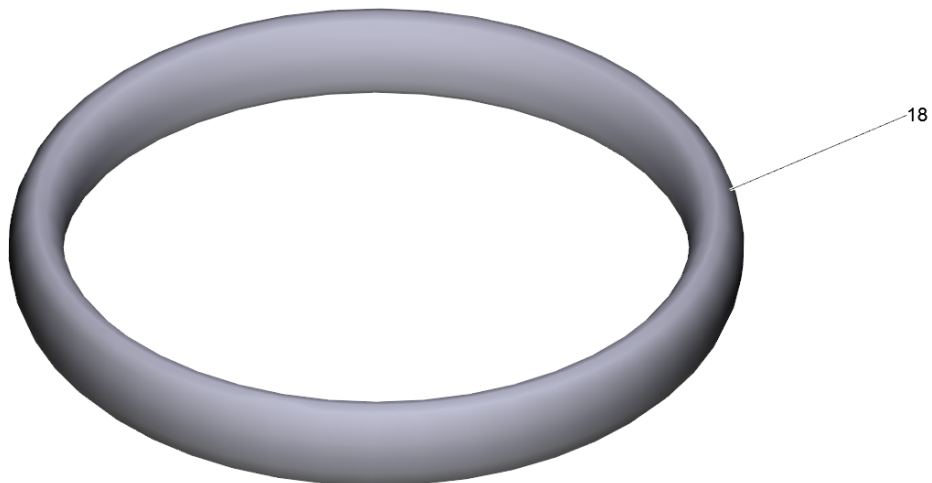
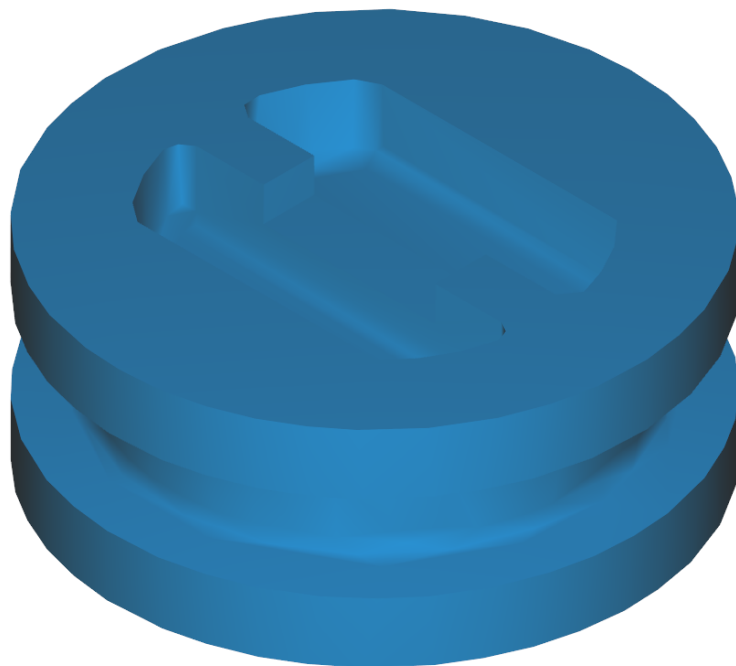
22 Cylinder head

POS	Article no.	Description	Quantity	Unit
44	7.306-129.0	Screw M6x40 -8.8-P2R (In6Rd)	4	PC
45	5.365-284.0	Profile gasket	1	PC
46	5.005-314.0	Plate suction cover	1	PC
100	2.885-017.0	Pump set HD 7/18C	1	PC
Item text1: 1.524-651.0 /-652.0 /-653.0 /-654.0				



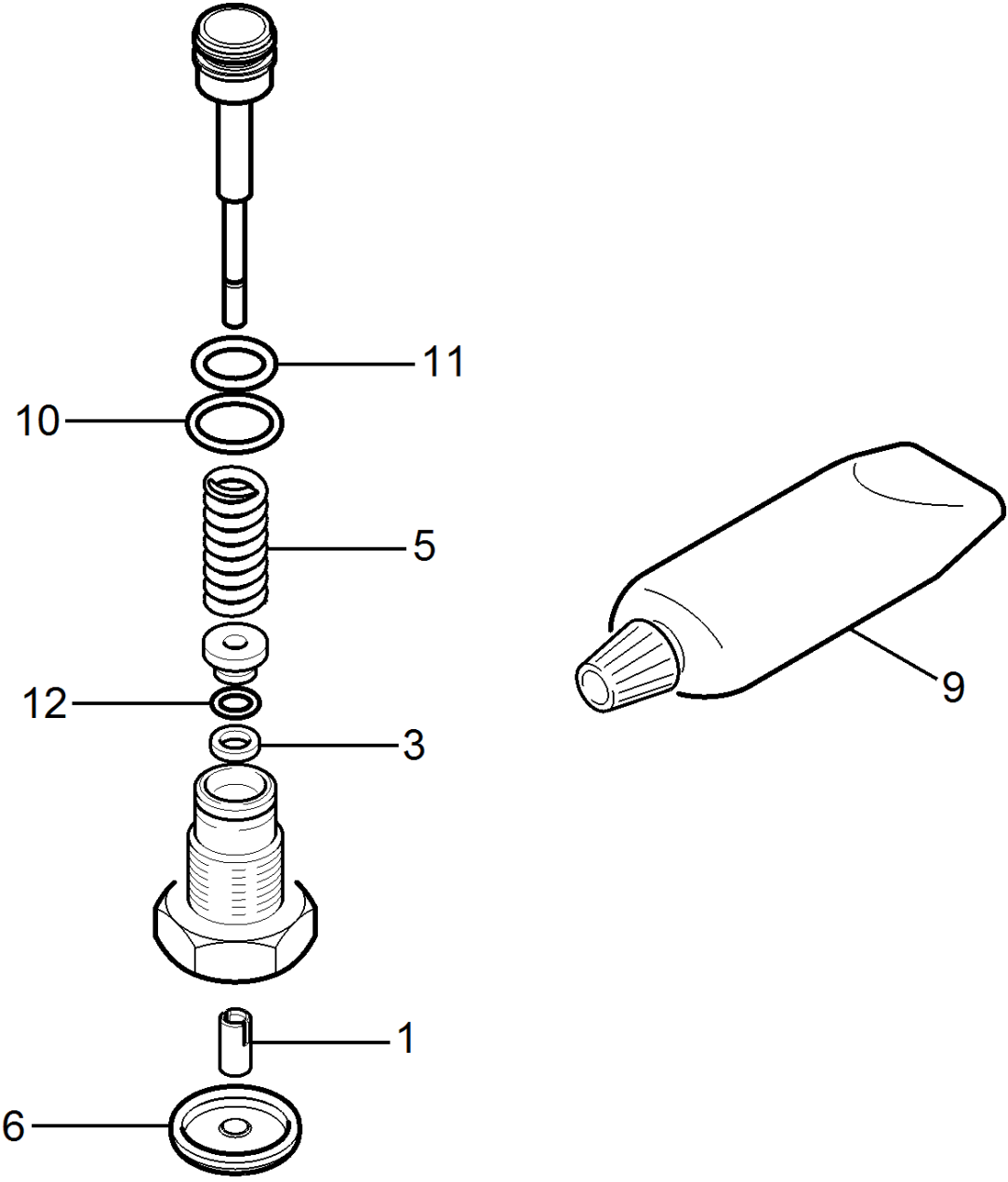
8 Valve (3 Stück) (2.884-916.0)

POS	Article no.	Description	Quantity	Unit
15	6.362-077.0	O-Ring seal 10 x 2,2 NBR 70	1	PC



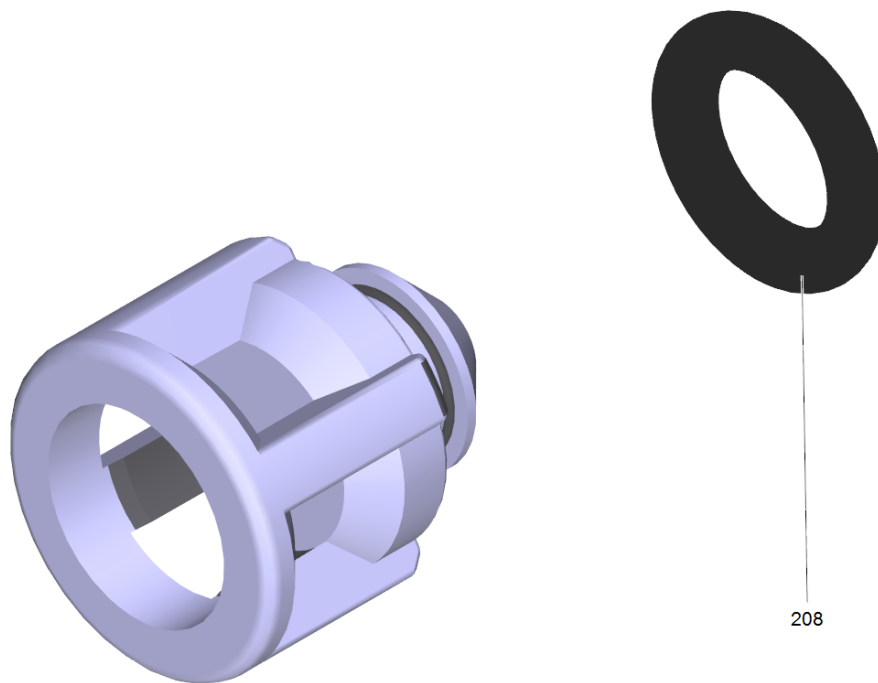
11 Drain plug only for replacement (4.132-007.0)

POS	Article no.	Description	Quantity	Unit
18	6.362-458.0	O-Ring seal 11,0x2,0-NBR 70	1	PC



17 SPARE PARTS SET (2.883-988.0)

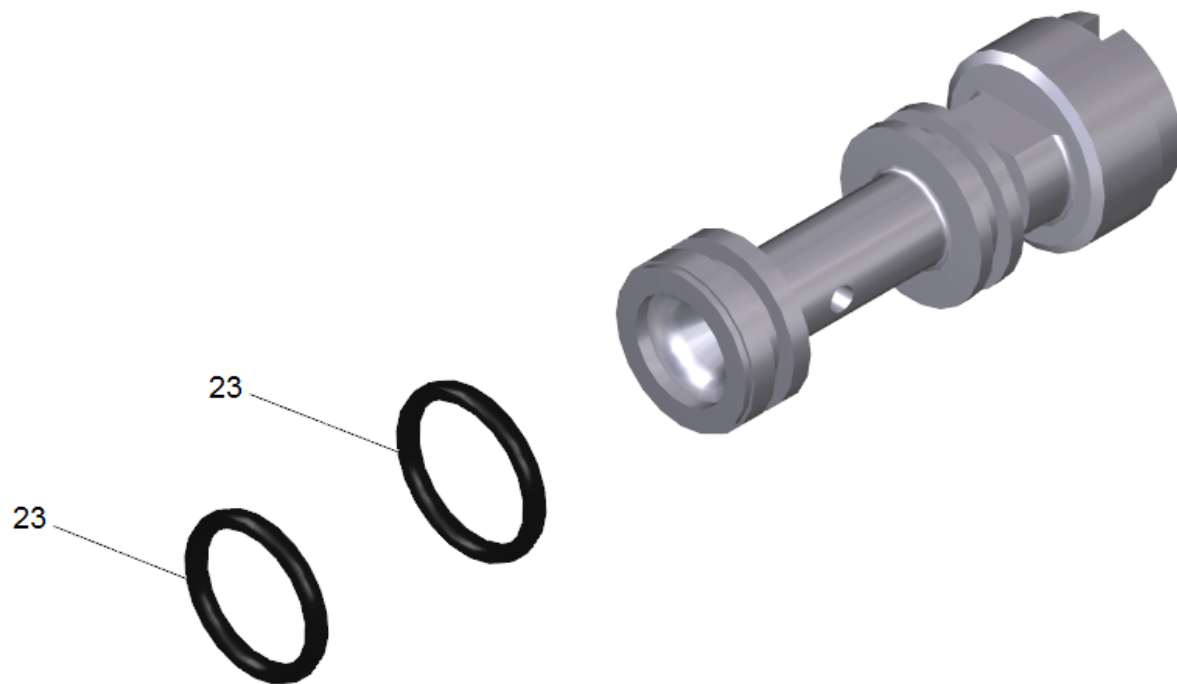
POS	Article no.	Description	Quantity	Unit
1	5.110-947.0	Sleeve	1	PC
3	5.114-513.0	Supportring	1	PC
5	5.332-511.0	Helical spring	1	PC
6	5.367-030.0	Diaphragm	1	PC
9	6.288-044.0	Silicon grease 100 G	1	PC
10	6.363-615.0	O-Ring seal 11 x 1,5 -NBR70	1	PC
11	6.363-611.0	O-Ring seal 8,73 x 1,78 -NBR	1	PC
12	6.363-241.0	O-Ring seal 2,90x1,78	1	PC



208

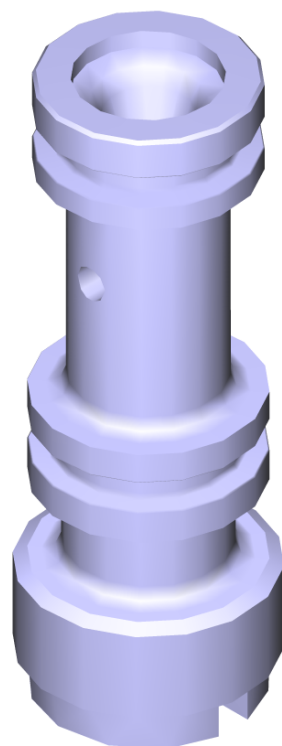
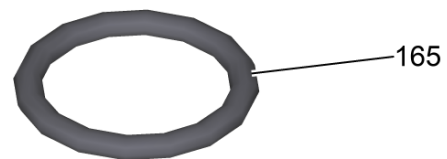
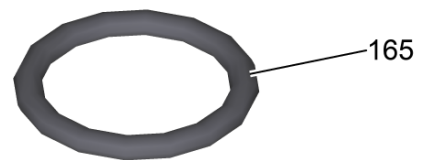
21 Valve pin complete (4.584-022.0)

POS	Article no.	Description	Quantity	Unit
208	6.363-613.0	O-Ring seal 4 x 2 -NBR90	1	PC



23 Nozzle insert only for replacement (4.769-034.0)

POS	Article no.	Description	Quantity	Unit
23	6.362-384.0	O-Ring seal 9x1,5 - NBR 70	2	PC



23 Nozzle insert (4.769-035.0)

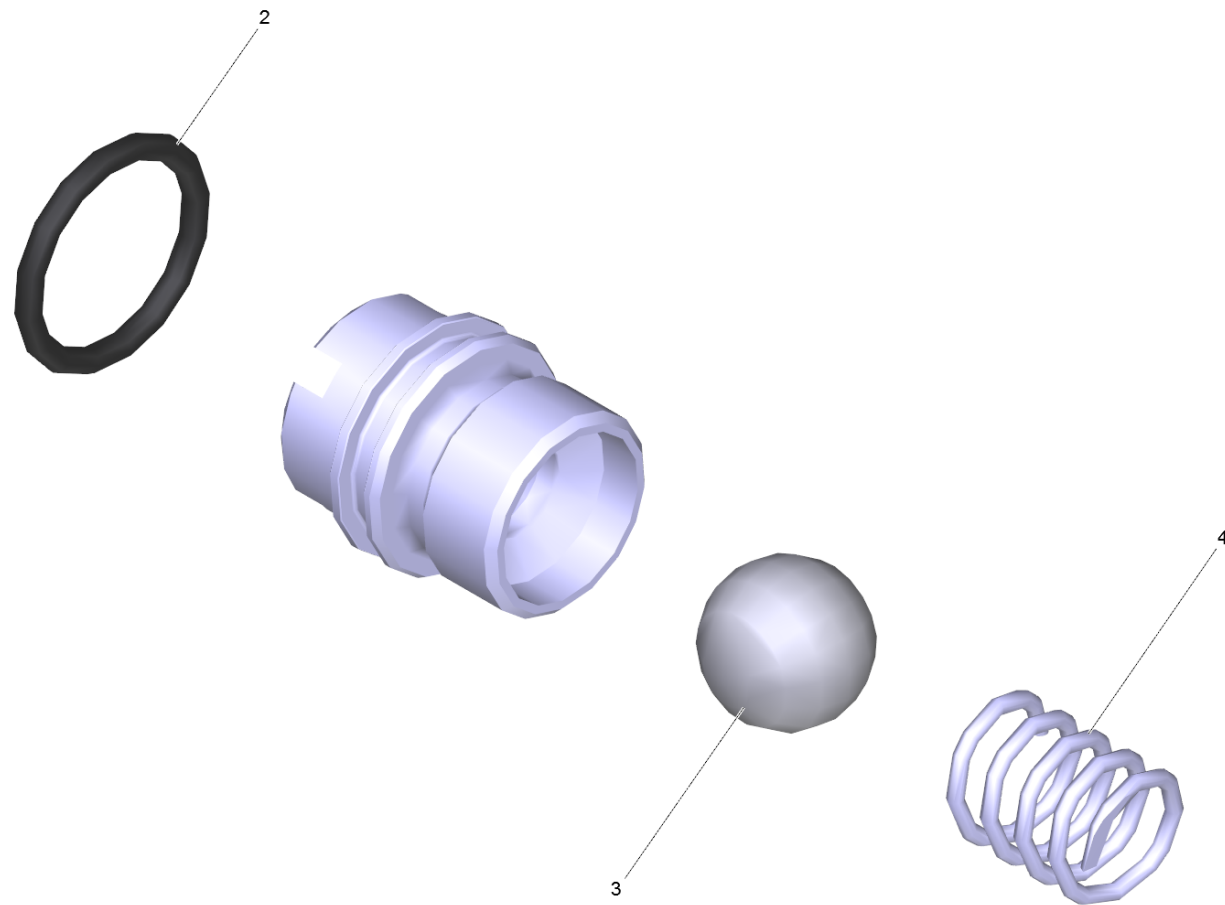
POS	Article no.	Description	Quantity	Unit
165	6.362-384.0	O-Ring seal 9x1,5 - NBR 70	2	PC

25 Spare part set (2.884-551.0)

POS	Article no.	Description	Quantity	Unit
44	6.362-365.0	O-Ring seal complete 1ST.-R.- 7,65X 1,7	1	PC
46	6.362-445.0	O-Ring seal 16,0 X 2,4-NBR 80	1	PC
47	6.362-575.0	O-Ring seal 12,42 KOMPL	1	PC
71	7.311-510.0	Hexagon nut M 8-8-A2E ISO 7040	1	PC
101	6.376-036.0	Label spare parts neutrally 65x55 MM	2	ZST

26 Spare part set overflow valve (2.884-550.0)

POS	Article no.	Description	Quantity	Unit
7	5.112-757.0	Bush	1	PC
16	5.332-530.0	Helical spring	1	PC
44	6.362-365.0	O-Ring seal complete 1ST.-R.- 7,65X 1,7	1	PC
46	6.362-445.0	O-Ring seal 16,0 X 2,4-NBR 80	1	PC
47	6.362-575.0	O-Ring seal 12,42 KOMPL	1	PC
71	7.311-510.0	Hexagon nut M 8-8-A2E ISO 7040	1	PC
145		Grease	0,01	g
151	6.376-036.0	Label spare parts neutrally 65x55 MM	2	ZST

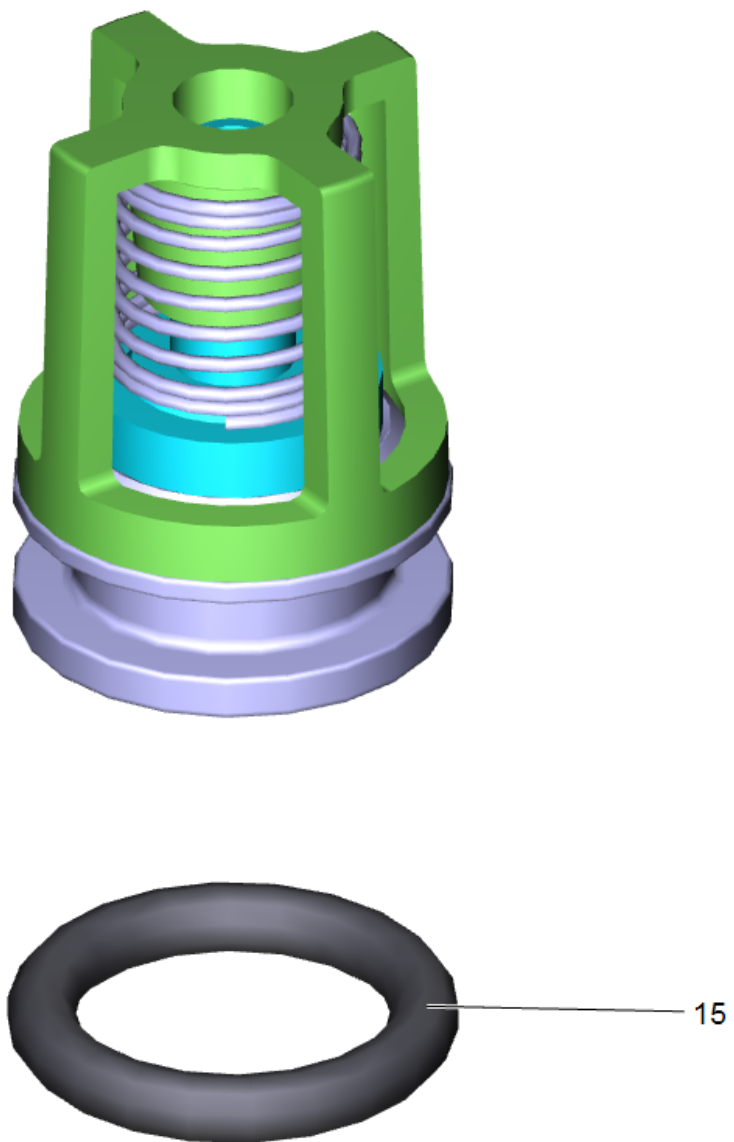


30 Valve seat complete (4.481-226.0)

POS	Article no.	Description	Quantity	Unit
2	6.362-858.0	O-Ring seal 11,0 X 1,5	1	PC
3	7.401-907.0	Sphere 3/8 G200-1.4301 DIN 5401	1	PC
4	5.332-999.0	Helical spring	1	PC

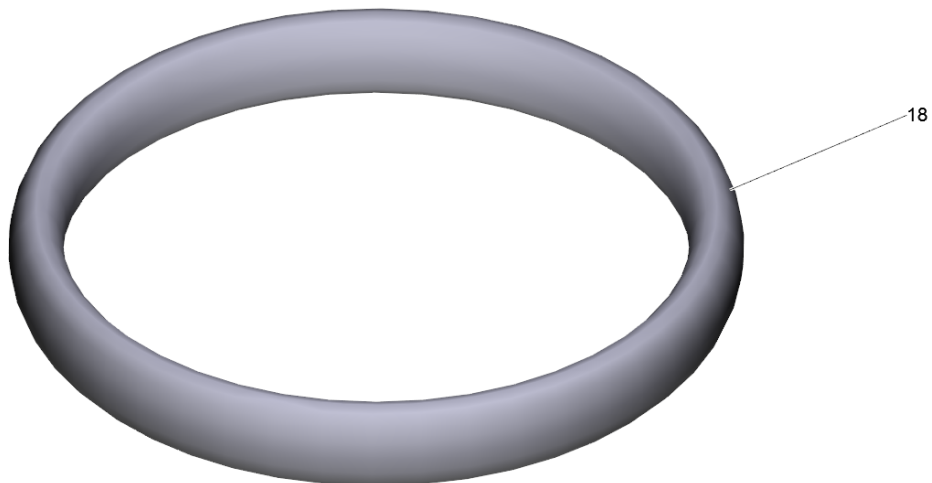
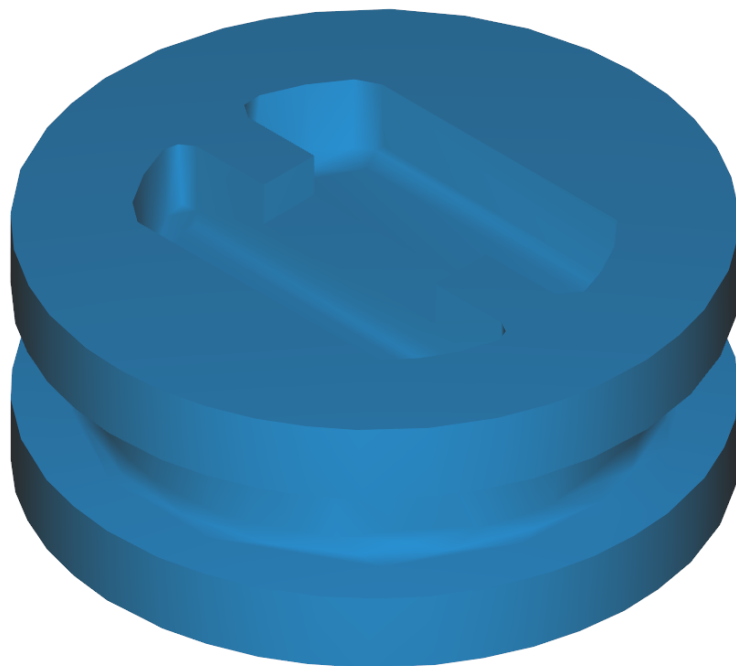
100 Pump set HD 7/18C (2.885-017.0)

POS	Article no.	Description	Quantity	Unit
1	2.884-916.0	Valve (3 Stück)	2	PC
2	5.115-465.0	Washer	3	PC
3	5.115-744.0	Washer	3	PC
4	6.362-384.0	O-Ring seal 9x1,5 - NBR 70	1	PC
5	6.365-340.0	Grooved ring 14X22X5/7	3	PC
6	6.365-432.0	Grooved ring 14x22x5.3	3	PC
7	4.132-007.0	Drain plug only for replacement	4	PC
8	6.362-376.0	O-Ring seal 24,0 X 1,5	3	PC
9	5.112-576.3	Bush	3	PC
10	6.365-434.0	Grooved ring 14x20x4	3	PC



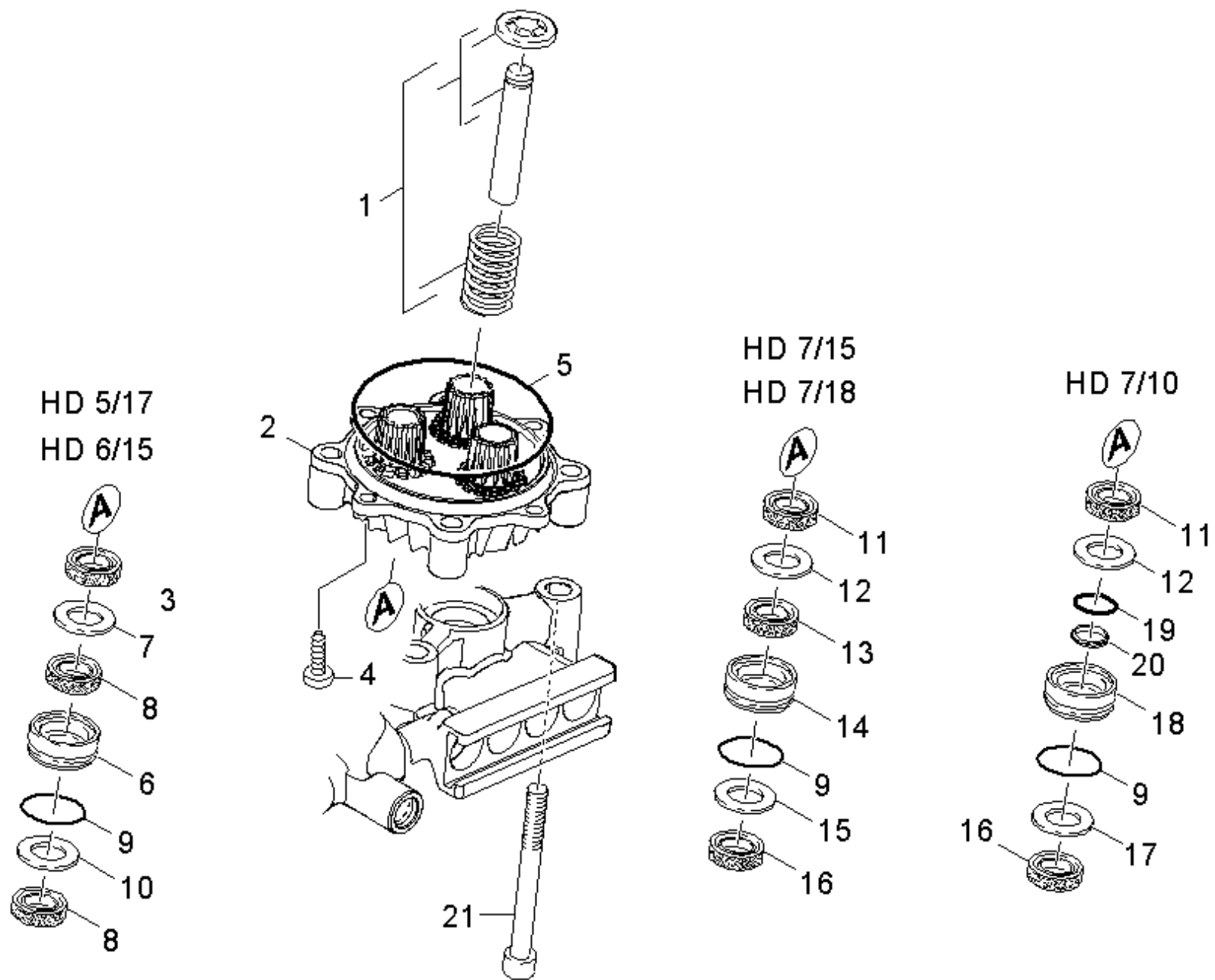
1 Valve (3 Stück) (2.884-916.0)

POS	Article no.	Description	Quantity	Unit
15	6.362-077.0	O-Ring seal 10 x 2,2 NBR 70	1	PC



7 Drain plug only for replacement (4.132-007.0)

POS	Article no.	Description	Quantity	Unit
18	6.362-458.0	O-Ring seal 11,0x2,0-NBR 70	1	PC

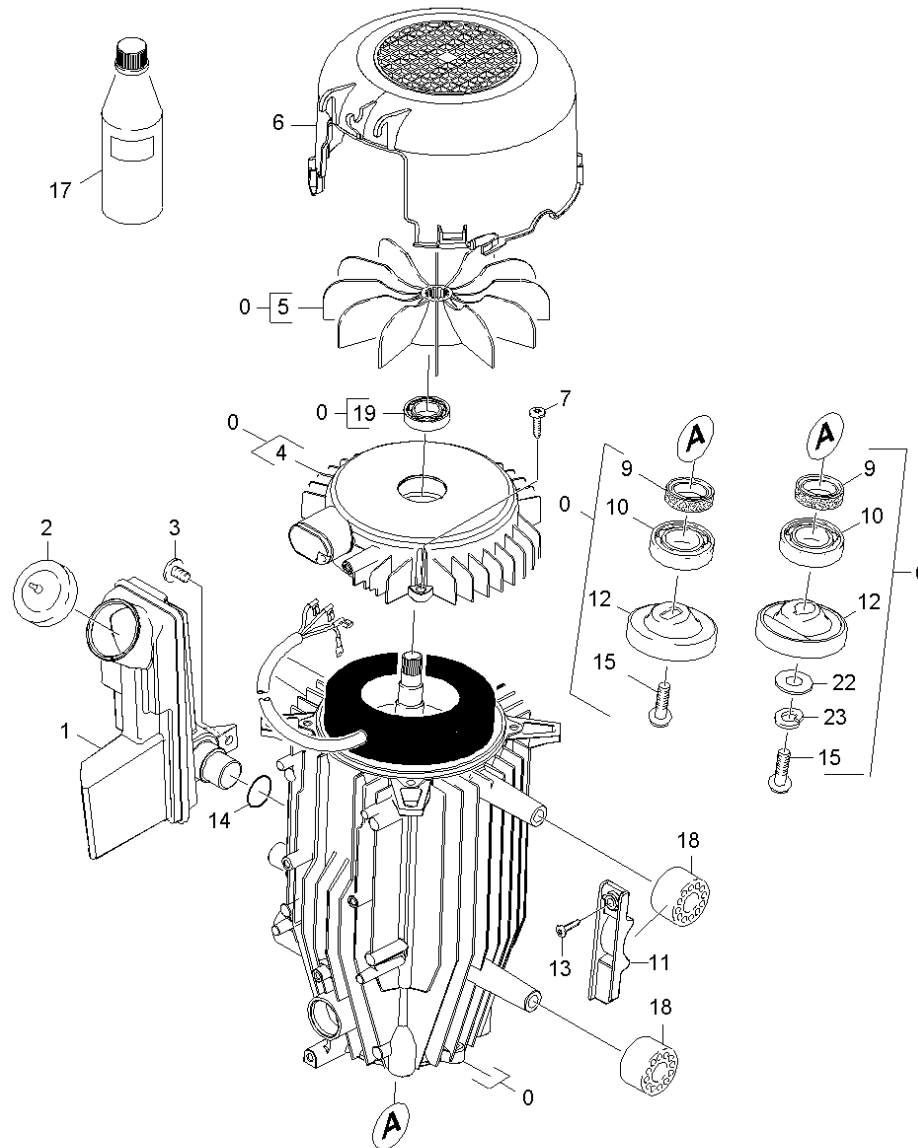


23 Thrust guidance

POS	Article no.	Description	Quantity	Unit	Foot note text
1	4.553-231.0	Piston complete only for replacement Item text1: 1.150-651.0 / -652.0 / -653.0 / -654.0 Item text2: / -657.0	3	PC	
1	4.553-242.0	Piston complete Item text1: 1.151-611.0 / -651.0 / -652.0 / -653.0 Item text2: /-655.0	3	PC	
1	4.553-264.0	Piston complete only for replacement Item text1: 1.151-656.0	3	PC	
1	4.553-275.0	Piston complete only for replacement Item text1: 1.214-126.0	3	PC	
1	4.553-306.0	Piston -nur fuer Ersatz- Item text1: 1.150-651.0 /-652.0 /-653.0	3	PC	CERAMIC COATED
2	5.061-018.3	Thrust guidance Item text1: 1.150-651.0 / -652.0 / -653.0 / -654.0 Item text2: / -657.0 / 1.214-126.0	1	PC	
2	5.062-754.3	Thrust guidance Item text1: 1.151-611.0 / -651.0 / -652.0 / -653.0 / Item text2: -654.0 / -655.0 /-656.0 /	1	PC	
3	6.365-001.0	Grooved ring 12x20x4/6 Item text1: 1.150-651.0 / -652.0 / -653.0 / -654.0 Item text2: / -657.0 / 1.214-126.0	3	PC	
4	7.303-047.0	Screw M6x16 -St-R3R (In6Rd)	2	PC	
5	6.363-077.0	O-Ring seal 75x3	1	PC	
6	5.112-726.0	Bush Item text1: 1.150-651.0 / -652.0 / -653.0 / -654.0 Item text2: 1.150-657.0 / 1.214-126.0	3	PC	
7	5.116-093.0	Washer Item text1: 1.150-651.0 / -652.0 / -653.0 / -654.0 Item text2: / -657.0 / 1.214-126.0	3	PC	
8	6.365-563.0	Grooved ring Item text1: 1.150-651.0 /-652.0 /-653.0	3	PC	FOR PISTON CERAMIC COATED
8	6.365-477.0	Grooved ring 12x20x5,3/2,8 Item text1: 1.150-651.0 / -652.0 / -653.0 / -654.0	3	PC	

23 Thrust guidance

POS	Article no.	Description	Quantity	Unit	Foot note text
		Item text2: / -657.0 / 1.214-126.0			
9	6.362-376.0	O-Ring seal 24,0 X 1,5	3	PC	
10	5.115-721.0	Washer	3	PC	
		Item text1: 1.150-651.0 / -652.0 / -653.0 / -654.0			
		Item text2: / -657.0 / 1.214-126.0			
11	6.365-340.0	Grooved ring 14X22X5/7	3	PC	
		Item text1: 1.151-611.0 / -651.0 / -652.0 / -653.0 /			
		Item text2: -654.0 / -655.0 /-656.0 /			
12	5.115-744.0	Washer	3	PC	
		Item text1: 1.151-611.0 / -651.0 / -652.0 / -653.0 /			
		Item text2: -654.0 / -655.0 /-656.0 /			
13	6.365-438.0	Compact seal	3	PC	
		Item text1: 1.151-651.0 / -652.0 / -653.0 / -654.0 /			
		Item text2: -655.0 / -656.0 /			
14	5.112-576.3	Bush	3	PC	
		Item text1: 1.151-651.0 / -652.0 / -653.0 / -654.0 /			
		Item text2: -655.0 / -656.0 /			
15	5.115-465.0	Washer	3	PC	
		Item text1: 1.151-651.0 / -652.0 / -653.0 / -654.0 /			
		Item text2: -655.0 / -656.0 /			
16	6.365-432.0	Grooved ring 14x22x5.3	3	PC	
		Item text1: 1.151-651.0 / -652.0 / -653.0 / -654.0 /			
		Item text2: -655.0 / -656.0 /			
17	5.115-465.0	Washer	3	PC	
		Item text1: 1.151-611.0			
18	5.112-811.0	Bush	3	PC	
		Item text1: 1.151-611.0			
19	6.363-610.0	O-Ring seal 13 x 3 -NBR	3	PC	
		Item text1: 1.151-611.0			
20	5.362-011.0	Joint ring	3	PC	
		Item text1: 1.151-611.0			
21	7.306-106.0	Cylinder head screw M8x70 -8.8-A2E ISO4	4	PC	



30 Motor

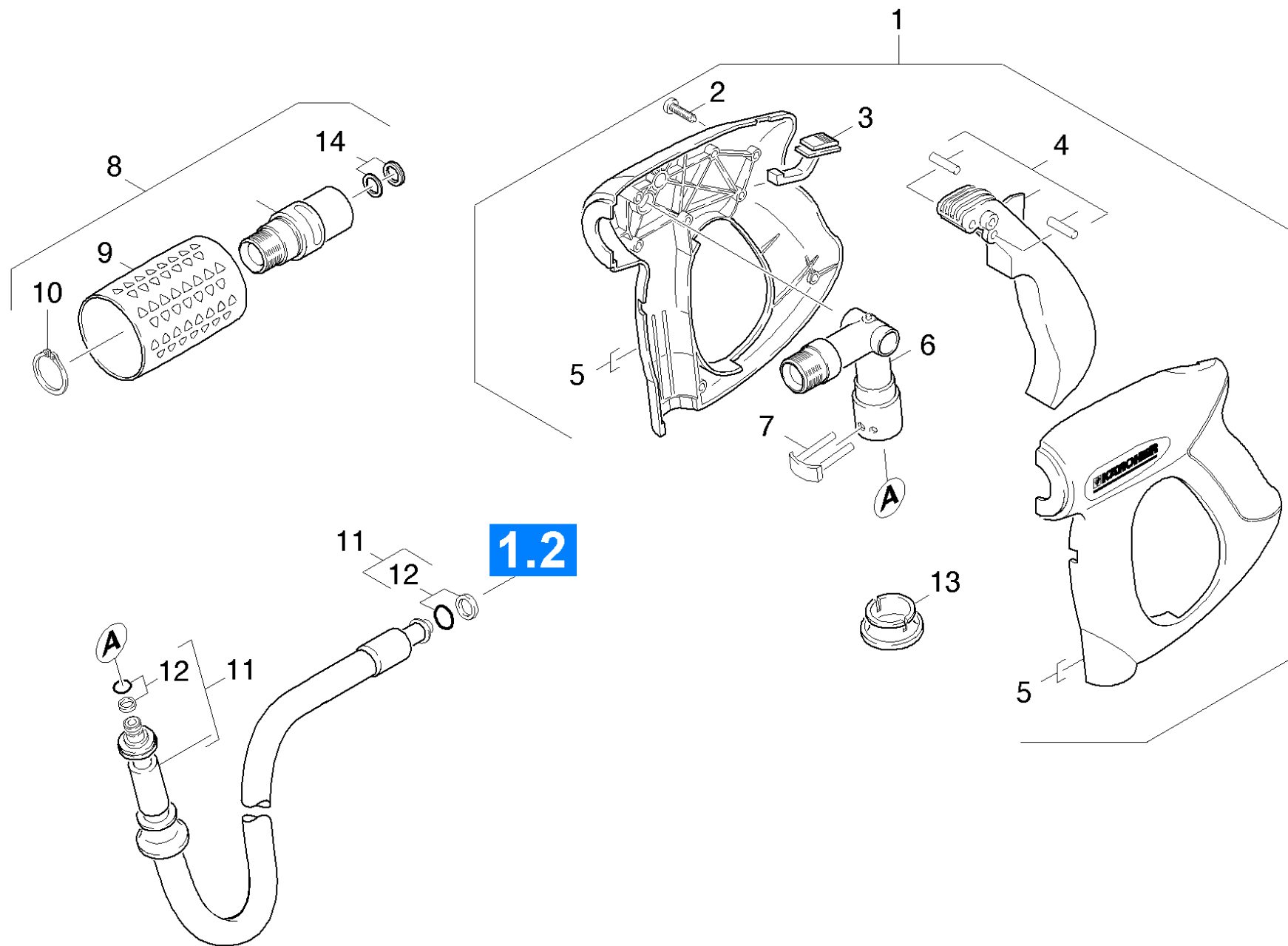
POS	Article no.	Description	Quantity	Unit
0	4.623-675.3	Motor complete	1	PC
	Item text1: 1.150-651.0 / -653.0 / -654.0 / -657.0			
0	4.623-683.3	Motor complete	1	PC
	Item text1: 1.151-611.0 /-651.0 /-652.0 /-653.0 /			
	Item text2: -654.0 /-655.0 /			
0	4.623-754.0	Motor complete	1	PC
	Item text1: 1.150-652.0			
0	4.623-850.3	Motor complete only for replacement	1	PC
	Item text1: 1.151-656.0			
0	4.623-868.3	Motor complete only for replacement	1	PC
	Item text1: 1.214-126.0			
1	5.070-639.0	Tank oil	1	PC
2	5.064-457.0	Cover plate qusty grey oil	1	PC
	Item text1: 1.151-611.0 / -651.0 / -652.0 / -653.0			
	Item text2: /-654.0 /			
2	5.064-457.0	Cover plate qusty grey oil	1	PC
	Item text1: 1.150-651.0/ -653.0 / -654.0 / -657.0			
	Item text2: / 1.214-126.0			
3	6.303-153.0	Screw M5x15-ST-R2R (IN6RD)	1	PC
4	5.064-197.0	Bearing cover B	1	PC
	Item text1: 1.214-126.0			
4	5.094-148.0	Bearing cover B	1	PC
5	5.600-060.0	Blower wheel	1	PC
6	5.692-081.0	Air circulation	1	PC
7	6.303-320.0	Screw M 5x 20-St-R2R	4	PC
9	7.367-001.0	Radial shaft seal ring A24x37x7 -NBR DI	1	PC
10	6.401-427.3	Angular contact ball bearing	1	PC
11	5.802-288.0	Mounting part	2	PC
12	4.120-213.0	Wobble plate	1	PC
	Item text1: 1.151-611.0 / -651.0 / -652.0 / -653.0 /			
	Item text2: -654.0 /-655.0 /			
12	4.120-219.0	Wobble plate complete	1	PC
	Item text1: 1.214-126.0			

30 Motor

POS	Article no.	Description	Quantity	Unit
12	4.120-222.0	Wobble plate complete only for replaceme	1	PC
	Item text1: 1.151-656.0			
12	6.401-307.3	Wobble plate	1	PC
	Item text1: 1.150-651.0 / -652.0 / -653.0 / -654.0 /			
	Item text2: 1.150-657.0			
13	7.303-108.0	Screw 5x20 -10.9-R2R (In6Rd)	2	PC
14	6.362-161.0	O-Ring seal 19,3 X 2,4	1	PC
15	7.306-042.0	Cylinder head screw M8x25 -8.8-A2E ISO4	1	PC
	Item text1: 1.151-611.0/ -651.0 / -652.0 / -653.0 /			
	Item text2: -654.0 / -655.0 /-656.0 / 1.214-126.0			
15	9.086-169.0	Wobble plate screw M8x16	1	PC
	Item text1: 1.150-651.0 / -652.0 / -653.0 / -654.0 /			
	Item text2: 1.150-657.0			
17	6.288-016.0	Gear oil 1L	1	PC
	Item text1: 1.151-611.0 / -651.0 / -652.0 / -653.0 /			
	Item text2: -654.0 / -655.0 /-656.0 /			
17	6.288-050.0	Engine oil 1L	1	PC
	Item text1: 1.150-651.0/ -652.0/ -653.0/ -654.0 /			
	Item text2: 1.150-657.0 / 1.214-126.0			
18	5.767-005.0	Rubber buffer	4	PC
19	7.401-128.0	Ball bearing 6202-2RS -Wälzl.St DIN 625	1	PC
22	7.312-277.0	Washer 8-200HV-A2E ISO7093-1	1	PC
	Item text1: 1.151-611.0/ -651.0 / -652.0 / -653.0 /			
	Item text2: -654.0 / -655.0 /-656.0 /			
23	7.313-004.0	Spring washer B 8-FSt-A3E DIN 127	1	PC
	Item text1: 1.151-611.0/ -651.0 / -652.0 / -653.0 /			
	Item text2: -654.0 / -655.0 /-656.0 /			

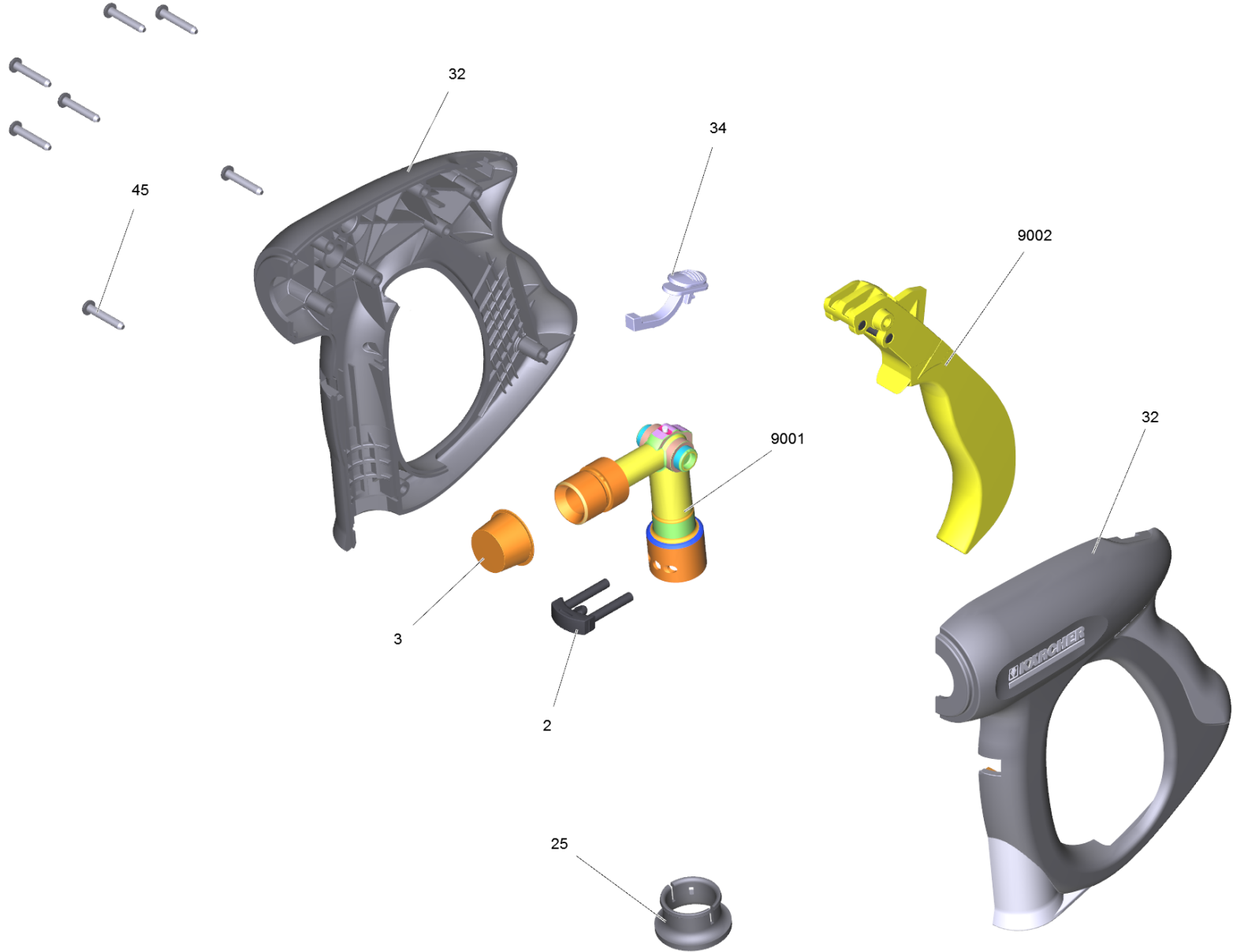
40 Accessories

POS	Description	Quantity	Unit	Remark
41	Hand trigger gun	1	PC	
42	Hand trigger gun	1	PC	
43	Jet pipe	1	PC	
44	Nozzle	1	PC	VERSION 1
45	Nozzle	1	PC	VERSION 2
46	Nozzle	1	PC	



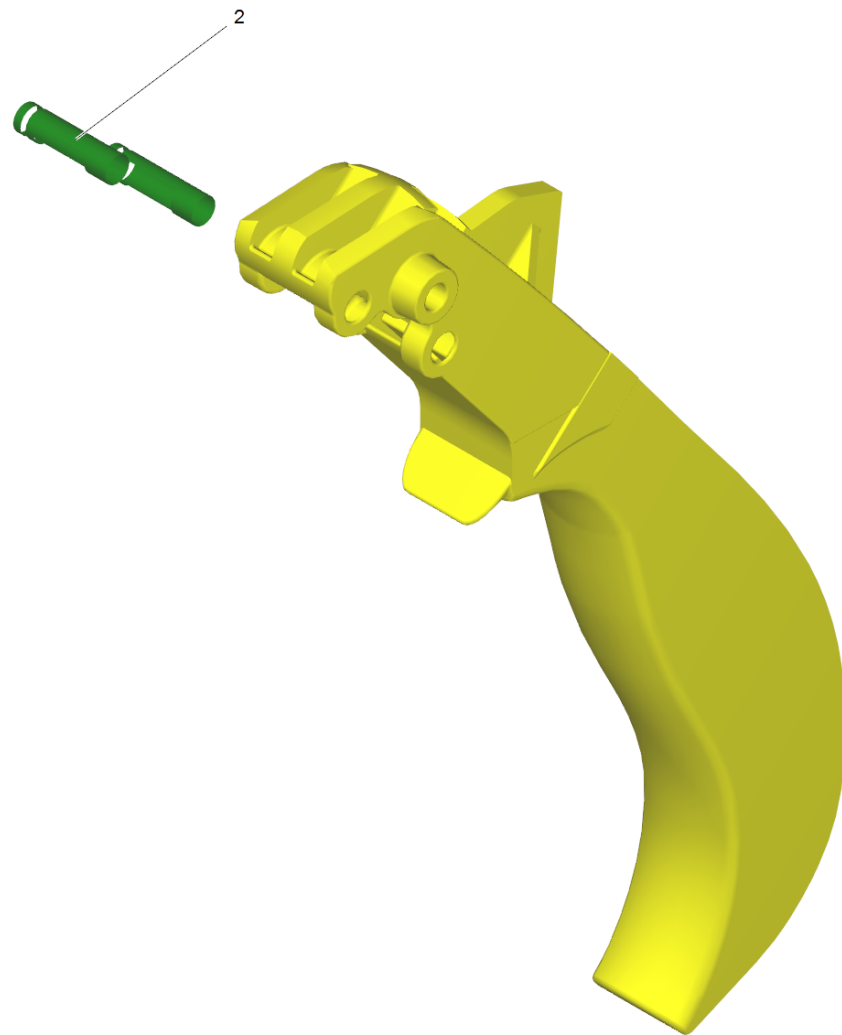
41 Hand trigger gun

POS	Article no.	Description	Quantity	Unit
1	4.775-463.0	HAND TRIGGER GUN EASY PRESS	1	PC
2	7.303-096.0	Screw 4x22-ST-10.9-R2R (IN6RD)	7	PC
3	5.481-331.0	Slider	1	PC
4	4.481-209.0	Lever complete	1	PC
5	5.321-669.3	Handhold few	1	PC
6	4.427-215.0	Manifold complete only for replacement	1	PC
7	4.037-013.0	Hook	1	PC
8	4.775-526.0	Rotary controller 270 l	1	PC
		Item text1: 1.151-651.0/ -652.0 / -653.0 / -654.0 /		
		Item text2: -655.0 / -656.0 /		
9	5.321-668.0	Handle	1	PC
		Item text1: 1.151-651.0/ -652.0 / -653.0 / -654.0 /		
		Item text2: -655.0 / -656.0 /		
10	7.343-069.0	Locking ring 25x1,2-1.4122 DIN 471	1	PC
		Item text1: 1.151-651.0/ -652.0 / -653.0 / -654.0 /		
		Item text2: -655.0 / -656.0 /		
11	6.391-417.0	High pressure hose DN6 25MPa 15m	1	PC
		Item text1: 1.150-654.0 /-657.0 / 1.151-651.0 / -652.0 /-653.0 /-654.0 /-655.0 / 1.214-126.0		
11	6.392-277.0	Hose assembly premium DN6 30MPa 15m	1	PC
		Item text1: 1.150-651.0 /-652.0 /-653.0		
12	4.363-691.0	O-Ring seal kpl. -nur fuer Ersatz-	2	PC
13	5.110-596.0	Sleeve	1	PC
14	2.880-001.0	Spare part set seals TR	1	PC



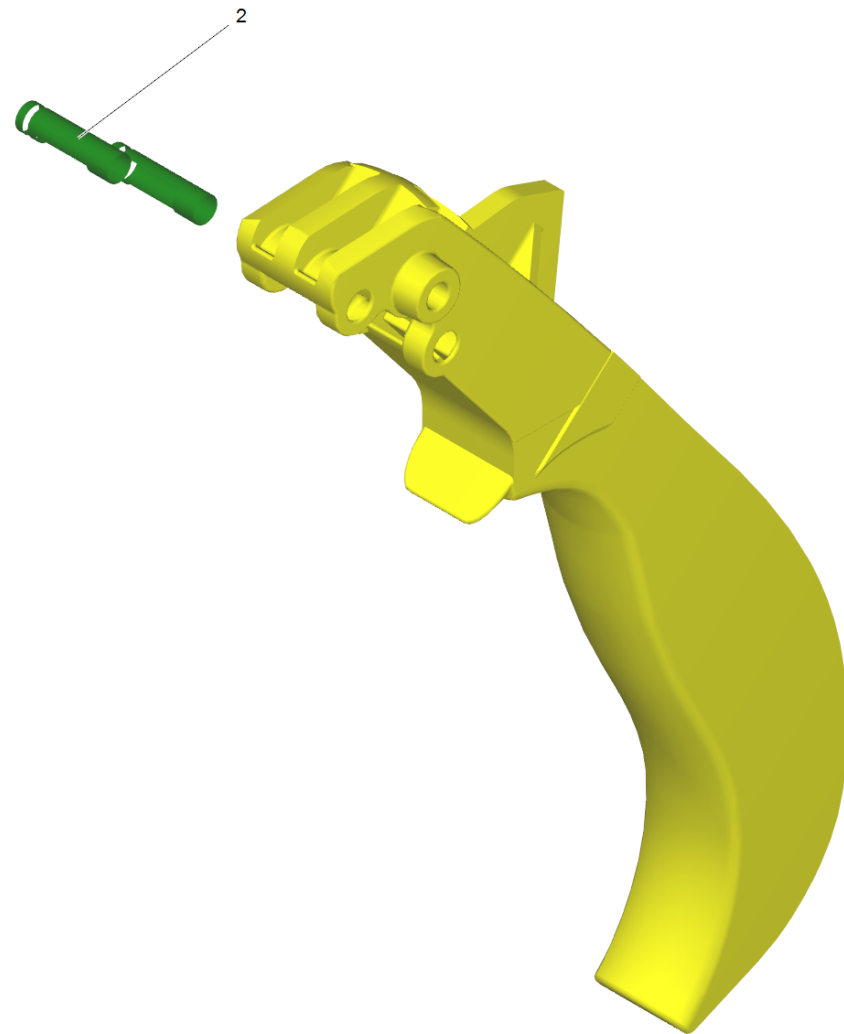
1 HAND TRIGGER GUN EASY PRESS (4.775-463.0)

POS	Article no.	Description	Quantity	Unit
2	4.037-013.0	Hook	1	PC
3	6.368-012.0	Protecting cap 22X1,5	1	PC
4	6.869-075.0	Metal bonding agent 1,5 ml	1	PC
cart_info_txt: This material is not available due to hazardous good regulation. Please procure this or a similar material from a local supplier of your choice.				
25	5.110-596.0	Sleeve	1	PC
32	5.321-669.3	Handhold few	1	PC
34	5.481-331.0	Slider	1	PC
45	7.303-096.0	Screw 4x22-ST-10.9-R2R (IN6RD)	7	PC
1041	6.288-044.0	Silicon grease 100 G	1	PC
9001	4.427-215.0	Manifold complete only for replacement	1	PC
9002	4.481-209.0	Lever complete	1	PC



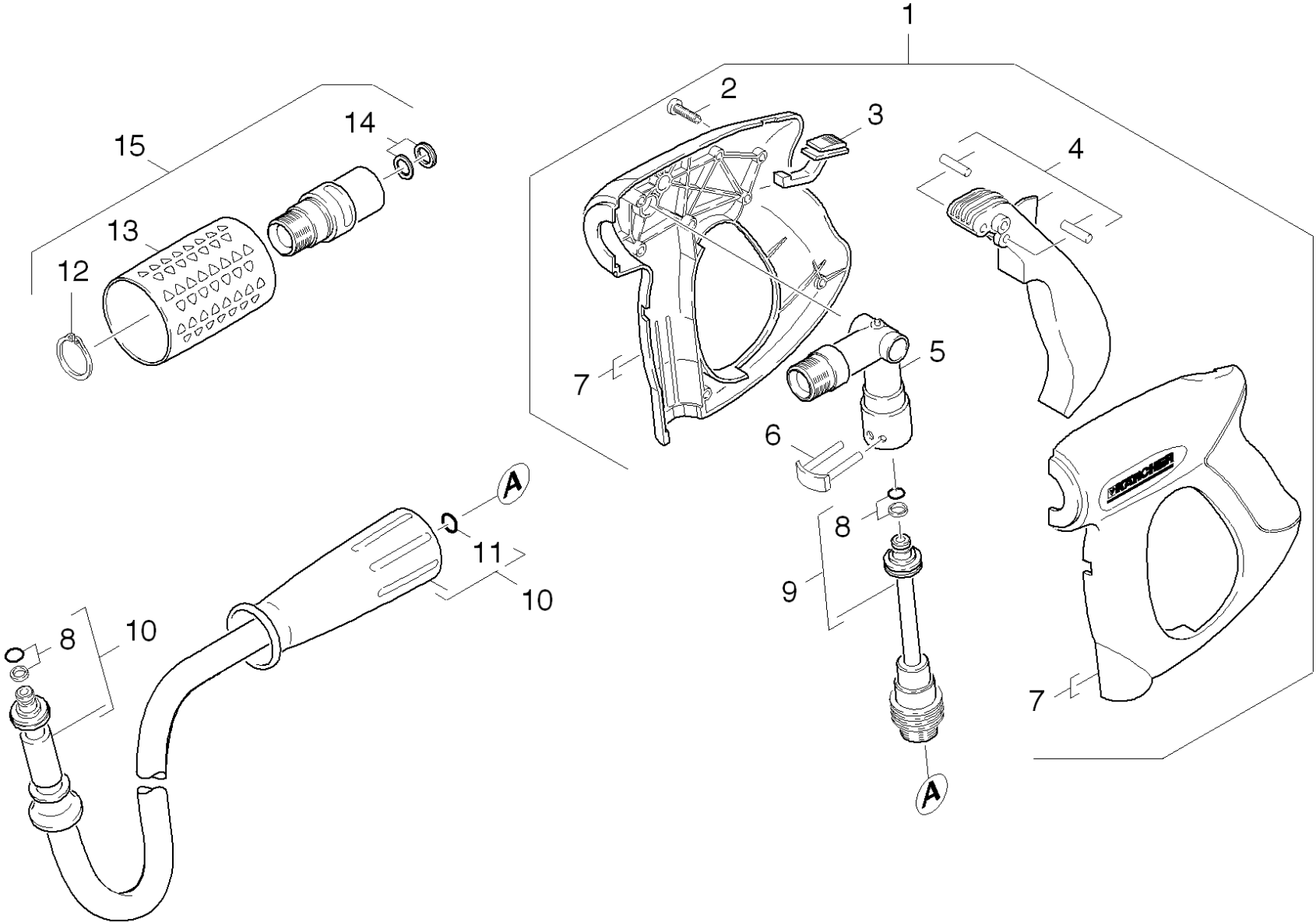
9002 Lever complete (4.481-209.0)

POS	Article no.	Description	Quantity	Unit
2	5.314-119.0	Pin	2	PC



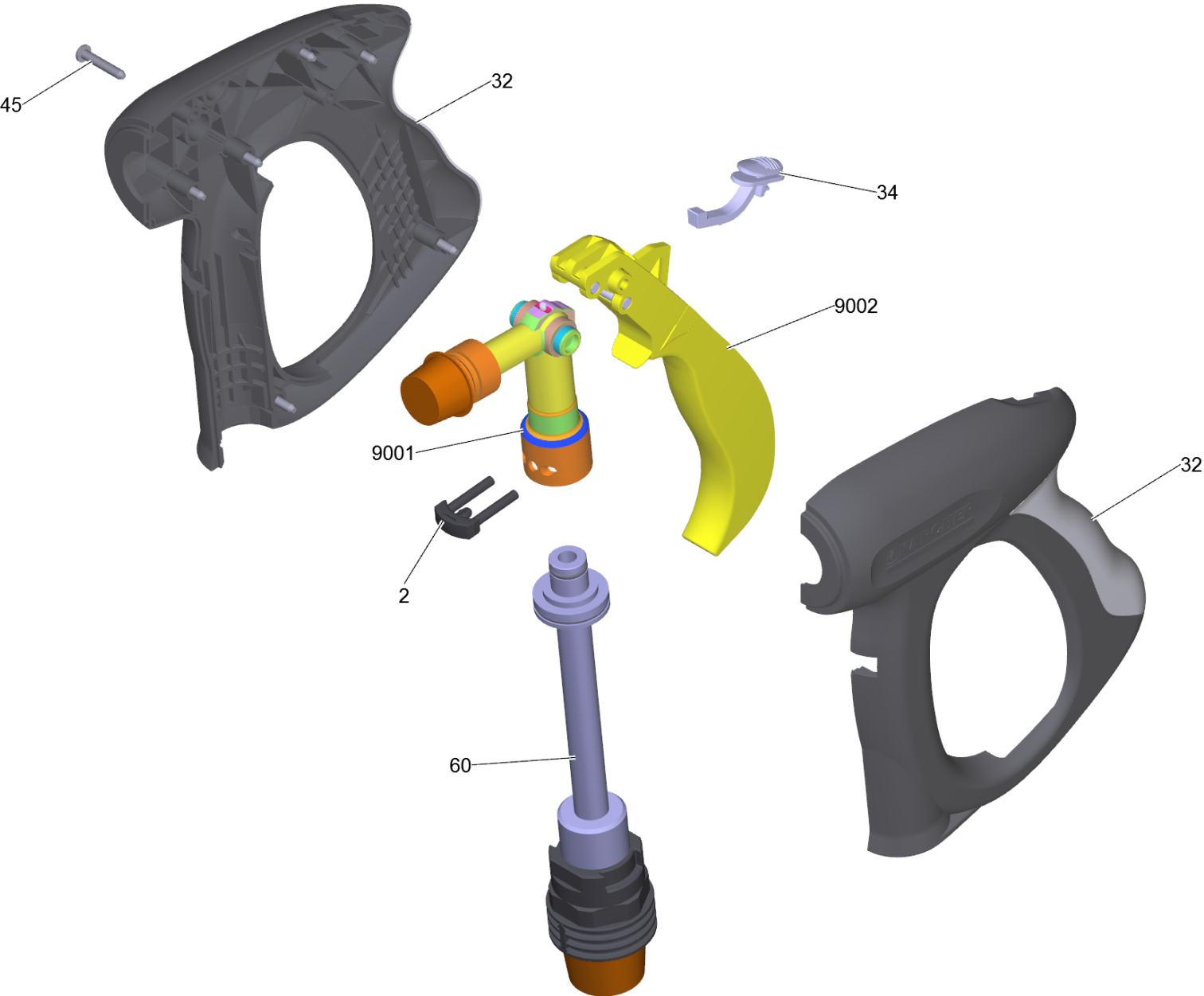
4 Lever complete (4.481-209.0)

POS	Article no.	Description	Quantity	Unit
2	5.314-119.0	Pin	2	PC



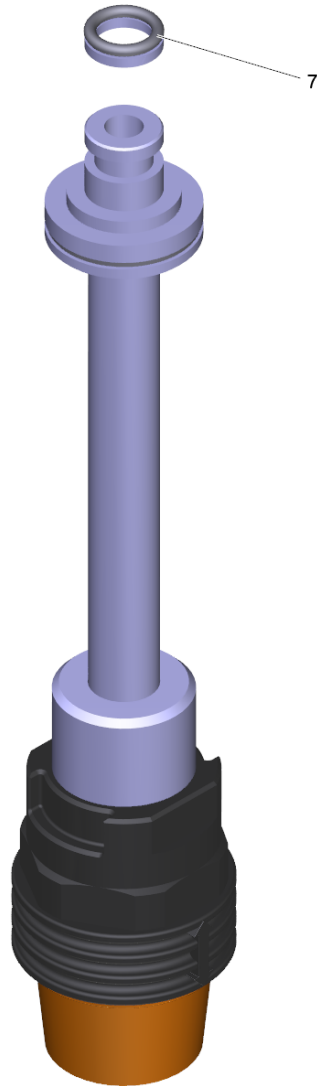
42 Hand trigger gun

POS	Article no.	Description	Quantity	Unit
1	4.775-466.0	Hand trigger gun	1	PC
	Item text1: 1.151-611.0			
2	7.303-096.0	Screw 4x22-ST-10.9-R2R (IN6RD)	7	PC
3	5.481-331.0	Slider	1	PC
4	4.481-209.0	Lever complete	1	PC
5	4.427-215.3	Manifold cpl. only for replacement	1	PC
6	4.037-013.0	Hook	1	PC
7	5.321-669.3	Handhold few	1	PC
8	4.363-691.0	O-Ring seal kpl. -nur fuer Ersatz-	1	PC
9	4.421-739.3	Adapter pipelines AVS-M22x1,5	1	PC
10	6.391-654.0	Hose assembly standard hygiene 15m DN6 2	1	PC
	Item text1: 1.151-611.0			
11	2.880-990.0	Spare part set O-Ring 5x -Kaercher	1	PC
12	7.343-008.0	Locking ring 25x1,2-St-vz DIN 471	1	PC
13	5.321-668.0	Handle	1	PC
14	2.880-001.0	Spare part set seals TR	1	PC
15	4.775-526.0	Rotary controller 270 I	1	PC



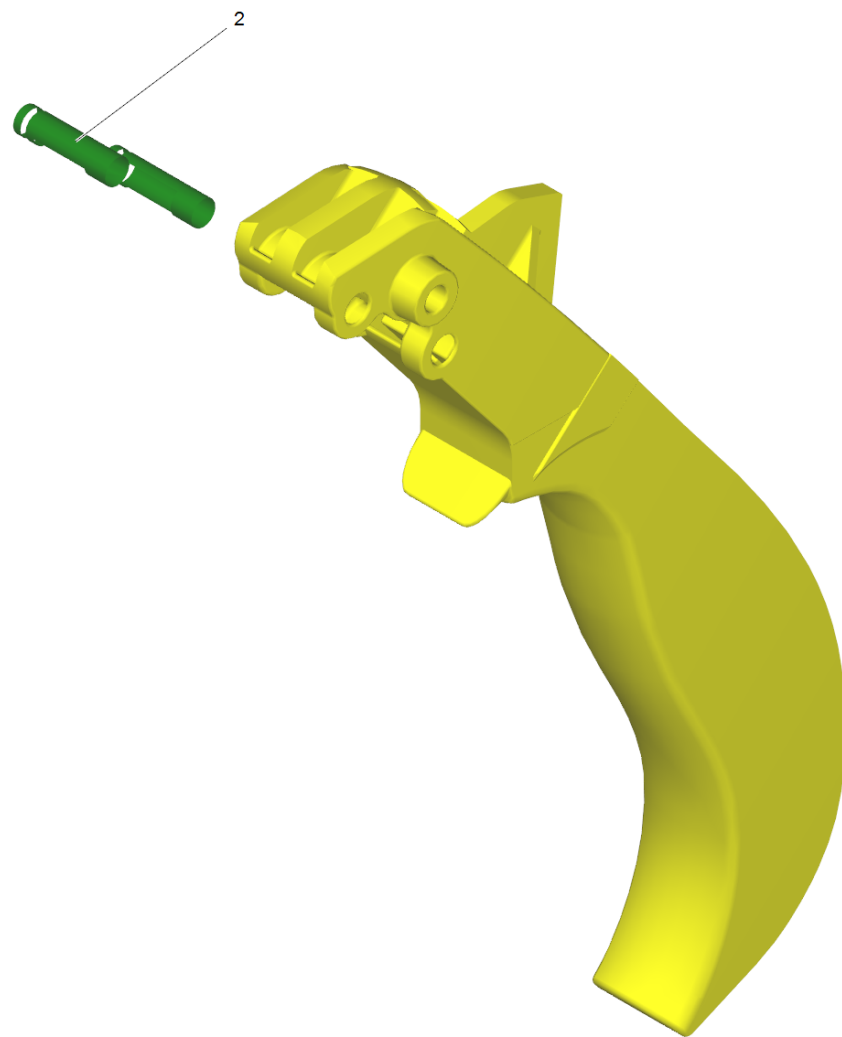
1 Hand trigger gun (4.775-466.0)

POS	Article no.	Description	Quantity	Unit
2	4.037-013.0	Hook	1	PC
32	5.321-669.3	Handhold few	1	PC
34	5.481-331.0	Slider	1	PC
45	7.303-096.0	Screw 4x22-ST-10.9-R2R (IN6RD)	7	PC
60	4.421-739.3	Adapter pipelines AVS-M22x1,5	1	PC
9001	4.427-215.0	Manifold complete only for replacement	1	PC
9002	4.481-209.0	Lever complete	1	PC



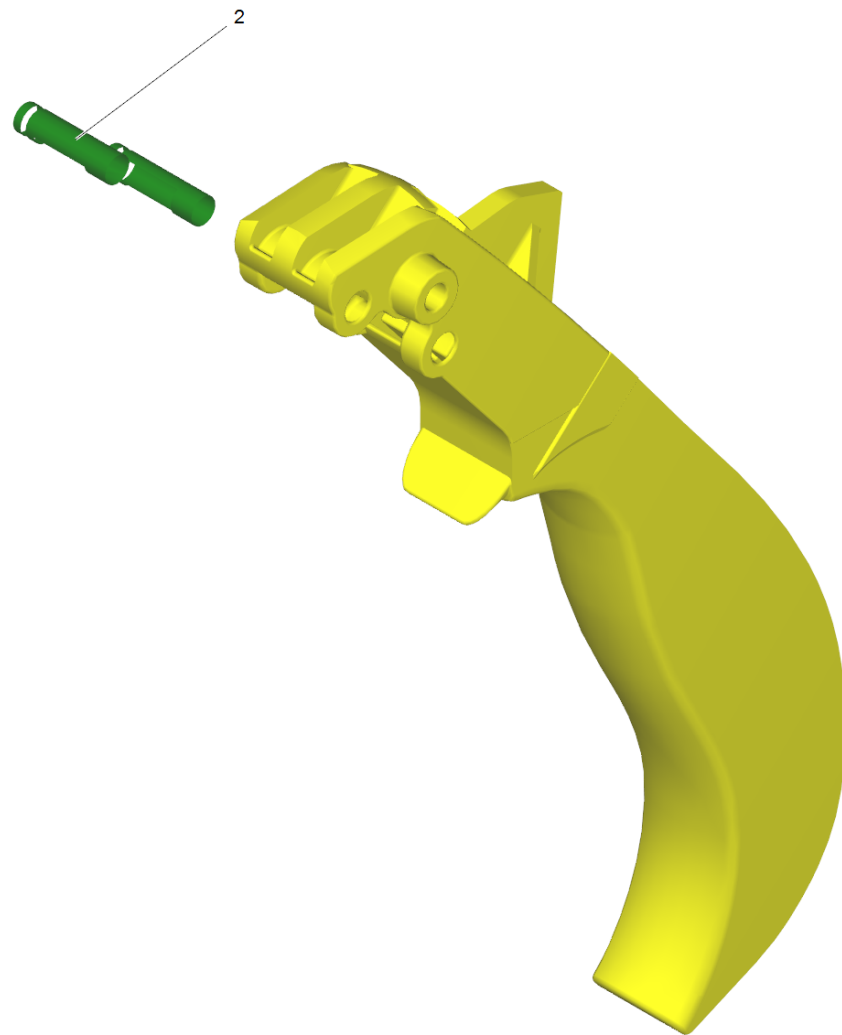
60 Adapter pipelines AVS-M22x1,5 (4.421-739.3)

POS	Article no.	Description	Quantity	Unit
7	4.363-691.0	O-Ring seal kpl. -nur fuer Ersatz-	1	PC



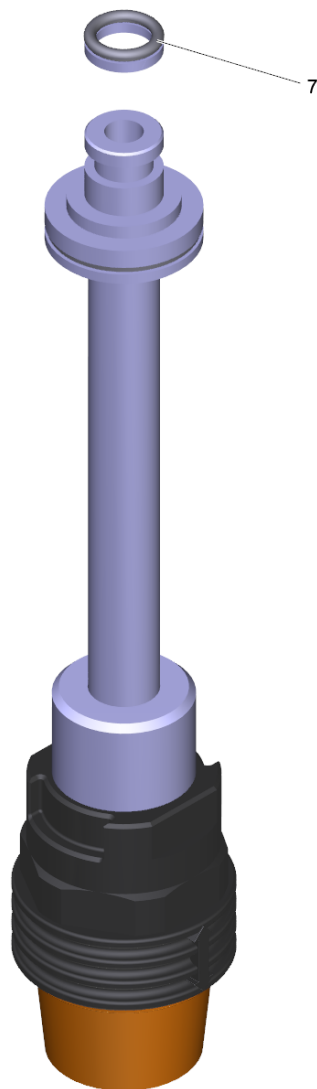
9002 Lever complete (4.481-209.0)

POS	Article no.	Description	Quantity	Unit
2	5.314-119.0	Pin	2	PC



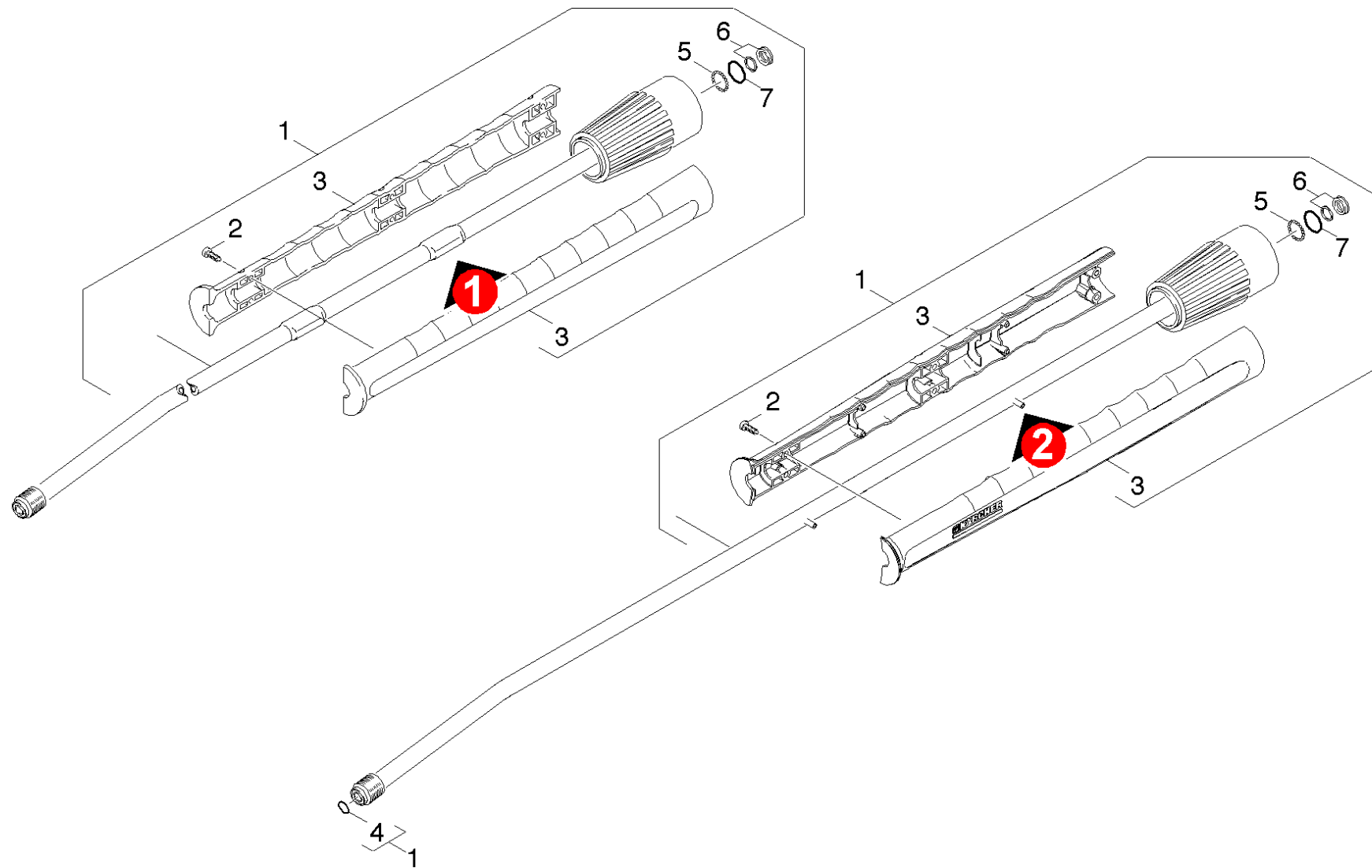
4 Lever complete (4.481-209.0)

POS	Article no.	Description	Quantity	Unit
2	5.314-119.0	Pin	2	PC



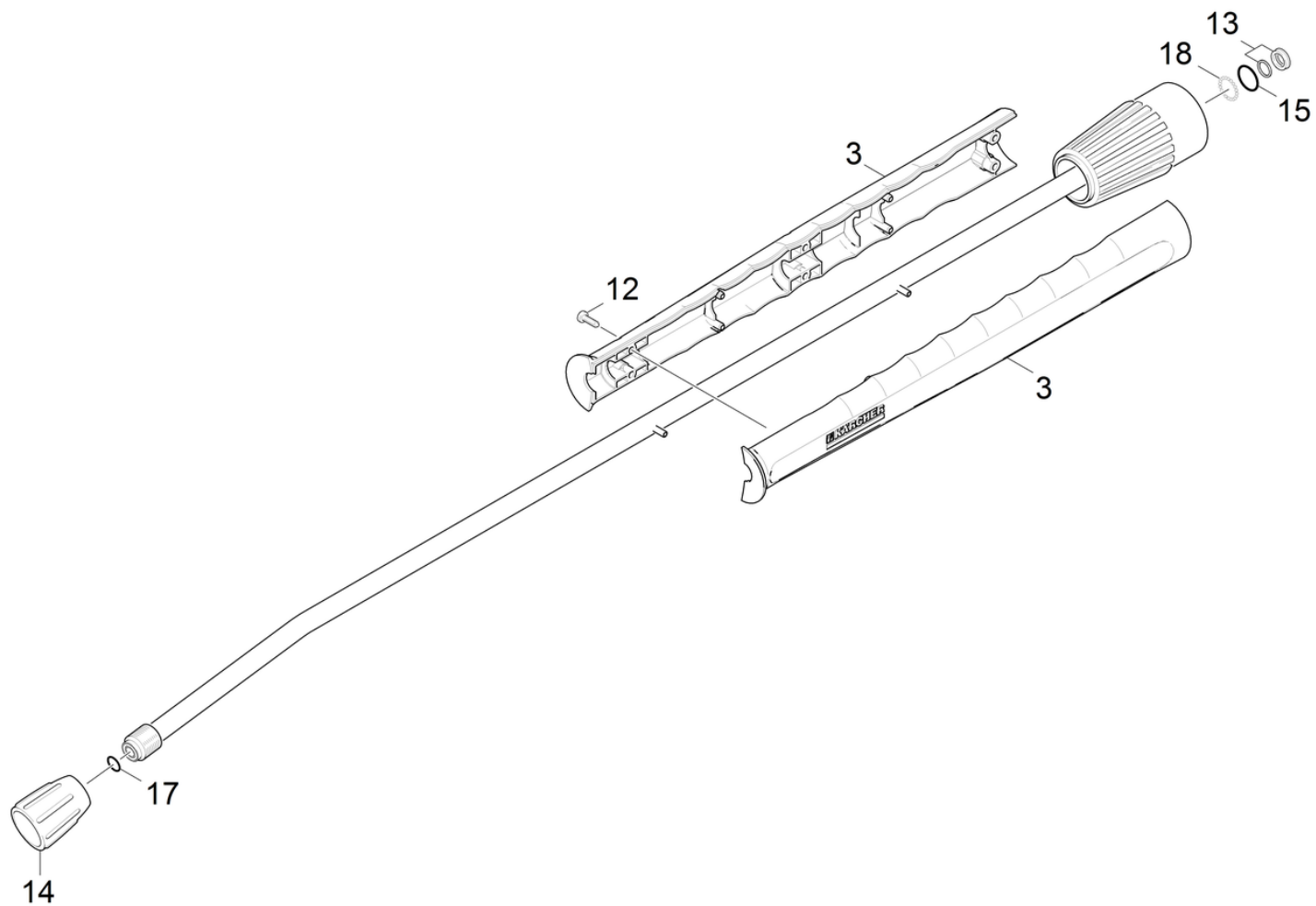
9 Adapter pipelines AVS-M22x1,5 (4.421-739.3)

POS	Article no.	Description	Quantity	Unit
7	4.363-691.0	O-Ring seal kpl. -nur fuer Ersatz-	1	PC



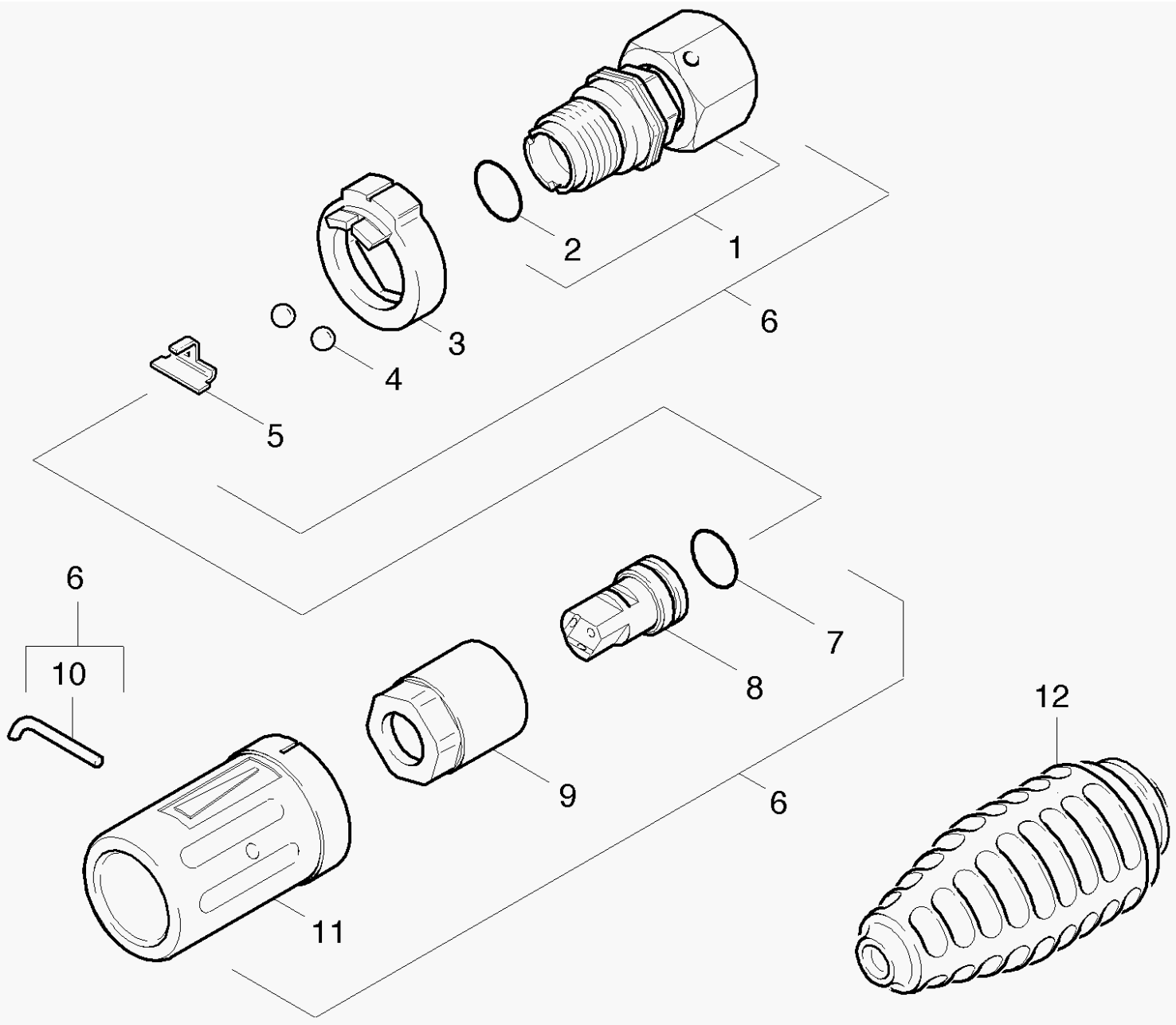
43 Jet pipe

POS	Article no.	Description	Quantity	Unit	Remark
1	4.760-663.0	Jet pipe packaged only for replacement	1	PC	
2	7.303-129.0	Screw 4x16-10.9-R2R (K-In6Rd)	6	PC	
3	5.321-855.0	Handhold few jet pipe with welding bolt	1	PC	VERSION 2
3	5.322-083.3	Handhold few extended Low End	1	PC	VERSION 1
4	2.880-990.0	Spare part set O-Ring 5x -Kaercher	1	PC	
5	7.401-915.0	Sphere 2,5 G40 -1.4034 DIN 5401	20	PC	
6	4.363-692.0	Grooved ring kpl. -nur fuer Ersatz-	1	PC	
7	6.362-524.0	O-Ring seal 17,0 X 1,5	1	PC	



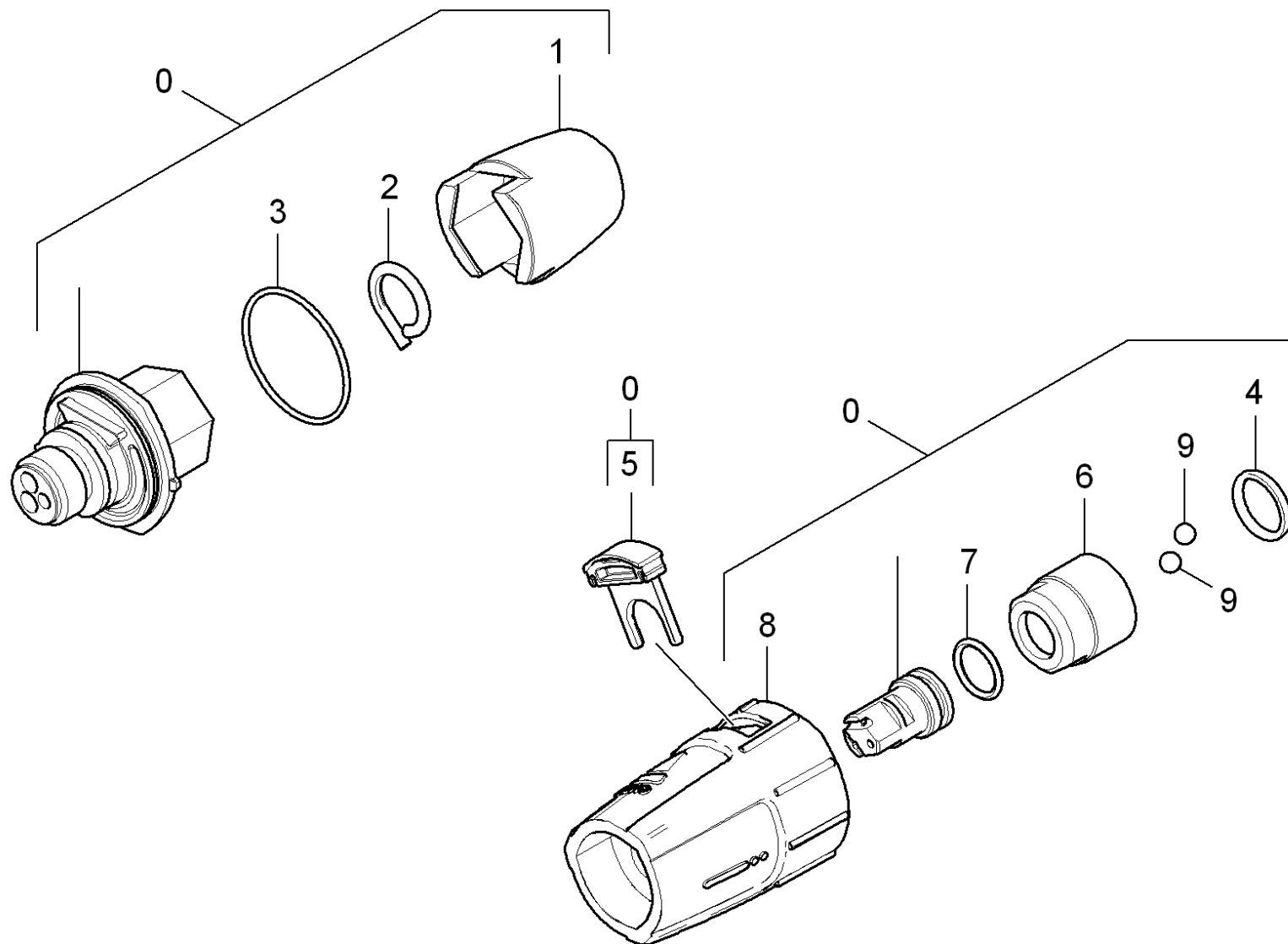
1 Jet pipe packaged only for replacement (4.760-663.0)

POS	Article no.	Description	Quantity	Unit
3	5.321-855.0	Handhold few jet pipe with welding bolt	1	PC
12	7.303-129.0	Screw 4x16-10.9-R2R (K-In6Rd)	6	PC
13	6.362-064.0	Quad joint ring 9.19x2.62	1	PC
14	5.401-210.0	Screw connector part	1	PC
15	6.362-524.0	O-Ring seal 17,0 X 1,5	1	PC
17	7.362-501.0	O-Ring seal 10x2 EPDM 70 DIN 3770	1	PC
18	7.401-915.0	Sphere 2,5 G40 -1.4034 DIN 5401	20	PC



44 Nozzle

POS	Article no.	Description	Quantity	Unit
1	4.402-042.0	Screw union	1	PC
2	6.362-460.0	O-Ring seal 14,0 X 2,5-NBR 70	1	PC
3	5.030-528.0	Moulded part	1	PC
4	7.401-902.0	Sphere 5 G20 -1.4034 DIN 5401	2	PC
5	5.042-405.0	Holder	1	PC
6	7.777-999.0	Stockpiling discontinued	1	PC
7	6.362-480.0	O-Ring seal 12,42x 1,78	1	PC
8	5.415-606.0	Triple jet nozzle 045	1	PC
	Item text1: 1.151-655.0 / -656.0 /			
8	6.415-571.0	Triple jet nozzle 060	1	PC
	Item text1: 1.151-611.0			
8	5.415-604.0	Triple jet nozzle 042	1	PC
	Item text1: 1.151-651.0 / -652.0 / -653.0 / -654.0			
8	5.415-605.0	Triple jet nozzle 043	1	PC
	Item text1: 1.150-652.0			
8	5.415-600.0	Triple jet nozzle 034	1	PC
	Item text1: 1.150-651.0/ -653.0 / -654.0 / -657.0			
9	5.311-117.0	Hexagon nut	1	PC
10	5.037-059.0	Hook	1	PC
11	5.394-269.0	Protection part	1	PC
12	4.767-022.0	Dirt blaster 035	1	PC
	Item text1: 1.150-653.0 / -654.0			
12	4.767-100.0	Dirt blaster 045	1	PC
	Item text1: 1.151-653.0/-654.0			



45 Nozzle

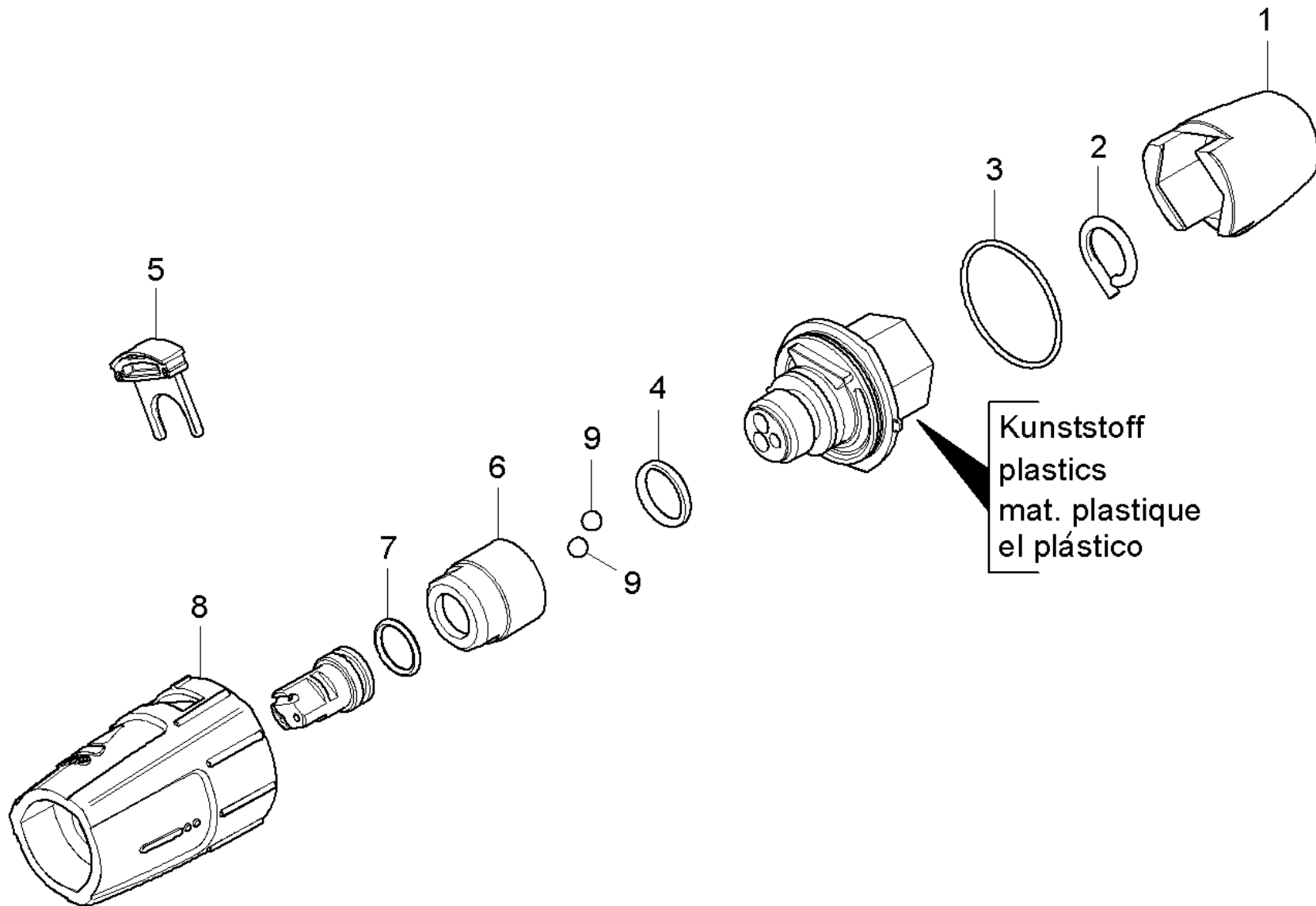
POS	Article no.	Description	Quantity	Unit
0	4.767-147.0	Triple jet nozzle replacement 034 Item text1: 1.150-651.0 /-653.0 /-654.0 /-657.0 / Item text2: / 1.214-126.0	1	PC
0	4.767-151.0	Triple jet nozzle only for replacement 0 Item text1: 1.151-651.0 /-652.0 /-653.0 /-654.0 /	1	PC
0	4.767-152.0	Triple jet nozzle only for replacement 0 Item text1: 1.150-652.0 /	1	PC
0	4.767-153.0	Triple jet nozzle only for replacement 0 Item text1: 1.151-655.0 /-656.0 /	1	PC
0	4.767-157.0	Triple jet nozzle only for replacement 0 Item text1: 1.151-611.0 /	1	PC
1	5.394-530.0	Protection part complete	1	PC
2	6.343-150.0	Pin 03	1	PC
3	6.362-409.0	O-Ring seal 32,0 X 1,5	1	PC
4	6.362-460.0	O-Ring seal 14,0 X 2,5-NBR 70	1	PC
5	5.321-884.0	Clamp	1	PC
6	5.311-225.0	Nut	1	PC
7	6.362-480.0	O-Ring seal 12,42x 1,78	1	PC
8	5.394-859.0	Protection part	1	PC
9	7.401-902.0	Sphere 5 G20 -1.4034 DIN 5401	2	PC

Triple jet nozzle replacement 034 (4.767-147.0)

POS	Article no.	Description	Quantity	Unit
2	5.970-837.0	Spare parts list triple jet nozzle	1	PC

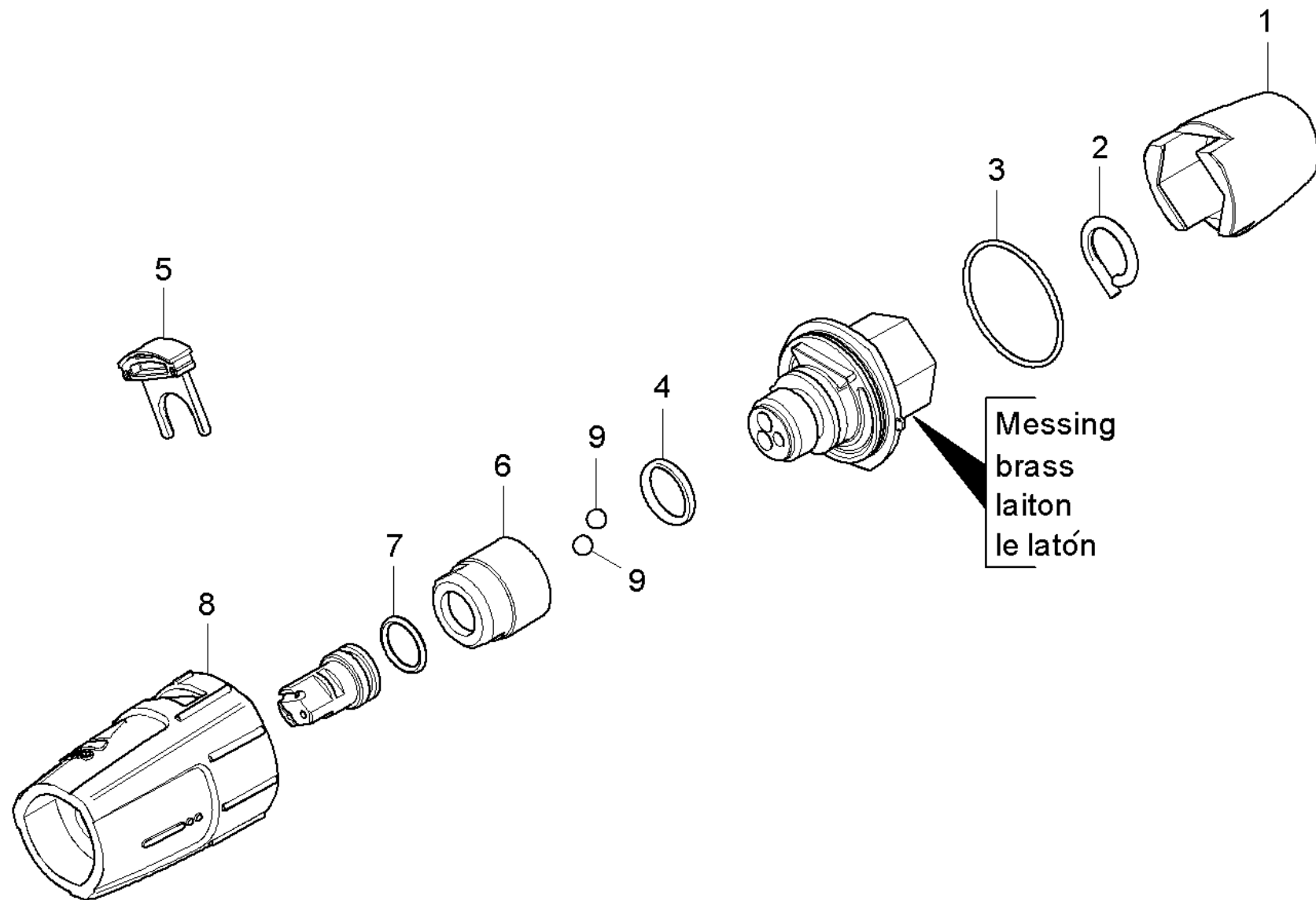
2 Spare parts list triple jet nozzle (5.970-837.0)

POS	Description	Quantity	Unit
10	Triple jet nozzle plastics	1	PC
20	Triple jet nozzle brass	1	PC



10 Triple jet nozzle plastics

POS	Article no.	Description	Quantity	Unit
1	5.394-530.0	Protection part complete	1	PC
2	6.343-150.0	Pin 03	1	PC
3	6.362-409.0	O-Ring seal 32,0 X 1,5	1	PC
4	7.362-039.0	O-Ring seal 15,5x1,5 -NBR70 DIN 3771	1	PC
5	5.321-884.0	Clamp	1	PC
6	5.311-236.0	Nut	1	PC
7	6.362-480.0	O-Ring seal 12,42x 1,78	1	PC
8	5.394-874.0	Protection part	1	PC
9	7.401-902.0	Sphere 5 G20 -1.4034 DIN 5401	2	PC



20 Triple jet nozzle brass

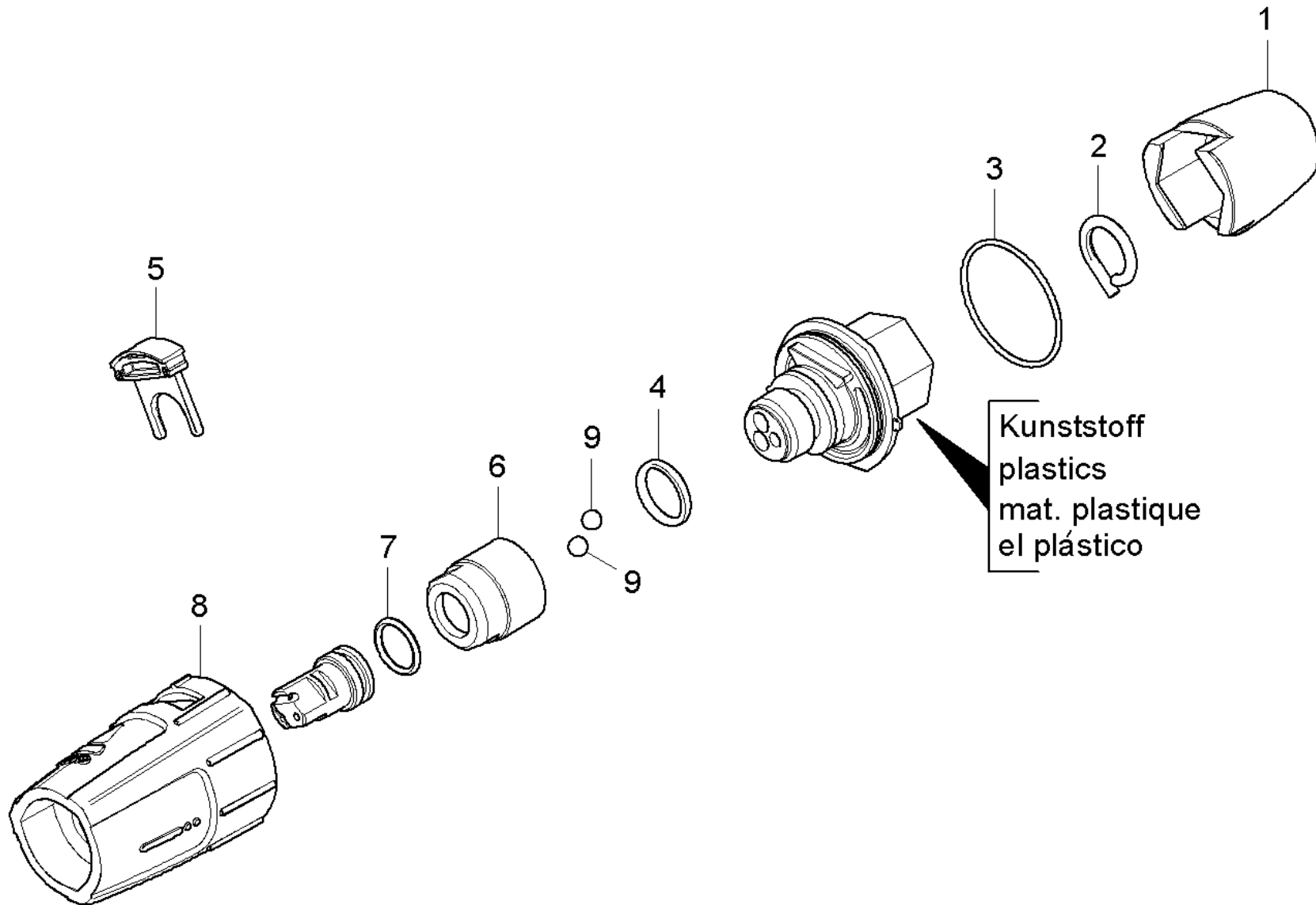
POS	Article no.	Description	Quantity	Unit
1	5.394-530.0	Protection part complete	1	PC
2	6.343-150.0	Pin 03	1	PC
3	6.362-409.0	O-Ring seal 32,0 X 1,5	1	PC
4	6.362-460.0	O-Ring seal 14,0 X 2,5-NBR 70	1	PC
5	5.321-884.0	Clamp	1	PC
6	5.311-225.0	Nut	1	PC
7	6.362-480.0	O-Ring seal 12,42x 1,78	1	PC
8	5.394-859.0	Protection part	1	PC
9	7.401-902.0	Sphere 5 G20 -1.4034 DIN 5401	2	PC

Triple jet nozzle only for replacement 0 (4.767-151.0)

POS	Article no.	Description	Quantity	Unit
2	5.970-837.0	Spare parts list triple jet nozzle	1	PC

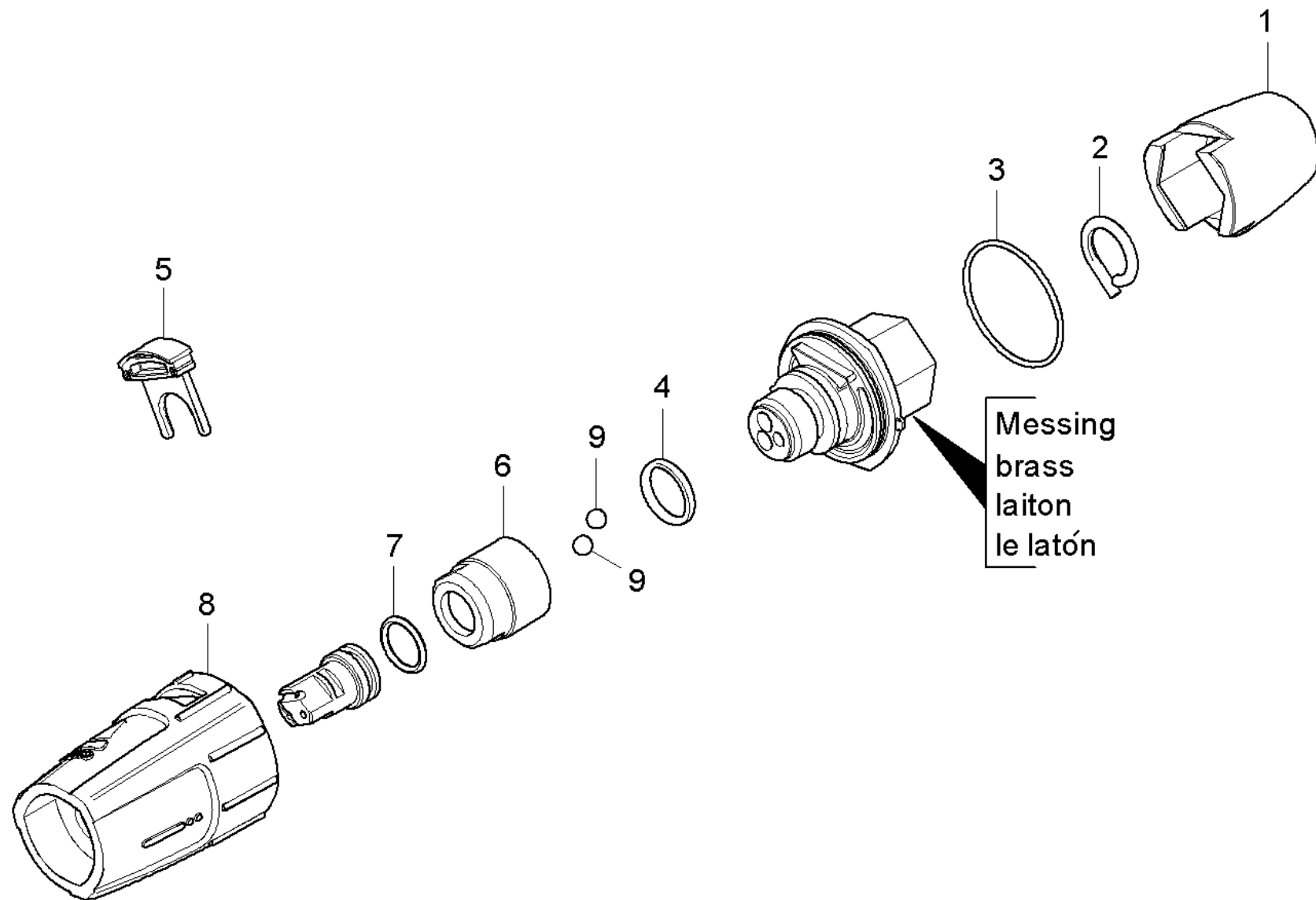
2 Spare parts list triple jet nozzle (5.970-837.0)

POS	Description	Quantity	Unit
10	Triple jet nozzle plastics	1	PC
20	Triple jet nozzle brass	1	PC



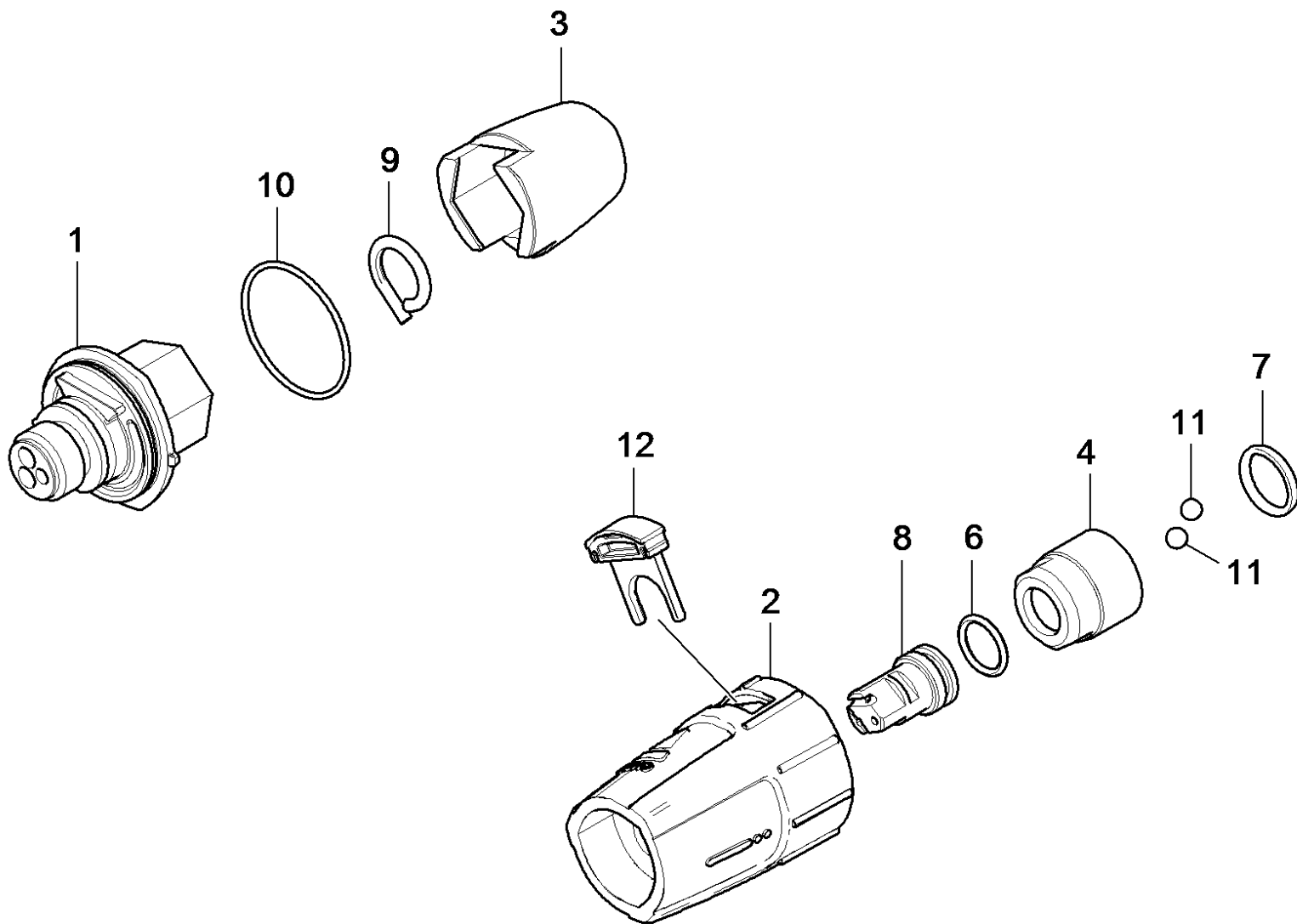
10 Triple jet nozzle plastics

POS	Article no.	Description	Quantity	Unit
1	5.394-530.0	Protection part complete	1	PC
2	6.343-150.0	Pin 03	1	PC
3	6.362-409.0	O-Ring seal 32,0 X 1,5	1	PC
4	7.362-039.0	O-Ring seal 15,5x1,5 -NBR70 DIN 3771	1	PC
5	5.321-884.0	Clamp	1	PC
6	5.311-236.0	Nut	1	PC
7	6.362-480.0	O-Ring seal 12,42x 1,78	1	PC
8	5.394-874.0	Protection part	1	PC
9	7.401-902.0	Sphere 5 G20 -1.4034 DIN 5401	2	PC



20 Triple jet nozzle brass

POS	Article no.	Description	Quantity	Unit
1	5.394-530.0	Protection part complete	1	PC
2	6.343-150.0	Pin 03	1	PC
3	6.362-409.0	O-Ring seal 32,0 X 1,5	1	PC
4	6.362-460.0	O-Ring seal 14,0 X 2,5-NBR 70	1	PC
5	5.321-884.0	Clamp	1	PC
6	5.311-225.0	Nut	1	PC
7	6.362-480.0	O-Ring seal 12,42x 1,78	1	PC
8	5.394-859.0	Protection part	1	PC
9	7.401-902.0	Sphere 5 G20 -1.4034 DIN 5401	2	PC



Triple jet nozzle only for replacement 0 (4.767-152.0)

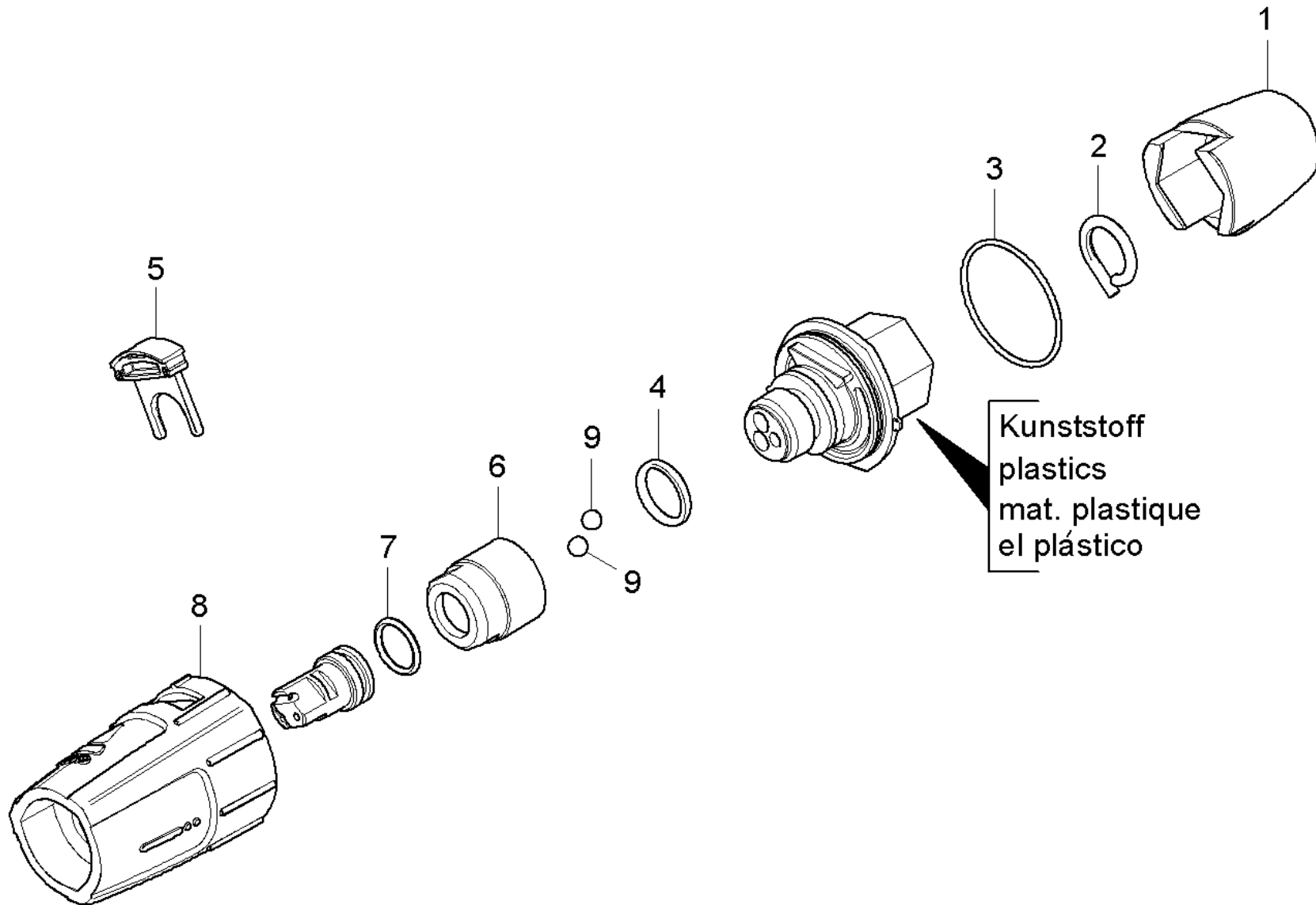
POS	Article no.	Description	Quantity	Unit
1		Distributor	1	PC
2	5.394-859.0	Protection part	1	PC
3	5.394-530.0	Protection part complete	1	PC
4	5.311-225.0	Nut	1	PC
6	6.362-480.0	O-Ring seal 12,42x 1,78	1	PC
7	6.362-460.0	O-Ring seal 14,0 X 2,5-NBR 70	1	PC
8	5.415-605.0	Triple jet nozzle 043	1	PC
9	6.343-150.0	Pin 03	1	PC
10	6.362-409.0	O-Ring seal 32,0 X 1,5	1	PC
11	7.401-902.0	Sphere 5 G20 -1.4034 DIN 5401	2	PC
12	5.321-884.0	Clamp	1	PC

Triple jet nozzle only for replacement 0 (4.767-153.0)

POS	Article no.	Description	Quantity	Unit
2	5.970-837.0	Spare parts list triple jet nozzle	1	PC

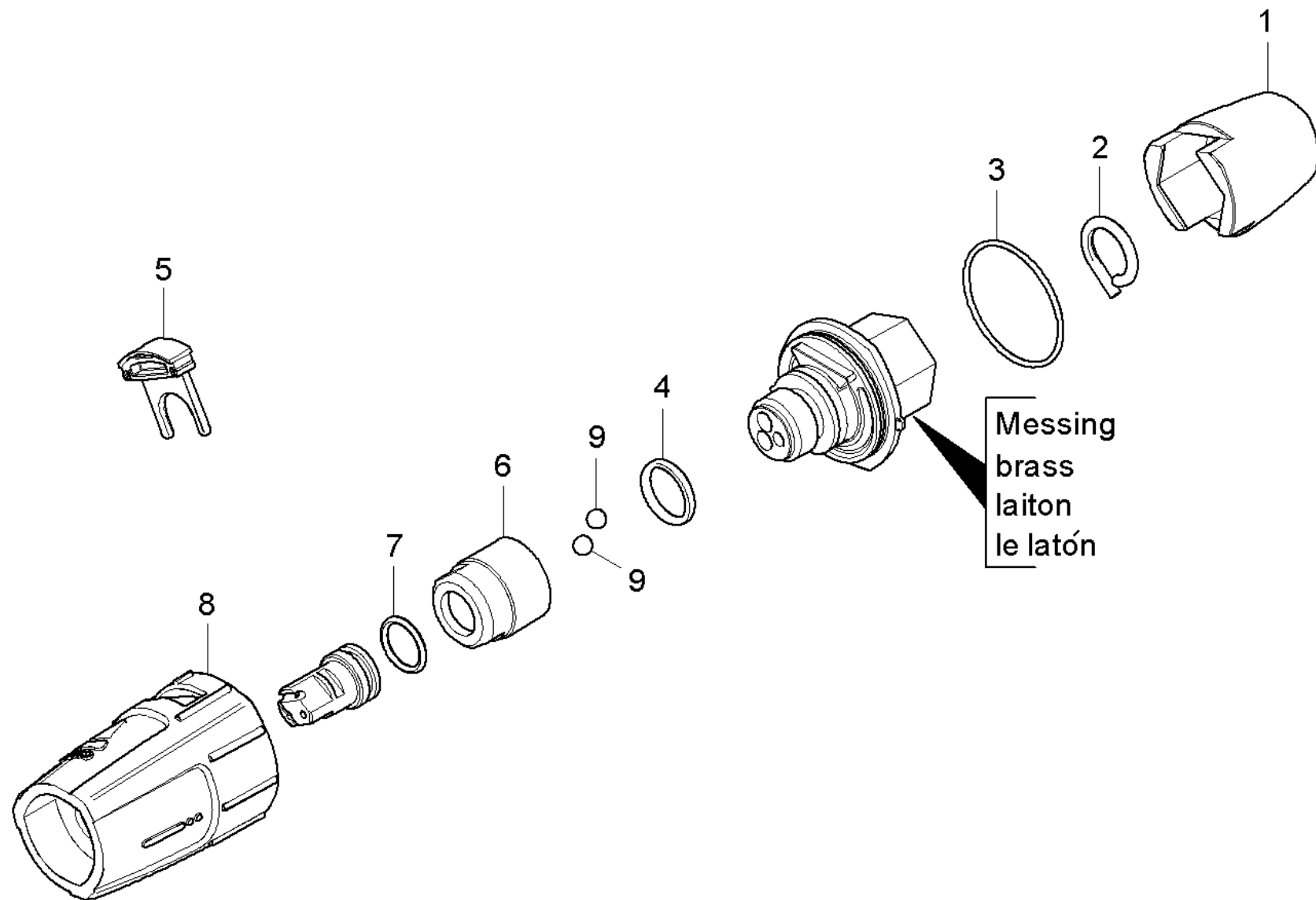
2 Spare parts list triple jet nozzle (5.970-837.0)

POS	Description	Quantity	Unit
10	Triple jet nozzle plastics	1	PC
20	Triple jet nozzle brass	1	PC



10 Triple jet nozzle plastics

POS	Article no.	Description	Quantity	Unit
1	5.394-530.0	Protection part complete	1	PC
2	6.343-150.0	Pin 03	1	PC
3	6.362-409.0	O-Ring seal 32,0 X 1,5	1	PC
4	7.362-039.0	O-Ring seal 15,5x1,5 -NBR70 DIN 3771	1	PC
5	5.321-884.0	Clamp	1	PC
6	5.311-236.0	Nut	1	PC
7	6.362-480.0	O-Ring seal 12,42x 1,78	1	PC
8	5.394-874.0	Protection part	1	PC
9	7.401-902.0	Sphere 5 G20 -1.4034 DIN 5401	2	PC



20 Triple jet nozzle brass

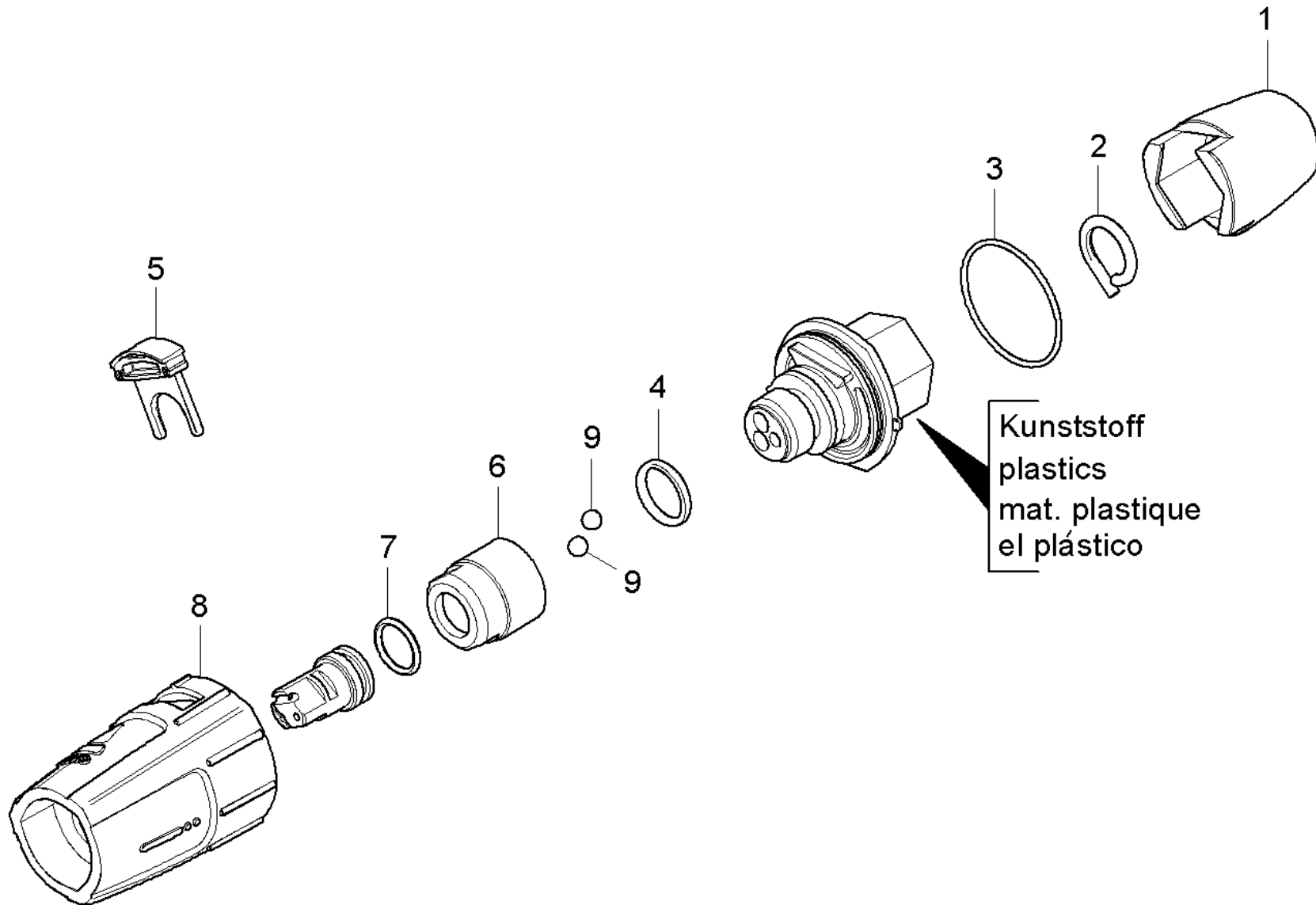
POS	Article no.	Description	Quantity	Unit
1	5.394-530.0	Protection part complete	1	PC
2	6.343-150.0	Pin 03	1	PC
3	6.362-409.0	O-Ring seal 32,0 X 1,5	1	PC
4	6.362-460.0	O-Ring seal 14,0 X 2,5-NBR 70	1	PC
5	5.321-884.0	Clamp	1	PC
6	5.311-225.0	Nut	1	PC
7	6.362-480.0	O-Ring seal 12,42x 1,78	1	PC
8	5.394-859.0	Protection part	1	PC
9	7.401-902.0	Sphere 5 G20 -1.4034 DIN 5401	2	PC

Triple jet nozzle only for replacement 0 (4.767-157.0)

POS	Article no.	Description	Quantity	Unit
2	5.970-837.0	Spare parts list triple jet nozzle	1	PC

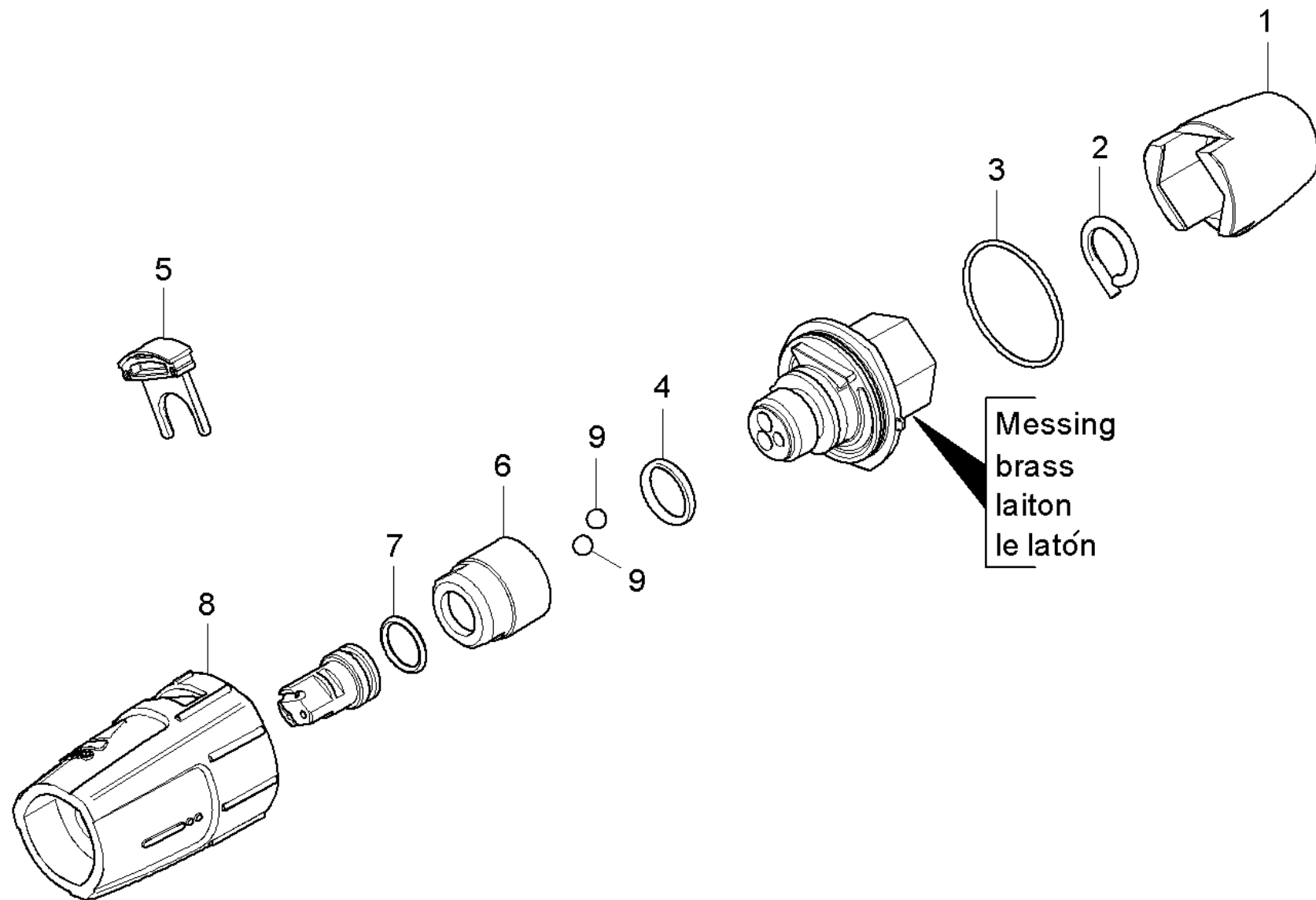
2 Spare parts list triple jet nozzle (5.970-837.0)

POS	Description	Quantity	Unit
10	Triple jet nozzle plastics	1	PC
20	Triple jet nozzle brass	1	PC



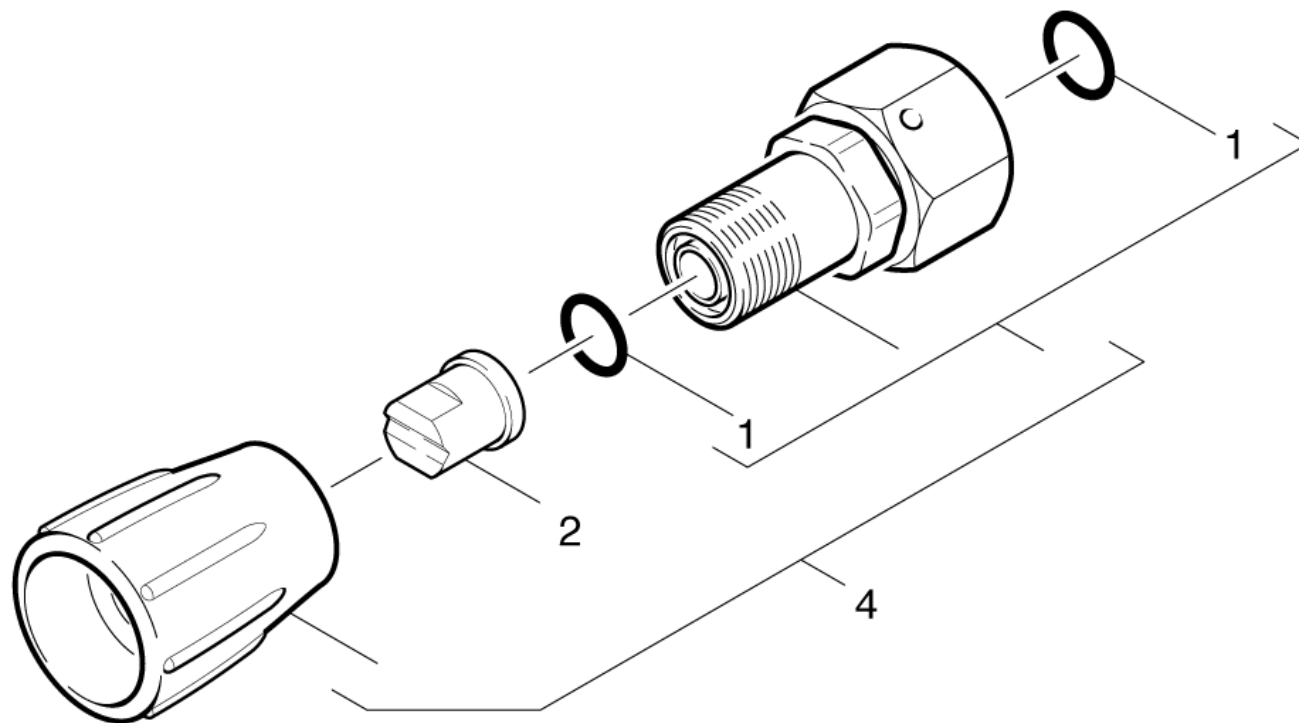
10 Triple jet nozzle plastics

POS	Article no.	Description	Quantity	Unit
1	5.394-530.0	Protection part complete	1	PC
2	6.343-150.0	Pin 03	1	PC
3	6.362-409.0	O-Ring seal 32,0 X 1,5	1	PC
4	7.362-039.0	O-Ring seal 15,5x1,5 -NBR70 DIN 3771	1	PC
5	5.321-884.0	Clamp	1	PC
6	5.311-236.0	Nut	1	PC
7	6.362-480.0	O-Ring seal 12,42x 1,78	1	PC
8	5.394-874.0	Protection part	1	PC
9	7.401-902.0	Sphere 5 G20 -1.4034 DIN 5401	2	PC



20 Triple jet nozzle brass

POS	Article no.	Description	Quantity	Unit
1	5.394-530.0	Protection part complete	1	PC
2	6.343-150.0	Pin 03	1	PC
3	6.362-409.0	O-Ring seal 32,0 X 1,5	1	PC
4	6.362-460.0	O-Ring seal 14,0 X 2,5-NBR 70	1	PC
5	5.321-884.0	Clamp	1	PC
6	5.311-225.0	Nut	1	PC
7	6.362-480.0	O-Ring seal 12,42x 1,78	1	PC
8	5.394-859.0	Protection part	1	PC
9	7.401-902.0	Sphere 5 G20 -1.4034 DIN 5401	2	PC

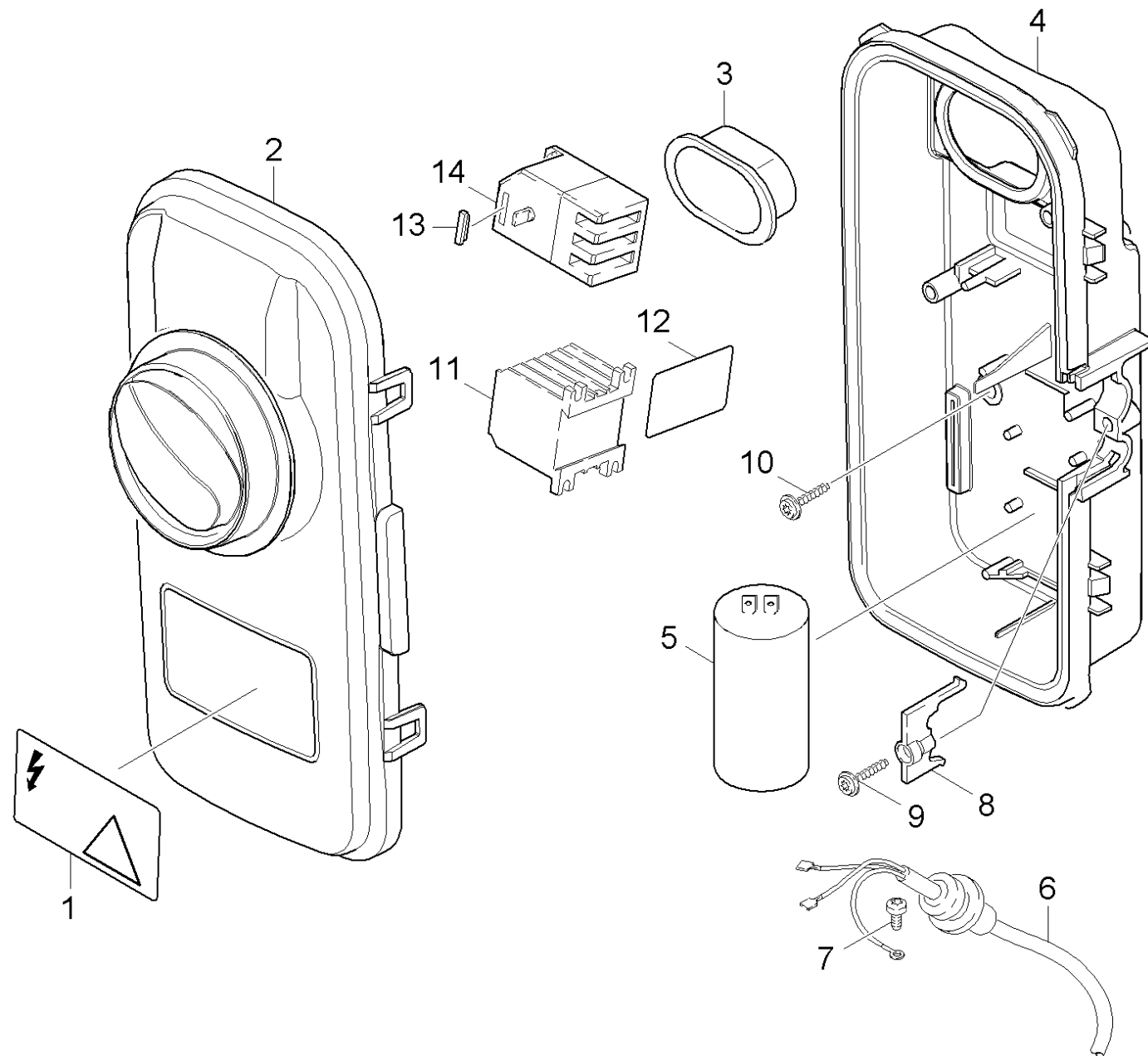


46 Nozzle

POS	Article no.	Description	Quantity	Unit
1	2.880-154.0	O-Ring kit	1	PC
2	5.765-150.0	Power nozzle 40 060	1	PC
	Item text1: 1.151-611.0			
4	4.402-077.0	Screw union complete 060	1	PC
	Item text1: 1.151-611.0			

50 Electric box

POS	Description	Quantity	Unit
51	Electric box Item text1: 1.150-651.0 /-652.0 /-653.0 /-654.0 /-657.0 / 1.151-611.0 /-651.0 /-652.0 /-653.0 /-654.0 /-655.0 /-656.0	1	PC
52	Electric box Item text1: 1.214-126.0	1	PC

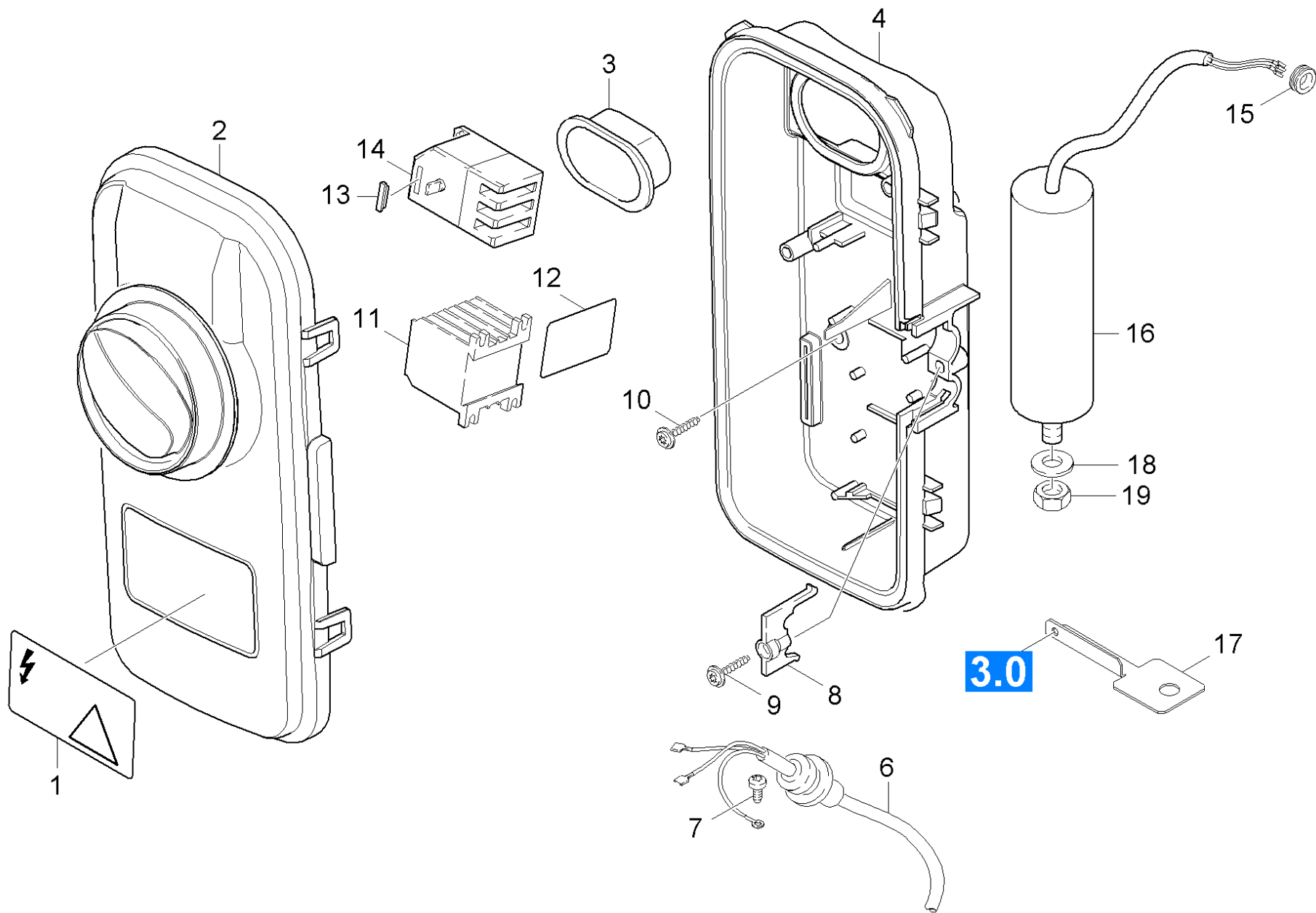


51 Electric box

POS	Article no.	Description	Quantity	Unit
1	5.388-512.0	Label	1	PC
2	4.063-810.0	Cover completely	1	PC
	Item text1: 1.151-611.0 / -651.0 / -652.0 / -653.0 /			
	Item text2: -654.0 / -655.0 / -656.0			
2	4.744-166.0	Switch complete	1	PC
	Item text1: 1.150-652.0			
2	4.744-266.0	Switch complete	1	PC
	Item text1: 1.150-651.0 / -653.0 / -654.0 / -657.0			
3	5.365-181.0	Profile gasket	1	PC
4	5.061-000.0	Housing	1	PC
5	6.661-158.0	Capacitor 40µF	1	PC
	Item text1: 1.150-651.0 / -652.0 / -653.0 / -654.0 /			
	Item text2: 1.150-657.0			
6	6.649-943.0	Cable with plug CH	1	PC
	Item text1: 1.150-652.0			
6	6.649-350.3	Cable complete	1	PC
	Item text1: 1.151-655.0 / -656.0 /			
6	6.649-237.0	Cable with plug *AU	1	PC
	Item text1: 1.150-657.0			
6	6.649-185.0	Cable without plug	1	PC
	Item text1: 1.151-652.0 / -654.0			
6	6.649-134.3	Cable with plug	1	PC
	Item text1: 1.151-611.0 / -651.0 / -653.0 /			
6	6.648-977.3	Cable with plug *GB	1	PC
	Item text1: 1.150-654.0			
6	6.648-906.3	Cable with plug	1	PC
	Item text1: 1.150-651.0 / -653.0			
7	7.303-031.0	Screw M4x10 -St-P2R (In6Rd)	1	PC
8	5.263-051.0	Tensioning part	1	PC
9	7.303-109.0	Screw 5x25 -10.9-R2R (In6Rd)	1	PC
10	6.303-153.0	Screw M5x15-ST-R2R (IN6RD)	3	PC
11	6.632-173.0	Contacteur 4,0KW/400V	1	PC
	Item text1: 1.151-611.0 / -651.0 / -653.0 /			

51 Electric box

POS	Article no.	Description	Quantity	Unit
11	6.632-281.0	Contacteur 50/60 Hz	1	PC
	Item text1: 1.151-652.0 / -654.0 / -655.0 / -656.0 /			
12	5.048-251.0	Plate	1	PC
	Item text1: 1.151-611.0 / -651.0 / -652.0 / -653.0 /			
	Item text2: -654.0 / -655.0 / -656.0			
13	6.630-049.0	Cap	1	PC
	Item text1: 1.151-611.0 / -651.0 / -652.0 / -653.0 /			
	Item text2: -654.0 / -655.0 / -656.0			
14	6.631-190.0	Motor protecting switch	1	PC
	Item text1: 1.151-611.0 / -651.0 / -652.0 / -653.0 /			
	Item text2: -654.0 / -655.0 / -656.0			



52 Electric box

POS	Article no.	Description	Quantity	Unit
1	5.388-512.0	Label	1	PC
2	4.063-810.0	Cover completely	1	PC
	Item text1: 1.214-126.0			
3	5.365-181.0	Profile gasket	1	PC
4	5.064-242.0	Housing with bore	1	PC
	Item text1: 1.214-126.0			
6	6.649-424.0	Cable with plug	1	PC
	Item text1: 1.214-126.0			
7	7.303-031.0	Screw M4x10 -St-P2R (In6Rd)	1	PC
8	5.263-058.0	Tensioning part	1	PC
9	7.303-109.0	Screw 5x25 -10.9-R2R (In6Rd)	1	PC
10	6.303-153.0	Screw M5x15-ST-R2R (IN6RD)	3	PC
11	6.632-421.0	Contacteur 7,5 kW / 220 V	1	PC
	Item text1: 1.214-126.0			
12	5.048-251.0	Plate	1	PC
13	6.630-049.0	Cap	1	PC
14	6.631-196.0	Motor protecting switch	1	PC
	Item text1: 1.214-126.0			
15	6.641-402.0	Wire protecting sleeve	1	PC
16	6.661-254.3	Capacitor 80 µF	1	PC
17	5.043-069.0	Holder for capacitor	1	PC
18	7.311-071.0	Hexagon nut M12-A2-70 ISO 4032	1	PC
19	7.312-054.0	Washer 12-A2 ISO 7089	1	PC