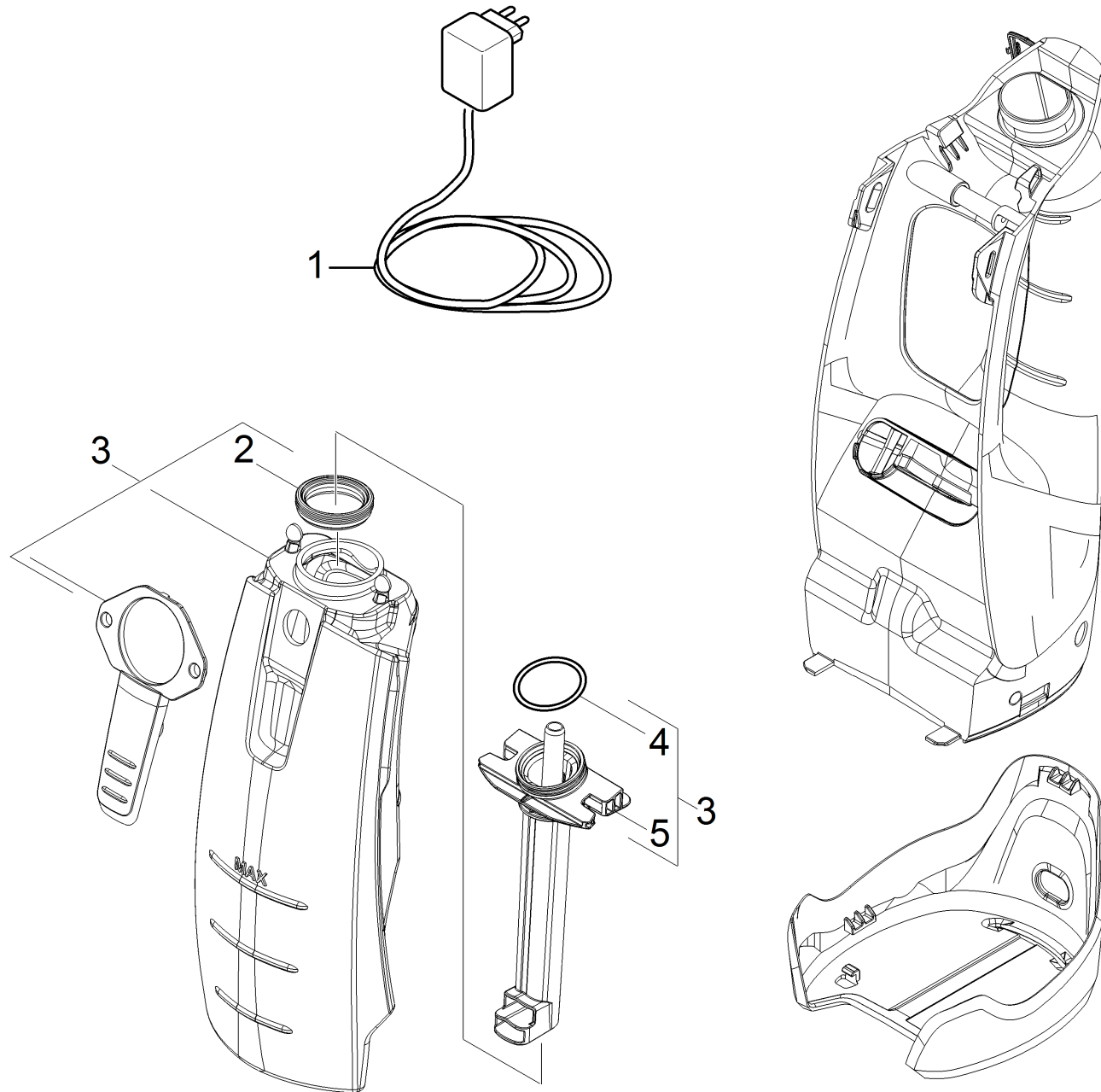


20 Housing

Home and Garden \ Window cleaner \ WV 2 *EU \ Spare parts list WV2. 1.633-300.0 \ Housing



20 Housing

Home and Garden \ Window cleaner \ WV 2 *EU \ Spare parts list WV2. 1.633-300.0 \ Housing



POS	Article no.	Description	Quantity	Unit
1	2.633-107.0	WV battery charger *EU	1.000	ST
3	4.633-021.0	Tank complete only for replacement	1.000	ST
2	5.633-141.0	Seal tank	1.000	ST
4	6.363-536.0	O-Ring seal 21x1,5	1.000	ST
5	5.633-109.0	Intake water	1.000	ST