

## **Spare parts list**

(1.324-002.0) K 4 Full Control \*GB

## Table of contents

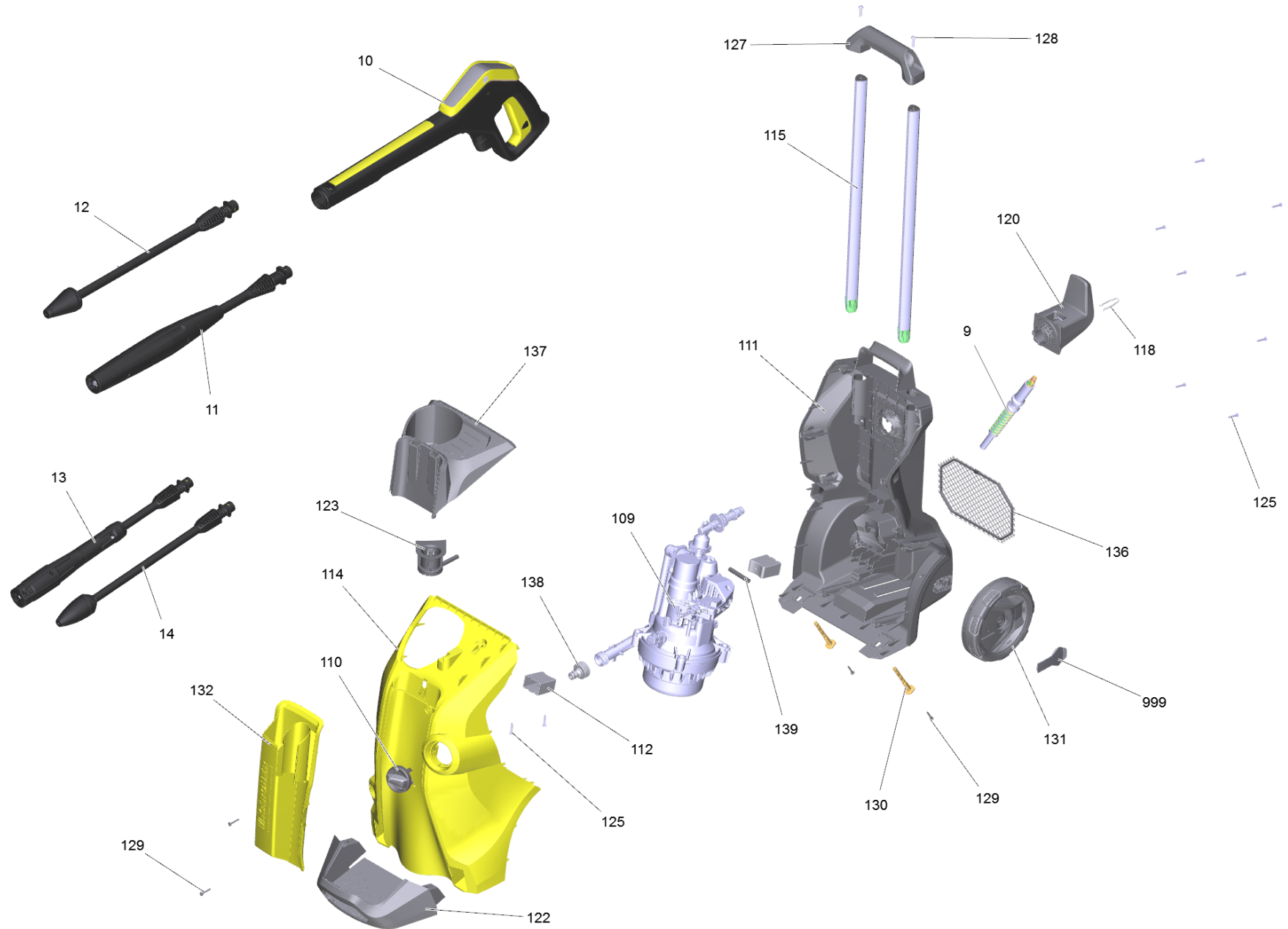
---

K 4 Full Control *GB (1.324-002.0)	3
201 Spare parts list K4 Full Control *GB (5.973-847.0)	4
9 H 9 Q high pressure hose Quick Connect (2.641-721.0)	6
10 Spare part set G 145 Q Full Control (2.885-478.0)	8
1 G 145 FC	9
11 VP 145 FC Vario Power Jet 026 (4.760-024.0)	10
12 Dirt blaster 0285 (4.764-068.0)	12
13 VP 145 Vario Power Jet (packaged) (2.642-725.0)	14
14 DB 145 rotor nozzle packaged (2.642-728.0)	16
109 Pump set complete K4 FC *GB	18
110 Thrust guidance complete FC K4 (9.013-340.0)	20
120 Pump WCM plastic (HR) new	22
1 Head end WCM c/guarnizioni Tuico (9.002-552.0)	24
2 pressure piston HR (spare) (9.002-028.0)	26
130 Motor FC K4 GB WCM 3/3.5 (RIC) (9.002-454.0)	28
10 Motor H82.5 GB Wcm 3.5	30
140 Suction connection complete FC (9.013-345.0)	32
150 High-pressure outlet complete K4 FC (9.013-347.0)	34
160 High-pressure outlet inside complete K4 (9.013-355.0)	36
170 Spare parts set electric box (9.002-450.0)	38
120 Set Back Foot FC (9.002-437.0)	40
131 Wheel in pairs FC 1K D160 (9.002-438.0)	42

K 4 Full Control \*GB (1.324-002.0)

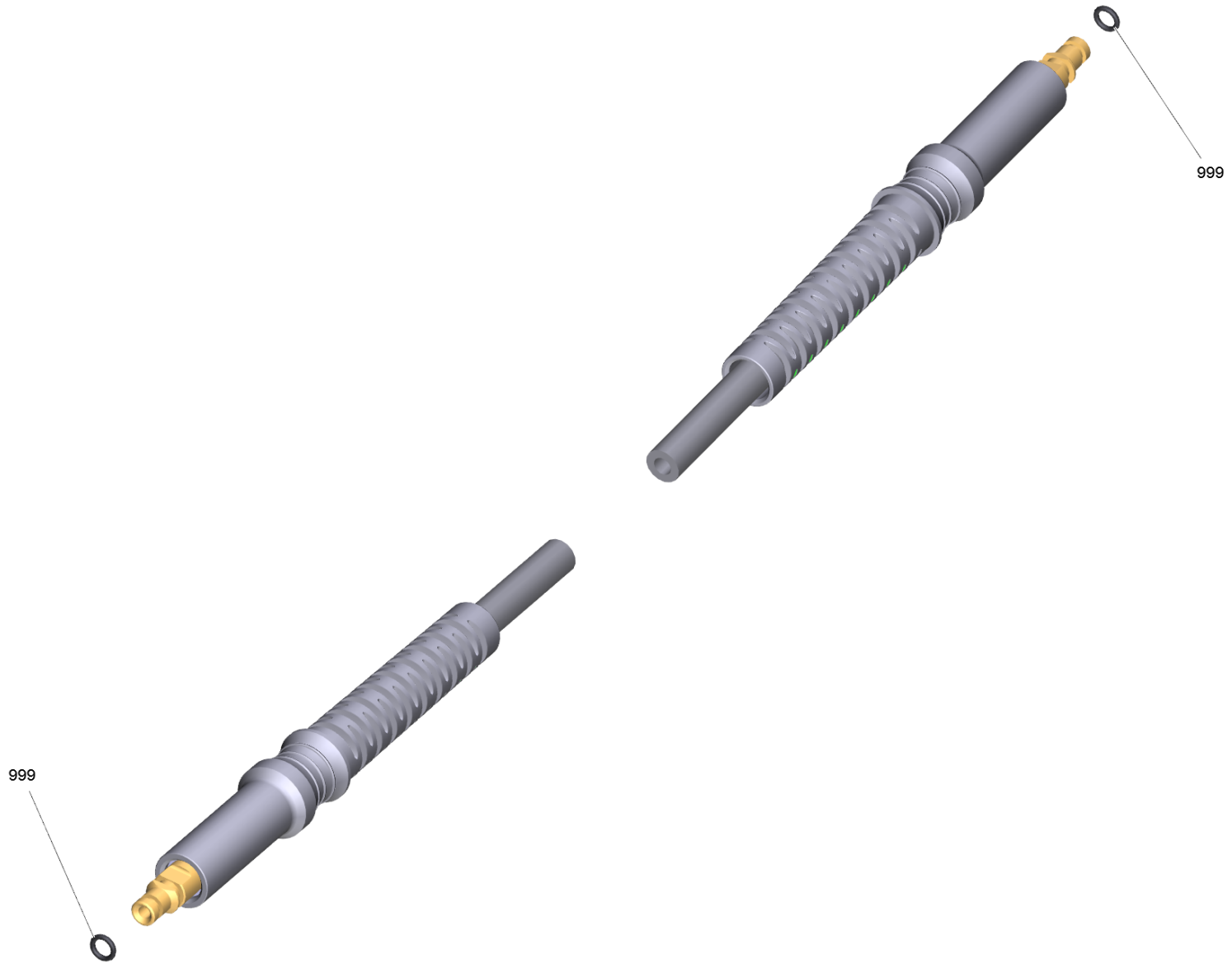
---

<b>POS</b>	<b>Article no.</b>	<b>Description</b>	<b>Quantity</b>	<b>Unit</b>
201	5.973-847.0	Spare parts list K4 Full Control *GB	1.000	ST



## 201 Spare parts list K4 Full Control \*GB (5.973-847.0)

POS	Article no.	Description	Quantity	Unit	Foot note text
9	2.641-721.0	H 9 Q high pressure hose Quick Connect	1.000	ST	
10	2.885-478.0	Spare part set G 145 Q Full Control	1.000	ST	
11	4.760-024.0	VP 145 FC Vario Power Jet 026	1.000	ST	
12	4.764-068.0	Dirt blaster 0285	1.000	ST	
13	2.642-725.0	VP 145 Vario Power Jet (packaged)	1.000	ST	
14	2.642-728.0	DB 145 rotor nozzle packaged	1.000	ST	
109		Pump set complete K4 FC *GB	1.000	ST	
110	9.048-123.0	2K KNOB black	1.000	ST	
111	9.002-436.0	Spare parts set housing rear	1.000	ST	
112	9.038-456.0	Chassis support FC	2.000	ST	
114	9.002-443.0	Front housing FC neutral packed	1.000	ST	
115	9.002-448.0	Telescopic handle ALU bar FC kpl	1.000	ST	SET OF 2 PIECES
118	9.039-336.0	Clamp	1.000	ST	
120	9.002-437.0	Set Back Foot FC	1.000	ST	
122	9.002-446.0	Spare part Bumper FC packed	1.000	ST	
123	9.002-423.0	Docking station complete FC	1.000	ST	
125	9.086-221.0	Screw ATF 4.1x22	12.000	ST	
127	9.002-447.0	Spare part Handle FC packed	1.000	ST	
128	9.086-230.0	Screw M4x16 ISO 7045 8.8 Zn/N	2.000	ST	
129	7.303-026.0	Screw 4x16 -A2-70 (In6Rd)	4.000	ST	
130	5.317-896.0	Bolt stand foot	2.000	ST	
131	9.002-438.0	Wheel in pairs FC 1K D160	1.000	ST	
132	9.002-434.0	Spare parts set holder accessories	1.000	ST	
136	9.002-435.0	Accessory net	1.000	ST	
137	9.002-445.0	Top Panel FC spare part packed	1.000	ST	
138	6.465-031.0	Connection 3/4	1.000	ST	
139	6.388-216.0	Hose DN 5	1.000	M	
999	9.038-445.0	Black cover FC 1K wheel D160	2.000	ST	



9 H 9 Q high pressure hose Quick Connect (2.641-721.0)

---

<b>POS</b>	<b>Article no.</b>	<b>Description</b>	<b>Quantity</b>	<b>Unit</b>
999	2.640-729.0	O-Ring seal set	1.000	ST

10 Spare part set G 145 Q Full Control (2.885-478.0)

---

POS	Description	Quantity	Unit
1	G 145 FC	1.000	ST

---



1 G 145 FC

---

<b>POS</b>	<b>Article no.</b>	<b>Description</b>	<b>Quantity</b>	<b>Unit</b>
1	2.885-470.0	Spare part set cover battery	1.000	ST
2	5.332-464.0	Pressure spring	1.000	ST



11 VP 145 FC Vario Power Jet 026 (4.760-024.0)

---

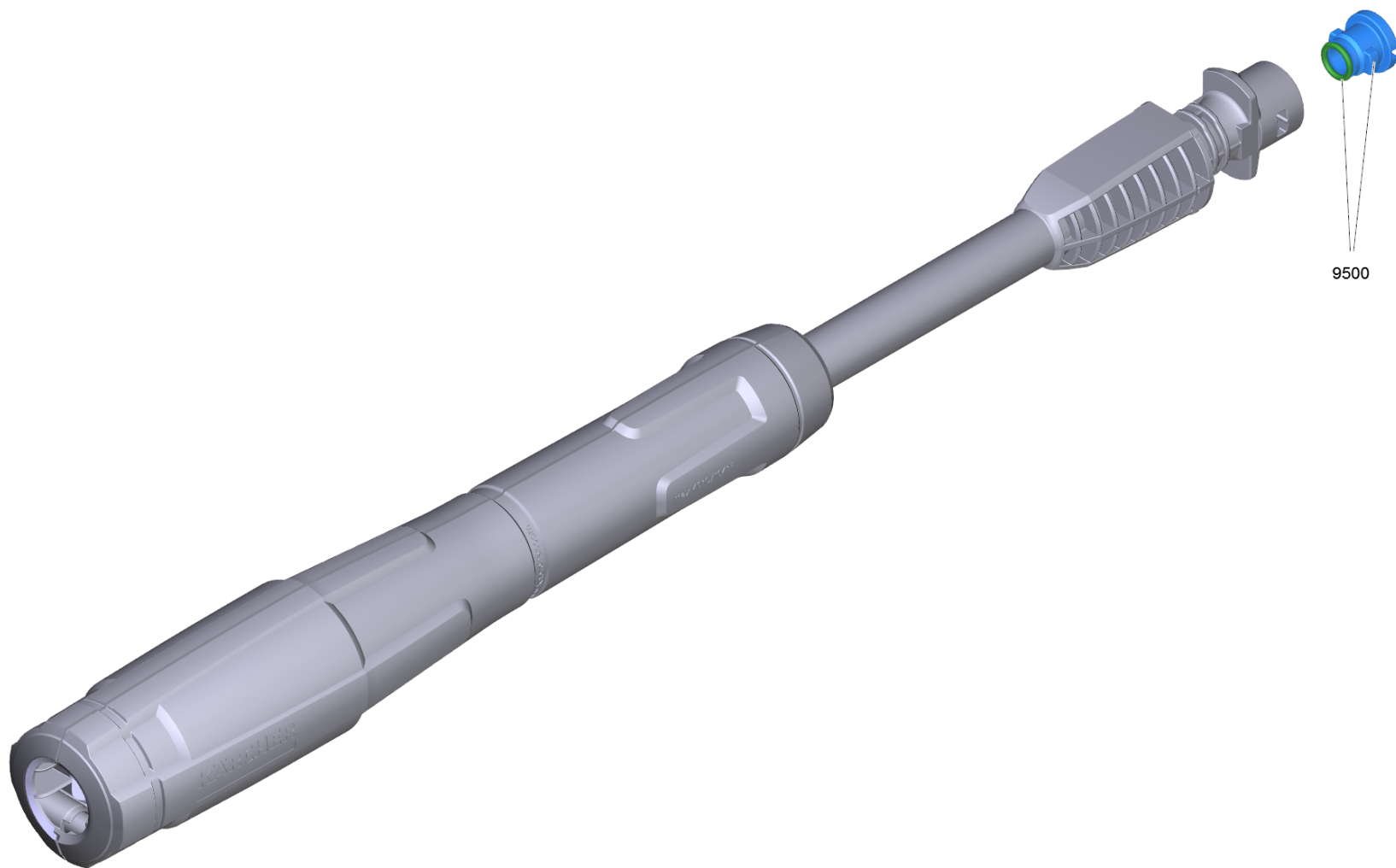
<b>POS</b>	<b>Article no.</b>	<b>Description</b>	<b>Quantity</b>	<b>Unit</b>
999	2.640-729.0	O-Ring seal set	1.000	ST



12 Dirt blaster 0285 (4.764-068.0)

---

<b>POS</b>	<b>Article no.</b>	<b>Description</b>	<b>Quantity</b>	<b>Unit</b>
999	2.640-729.0	O-Ring seal set	1.000	ST



13 VP 145 Vario Power Jet (packaged) (2.642-725.0)

---

<b>POS</b>	<b>Article no.</b>	<b>Description</b>	<b>Quantity</b>	<b>Unit</b>
9500	2.640-729.0	O-Ring seal set	1.000	ST

---

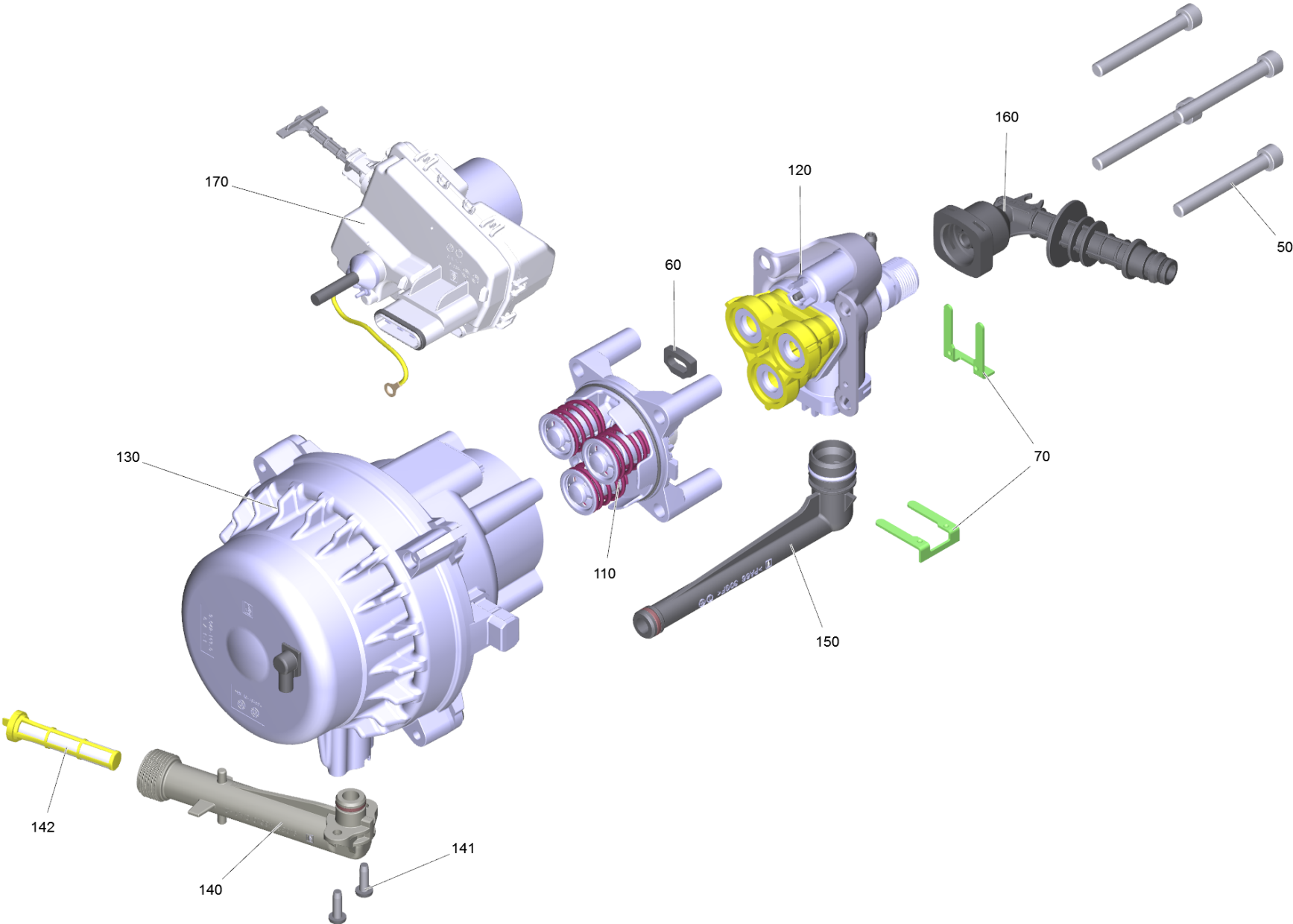




14 DB 145 rotor nozzle packaged (2.642-728.0)

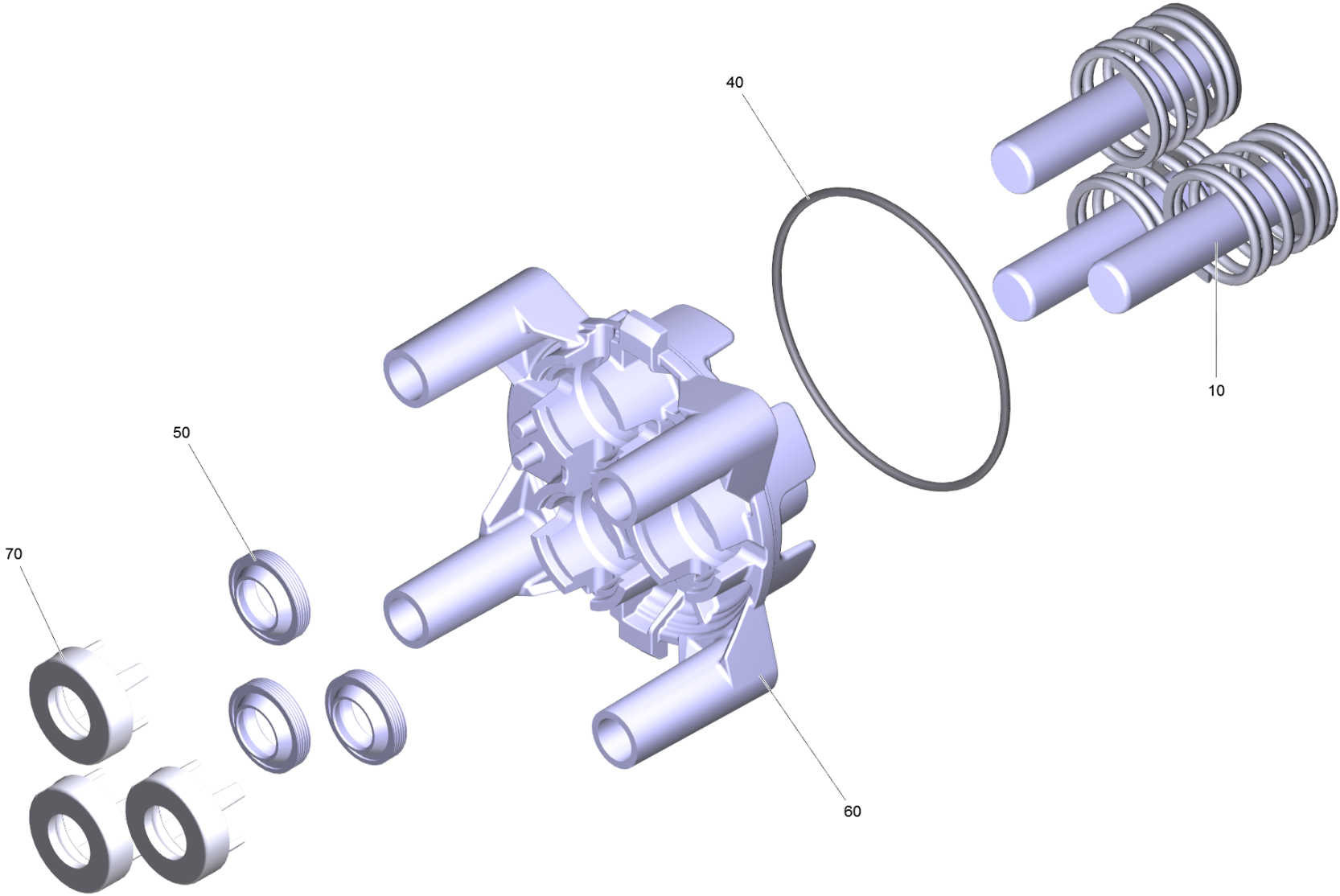
---

<b>POS</b>	<b>Article no.</b>	<b>Description</b>	<b>Quantity</b>	<b>Unit</b>
9500	2.640-729.0	O-Ring seal set	1.000	ST



109 Pump set complete K4 FC \*GB

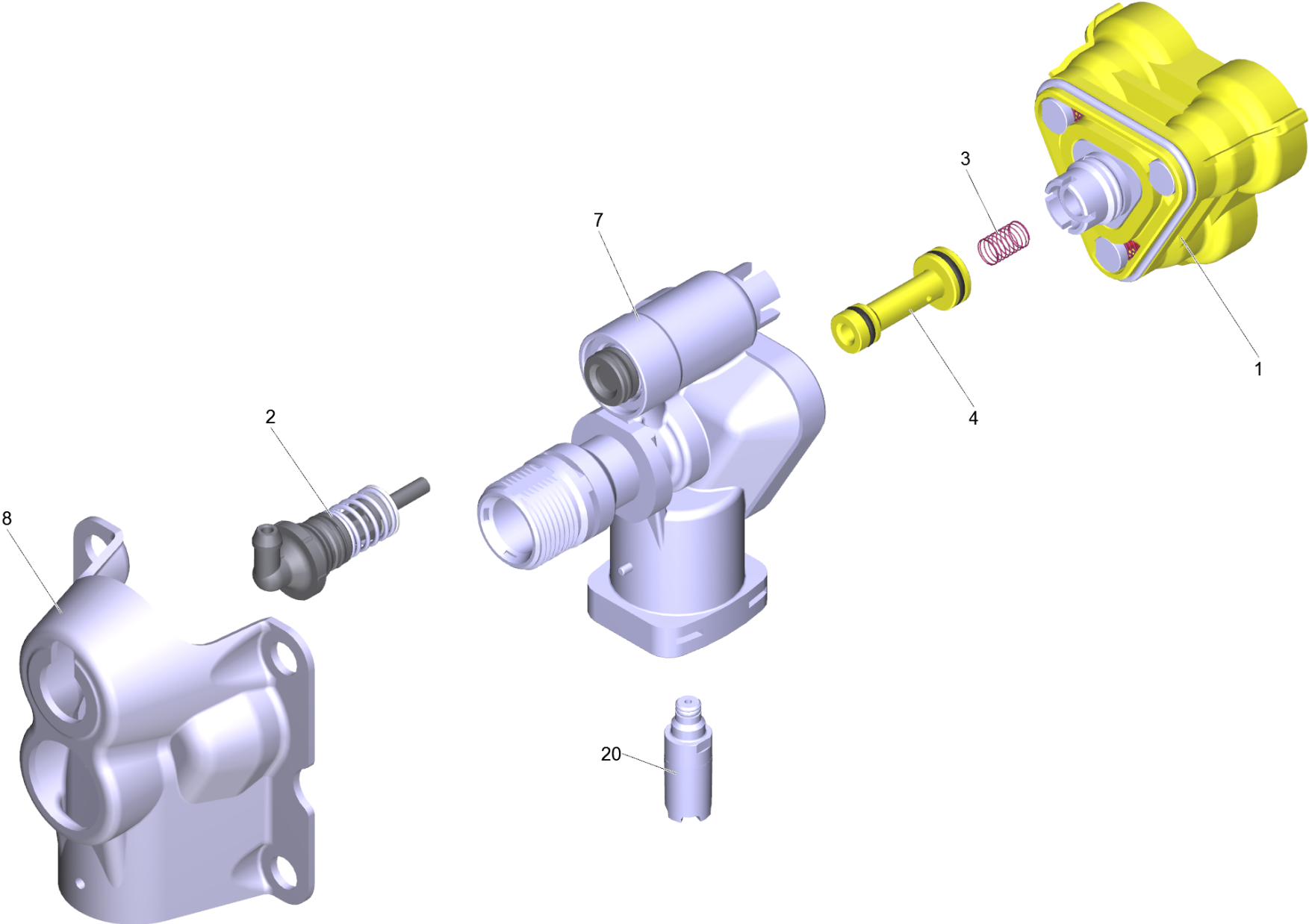
POS	Article no.	Description	Quantity	Unit
50	9.086-200.0	Screw M 8x55 Class 8.8	4.000	ST
60	9.048-071.0	Spacer - Seal	1.000	ST
70	9.039-148.0	Metal fork	2.000	ST
110	9.013-340.0	Thrust guidance complete FC K4	1.000	ST
120		Pump WCM plastic (HR) new	1.000	ST
130	9.002-454.0	Motor FC K4 GB WCM 3/3.5 (RIC)	1.000	ST
140	9.013-345.0	Suction connection complete FC	1.000	ST
141	7.303-076.0	Sheet metal screw ST4,8X13 -St-R2R (In6	2.000	ST
142	5.731-021.0	Fine filter K4/K5	1.000	ST
150	9.013-347.0	High-pressure outlet complete K4 FC	1.000	ST
160	9.013-355.0	High-pressure outlet inside complete K4	1.000	ST
170	9.002-450.0	Spare parts set electric box	1.000	ST
180	6.964-092.0	Viscous oil 50ml	1.000	ST



## 110 Thrust guidance complete FC K4 (9.013-340.0)

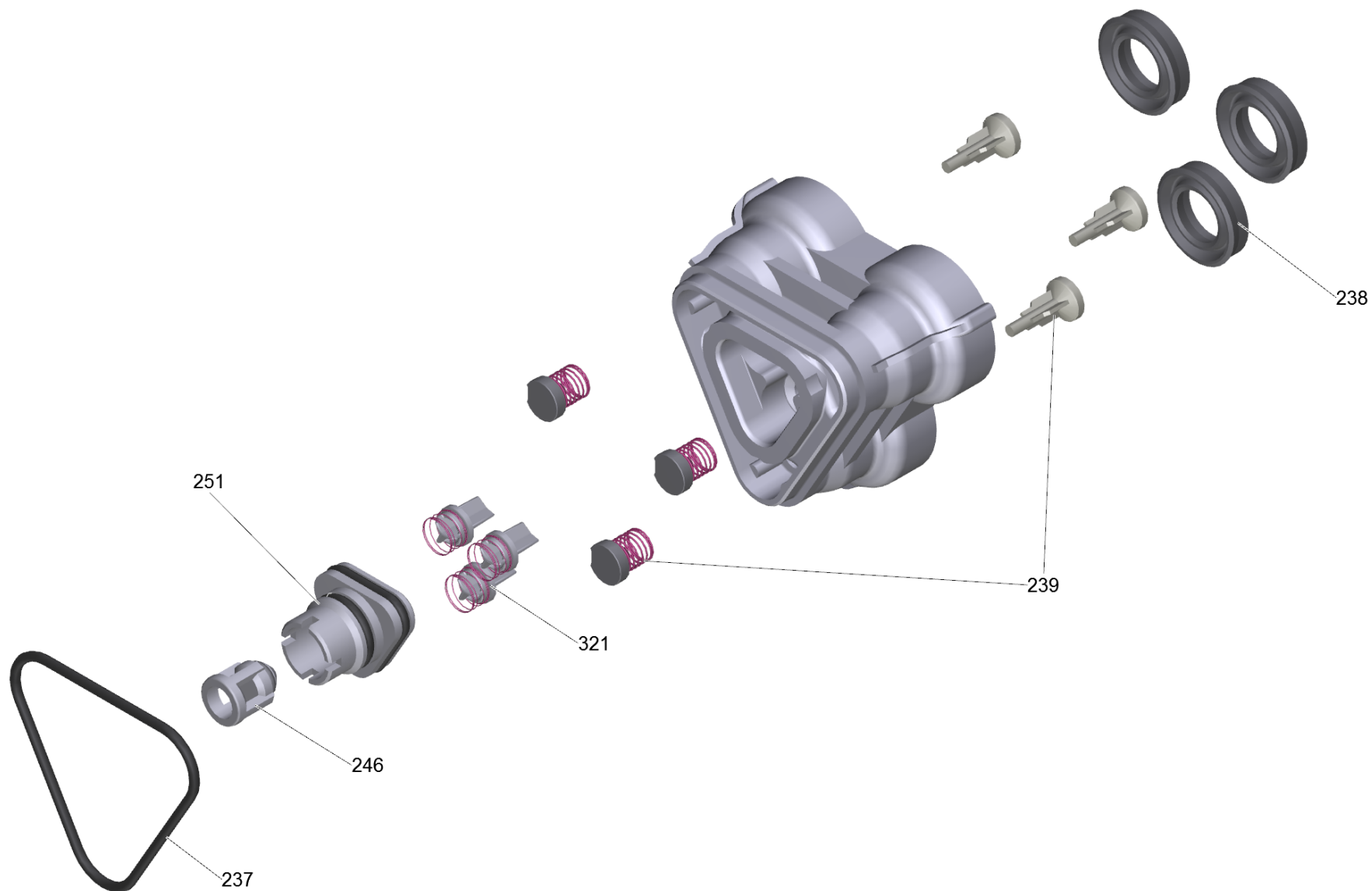
---

<b>POS</b>	<b>Article no.</b>	<b>Description</b>	<b>Quantity</b>	<b>Unit</b>
10	9.001-927.0	Piston complete	1.000	ST
40	9.080-425.0	O-Ring seal 60 x 2 NBR 70	1.000	ST
50	9.078-015.0	Grooved ring	3.000	ST
60	9.042-149.0	Thrust guidance	1.000	ST
70	9.038-428.0	Supportring 6,7 mm	3.000	ST



120 Pump WCM plastic (HR) new

POS	Article no.	Description	Quantity	Unit
1	9.002-552.0	Head end WCM c/guarnizioni Tuico	1.000	ST
2	9.002-028.0	pressure piston HR (spare)	1.000	ST
3	9.047-026.0	Spring	1.000	ST
4	9.002-017.0	Venturi nozzle D.1,45	1.000	ST
7	9.002-029.0	manifold HR + pressure piston	1.000	ST
8	9.039-308.0	Cover K130	1.000	ST
20	4.580-801.3	Safety valve complete brown (SV5/R5)	1.000	ST

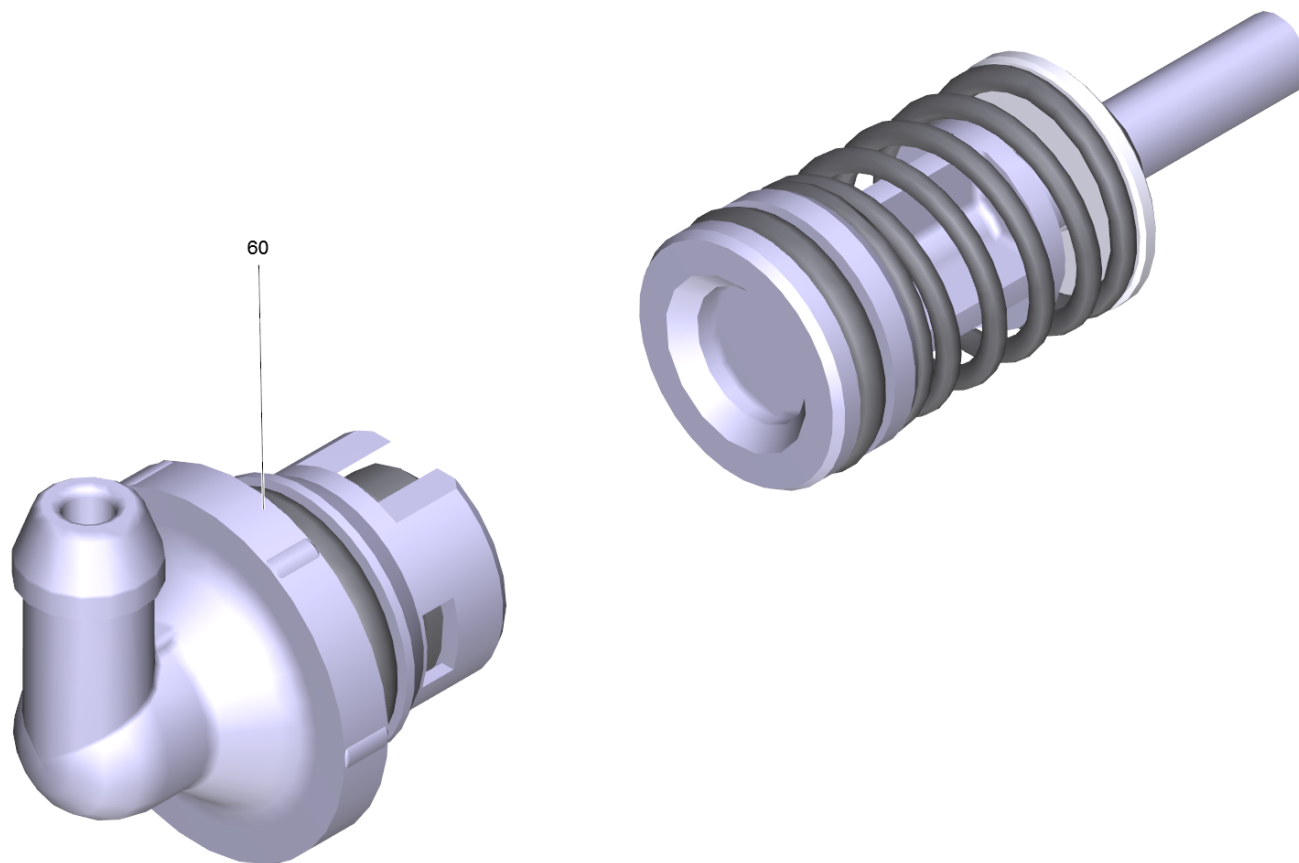




1 Head end WCM c/guarnizioni Tuico (9.002-552.0)

---

<b>POS</b>	<b>Article no.</b>	<b>Description</b>	<b>Quantity</b>	<b>Unit</b>
237	9.081-422.0	Form seal	1.000	ST
238	6.362-875.0	Grooved ring	3.000	ST
239	9.001-110.0	Moulded part complete	1.000	ST
246	9.001-107.0	Cage complete	1.000	ST
251	9.001-106.0	Joining piece	1.000	ST
321	9.001-149.0	Spare parts set valve	1.000	ST

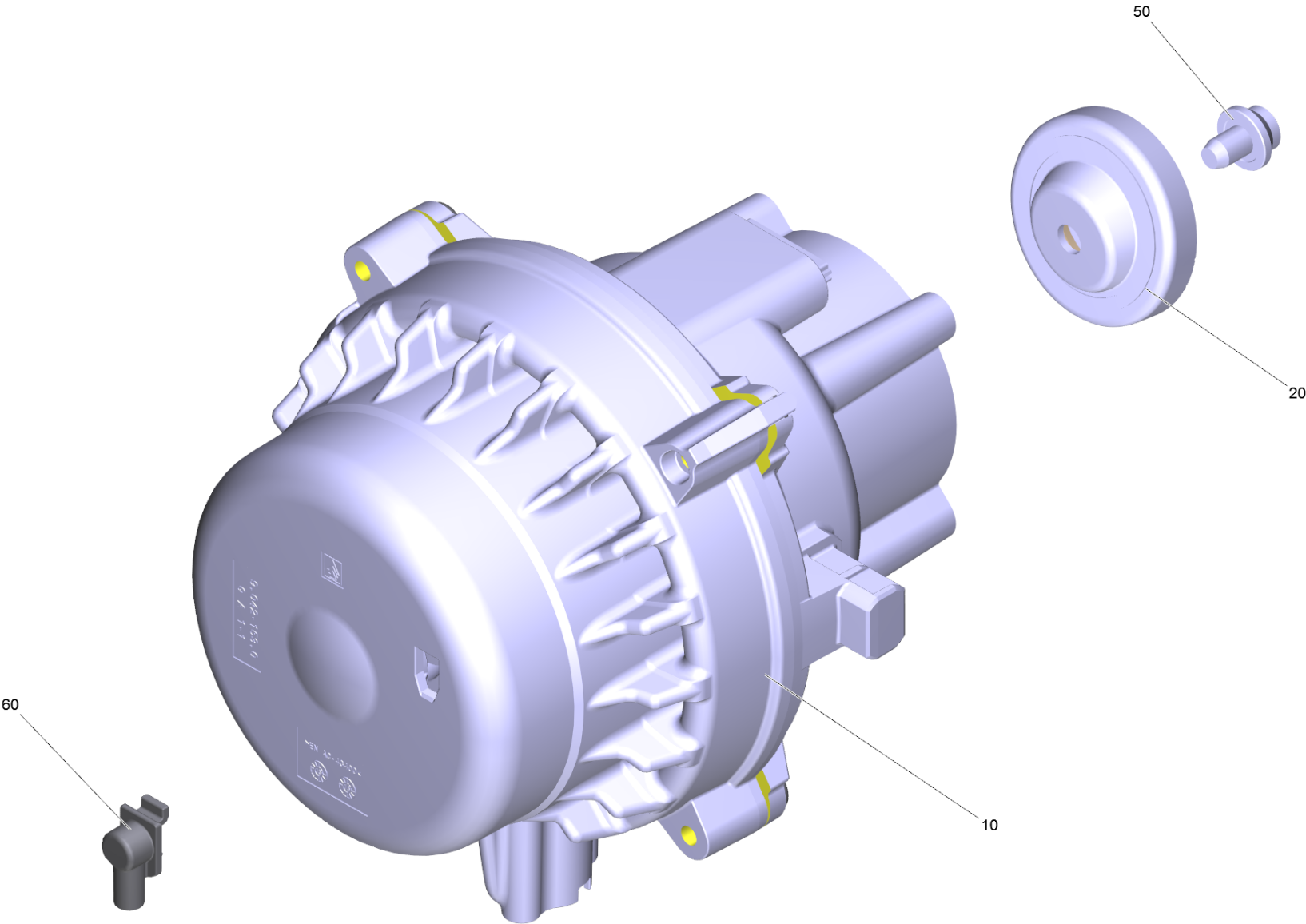


2 pressure piston HR (spare) (9.002-028.0)

---

<b>POS</b>	<b>Article no.</b>	<b>Description</b>	<b>Quantity</b>	<b>Unit</b>
60	9.002-027.0	Rad. 90° control housing HR (ric)	1.000	ST

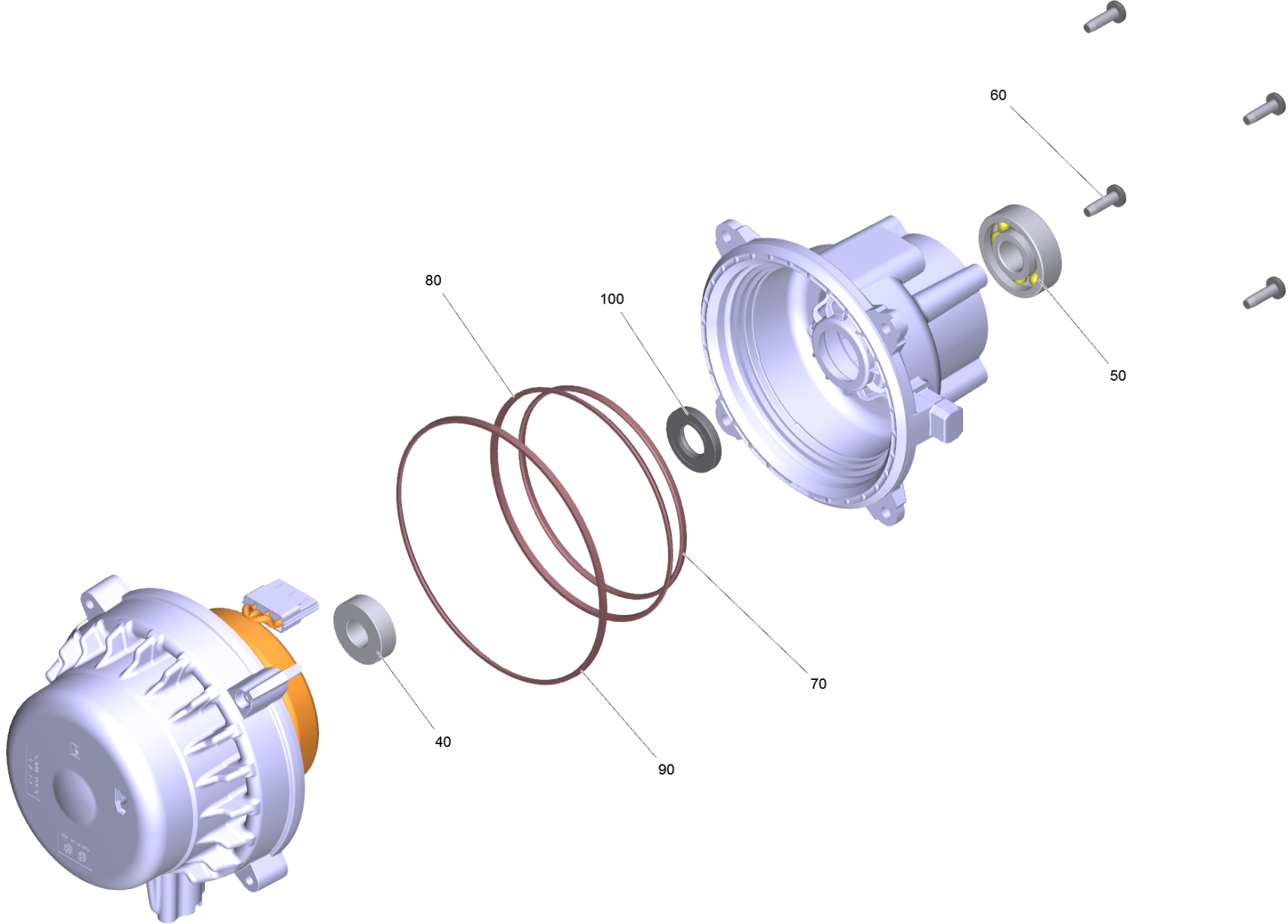
---



130 Motor FC K4 GB WCM 3/3.5 (RIC) (9.002-454.0)

---

<b>POS</b>	<b>Article no.</b>	<b>Description</b>	<b>Quantity</b>	<b>Unit</b>
10		Motor H82.5 GB Wcm 3.5	1.000	ST
20	9.001-705.0	Wobble plate 10°24'	1.000	ST
50	9.086-205.0	Screw	1.000	ST
60	9.038-381.0	Dreinage pipe WCM 3/3.5	1.000	ST



## 10 Motor H82.5 GB Wcm 3.5

---

POS	Article no.	Description	Quantity	Unit
40	7.401-128.0	Ball bearing 6202-2RS -Wälzl.St DIN 625	1.000	ST
50	7.401-010.0	Ball bearing 6303 -St DIN 625	1.000	ST
60	7.306-092.0	Screw M6x20-ST- 8.8-R3R (IN6RD)	4.000	ST
70	9.080-503.0	O-ring d.113,0x3.0 EPDM 70	1.000	ST
80	9.080-504.0	O-Ring seal 124x3 EPDM 70	1.000	ST
90	9.080-505.0	O-Ring seal 142.2x3 EPDM 70	1.000	ST
100	9.078-021.0	Grooved ring 17x35x5	1.000	ST

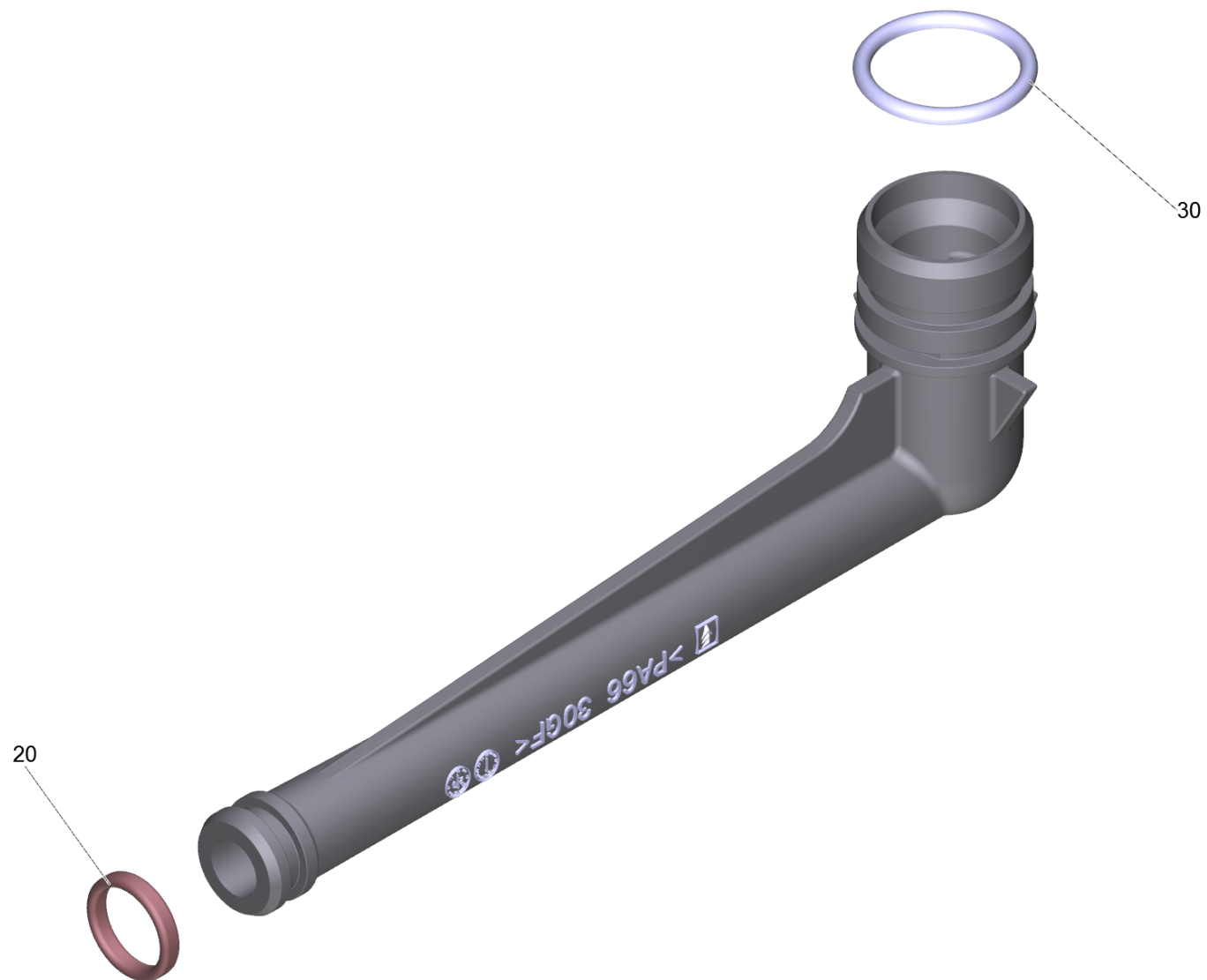




140 Suction connection complete FC (9.013-345.0)

---

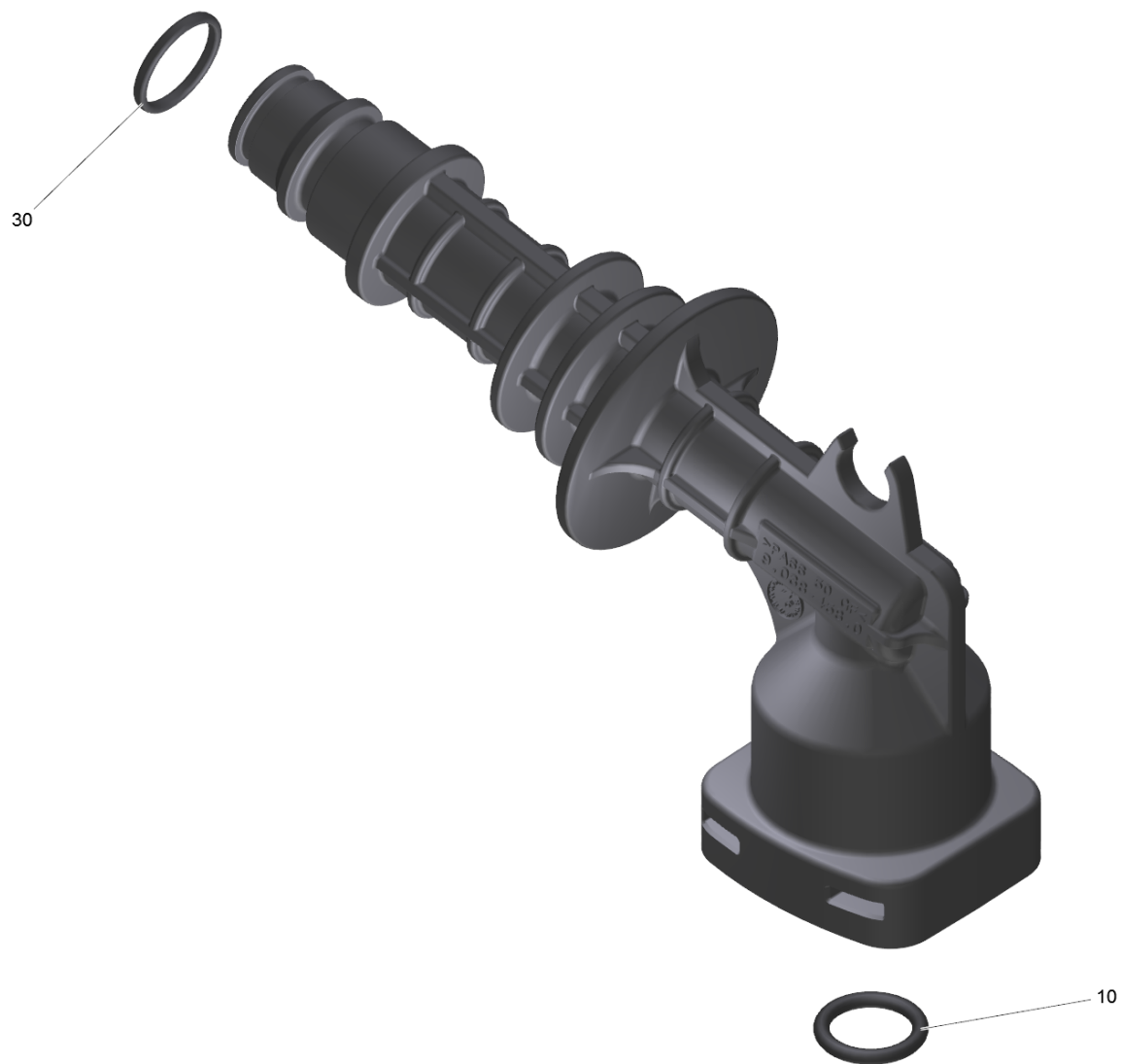
POS	Article no.	Description	Quantity	Unit
20	9.080-513.0	OR 12x2.1 EPDM 70 perox	1.000	ST



150 High-pressure outlet complete K4 FC (9.013-347.0)

---

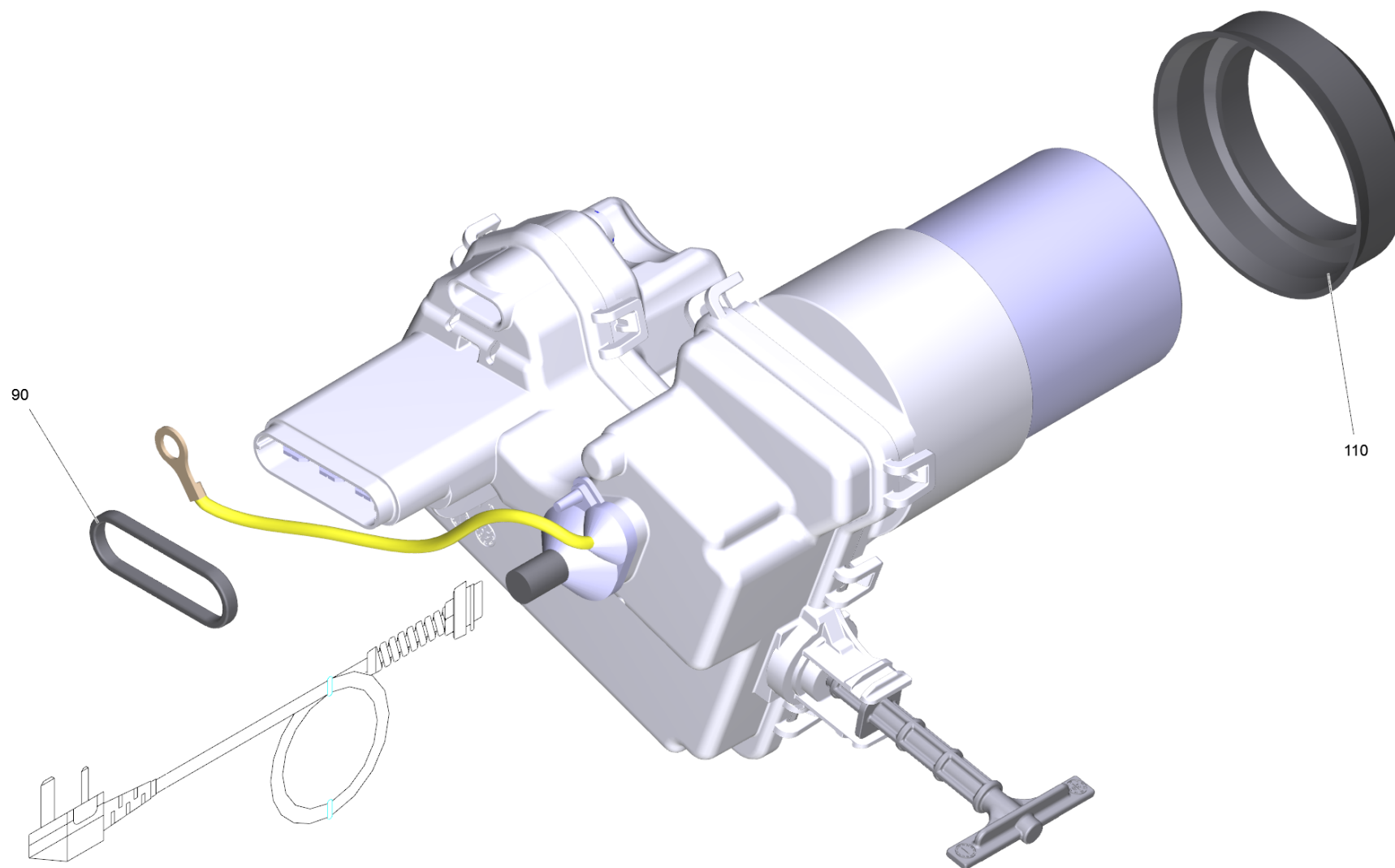
<b>POS</b>	<b>Article no.</b>	<b>Description</b>	<b>Quantity</b>	<b>Unit</b>
20	9.080-513.0	OR 12x2.1 EPDM 70 perox	1.000	ST
30	9.080-001.0	O-Ring 16x2,7 EPDM 50 Shore	1.000	ST



160 High-pressure outlet inside complete K4 (9.013-355.0)

---

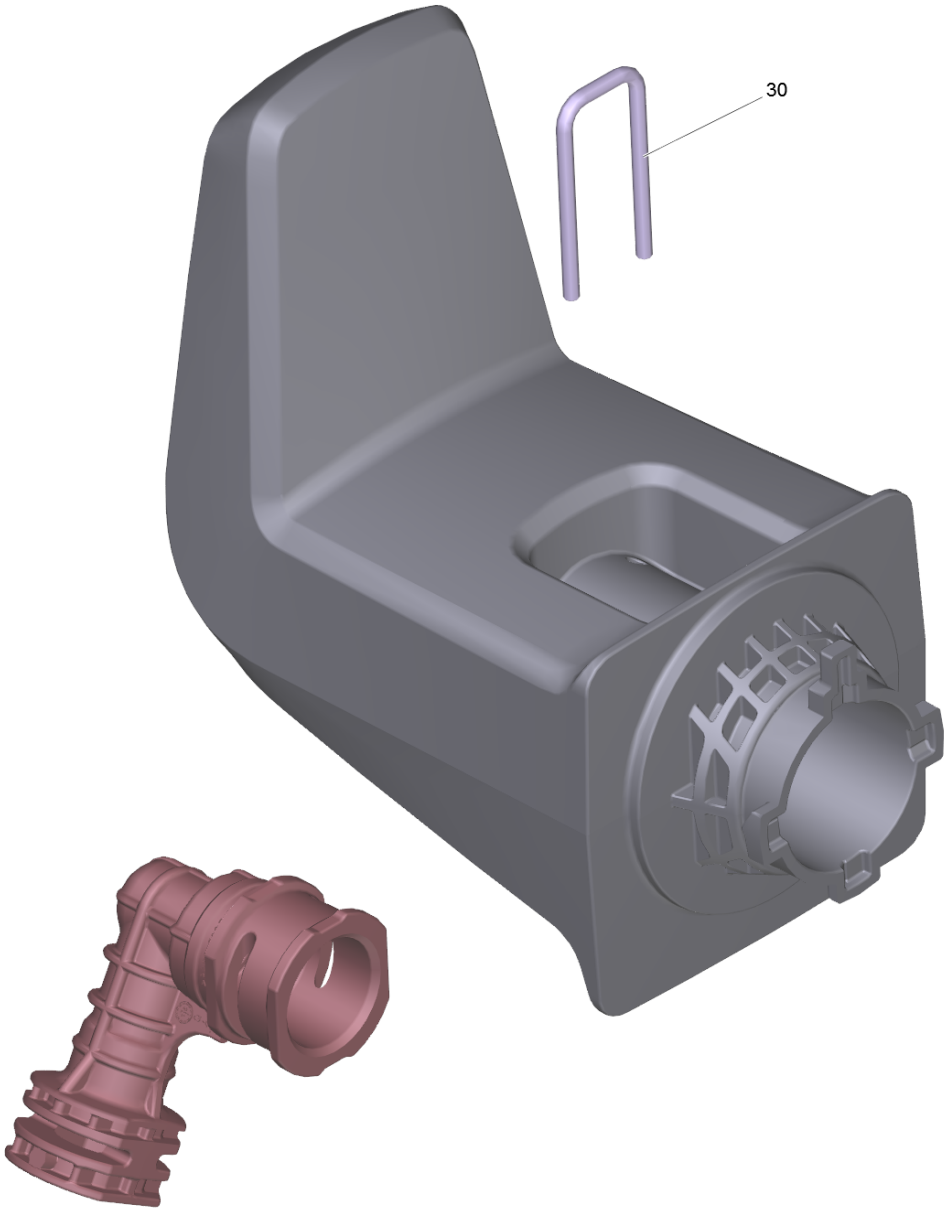
<b>POS</b>	<b>Article no.</b>	<b>Description</b>	<b>Quantity</b>	<b>Unit</b>
10	6.362-151.0	O-Ring d. 10 x 2 NBR 70	1.000	ST
30	9.080-422.0	O-RING 11,5X1,5 NBR 70	1.000	ST



170 Spare parts set electric box (9.002-450.0)

---

<b>POS</b>	<b>Article no.</b>	<b>Description</b>	<b>Quantity</b>	<b>Unit</b>
90	9.080-494.0	OR 20x2 EPDM70ShA PTFE	1.000	ST
110	9.080-465.0	Joint ring capacitor d.45, 70 Shore	1.000	ST

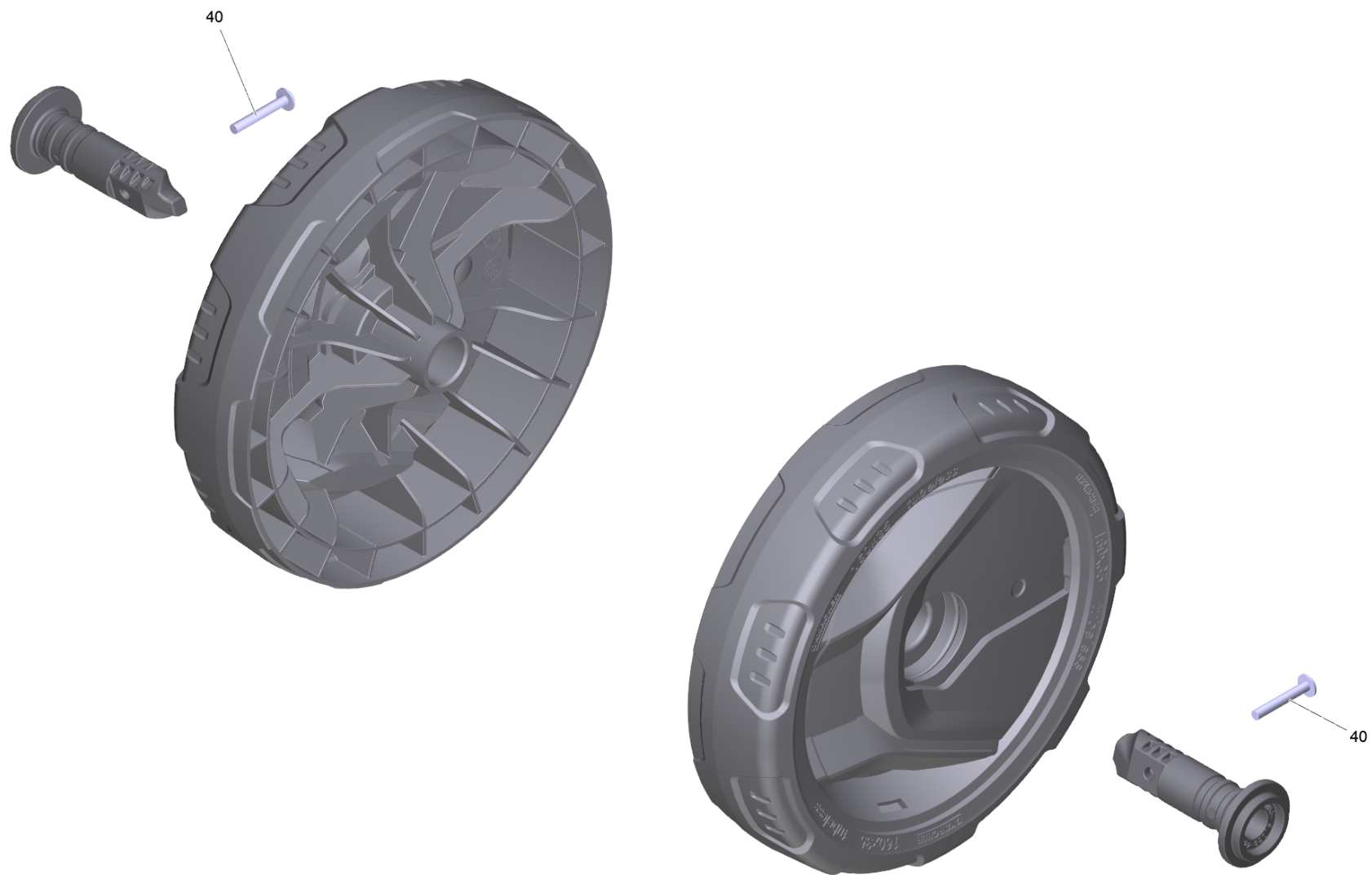




120 Set Back Foot FC (9.002-437.0)

---

<b>POS</b>	<b>Article no.</b>	<b>Description</b>	<b>Quantity</b>	<b>Unit</b>
30	9.039-520.0	Clamp HP outer fitting FC	1.000	ST



131 Wheel in pairs FC 1K D160 (9.002-438.0)

---

<b>POS</b>	<b>Article no.</b>	<b>Description</b>	<b>Quantity</b>	<b>Unit</b>
40	9.086-221.0	Screw ATF 4.1x22	1.000	ST

---