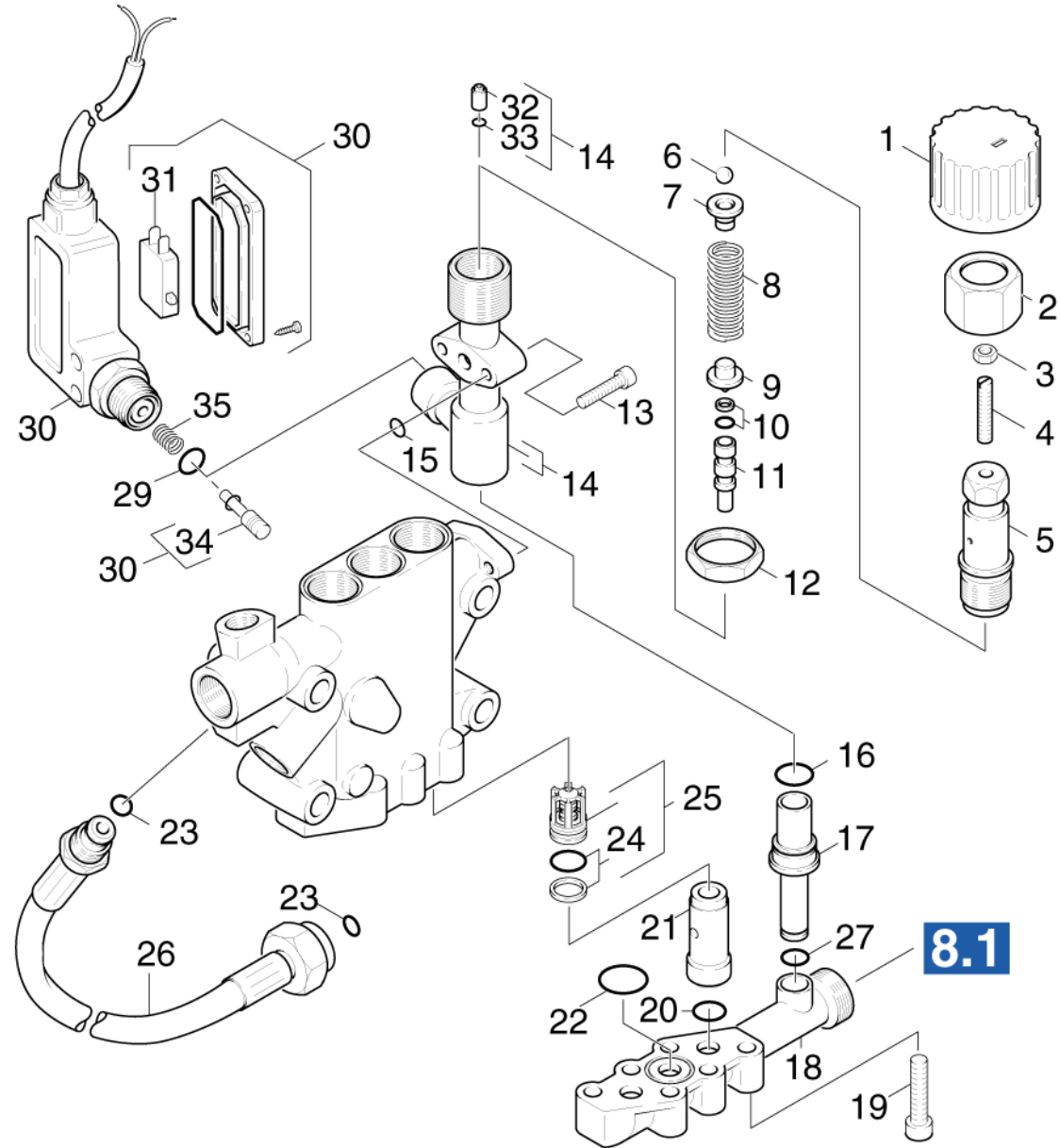


23 Suction side

Overview technical documents/Professional/High pressure cleaner hotwater/Electric motor/HDS 1055 (1.027-681.0)/Spare parts list HDS 1055 *USA/20 Pump set/23 Suction side



23 Suction side

Overview technical documents/Professional/High pressure cleaner hotwater/Electric motor/HDS 1055 (1.027-681.0)/Spare parts list HDS 1055 *USA/20 Pump set/23 Suction side

Rez.daļas/nodil.pakļ.daļas	Poz.	Materiāla Nr.	Nosaukums	Daudzums	Pārdoš. vienība	no sēr. Nr..	līdz sēr. Nr.
	1	5.321-406.0	Handhold	1.000	ST	0000000000	0000000000
	2	5.311-164.0	Washer	1.000	ST	0000000000	0000000000
	3	7.311-003.0	Hexagon nut M6 -8-A2E ISO 4032	1.000	ST	0000000000	0000000000
	4	7.307-418.0	Tapa ar vītņi M6x35 -St-45H-A2E ISO 4026	1.000	ST	0000000000	0000000000
	5	5.304-061.0	Hexagonal head screw	1.000	ST	0000000000	0000000000
	6	7.401-918.0	Sphere 6 G300 -1.4301 DIN 5401	1.000	ST	0000000000	0000000000
	7	5.582-103.0	Valve disc	1.000	ST	0000000000	0000000000
X-X	8	5.332-285.0	Spirālveida atspere	1.000	ST	0000000000	0000000000
	9	5.584-077.0	Valve pin	1.000	ST	0000000000	0000000000
	10	6.363-115.0	Gredzenblīve, pilns komplekts 1ST.-R.	1.000	ST	0000000000	0000000000
X-X	11	5.553-249.0	Virzulis	1.000	ST	0000000000	0000000000
	12	5.311-165.0	Hexagon nut M30x1,5	1.000	ST	0000000000	0000000000
	13	7.306-105.0	Skrūve M6x30 -8.8-R3R (In6Rd)	1.000	ST	0000000000	0000000000
	14	4.060-224.0	Housing complete	1.000	ST	0000000000	0000000000
	15	6.362-482.0	Gredzenblīve 10 x 1,5-NBR 70	1.000	ST	0000000000	0000000000
	16	6.362-534.0	Gredzenblīve 18,0 X 2,0-NBR 70	1.000	ST	0000000000	0000000000
	17	5.402-499.0	CONNECTION PIECE	1.000	ST	0000000000	0000000000
	18	5.587-141.0	Vārsta korpuss	1.000	ST	0000000000	0000000000
	19	7.306-044.0	Cylinder head screw M8x35	6.000	ST	0000000000	0000000000
X-X	20	6.362-153.0	Gredzenblīve 15,3 X 2,4-NBR 70	2.000	ST	0000000000	0000000000
X	21	5.110-518.0	Uzmava	2.000	ST	0000000000	0000000000
X-X	22	6.362-547.0	Gredzenblīve 20,0x1,5-NBR 70	1.000	ST	0000000000	0000000000
	23	6.362-392.0	o-ring seal	2.000	ST	0000000000	0000000000
X-X	24	4.363-693.0	O-Ring seal kpl. -nur fuer Ersatz-	3.000	ST	0000000000	0000000000
X-X	25	2.884-906.0	Valve	2.000	ST	0000000000	0000000000

23 Suction side

Overview technical documents/Professional/High pressure cleaner hotwater/Electric motor/HDS 1055 (1.027-681.0)/Spare parts list HDS 1055 *USA/20 Pump set/23 Suction side

Rez.daļas/nodil.pakļ.daļas	Poz.	Materiāla Nr.	Nosaukums	Daudzums	Pārdoš. vienība	no sēr. Nr..	līdz sēr. Nr.
X-X	26	4.440-790.0	Hose SDS	1.000	ST	0000000000	0000000000
	27	6.362-797.0	Gredzenblīve 9,0 X 2,0	1.000	ST	0000000000	0000000000
	29	2.880-154.0	O-Ring kit	1.000	ST	0000000000	0000000000
X-X	30	6.630-050.0	Pogslēdzis	1.000	ST	0000000000	0000000000
	31	6.631-792.0	Slēdzis	1.000	ST	0000000000	0000000000
X-X	32	5.581-143.0	Vārsta ligzda	1.000	ST	0000000000	0000000000
	33	6.362-703.0	Gredzenblīve 6,0x1,5-NBR 70	1.000	ST	0000000000	0000000000
X-X	34	6.630-038.0	Virzuļu komplekts	1.000	ST	0000000000	0000000000
	35	6.330-202.0	Piespiedējatspere 8 bāri	1.000	ST	0000000000	0000000000
X-X	100	2.883-322.0	pump set	1.000	ST	0000000000	0000000000