

Spare parts list

(1.636-462.0) K 5.55 Jubilee Plus T400 *EU

Table of contents

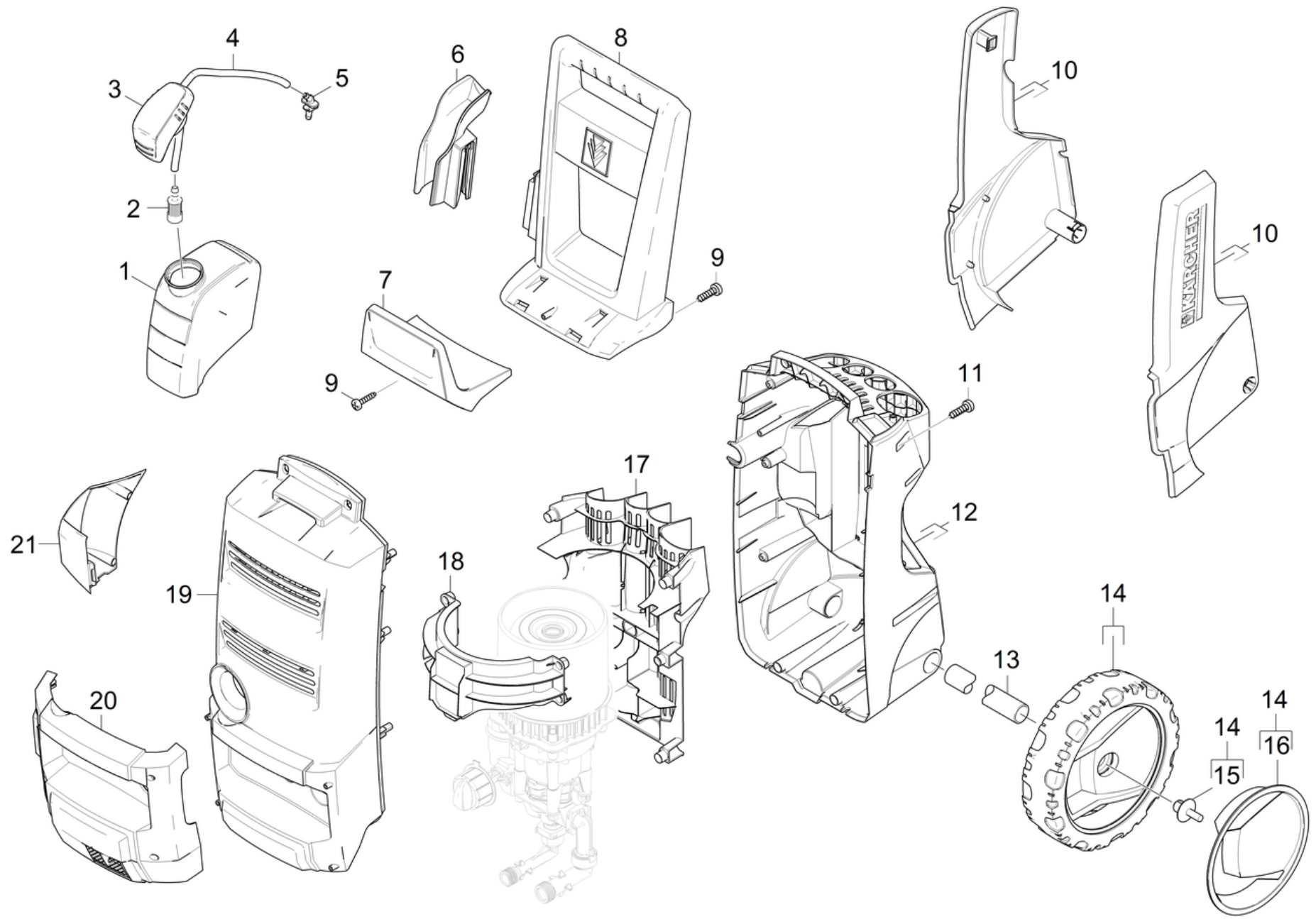
K 5.55 Jubilee Plus T400 *EU (1.636-462.0)	3
201 Spare parts list K5.55 jubilee*EU (5.970-990.0)	4
10 Housing	5
14 Wheel set replacement 250 Hummer (4.515-288.0)	7
20 Pump set	9
21 Housing	10
8 High-pressure outlet complete K5.91M (4.025-894.0)	12
13 Spare part set control head (9.001-800.0)	14
70 Nozzle insert (4.769-035.0)	16
15 Pump head Alu FC ric (9.002-456.0)	18
23 Nozzle insert (4.769-035.0)	20
22 Housing	22
8 High-pressure outlet complete K5.91M (4.025-894.0)	24
13 Spare part set control head (9.001-800.0)	26
70 Nozzle insert (4.769-035.0)	28
15 Pump head Alu FC ric (9.002-456.0)	30
23 Nozzle insert (4.769-035.0)	32
23 Thrust guidance	34
30 Motor	36
40 Accessories	38
41 Hand trigger gun	39
G 180 Q Trigger gun Quick Connect (2.642-889.0)	41
2 High pressure hose 16MPa/9m 60°C, verp. (2.641-706.0)	43
42 Jet pipe	45
2 VPS K5 0287 (4.760-527.0)	47
3 Dirt blaster 031 St - CEM 14,5MPa (4.764-281.0)	49
43 Surface cleaner	51
17 Spare parts nozzles T-Racer (2.643-338.0)	53
17 Spare parts nozzles T-Racer (2.643-338.0)	56
44 Power Brush	59
45 Pipe cleaning set	61
50 Electric box	63

K 5.55 Jubilee Plus T400 *EU (1.636-462.0)

POS	Article no.	Description	Quantity	Unit
201	5.970-990.0	Spare parts list K5.55 jubilee*EU	1.000	ST
	Item text2: 14235060			

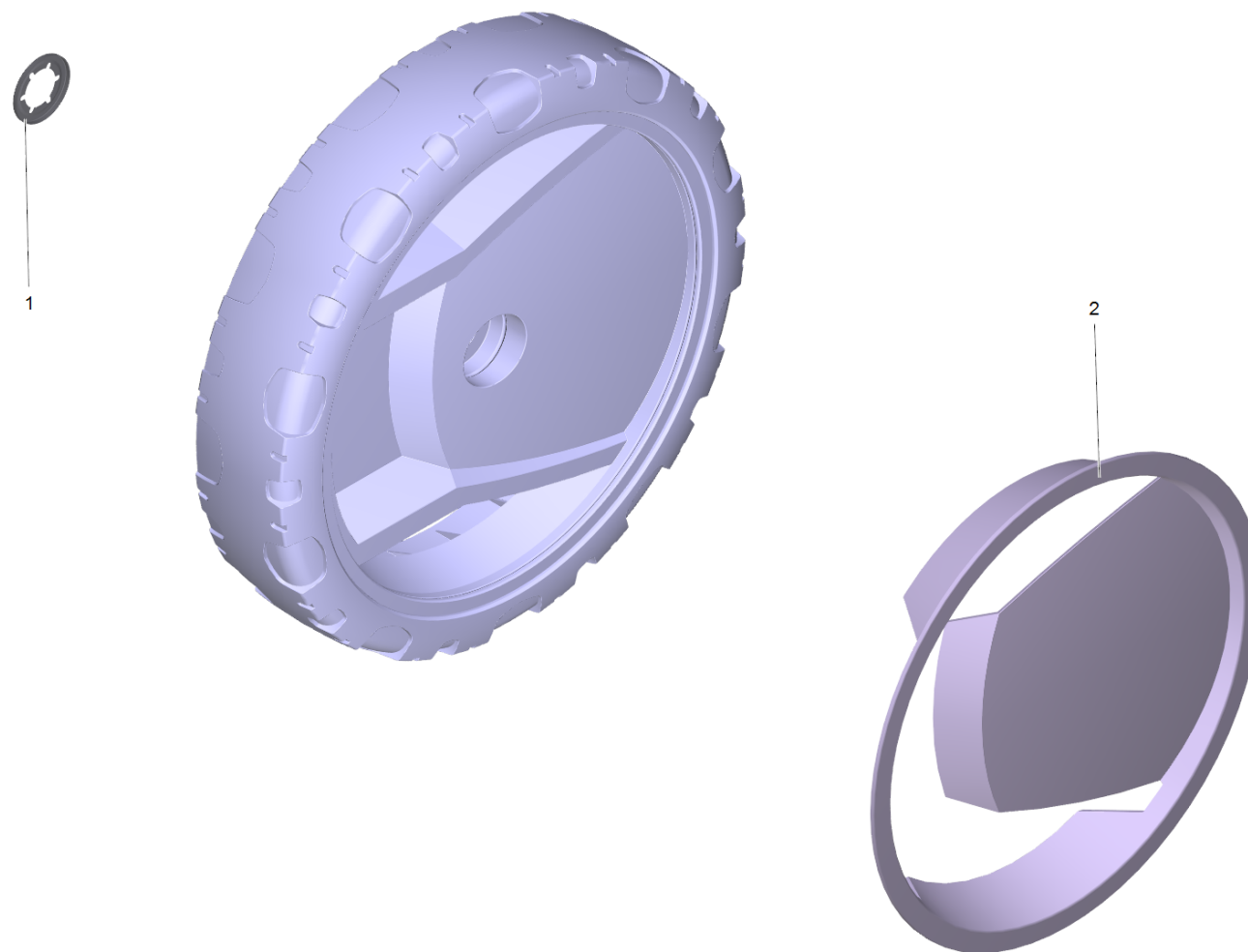
201 Spare parts list K5.55 jubilee*EU (5.970-990.0)

POS	Description	Quantity	Unit
40	Accessories	1.000	ST
50	Electric box	1.000	ST
10	Housing	1.000	ST
30	Motor	1.000	ST
20	Pump set	1.000	ST



10 Housing

POS	Article no.	Description	Quantity	Unit	Foot note text
13	9.039-259.0	Axle d16x304 Sp.1	1.000	ST	
20	9.037-297.0	Bumper complete K5.68MD	1.000	ST	
3	9.048-080.0	Cap of a tank	1.000	ST	
12	9.037-305.0	Chassis rear K3.68	1.000	ST	
10	9.001-650.0	Covering cap left / right KX.68	1.000	ST	
19	9.001-651.0	Cover Kx.68 SOLO KÄRCHER	1.000	ST	
15	5.132-178.0	Expanding rivet steel axis	2.000	ST	
2	5.731-652.0	Filter with weight	1.000	ST	
18	9.037-365.0	Flange bracket KX.68	1.000	ST	
8	9.037-312.0	Hand grip K3.68	1.000	ST	
7	9.037-293.0	Holder hose KX.68MD	1.000	ST	
21	9.037-315.0	Holder jet pipe K5.68MD	1.000	ST	
6	5.321-904.0	Holder pistol	1.000	ST	NEW VERSION
4	6.388-216.0	Hose DN 5	1.000	M	TO ORDER AS CUT GOODS
17	9.037-404.0	Moulded part KX.68	1.000	ST	
5	9.037-314.0	Nipple	1.000	ST	
16	4.515-296.0	Screen for replacement 250 Hummer	1.000	ST	SET OF 2 PIECES
9	9.086-203.0	Screw 4x22	7.000	ST	
11	9.086-173.0	Screw Hi-Lo d.4x22 Torx-d.7,5	8.000	ST	
1	9.037-292.0	Tank KX.68MD	1.000	ST	
14	4.515-288.0	Wheel set replacement 250 Hummer	1.000	ST	SET OF 2 PIECES

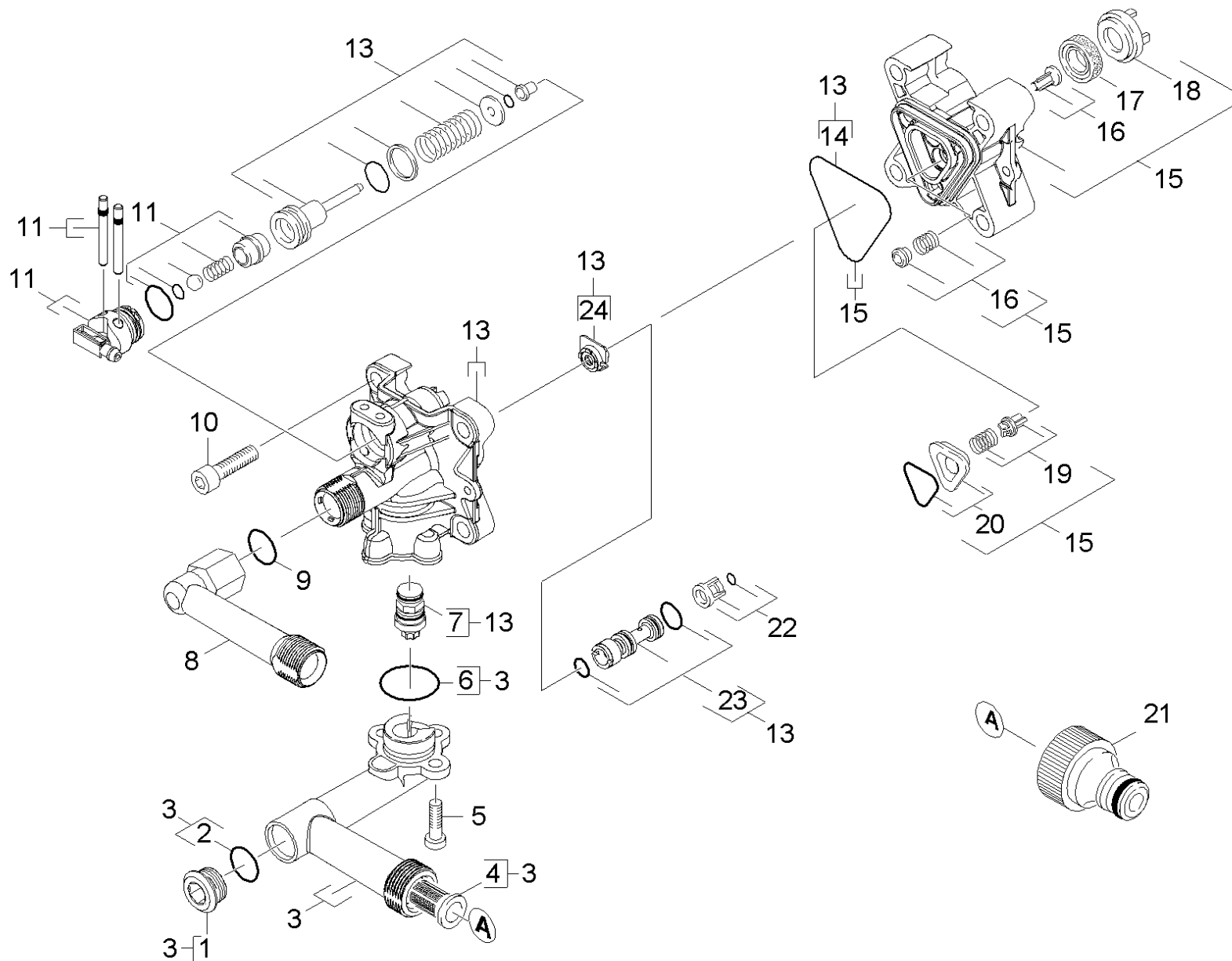


14 Wheel set replacement 250 Hummer (4.515-288.0)

POS	Article no.	Description	Quantity	Unit	Foot note text
1	6.343-168.0	Lock washer	2.000	ST	
2	4.515-296.0	Screen for replacement 250 Hummer	1.000	ST	SET OF 2 PIECES

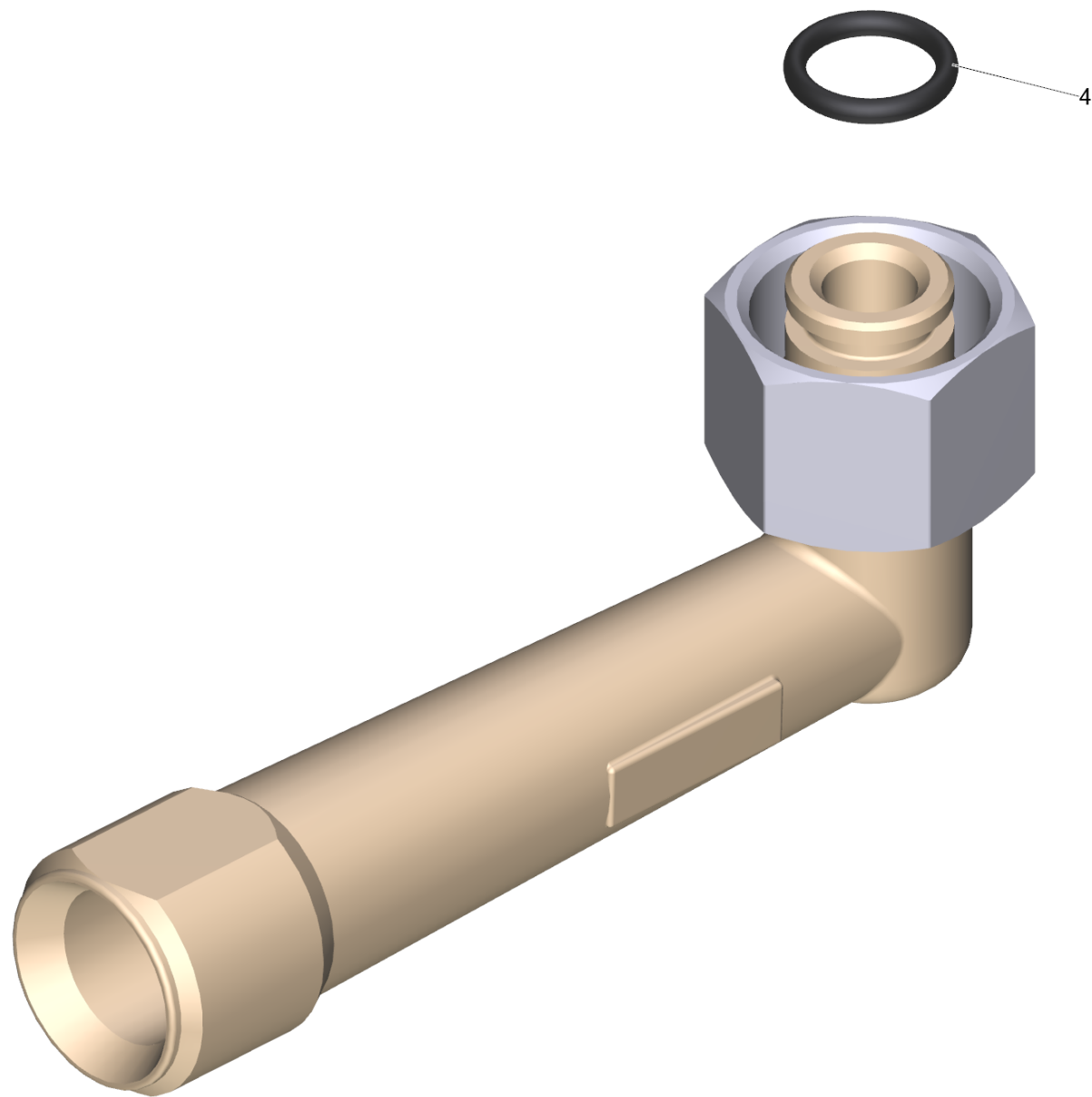
20 Pump set

POS	Description	Quantity	Unit	Remark
21	Housing	1.000	ST	1.636-460.0/-461.0/-462.0/-463.0/-467.0
22	Housing	1.000	ST	1.636-465.0/-466.0/
23	Thrust guidance	1.000	ST	



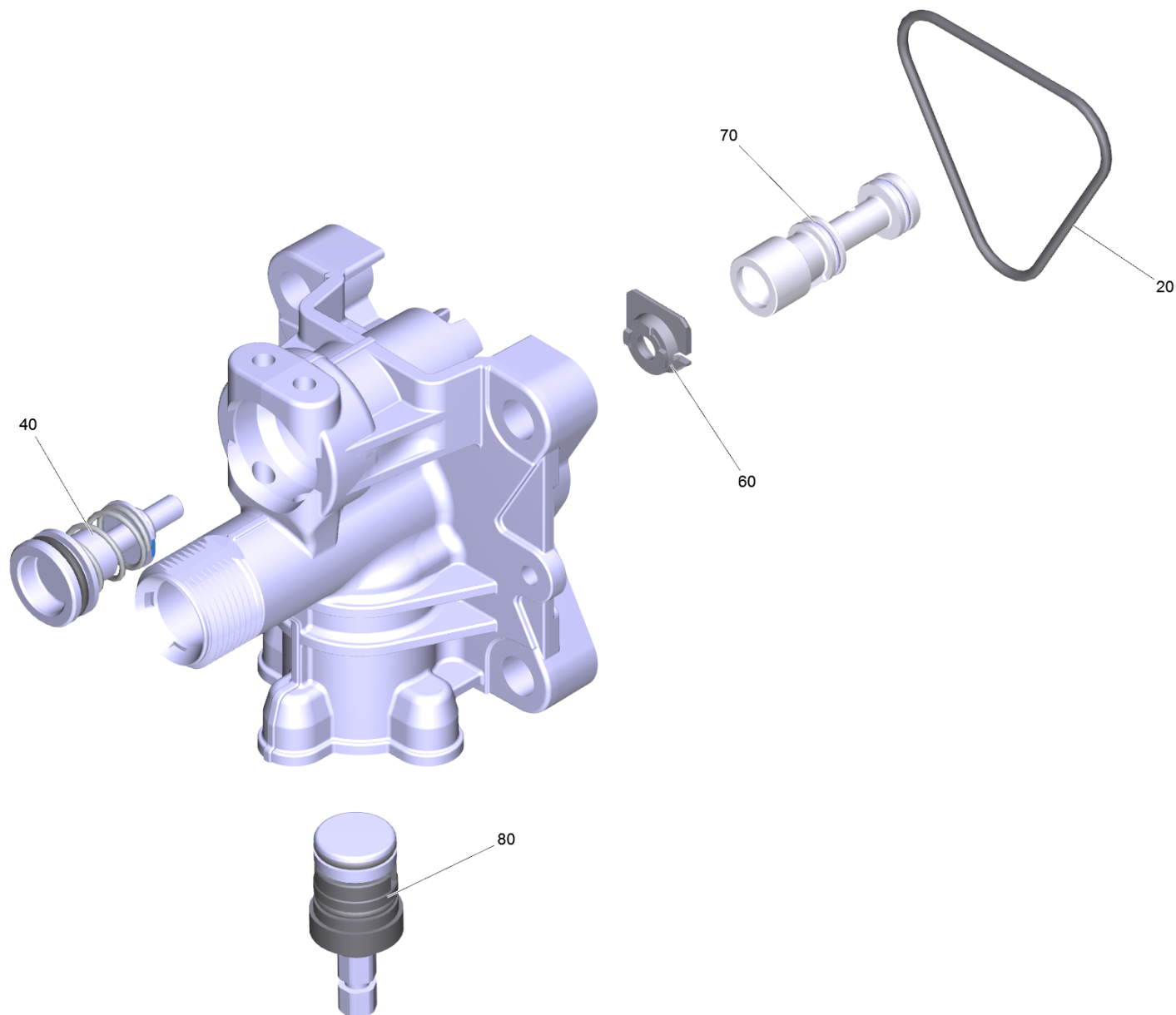
21 Housing

POS	Article no.	Description	Quantity	Unit
22	9.001-819.0	Cage complete	1.000	ST
21	6.465-031.0	Connection 3/4	1.000	ST
3	9.001-278.0	Connection complete	1.000	ST
	Item text1: 1.636-460.0 /-461.0 /-462.0 /-463.0 /			
	Item text2: -467.0 /-468.0			
10	7.306-151.0	Cylinder head screw M8x65 -8.8-A2E ISO4	4.000	ST
24	9.037-142.0	Distance holder	1.000	ST
4	5.731-598.0	Fine filter long	1.000	ST
14	9.081-424.0	Form seal	1.000	ST
17	6.362-875.0	Grooved ring	3.000	ST
8	4.025-894.0	High-pressure outlet complete K5.91M	1.000	ST
20	9.001-276.0	Joining piece	1.000	ST
16	9.001-110.0	Moulded part complete	1.000	ST
23	4.769-035.0	Nozzle insert	1.000	ST
9	6.362-151.0	O-Ring d. 10 x 2 NBR 70	1.000	ST
6	9.081-417.0	O-Ring d.20 x 2	1.000	ST
2	9.081-402.0	O-Ring seal 15x2	1.000	ST
7	9.002-164.0	plastic by pass (spare)	1.000	ST
15	9.002-456.0	Pump head Alu FC ric	1.000	ST
5	9.086-199.0	Screw M6x16	3.000	ST
1	9.036-898.0	Screw plug	1.000	ST
13	9.001-800.0	Spare part set control head	1.000	ST
11	9.001-277.0	Spare parts set chemistry	1.000	ST
18	9.037-059.0	Support ring	3.000	ST
19	9.001-275.0	Valve set	1.000	ST



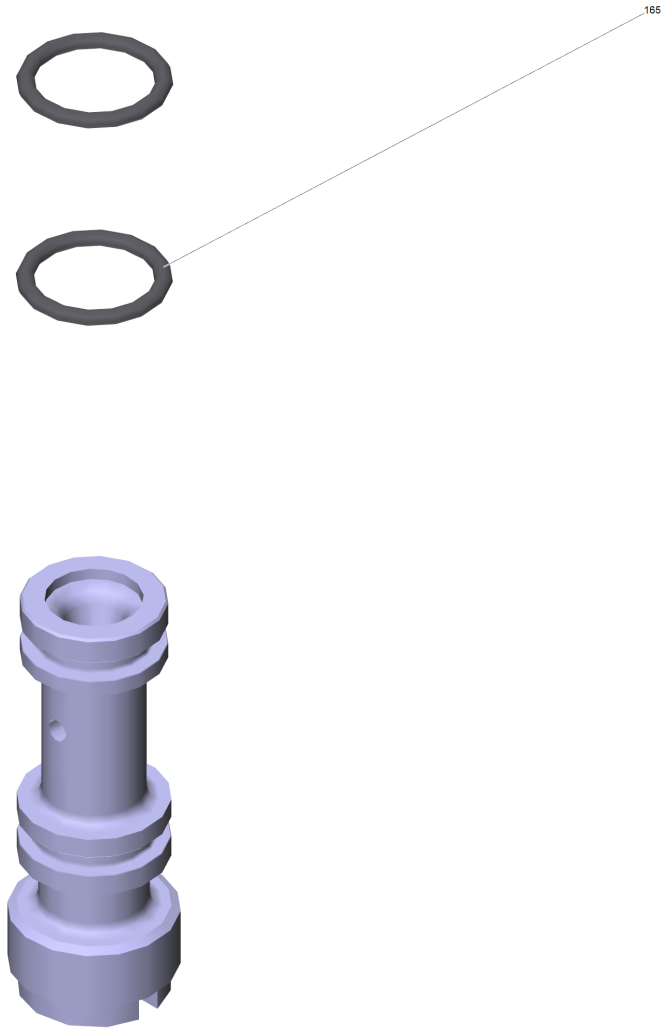
8 High-pressure outlet complete K5.91M (4.025-894.0)

POS	Article no.	Description	Quantity	Unit
4	6.362-151.0	O-Ring d. 10 x 2 NBR 70	1.000	ST



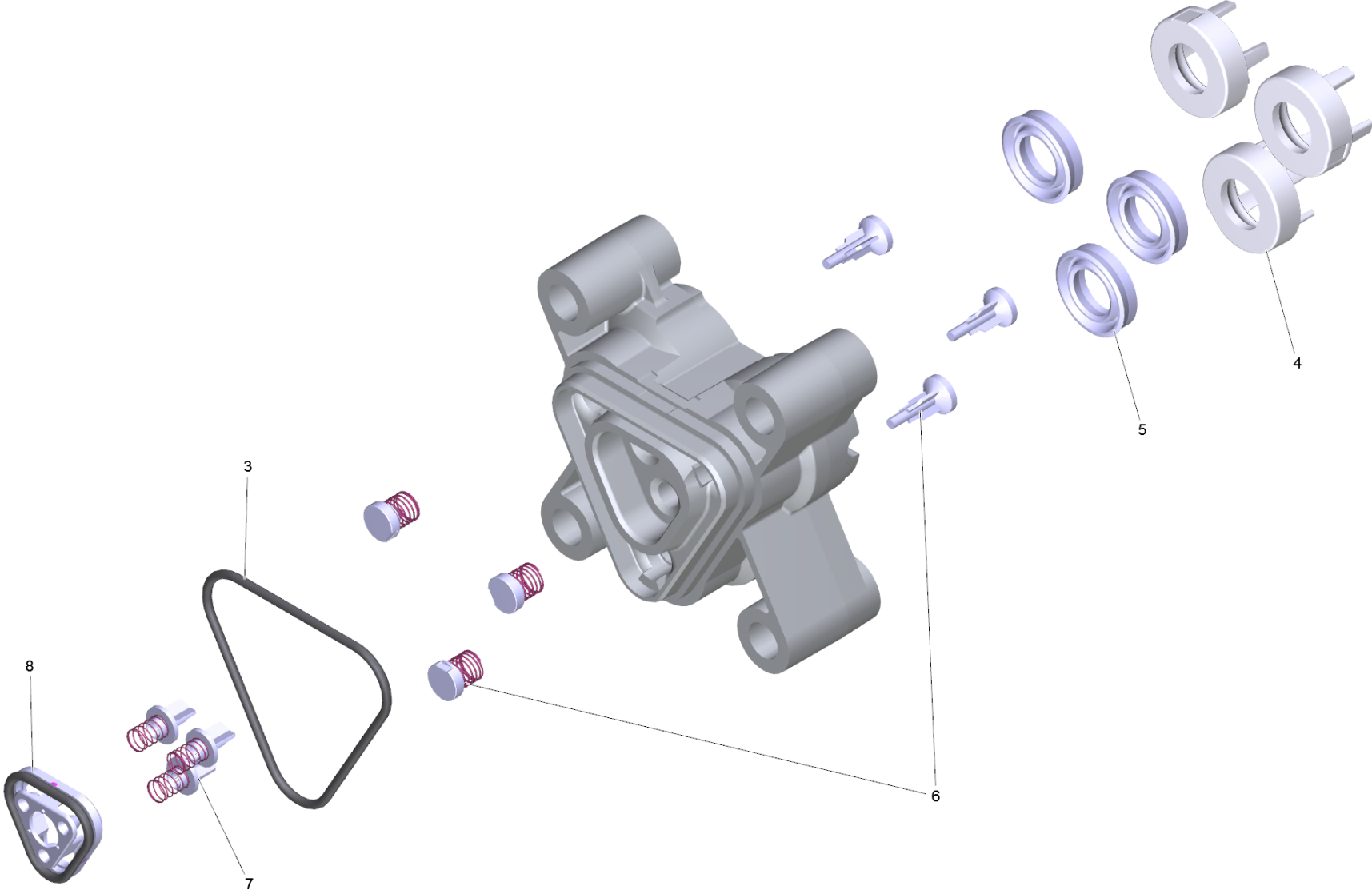
13 Spare part set control head (9.001-800.0)

POS	Article no.	Description	Quantity	Unit
40	9.001-291.0	Control piston set replacement	1.000	ST
60	9.037-142.0	Distance holder	1.000	ST
20	9.081-424.0	Form seal	1.000	ST
70	4.769-035.0	Nozzle insert	1.000	ST
80	9.002-164.0	plastic by pass (spare)	1.000	ST



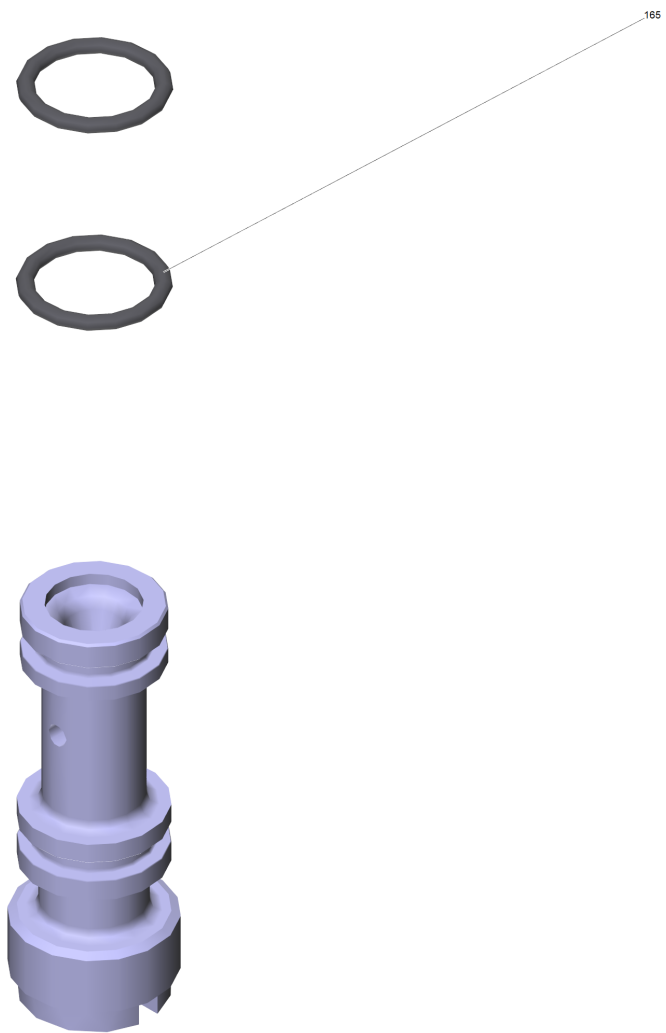
70 Nozzle insert (4.769-035.0)

POS	Article no.	Description	Quantity	Unit
165	6.362-384.0	O-Ring seal 9x1,5 - NBR 70	2.000	ST



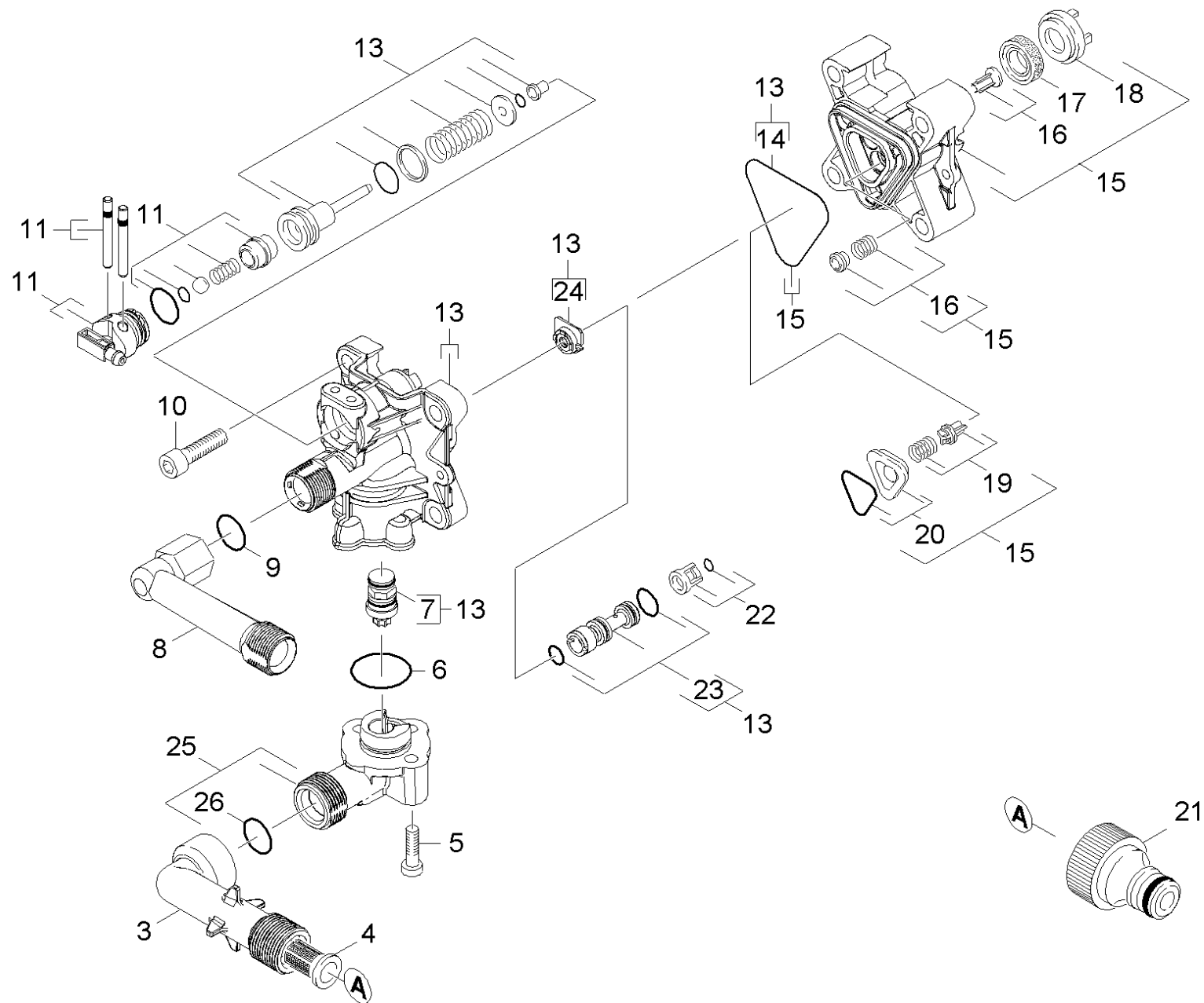
15 Pump head Alu FC ric (9.002-456.0)

POS	Article no.	Description	Quantity	Unit
3	9.081-424.0	Form seal	1.000	ST
5	6.362-875.0	Grooved ring	3.000	ST
8	9.001-276.0	Joining piece	1.000	ST
6	9.001-110.0	Moulded part complete	1.000	ST
4	9.038-428.0	Supportring 6,7 mm	3.000	ST
7	9.001-275.0	Valve set	1.000	ST



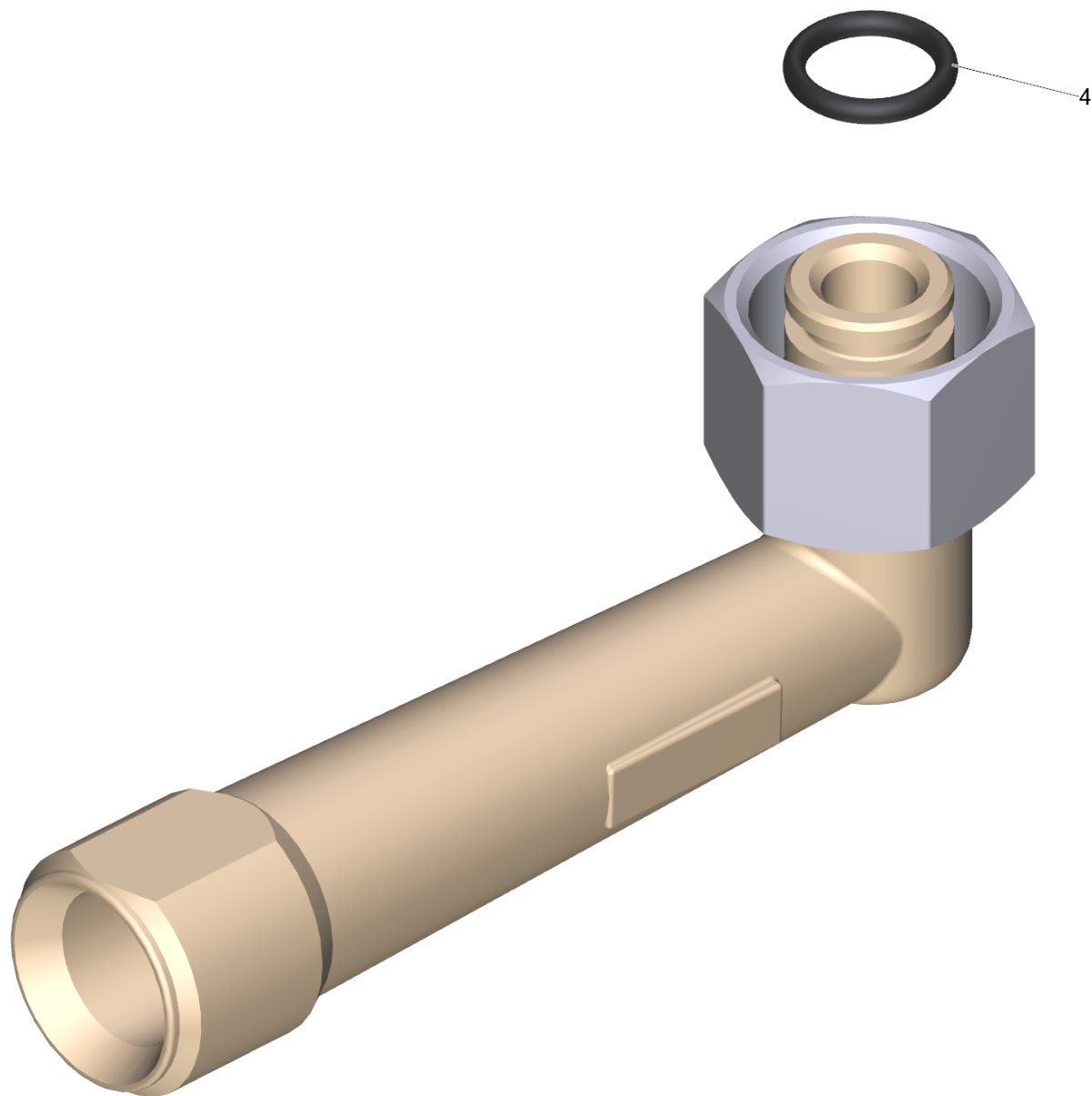
23 Nozzle insert (4.769-035.0)

POS	Article no.	Description	Quantity	Unit
165	6.362-384.0	O-Ring seal 9x1,5 - NBR 70	2.000	ST



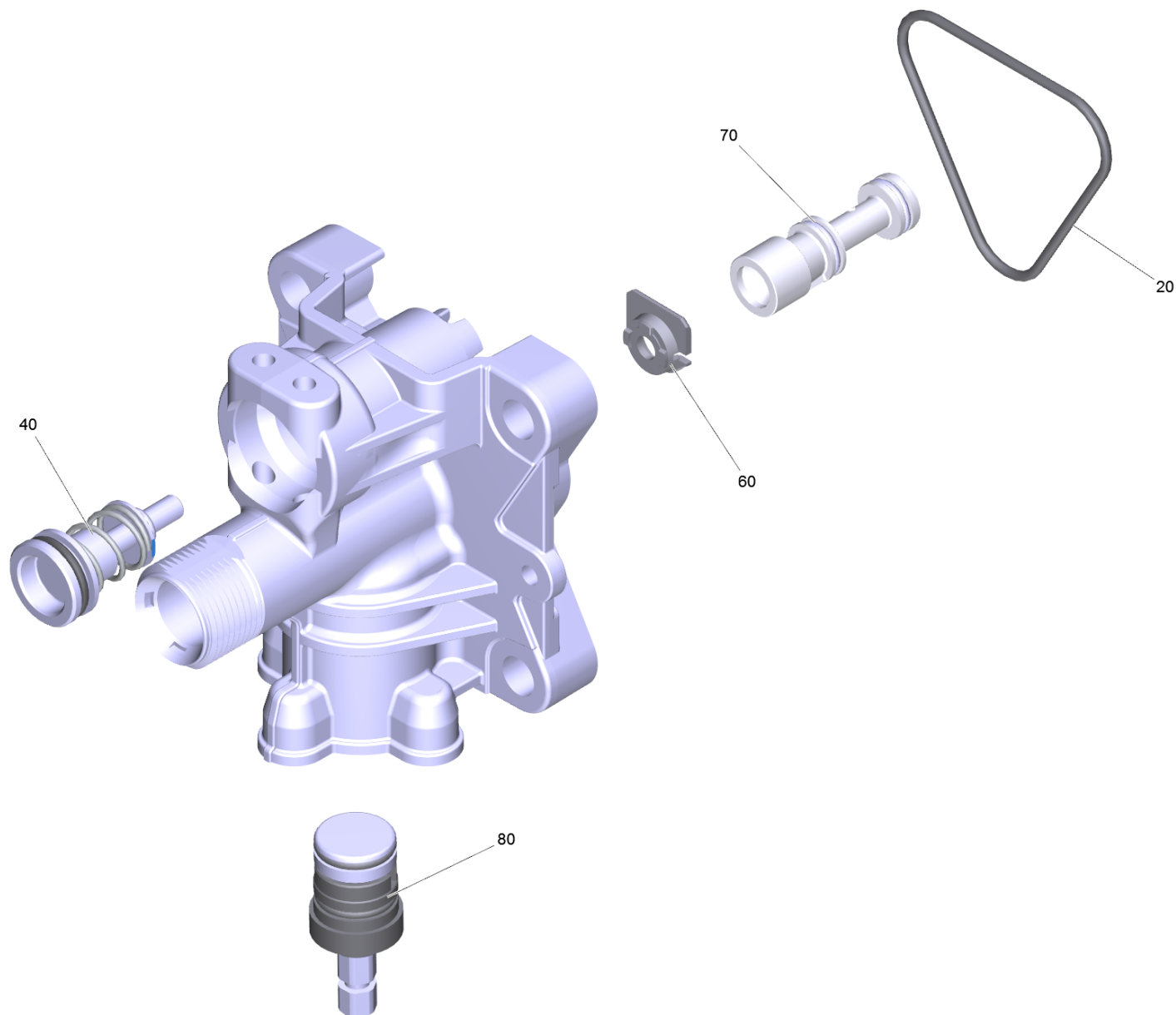
22 Housing

POS	Article no.	Description	Quantity	Unit
22	9.001-819.0	Cage complete	1.000	ST
21	6.465-031.0	Connection 3/4	1.000	ST
25	9.012-506.0	Connection complete	1.000	ST
	Item text1: 1.636-465.0 /-466.0 /			
3	9.037-320.0	Connection suction side	1.000	ST
	Item text1: 1.636-465.0 /-466.0 /			
10	7.306-151.0	Cylinder head screw M8x65 -8.8-A2E ISO4	4.000	ST
24	9.037-142.0	Distance holder	1.000	ST
4	5.731-598.0	Fine filter long	1.000	ST
14	9.081-424.0	Form seal	1.000	ST
17	6.362-875.0	Grooved ring	3.000	ST
8	4.025-894.0	High-pressure outlet complete K5.91M	1.000	ST
20	9.001-276.0	Joining piece	1.000	ST
16	9.001-110.0	Moulded part complete	1.000	ST
23	4.769-035.0	Nozzle insert	1.000	ST
9	6.362-151.0	O-Ring d. 10 x 2 NBR 70	1.000	ST
6	9.081-417.0	O-Ring d.20 x 2	1.000	ST
26	9.081-417.0	O-Ring d.20 x 2	1.000	ST
7	9.002-164.0	plastic by pass (spare)	1.000	ST
15	9.002-456.0	Pump head Alu FC ric	1.000	ST
5	9.086-199.0	Screw M6x16	3.000	ST
13	9.001-800.0	Spare part set control head	1.000	ST
11	9.001-277.0	Spare parts set chemistry	1.000	ST
18	9.037-059.0	Support ring	3.000	ST
19	9.001-275.0	Valve set	1.000	ST



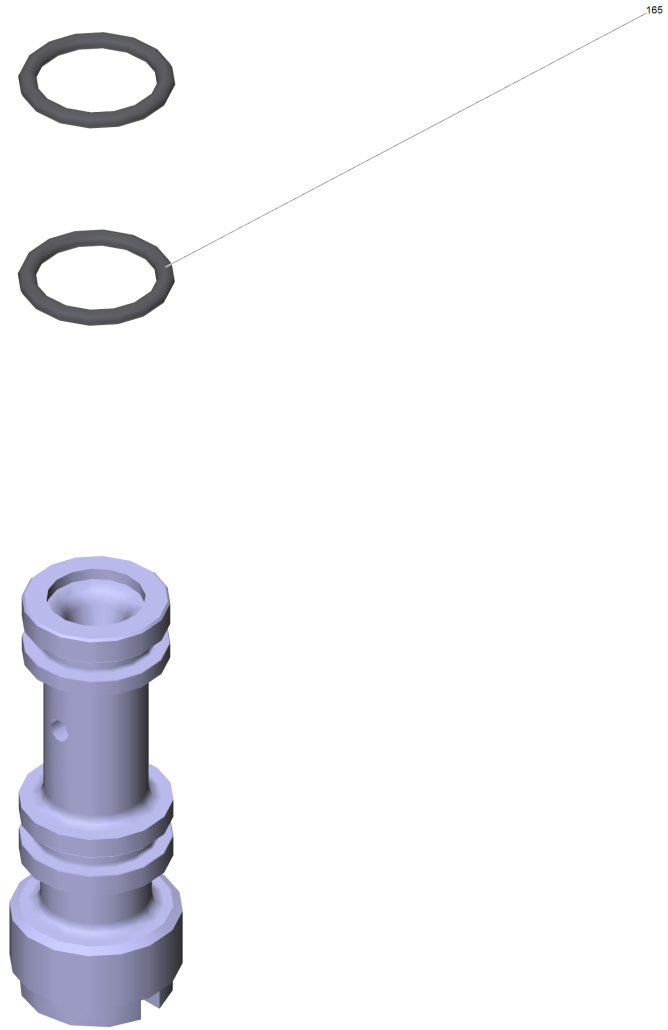
8 High-pressure outlet complete K5.91M (4.025-894.0)

POS	Article no.	Description	Quantity	Unit
4	6.362-151.0	O-Ring d. 10 x 2 NBR 70	1.000	ST



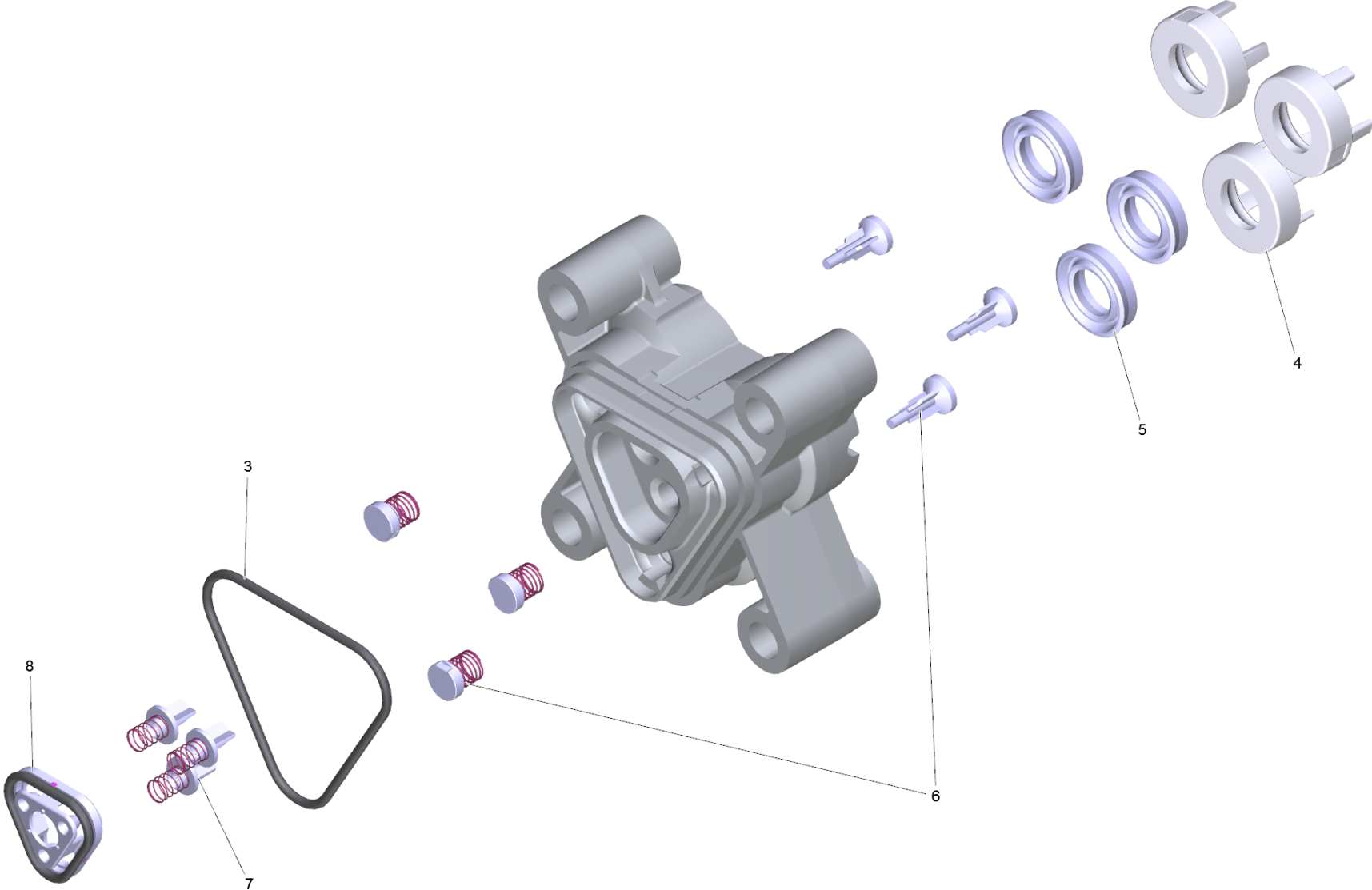
13 Spare part set control head (9.001-800.0)

POS	Article no.	Description	Quantity	Unit
40	9.001-291.0	Control piston set replacement	1.000	ST
60	9.037-142.0	Distance holder	1.000	ST
20	9.081-424.0	Form seal	1.000	ST
70	4.769-035.0	Nozzle insert	1.000	ST
80	9.002-164.0	plastic by pass (spare)	1.000	ST



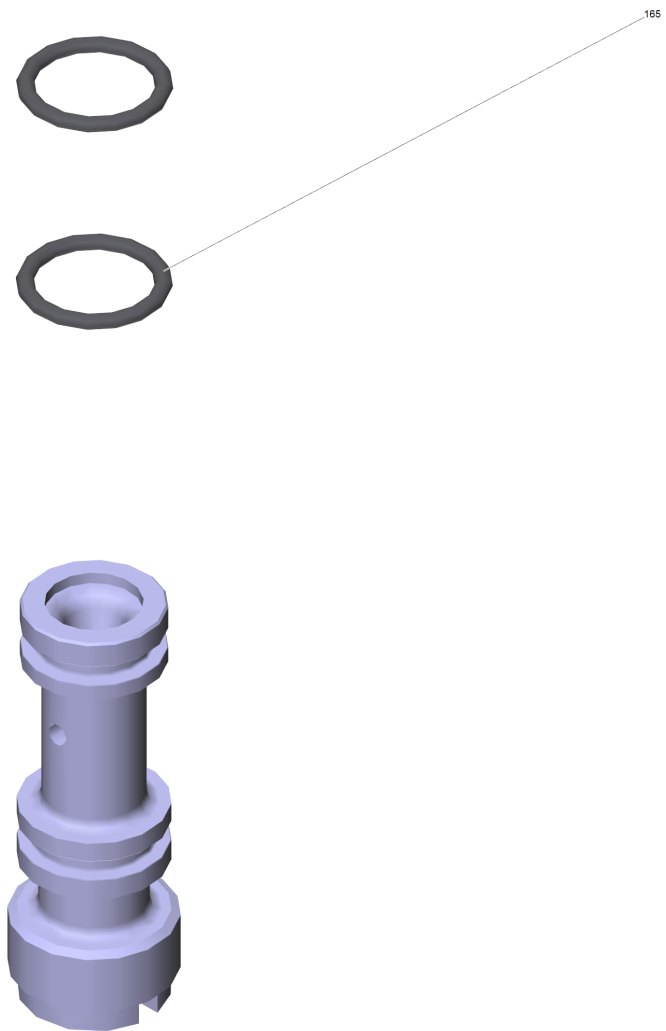
70 Nozzle insert (4.769-035.0)

POS	Article no.	Description	Quantity	Unit
165	6.362-384.0	O-Ring seal 9x1,5 - NBR 70	2.000	ST



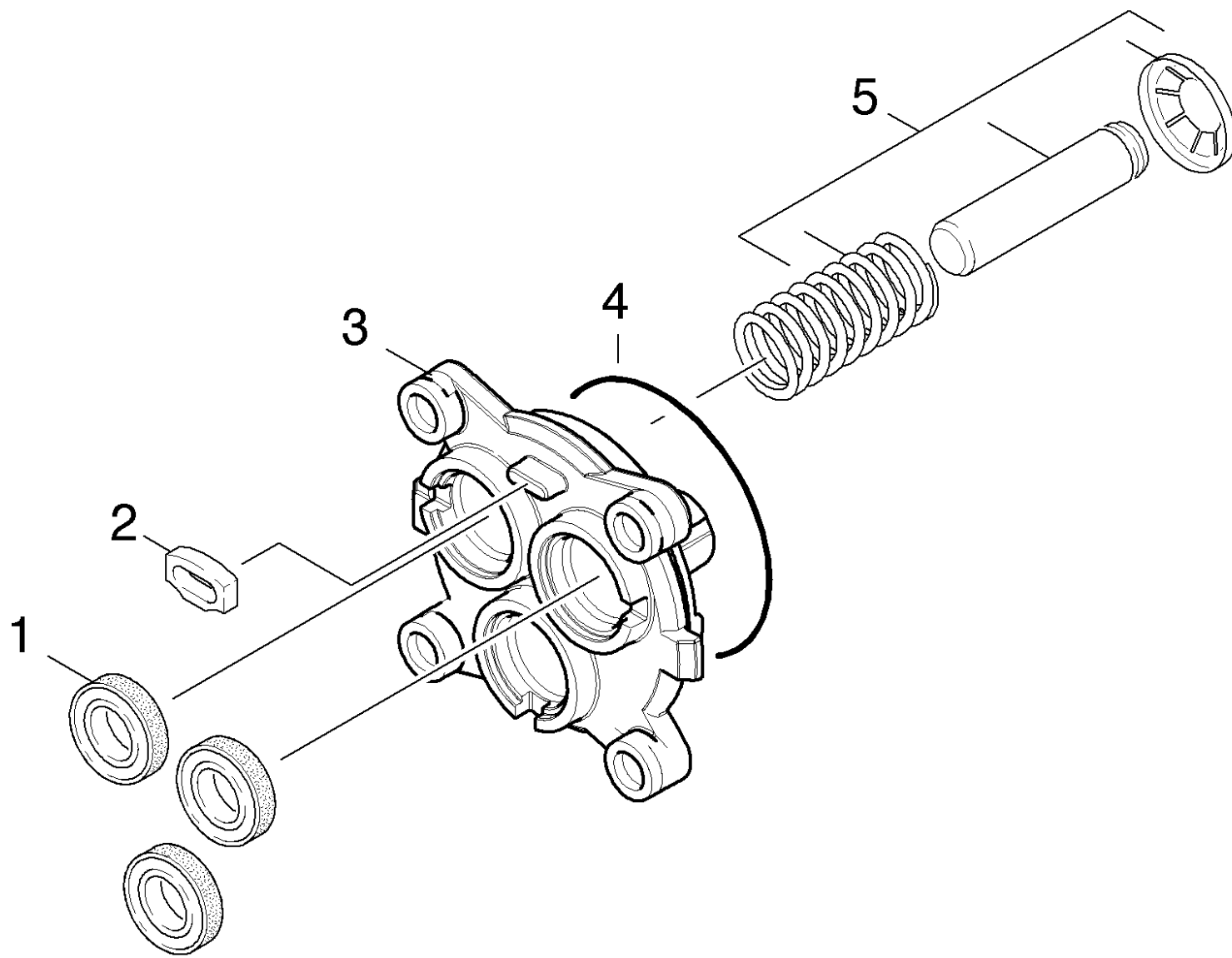
15 Pump head Alu FC ric (9.002-456.0)

POS	Article no.	Description	Quantity	Unit
3	9.081-424.0	Form seal	1.000	ST
5	6.362-875.0	Grooved ring	3.000	ST
8	9.001-276.0	Joining piece	1.000	ST
6	9.001-110.0	Moulded part complete	1.000	ST
4	9.038-428.0	Supportring 6,7 mm	3.000	ST
7	9.001-275.0	Valve set	1.000	ST



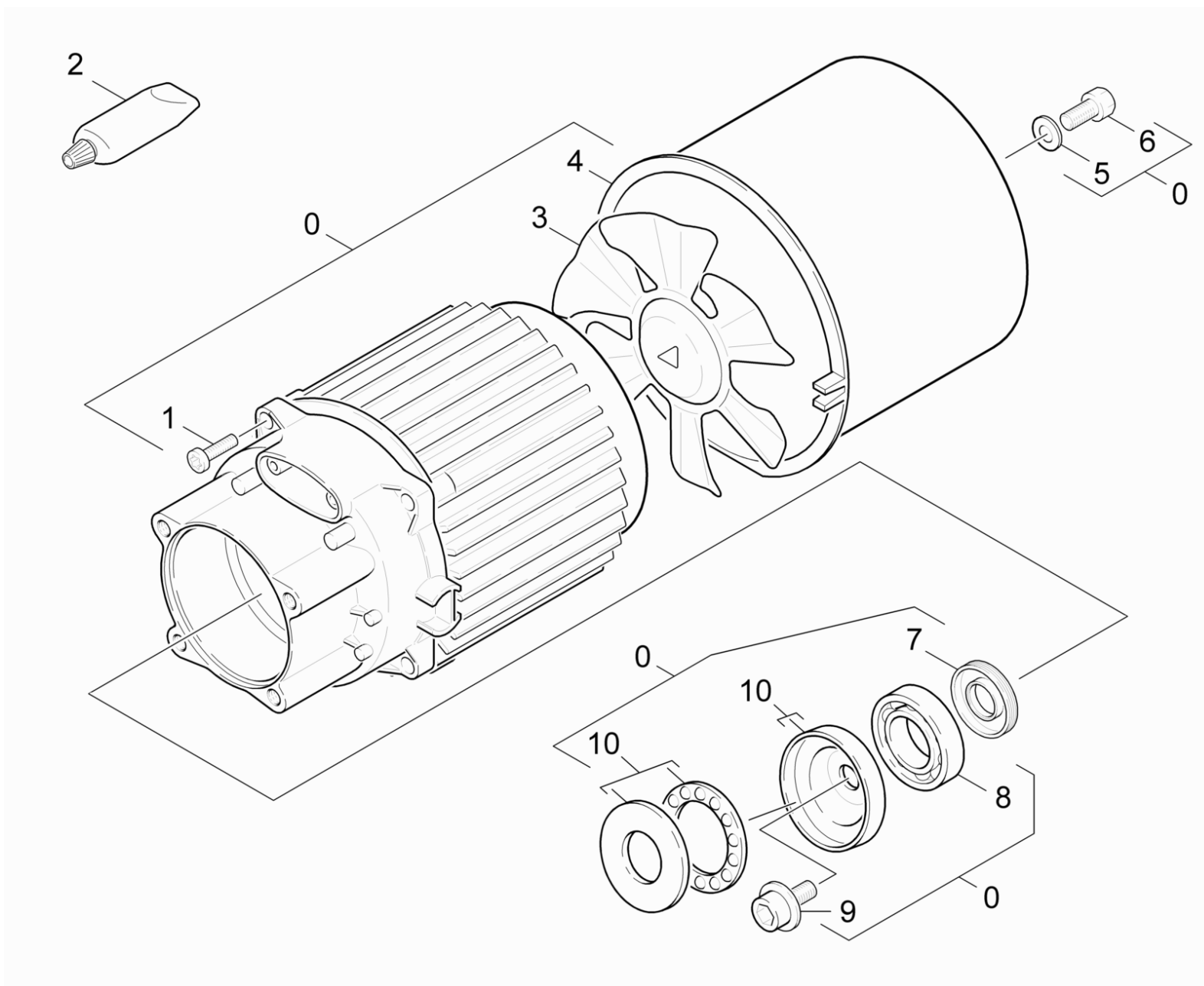
23 Nozzle insert (4.769-035.0)

POS	Article no.	Description	Quantity	Unit
165	6.362-384.0	O-Ring seal 9x1,5 - NBR 70	2.000	ST



23 Thrust guidance

POS	Article no.	Description	Quantity	Unit
1	6.964-026.0	Grooved ring	3.000	ST
4	9.080-426.0	O-Ring seal 62x3 NBR 70Shore	1.000	ST
5	9.001-927.0	Piston complete	3.000	ST
3	9.042-151.0	Pistons guide pump K5 FC machined	1.000	ST
2	9.048-071.0	Spacer - Seal	1.000	ST

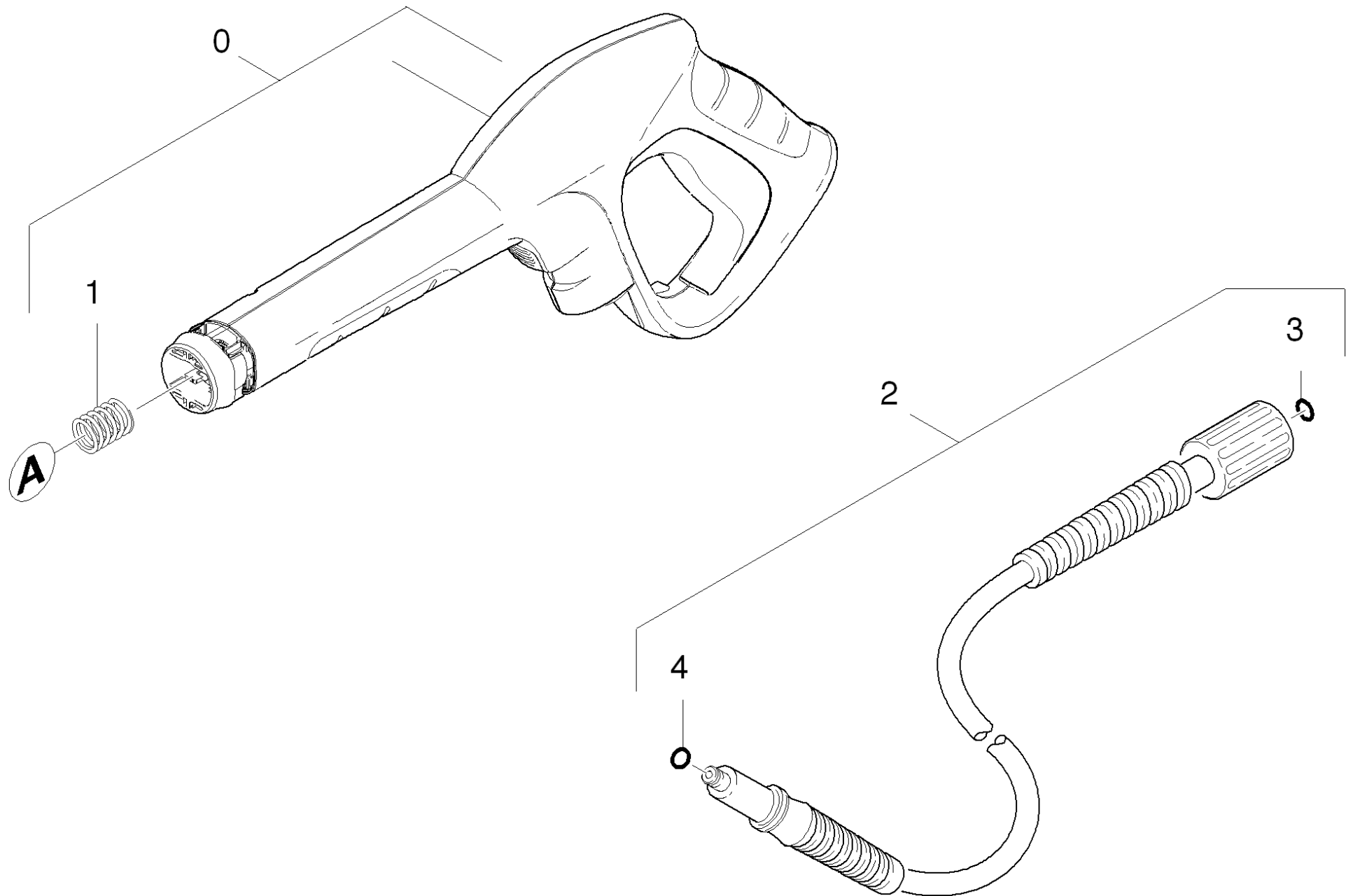


30 Motor

POS	Article no.	Description	Quantity	Unit
8	7.401-010.0	Ball bearing 6303 -St DIN 625	1.000	ST
3	9.039-188.0	Blower wheel	1.000	ST
6	7.304-395.0	Hexagonal head screw M8x16-8.8-A2E ISO	1.000	ST
4	6.964-090.0	Housing blower	1.000	ST
0	9.001-889.0	Motor replacement 9012-5550	1.000	ST
	Item text1: 1.636-460.0 /-461.0 /-462.0 /-463.0 /			
	Item text2: -464.0 /-467.0 /-468.0			
7	9.078-007.0	Rotary shaft seal 17x35x5	1.000	ST
1	9.086-185.0	Screw M 5x20	4.000	ST
5	7.312-233.0	Serrated lock washer A8,4-FSt-A3E DIN67	1.000	ST
2	6.964-092.0	Viscous oil 50ml	1.000	ST
10	9.001-880.0	Wobble plate complete 11°45'	1.000	ST
9	9.086-169.0	Wobble plate screw M8x16	1.000	ST

40 Accessories

POS	Description	Quantity	Unit	Remark
41	Hand trigger gun	1.000	ST	
42	Jet pipe	1.000	ST	
45	Pipe cleaning set	1.000	ST	
44	Power Brush	1.000	ST	
43	Surface cleaner	1.000	ST	T 400



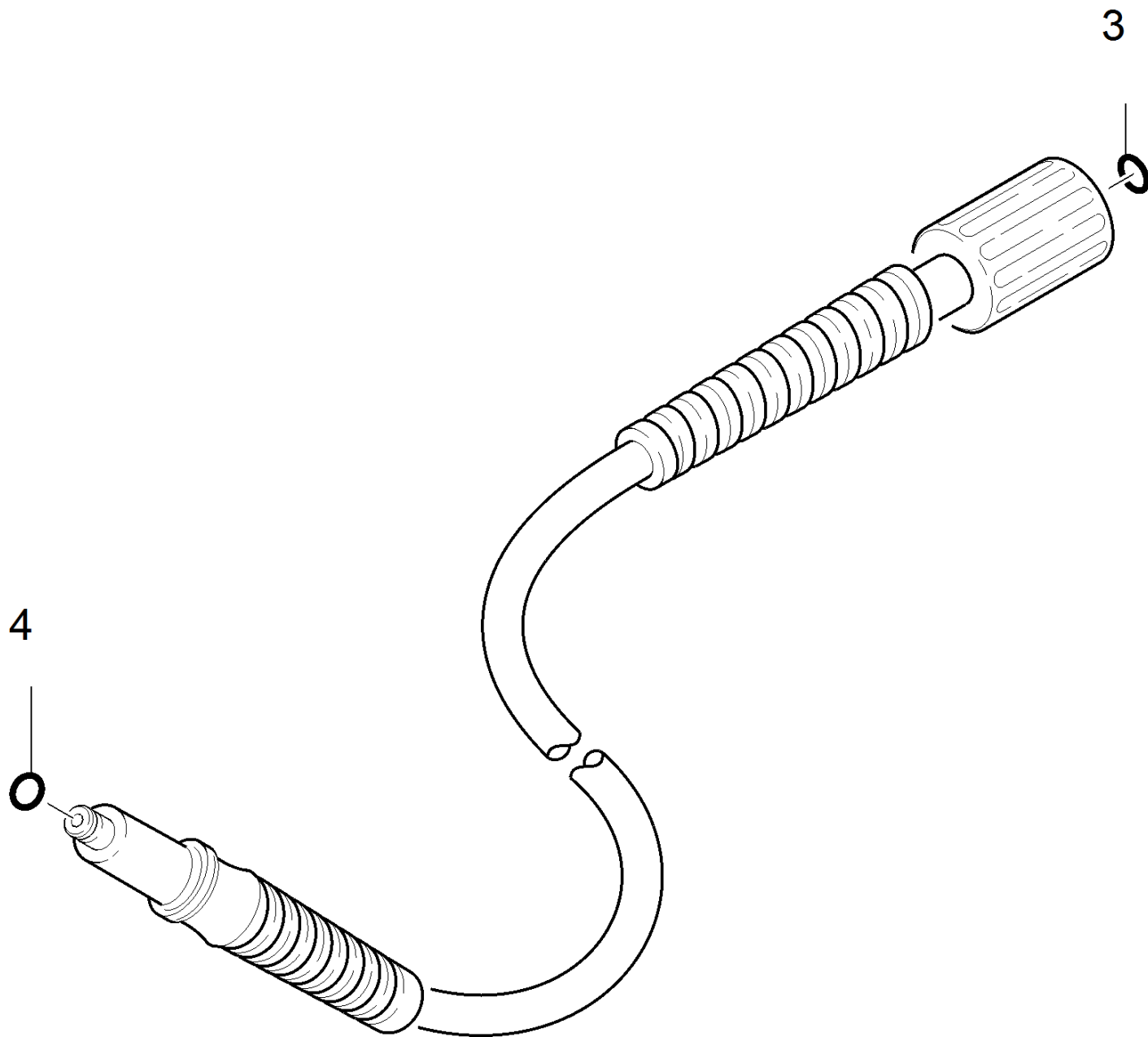
41 Hand trigger gun

POS	Article no.	Description	Quantity	Unit
0	2.642-889.0	G 180 Q Trigger gun Quick Connect	1.000	ST
2	2.641-706.0	High pressure hose 16MPa/9m 60°C, verp.	1.000	ST
4	6.363-410.0	O-Ring seal 5,7x1,78 NBR 90Shore	1.000	ST
1	5.332-464.0	Pressure spring	1.000	ST
3	2.880-990.0	Spare part set O-Ring 5x -Kaercher	1.000	ST



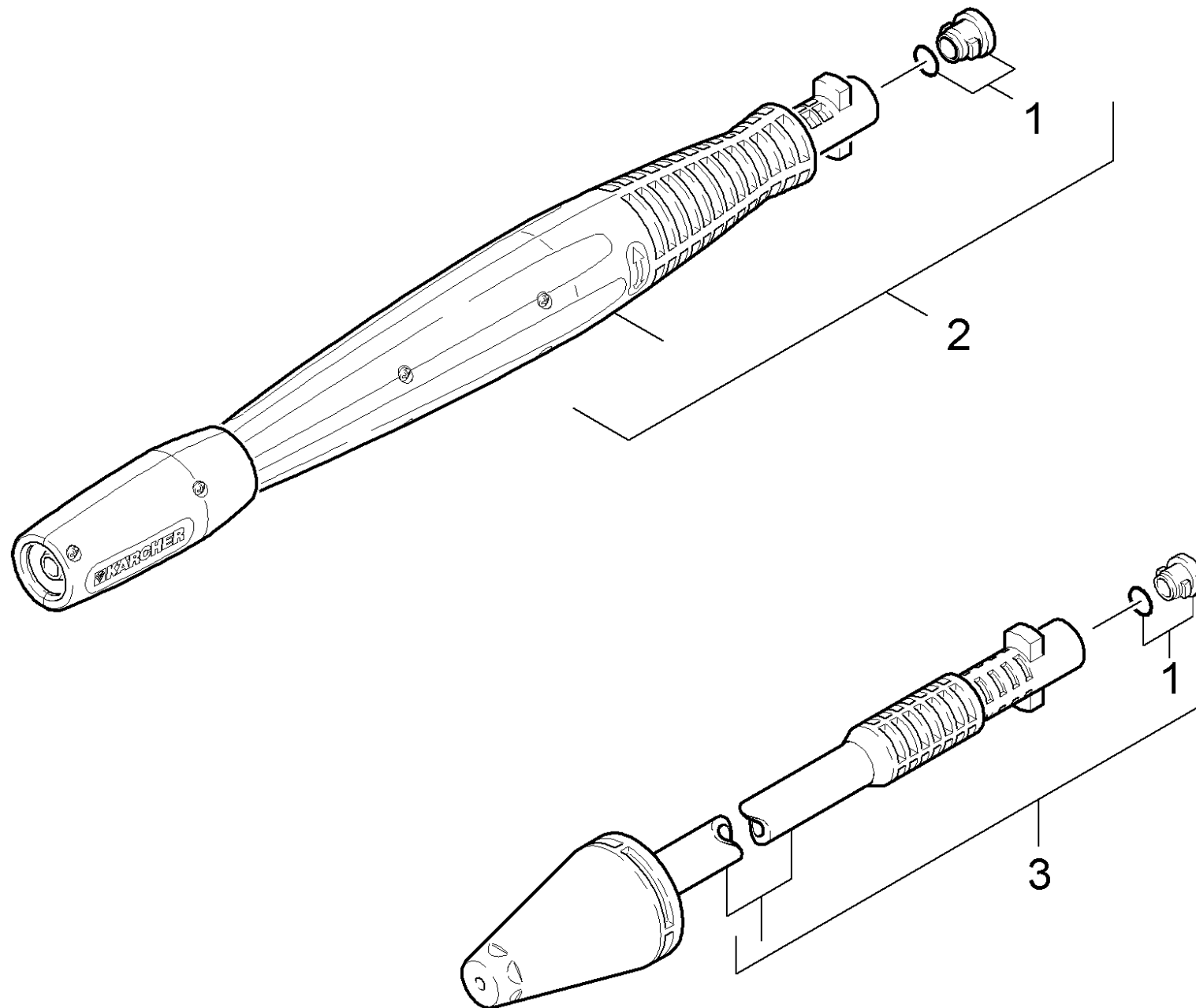
G 180 Q Trigger gun Quick Connect (2.642-889.0)

POS	Article no.	Description	Quantity	Unit
1	5.332-464.0	Pressure spring	1.000	ST



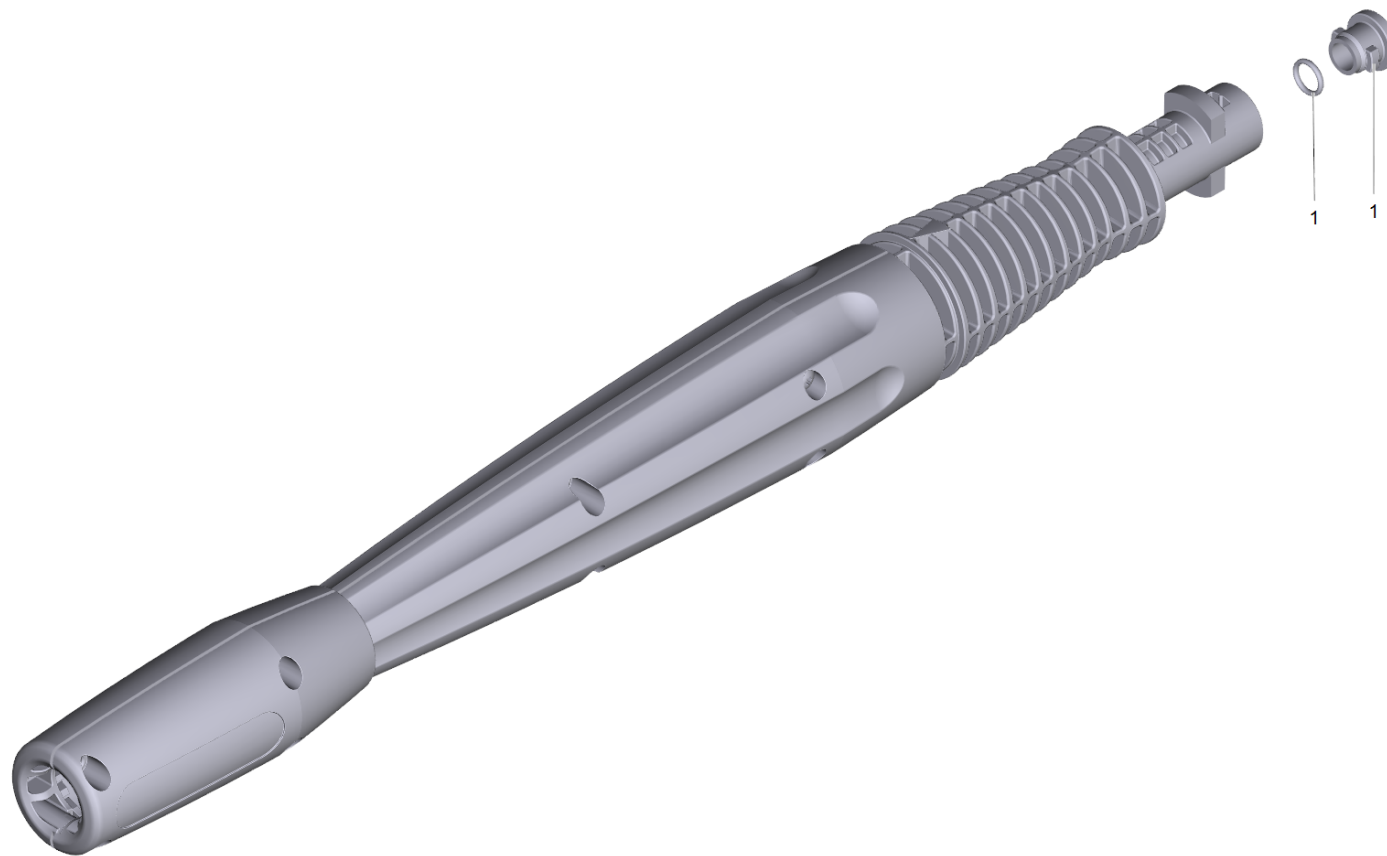
2 High pressure hose 16MPa/9m 60°C, verp. (2.641-706.0)

POS	Article no.	Description	Quantity	Unit
4	6.363-410.0	O-Ring seal 5,7x1,78 NBR 90Shore	1.000	ST
3	2.880-990.0	Spare part set O-Ring 5x -Kaercher	1.000	ST



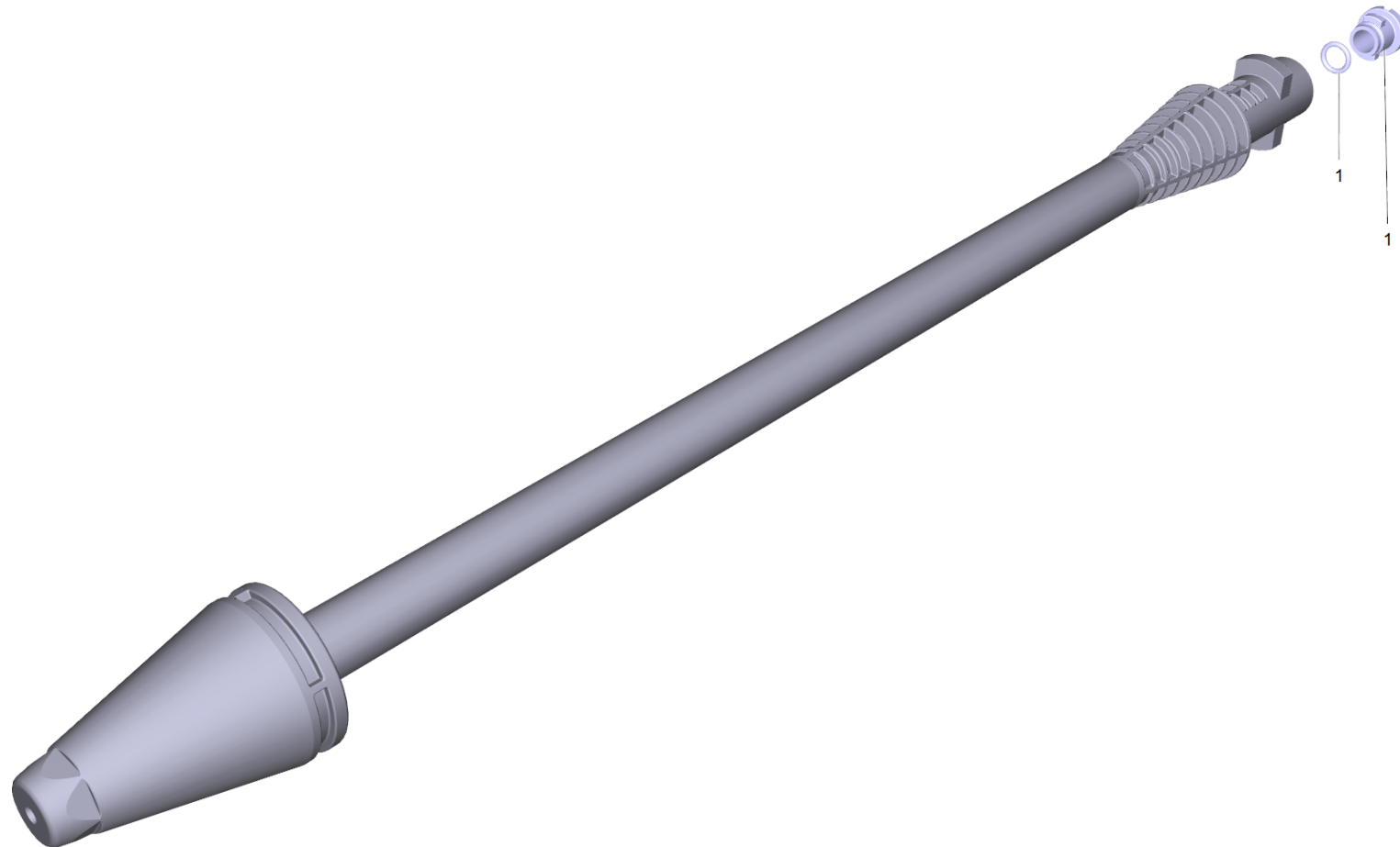
42 Jet pipe

POS	Article no.	Description	Quantity	Unit
3	2.643-243.0	DB 160 rotor nozzle	1.000	ST
3	4.764-281.0	Dirt blaster 031 St - CEM 14,5MPa	1.000	ST
	Item text1: 1.636-460.0 / -462.0			
1	2.640-729.0	O-Ring seal set	2.000	ST
2	4.760-527.0	VPS K5 0287	1.000	ST



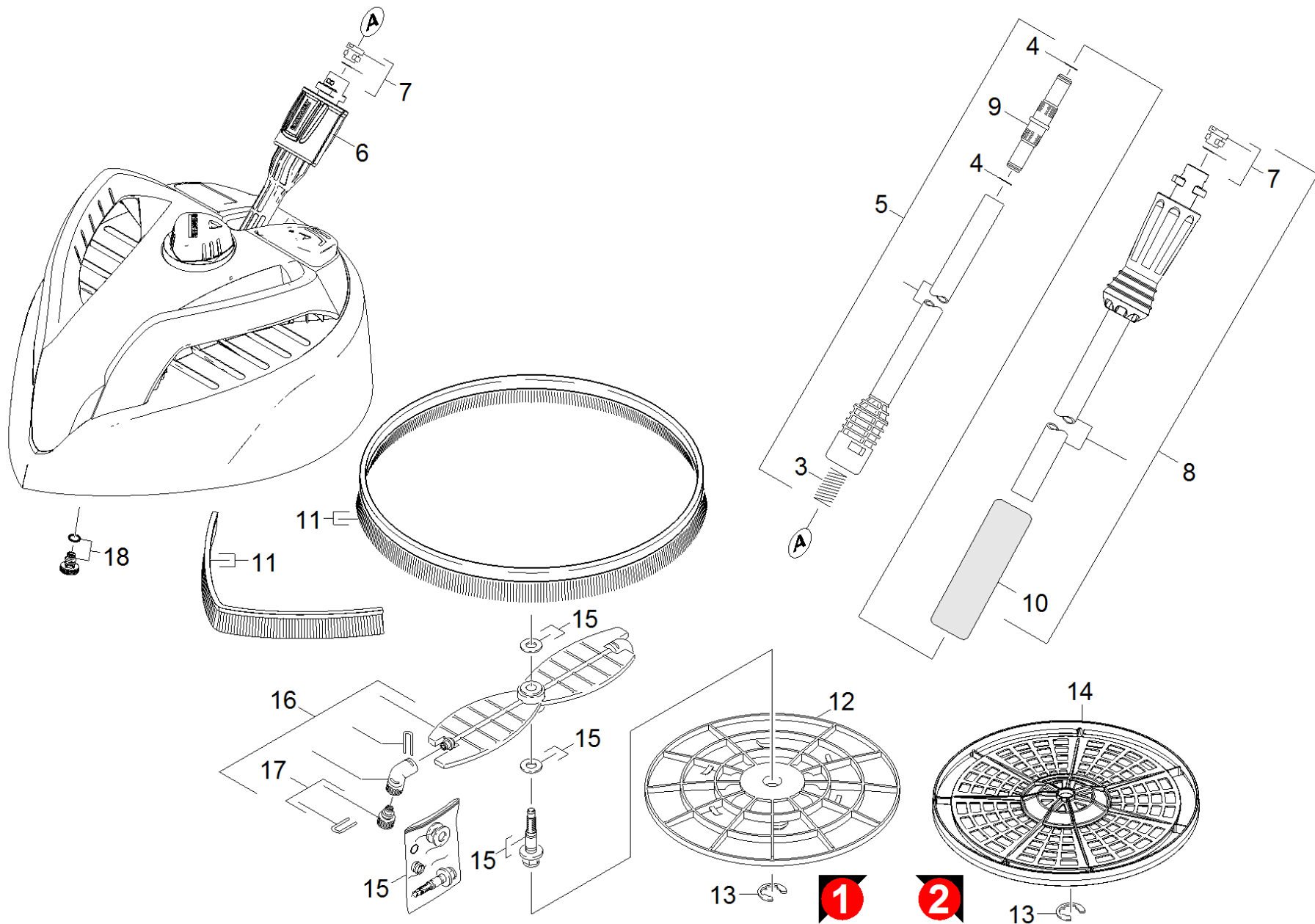
2 VPS K5 0287 (4.760-527.0)

POS	Article no.	Description	Quantity	Unit
1	2.640-729.0	O-Ring seal set	1.000	ST



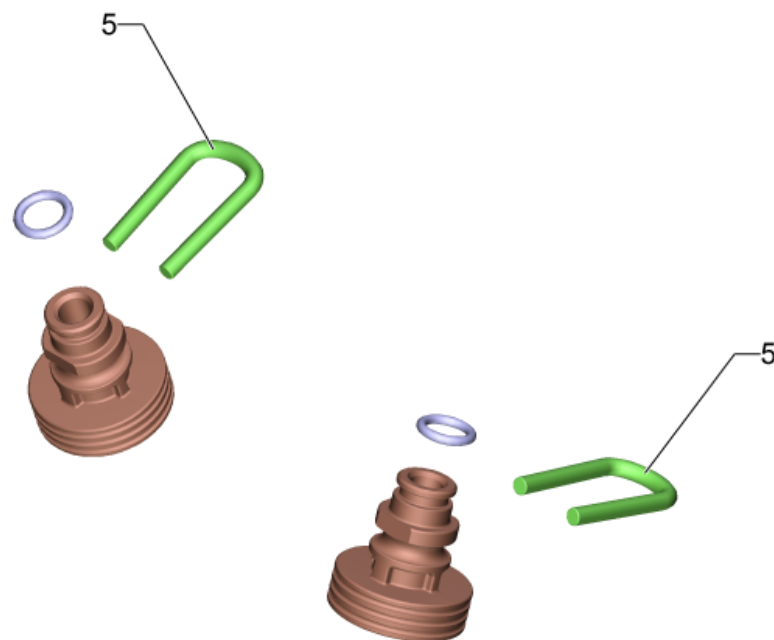
3 Dirt blaster 031 St - CEM 14,5MPa (4.764-281.0)




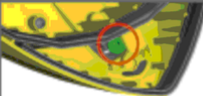




POS	Article no.	Description	Quantity	Unit
1	2.640-729.0	O-Ring seal set	1.000	ST









43 Surface cleaner

POS	Article no.	Description	Quantity	Unit	Foot note text
9	5.471-105.0	Coupling element jet pipe extension	1.000	ST	
14	5.394-873.0	Grate T 400 Plus	1.000	ST	
10	6.321-160.0	Handhold foamed material	1.000	ST	
5	4.760-495.0	Jet pipe	1.000	ST	
8	4.760-688.0	Jet pipe PS	1.000	ST	
13	7.343-206.0	Lock washer 12-2.1030 DIN 6799	1.000	ST	
18	4.764-190.0	Nozzle kpl. 75047	1.000	ST	
6	5.310-160.0	Nut Kaercher	1.000	ST	
4	6.363-615.0	O-Ring seal 11 x 1,5 -NBR70	1.000	ST	
7	2.640-729.0	O-Ring seal set	2.000	ST	
3	5.332-464.0	Pressure spring	1.000	ST	
12	5.394-661.0	Protection part	1.000	ST	
15	2.885-047.0	Set of gaskets T 400	1.000	ST	
11	2.885-097.0	Spare part set Bürsten T 400	1.000	ST	
16	2.885-048.0	Spare part set Rotor T 400	1.000	ST	
17	2.643-338.0	Spare parts nozzles T-Racer	1.000	ST	YELLOW
17	2.643-338.0	Spare parts nozzles T-Racer	1.000	ST	GREY



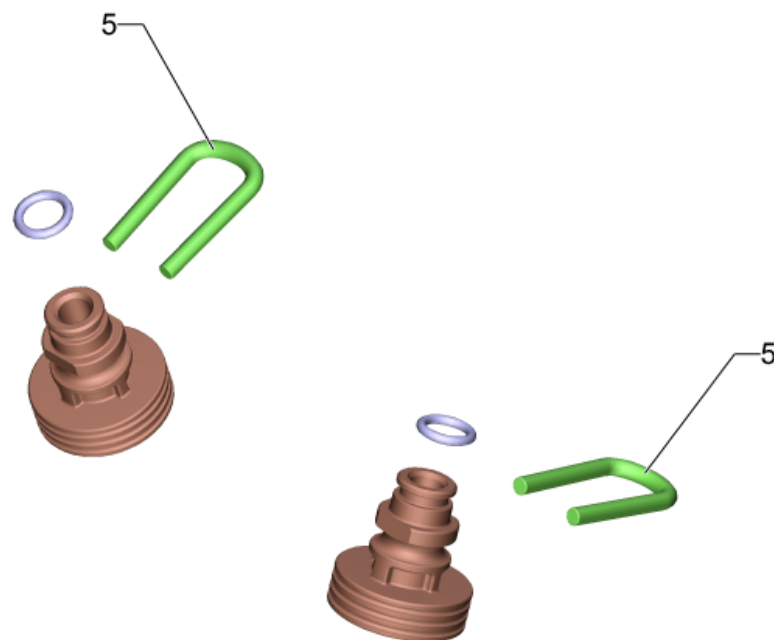
T 50, T 70, T 80, T 100 T 150, T 200, T 250, T 300, T 400, T 450, T 550	K 2 - K 5		
	K 6 - K 7		
T 400, T 450 T 550			
T 200, T 250	K 6 - K 7		
T 350 Gas			




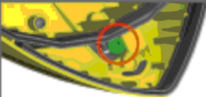




	K 3 - K 5	
	K 6 - K 7	




	K 2	
	K 3 - K 5	

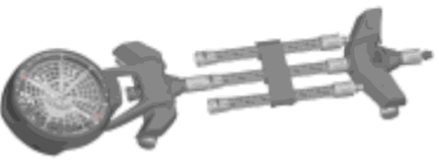


17 Spare parts nozzles T-Racer (2.643-338.0)

POS	Article no.	Description	Quantity	Unit	Remark	Foot note text
5	5.037-151.0	Clamp	2.000	ST		
1	4.764-155.0	Nozzle complete 15015	1.000	ST	<13 MPa (<130 bar)	GREY
		Item text1: 015				
2	4.764-156.0	Nozzle complete 15020	1.000	ST	13 MPa (130 bar) - 16 MPa (160 bar)	YELLOW
		Item text1: 020				
3		Nozzle complete 15027	1.000	ST		BLACK
		Item text1: 027				
4	4.764-190.0	Nozzle kpl. 75047	1.000	ST		GREEN
		Item text1: 047				



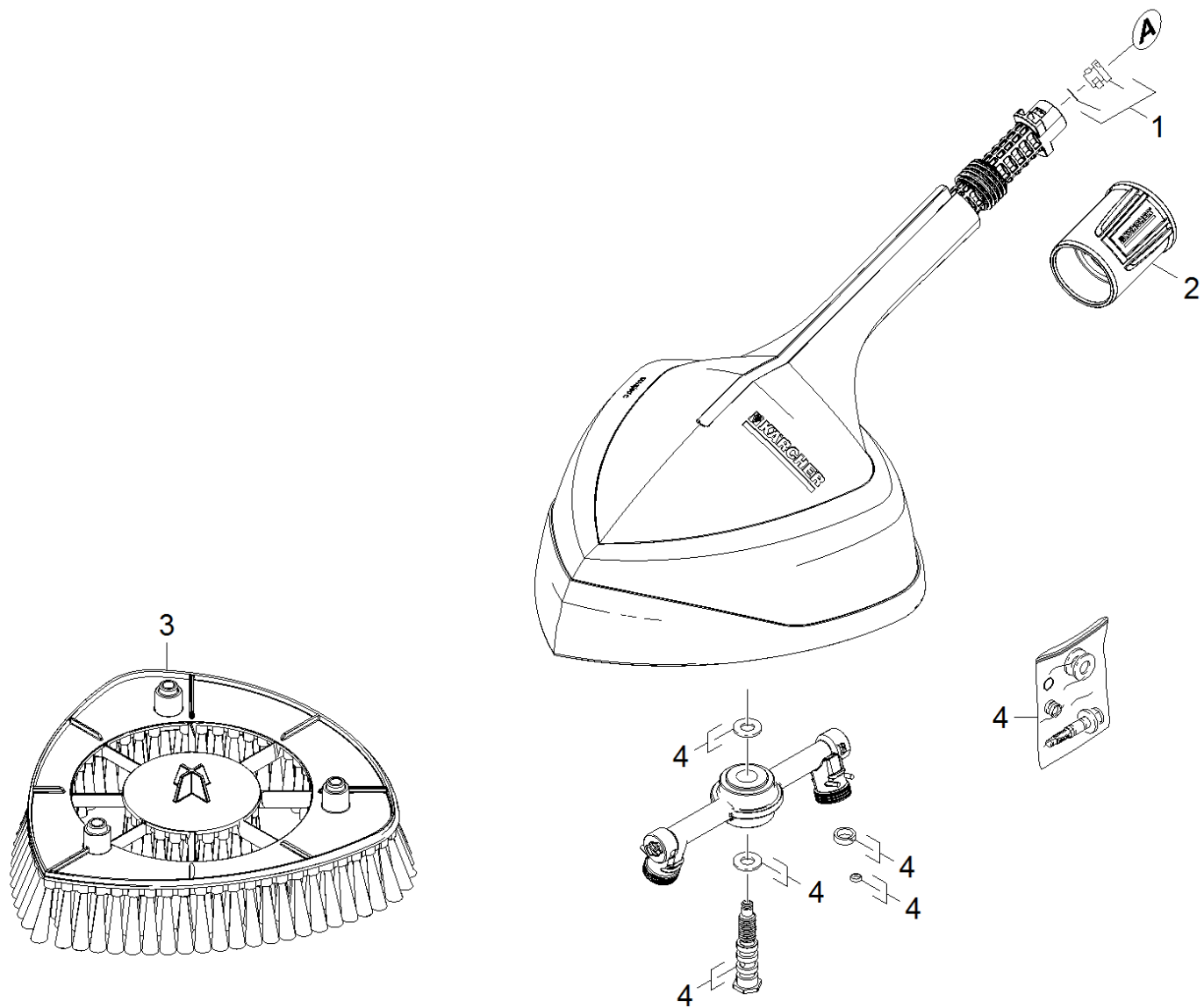
T 50, T 70, T 80, T 100 T 150, T 200, T 250, T 300, T 400, T 450, T 550	K 2 - K 5		
	K 6 - K 7		
T 400, T 450 T 550			
T 200, T 250	K 6 - K 7		
T 350 Gas			

	K 3 - K 5	
	K 6 - K 7	

	K 2	
	K 3 - K 5	

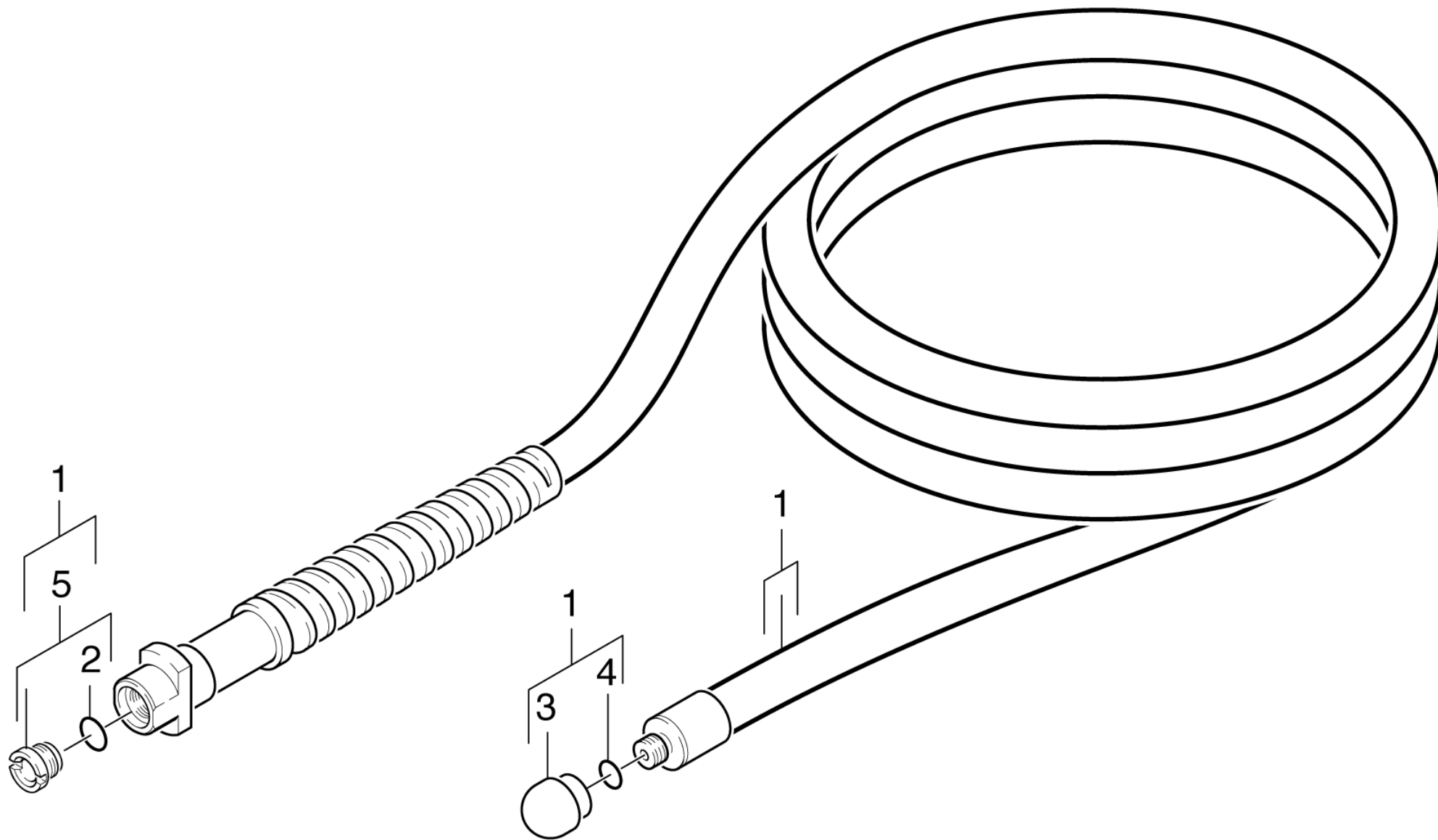
17 Spare parts nozzles T-Racer (2.643-338.0)

POS	Article no.	Description	Quantity	Unit	Remark	Foot note text
5	5.037-151.0	Clamp	2.000	ST		
1	4.764-155.0	Nozzle complete 15015	1.000	ST	<13 MPa (<130 bar)	GREY
		Item text1: 015				
2	4.764-156.0	Nozzle complete 15020	1.000	ST	13 MPa (130 bar) - 16 MPa (160 bar)	YELLOW
		Item text1: 020				
3		Nozzle complete 15027	1.000	ST		BLACK
		Item text1: 027				
4	4.764-190.0	Nozzle kpl. 75047	1.000	ST		GREEN
		Item text1: 047				



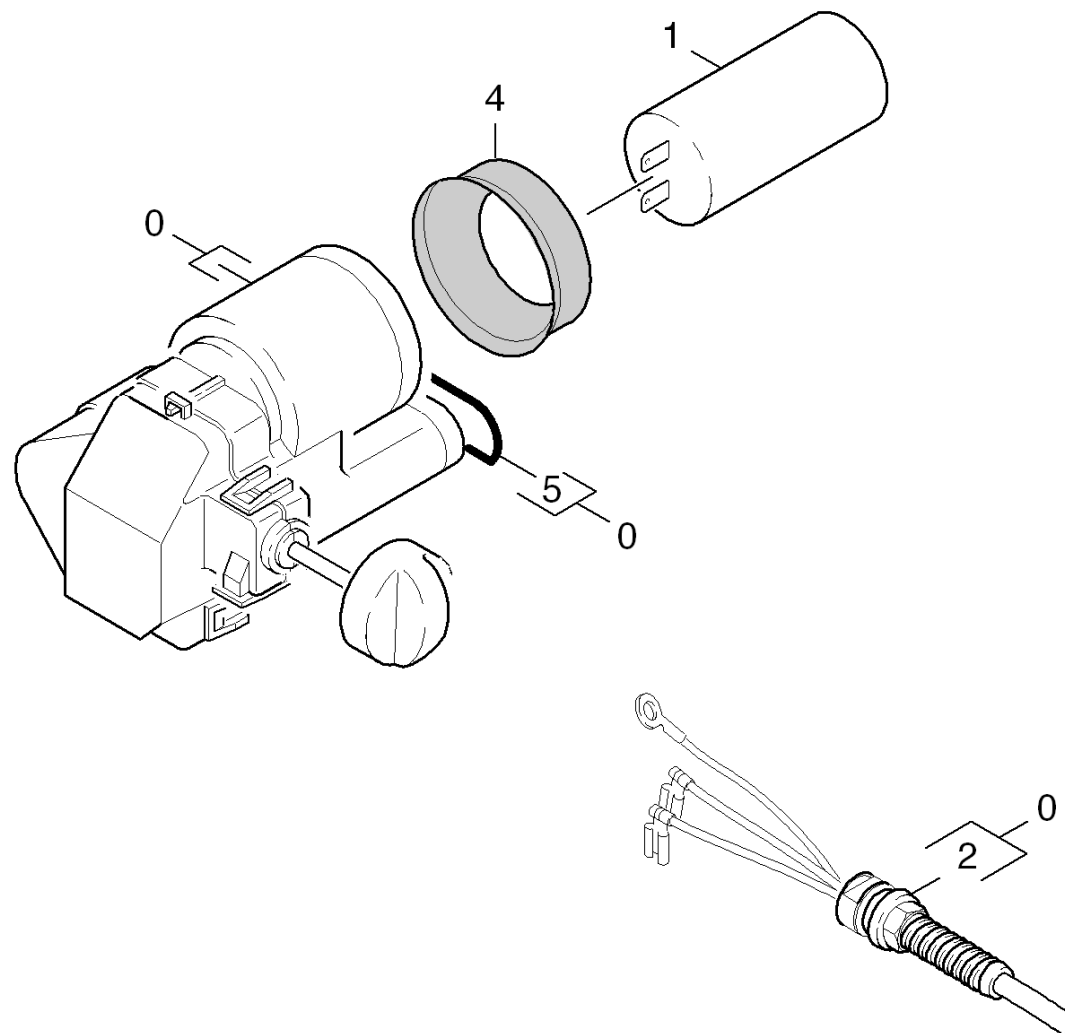
44 Power Brush

POS	Article no.	Description	Quantity	Unit
3	5.762-404.0	Brush beam Power-Brush	1.000	ST
2	5.310-160.0	Nut Kaercher	1.000	ST
1	2.640-729.0	O-Ring seal set	1.000	ST
4	2.883-994.0	Spare part set set of gaskets neutrally	1.000	ST



45 Pipe cleaning set

POS	Article no.	Description	Quantity	Unit
3	5.763-022.0	Nozzle Kärcher	1.000	ST
2	6.362-182.0	O-Ring seal 7,65x1,78 - NBR 90	1.000	ST
4	6.362-388.0	O-Ring seal 8,0x1,5 -EPDM 70	1.000	ST
5	2.883-112.0	Spare part set screw plug	1.000	ST
1	7.777-999.0	Stockpiling discontinued	1.000	ST



50 Electric box

POS	Article no.	Description	Quantity	Unit
2	9.084-146.0	Cable with plug *AU	1.000	ST
	Item text1: 1.636-465.0 /-466.0 /			
2	9.084-139.0	Cable with plug *EU	1.000	ST
	Item text1: 1.636-460.0 /-461.0 /-462.0 /-463.0 /			
	Item text2: -467.0 /-468.0			
2	9.084-290.0	Cable with plug 3G1 *CH	1.000	ST
	Item text1: 1.636-464.0			
1	9.085-013.0	Capacitor 25mF	1.000	ST
0	9.001-678.0	Electric box	1.000	ST
	Item text1: 1.636-464.0			
0	9.001-607.0	Electric box	1.000	ST
	Item text1: 1.636-460.0 /-461.0 /-462.0 /-463.0 /			
	Item text2: -467.0 /-468.0			
0	9.001-703.0	Electric box K5.55	1.000	ST
	Item text1: 1.636-465.0 /-466.0 /			
4	9.080-465.0	Joint ring capacitor d.45, 70 Shore	1.000	ST
5	9.081-417.0	O-Ring d.20 x 2	1.000	ST